

US00D865759S

(12) **United States Design Patent**
Haranaka et al.

(10) **Patent No.:** **US D865,759 S**

(45) **Date of Patent:** **** Nov. 5, 2019**

(54) **WEARABLE INFORMATION TERMINAL**

8,345,412 B2 * 1/2013 Maravilla A45F 5/00
224/219

(71) Applicant: **Sharp Kabushiki Kaisha**, Sakai, Osaka
(JP)

D730,199 S * 5/2015 Gerard-Goddet D10/32
D736,652 S * 8/2015 Isaacs D10/32

(Continued)

(72) Inventors: **Akira Haranaka**, Saika (JP); **Tadahiko Saimen**, Sakai (JP)

FOREIGN PATENT DOCUMENTS

(73) Assignee: **Sharp Kabushiki Kaisha**, Sakai, Osaka
(JP)

EM 002606574-0001 1/2015
JP D1537085 11/2015
JP D1584098 8/2017

(**) Term: **15 Years**

OTHER PUBLICATIONS

(21) Appl. No.: **29/613,136**

Sharp Launches Softbank Hawks Smartwatch, posted Jul. 28, 2017, [retrieved Jul. 26, 2018]. Retrieved from Internet, <URL: https://www.fukuoka-now.com/en/news/sharp-launches-softbank-hawks-smartwatch/ >.*

(22) Filed: **Aug. 8, 2017**

(Continued)

(30) **Foreign Application Priority Data**

Feb. 28, 2017 (JP) 2017-003916

(51) **LOC (12) Cl.** **14-02**

(52) **U.S. Cl.**
USPC **D14/344**

(58) **Field of Classification Search**

USPC .. D14/138 R, 144, 341, 344, 358, 388, 218;
D10/30-39, 70, 98; D11/3, 4, 26, 93-94,
D11/78.1, 79, 86; D24/167, 169,
D24/186-187, 164

CPC A41D 1/002; A41D 19/0034; G06F 1/04;
G06F 1/08; G06F 1/10; G06F 1/14; G06F
1/1626; G06F 1/1628; G06F 1/163; G06F
1/1635; G06F 1/3203; G06Q 20/10;
G06Q 20/12; G06Q 20/108; G06Q
20/145; H04B 1/3833; H04B 1/385;
H04B 1/3888; H04M 1/02; H04M 1/03;
H04M 1/04; H04M 1/05; H04M 1/667;
H04M 1/6058; Y02B 60/1217

See application file for complete search history.

(56) **References Cited**

U.S. PATENT DOCUMENTS

D645,360 S * 9/2011 Kiser D10/32
D667,126 S * 9/2012 Cho D24/186

Primary Examiner — Barbara Fox

Assistant Examiner — Kristin E Reed

(74) *Attorney, Agent, or Firm* — Nixon & Vanderhye P.C.

(57) **CLAIM**

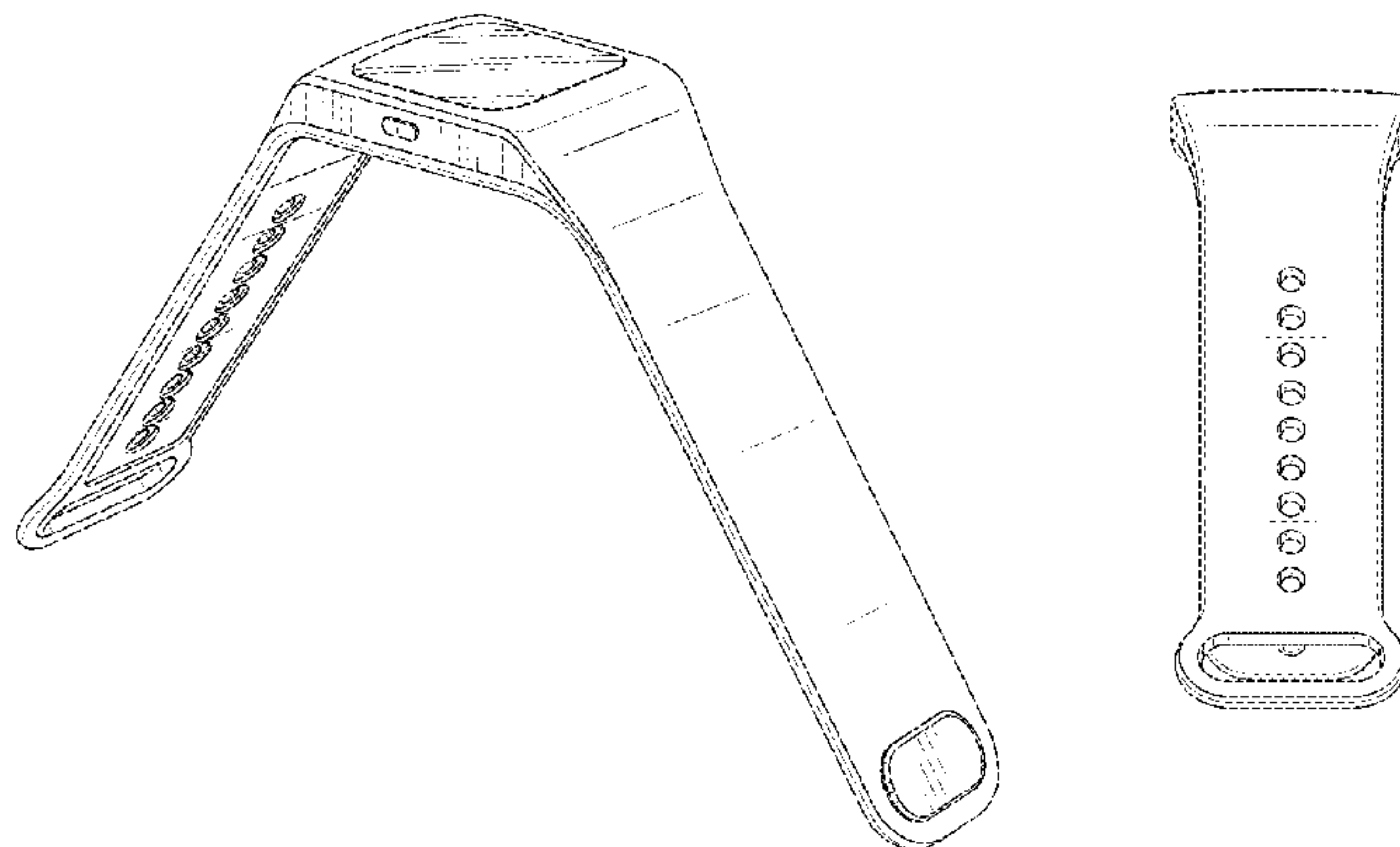
The ornamental design for a “wearable information terminal”, as shown and described.

DESCRIPTION

FIG. 1 is a front, right perspective view of a wearable information terminal in accordance with our new design; FIG. 2 is a front elevation view thereof; FIG. 3 is rear elevation view thereof; FIG. 4 is a top plan view thereof; FIG. 5 is a bottom plan view thereof; FIG. 6 is a right-side elevation view thereof; and, FIG. 7 is a left-side elevation view thereof.

The broken lines shown in the drawings depict portions of the wearable information terminal that form no part of the claimed design.

1 Claim, 5 Drawing Sheets



(56)

References Cited

U.S. PATENT DOCUMENTS

D751,067	S *	3/2016	Nousiainen	D10/38
D759,622	S *	6/2016	Dahlberg	D10/32
D762,210	S *	7/2016	Lee	D14/344
D768,858	S	10/2016	Komulainen	
9,851,753	B2 *	12/2017	Gao	G06F 1/163
9,859,937	B2 *	1/2018	Chien	G04G 17/04
9,918,541	B2 *	3/2018	Byun	A45F 5/02
9,993,200	B2 *	6/2018	Jeong	G06F 1/1684
10,019,067	B2 *	7/2018	Yoon	G06F 3/017
2012/0099406	A1 *	4/2012	Lau	G04G 21/08 368/69

OTHER PUBLICATIONS

Sony Smartwatch 3 Review: It's good to be square, posted Jan. 25, 2015, [retrieved Jul. 26, 2018]. Retrieved from Internet, <URL: <https://www.dailystar.co.uk/tech/reviews/421658/Sony-Smartwatch-3-Review-Best-Android-wear-device> >.*

English translations of Bibliographic data of the JP publications listed above (JP D1537085 and JP D2016-17535).

Design U.S. Appl. No. 29/613,140, filed Aug. 8, 2017, entitled "Core of a Wearable Information Terminal".

"DN-103, Evergreen, palm-sized and non-bulky multi-functional portable audio", BR BCN Retail, (<https://www.bcnretail.com>), News Date and Time Jul. 15, 2011 18:10.

* cited by examiner

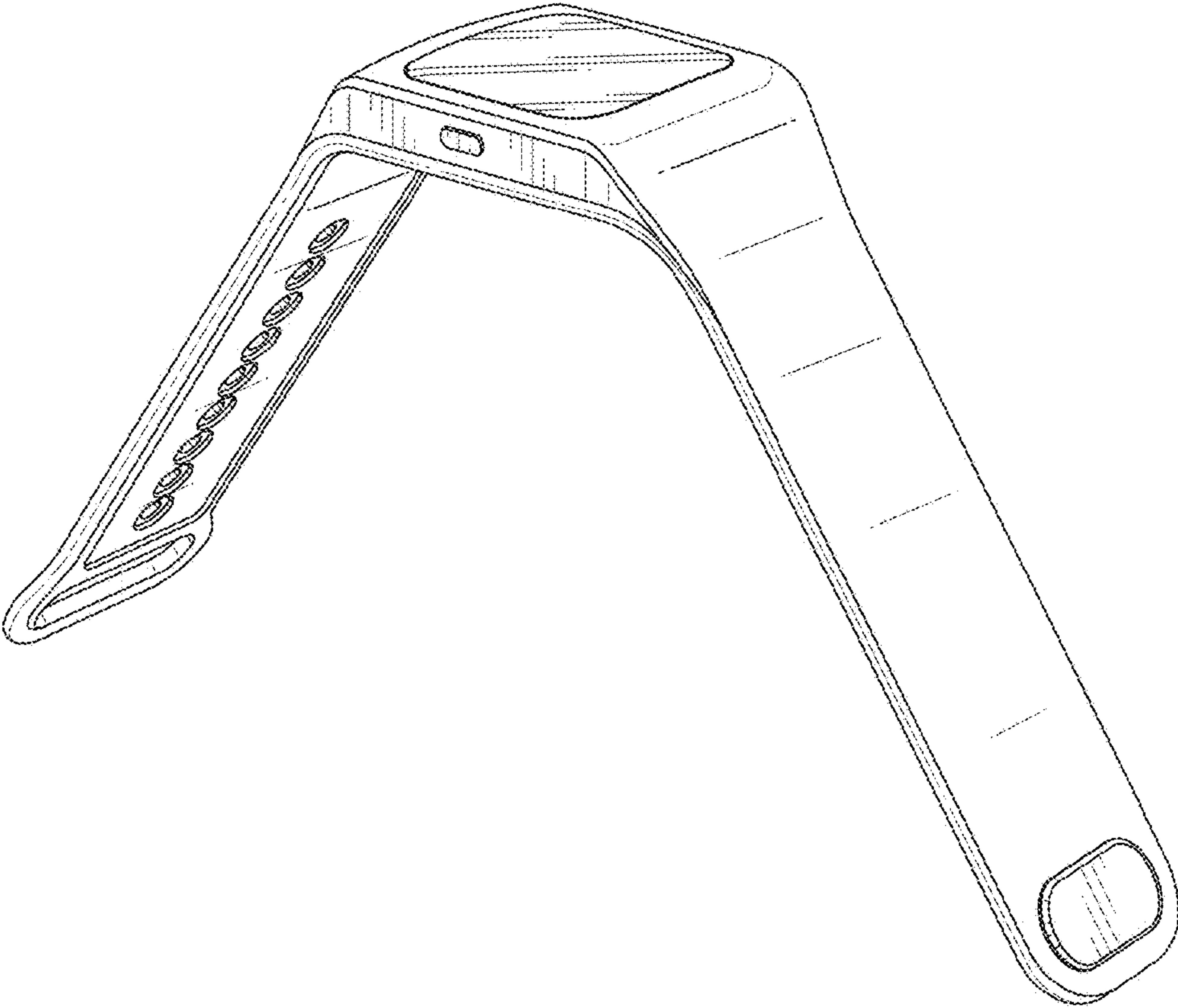


Fig. 1

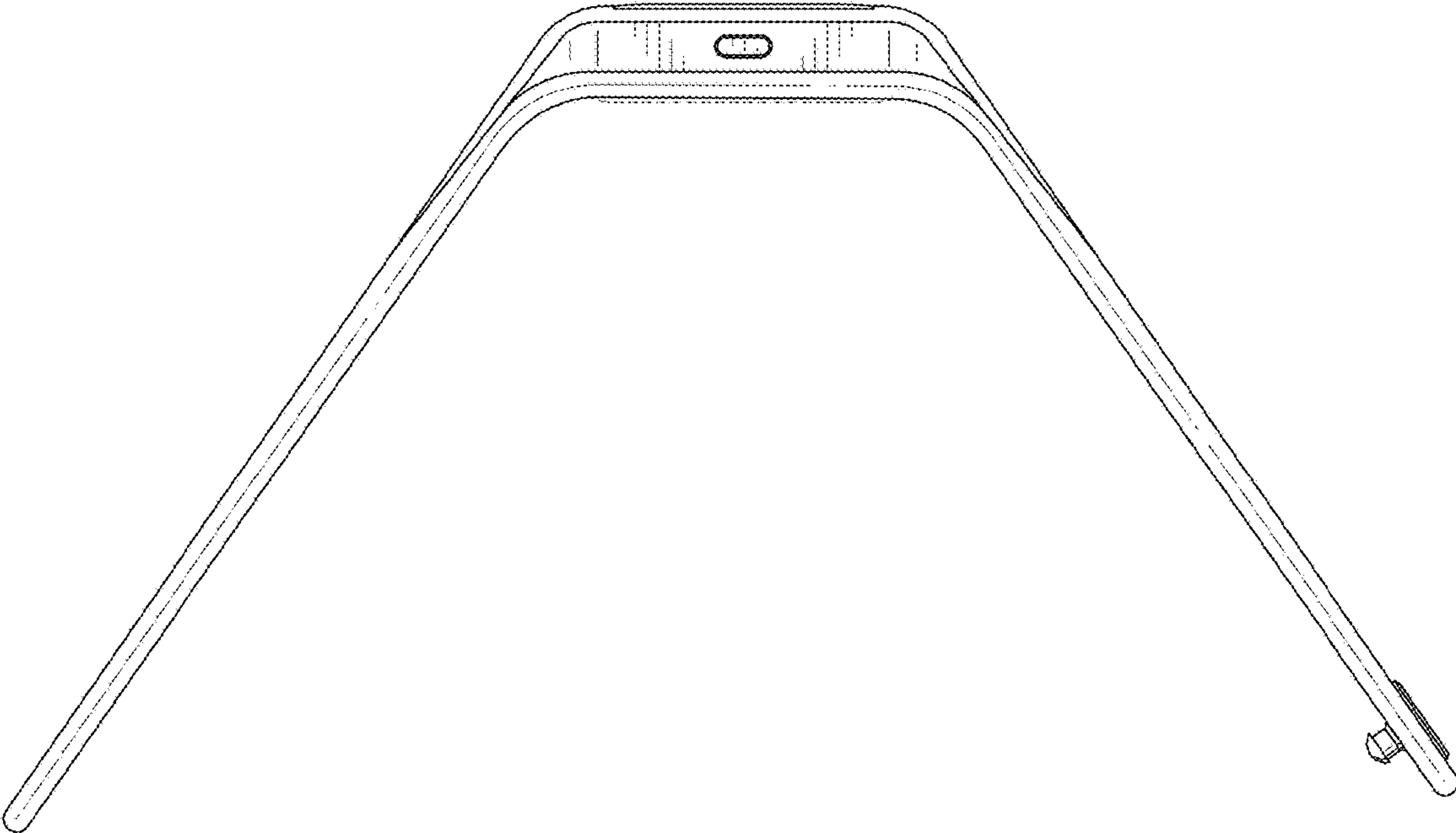


Fig. 2

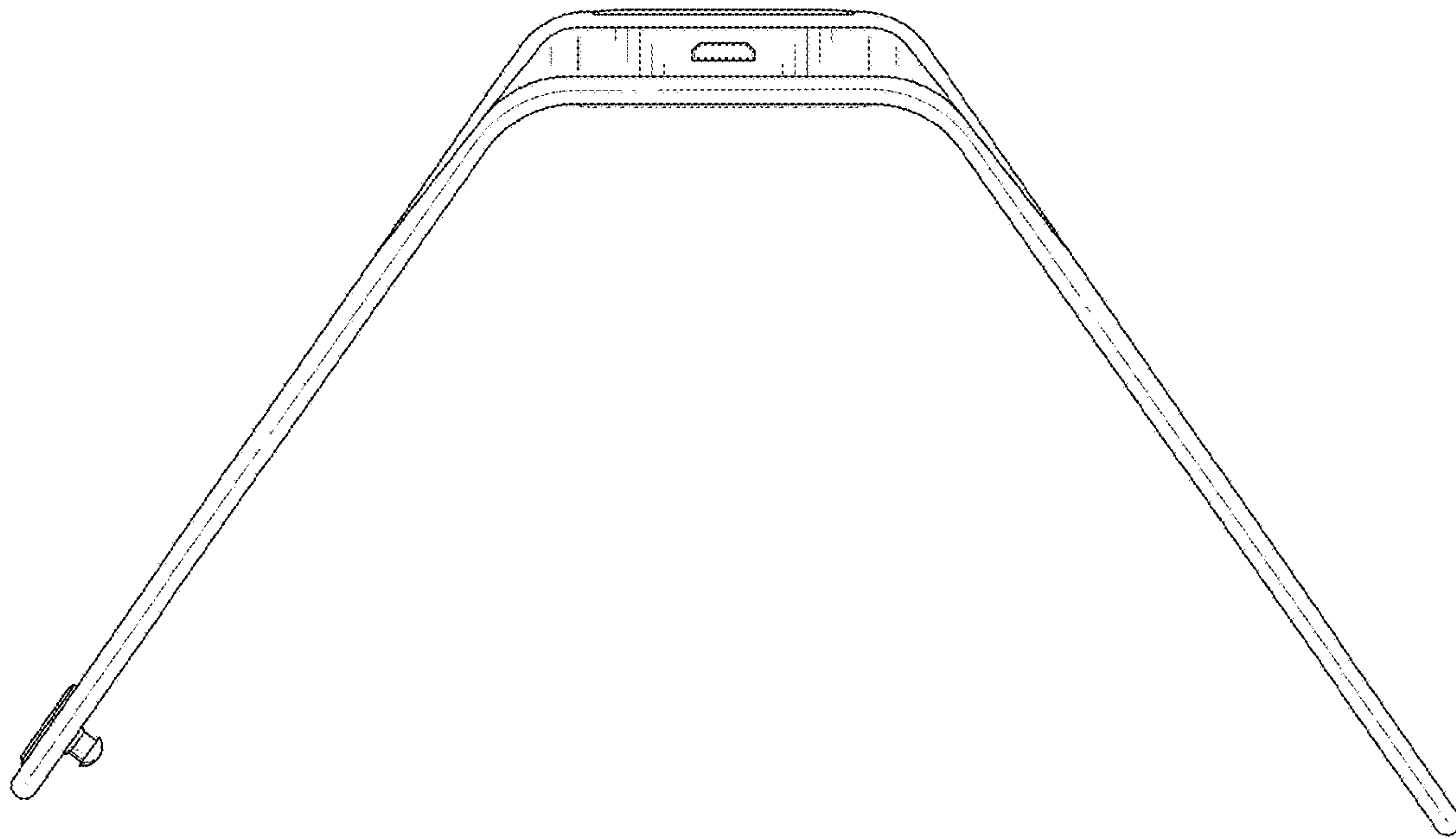


Fig. 3

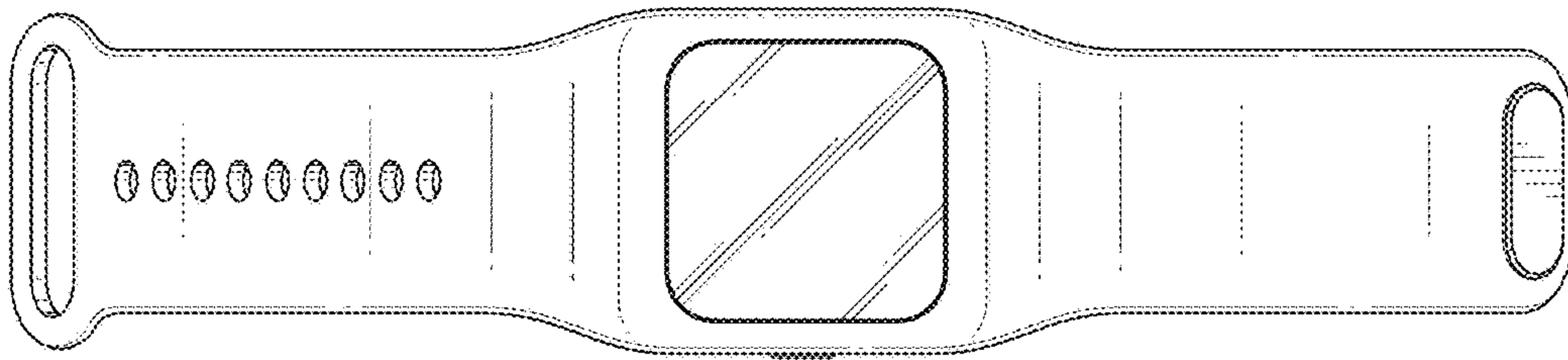


Fig. 4

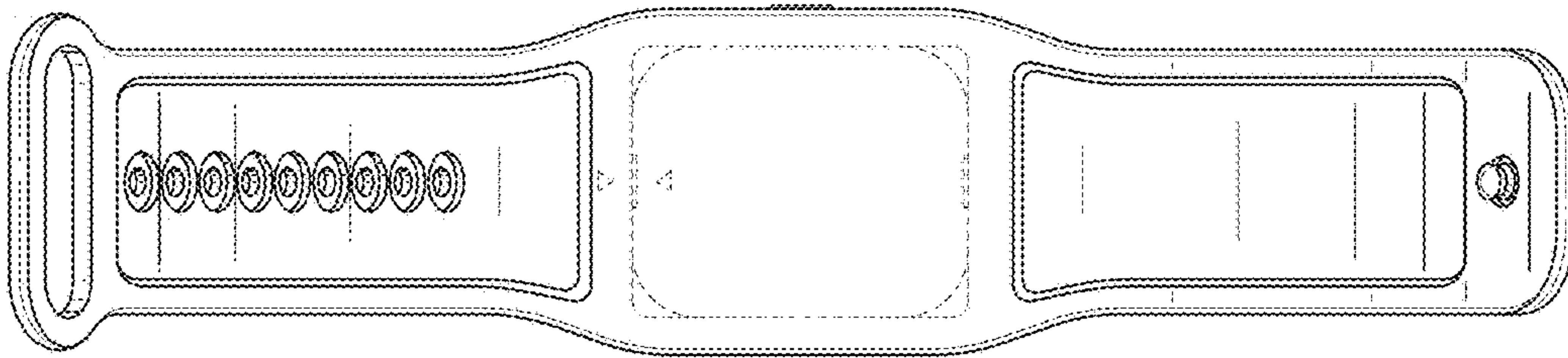


Fig. 5

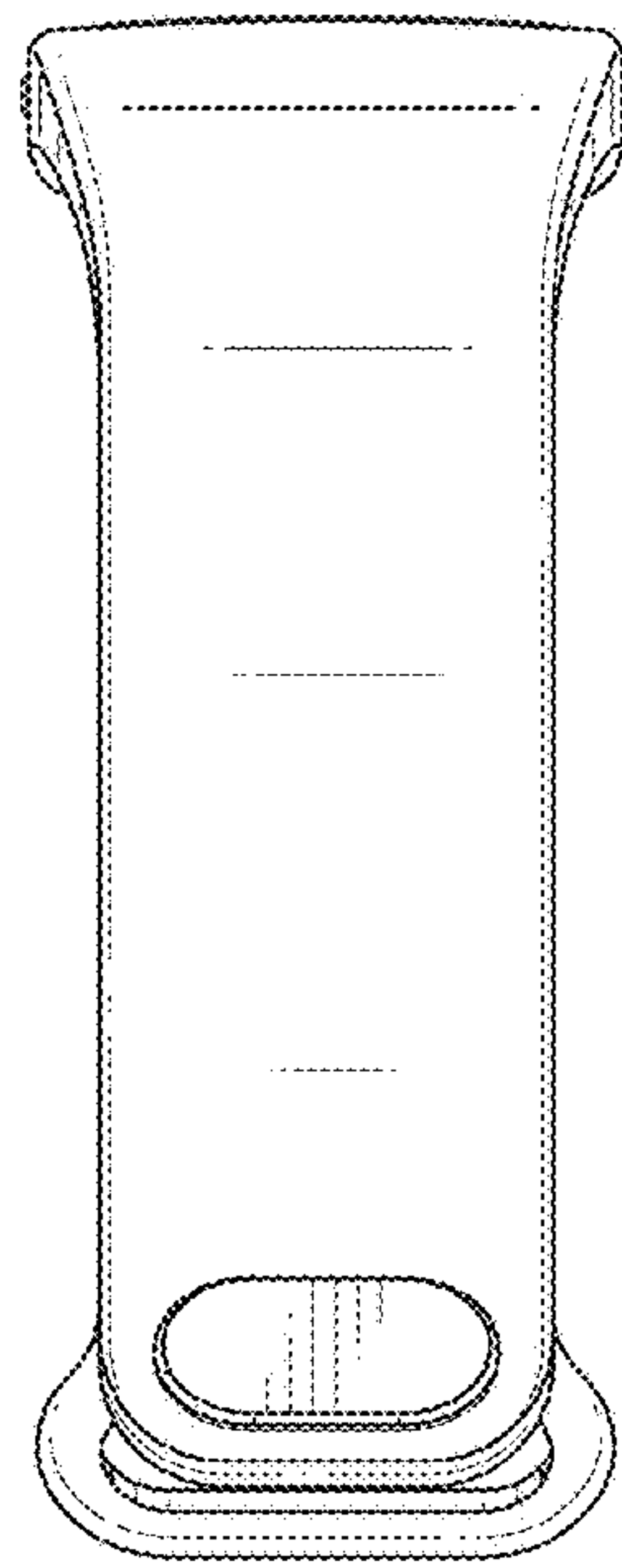


Fig. 6

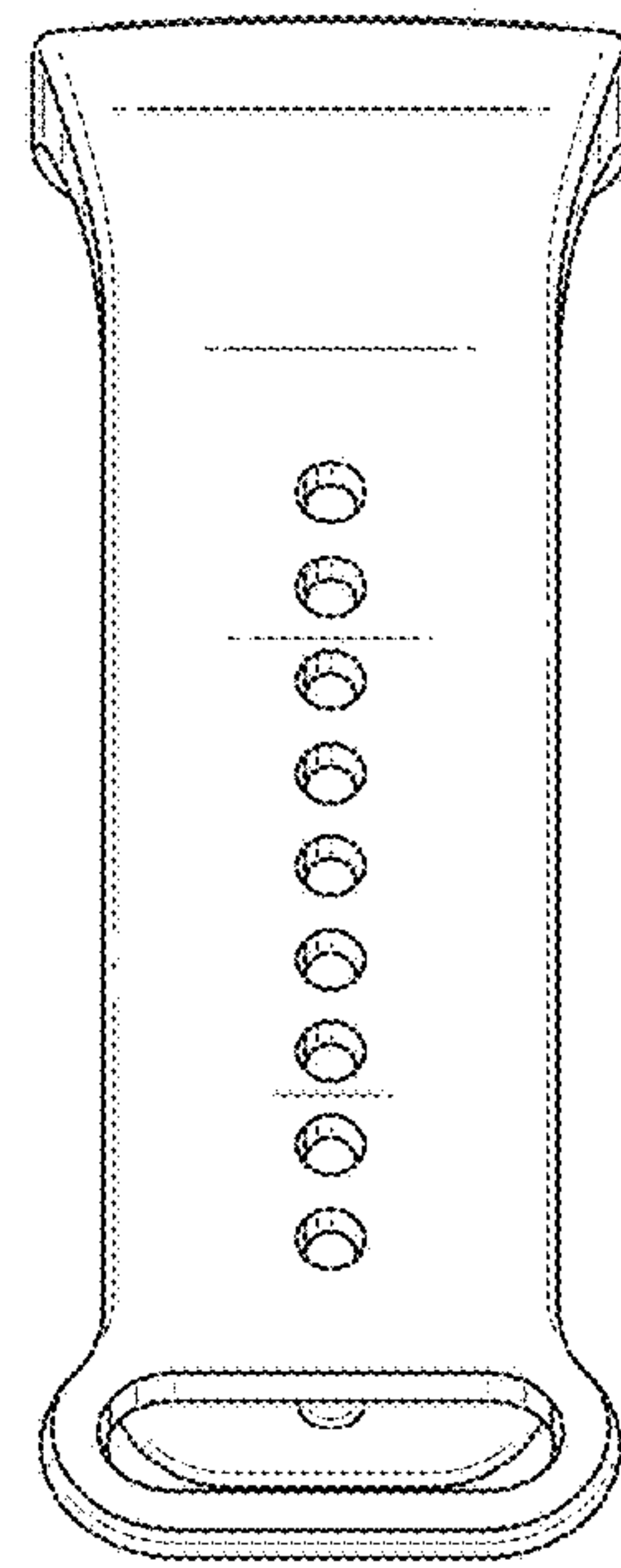


Fig. 7