



US00D865758S

(12) **United States Design Patent**
Choi et al.

(10) **Patent No.:** **US D865,758 S**
(45) **Date of Patent:** **** Nov. 5, 2019**

(54) **PORTABLE ELECTRONIC DEVICE**

(71) Applicant: **Samsung Electronics Co., Ltd.**,
Suwon-si (KR)
(72) Inventors: **Kwangha Choi**, Seoul (KR); **Sanhui Oh**, Seoul (KR); **Yongseok Bang**,
Yongin-si (KR); **Jaehyung Hong**, Seoul (KR)

(73) Assignee: **SAMSUNG ELECTRONICS CO., LTD.**, Suwon-si (KR)

(**) Term: **15 Years**

(21) Appl. No.: **29/582,610**

(22) Filed: **Oct. 28, 2016**

(30) **Foreign Application Priority Data**

Jul. 18, 2016 (KR) 30-2016-0034886

(51) **LOC (12) Cl.** **14-02**

(52) **U.S. Cl.**
USPC **D14/344**

(58) **Field of Classification Search**
USPC ... D14/344, 138 R, 144, 341, 358, 485–489,
D14/218; D10/30–39, 70, 98; D11/3,
D11/93–94; D24/167, 169, 186–187;
361/679.03; 379/433.1; D13/108
CPC .. A41D 1/002; G06F 1/04; G06F 1/08; G06F
1/10; G06F 1/14; G06F 1/1626; G06F
1/1628; G06F 1/163; G06F 1/1635; G06F
1/3203; G06Q 20/10; G06Q 20/12; G06Q
20/108; G06Q 20/145; H04B 1/3833;
H04B 1/385; H04B 1/3888; H04M 1/02;
H04M

(Continued)

(56) **References Cited**

U.S. PATENT DOCUMENTS

3,427,800 A * 2/1969 Blum G04B 19/283
368/223
3,503,203 A * 3/1970 Gruner G04B 13/008
368/21
D270,141 S * 8/1983 Lam D10/31

(Continued)

FOREIGN PATENT DOCUMENTS

CN 303231365 S 6/2015
EM 000566328-0023 7/2006
EM 002619106-0001 1/2015

OTHER PUBLICATIONS

Thread: Potential speedposted provides inspiration (coin edge),
posted Jan. 16, 2010, [retrieved Jan. 3, 2018]. Retrieved from
Internet, <URL: [>.*](http://forum.tz-uk.com/showthread.php?102667-Potential-speedposted-provides-inspiration-(coin-edge))

(Continued)

Primary Examiner — Barbara Fox

Assistant Examiner — Kristin E Reed

(74) *Attorney, Agent, or Firm* — McAndrews Held &
Malloy, Ltd.

(57) **CLAIM**

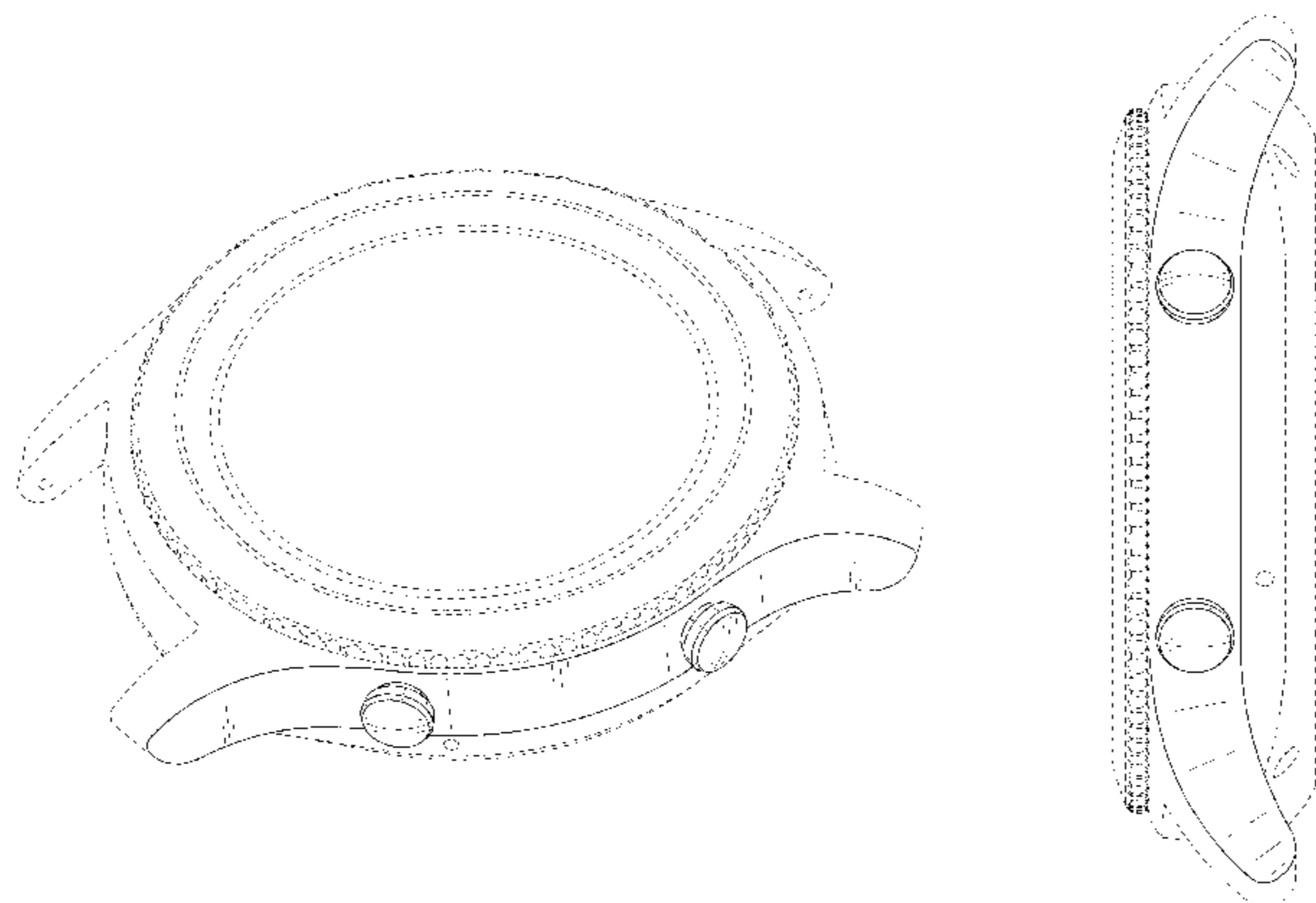
The ornamental design for a portable electronic device, as
shown and described.

DESCRIPTION

FIG. 1 is a front perspective view of a portable electronic
device showing our new design;
FIG. 2 is a front elevation view thereof;
FIG. 3 is a rear elevation view thereof;
FIG. 4 is a left side elevation view thereof;
FIG. 5 is a right side elevation view thereof;
FIG. 6 is a top plan view thereof; and,
FIG. 7 is a bottom plan view thereof.

The dashed broken lines in the drawings depict portions of
the portable electronic device that form no part of the
claimed design.

1 Claim, 5 Drawing Sheets



(58) **Field of Classification Search**
 CPC 1/03; H04M 1/04; H04M 1/05; H04M
 1/667; H04M 1/6058; Y02B 60/1217
 See application file for complete search history.

D802,445 S * 11/2017 El Alej D10/30
 D803,210 S * 11/2017 Bang D14/344
 9,829,917 B2 * 11/2017 Lee G06F 1/163
 D806,070 S * 12/2017 Bang D14/344

(56) **References Cited**

U.S. PATENT DOCUMENTS

D325,353 S	*	4/1992	Meyer	D10/30
D376,544 S	*	12/1996	Egbert	D10/30
D421,921 S	*	3/2000	Giardiello	D10/30
D536,266 S	*	2/2007	Tomimatsu	D10/38
D578,904 S	*	10/2008	Calvani	D10/39
D579,792 S	*	11/2008	Calvani	D10/39
D594,765 S	*	6/2009	Rieseler	D10/39
D695,637 S	*	12/2013	Jacquerye	D10/39
D708,074 S	*	7/2014	Tonohori	D10/39
D708,076 S	*	7/2014	Monachon	D10/39
D726,675 S	*	4/2015	Choi	D10/38
D733,583 S	*	7/2015	Monachon	D10/126
D736,654 S	*	8/2015	Monachon	D10/126
D738,227 S	*	9/2015	Monachon	D10/126
D751,929 S	*	3/2016	Ette	D10/126
D760,606 S	*	7/2016	Bonadei	D10/128

OTHER PUBLICATIONS

Samsung Gear S3 officially announced: here's what you need to know, posted Aug. 31, 2016, [retrieved Jan. 3, 2018]. Retrieved from Internet, <URL: <https://www.androidauthority.com/samsung-gear-s3-specs-price-release-date-713365/> >.*
 5 Amazing Dive Watches, posted Jul. 29, 2014, [retrieved Jan. 3, 2018]. Retrieved from Internet, <URL: <http://www.prowatches.org/5-amazing-dive-watches/> >.*
 August Steiner Men's AS8189SSBR Silver Multifunction Quartz Watch with White and Black Dial and Brown Leather Strap, posted Sep. 23, 2015, [retrieved Jan. 3, 2018]. Retrieved from Internet, <URL: <https://www.amazon.com/August-Steiner-AS8189SSBR-Multifunction-Leather/dp/B013GEMFFY> >.*
 Huawei Watch 2, posted May 24, 2017, [retrieved Jan. 3, 2018]. Retrieved from Internet, <URL: <https://www.pcmag.com/review/352389/huawei-watch-2> >.*

* cited by examiner

FIG. 1

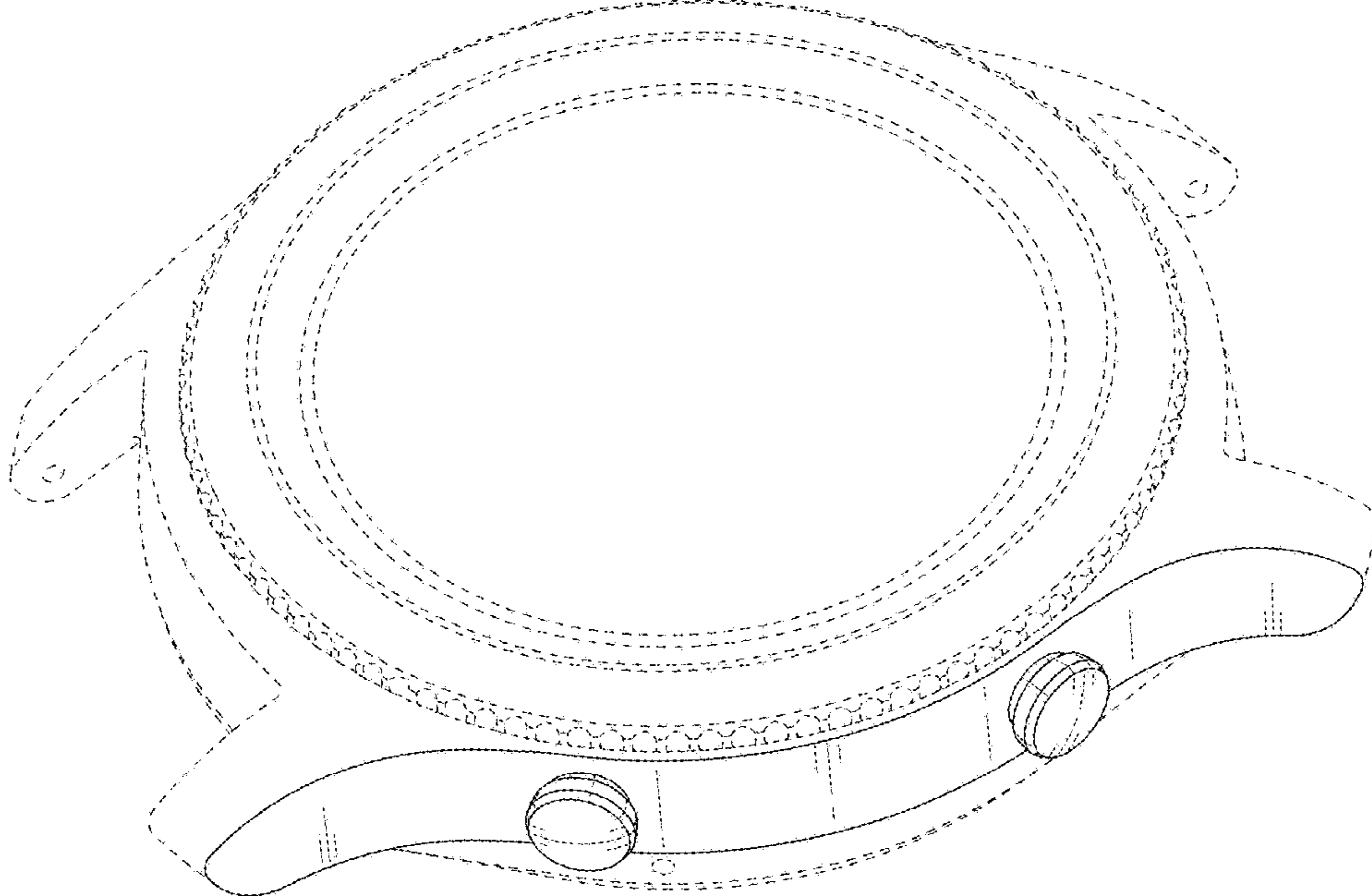


FIG. 2

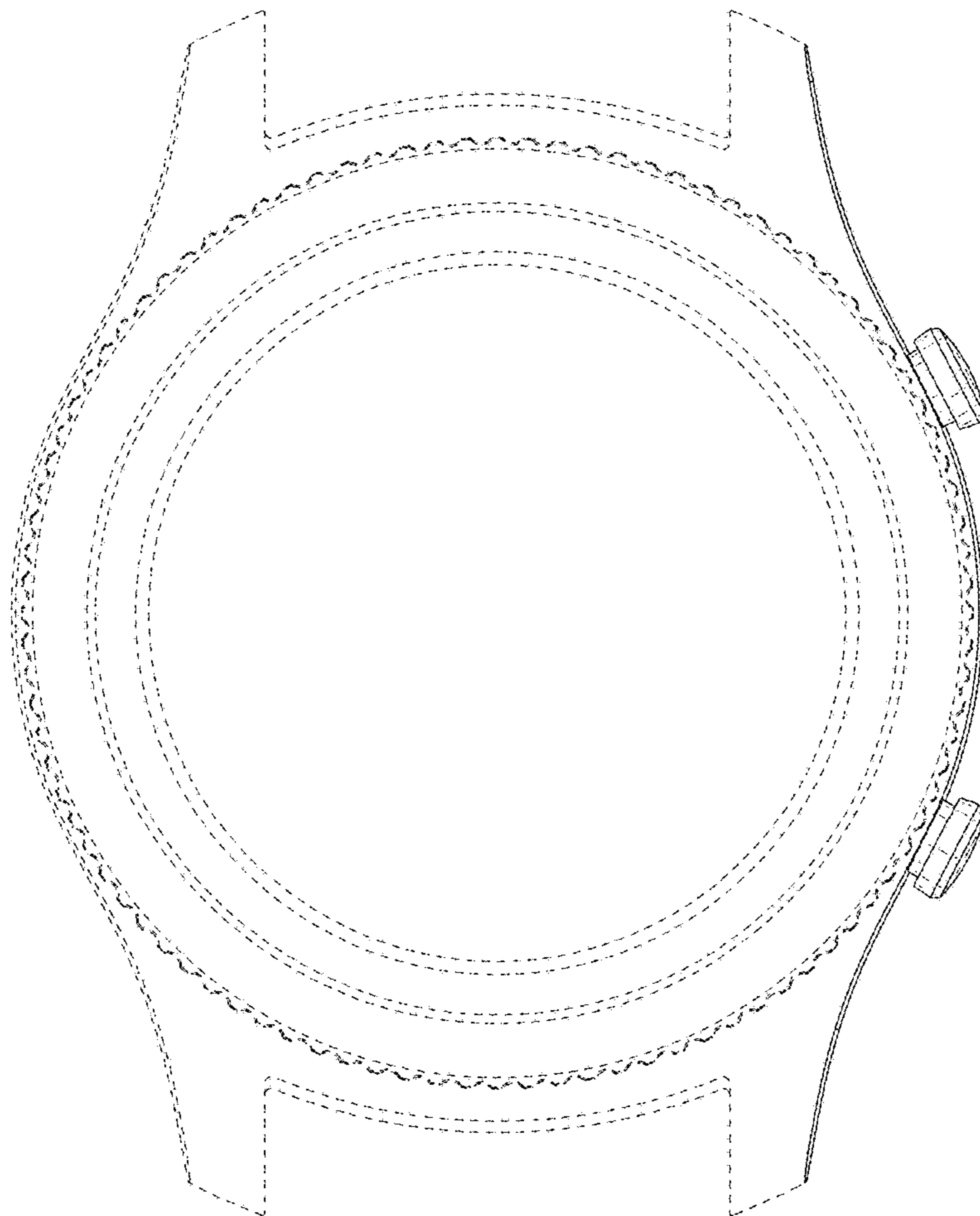


FIG. 3

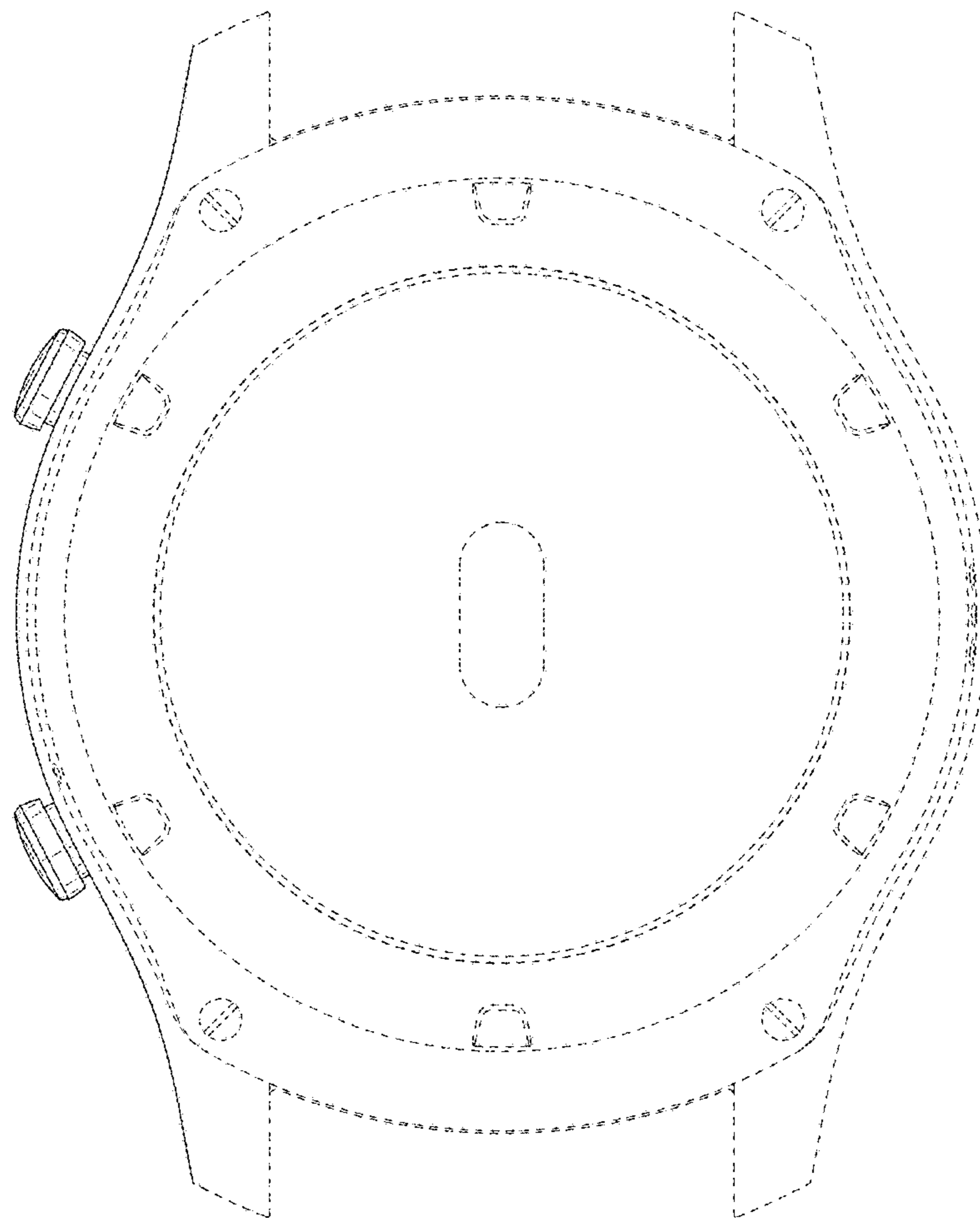


FIG. 4

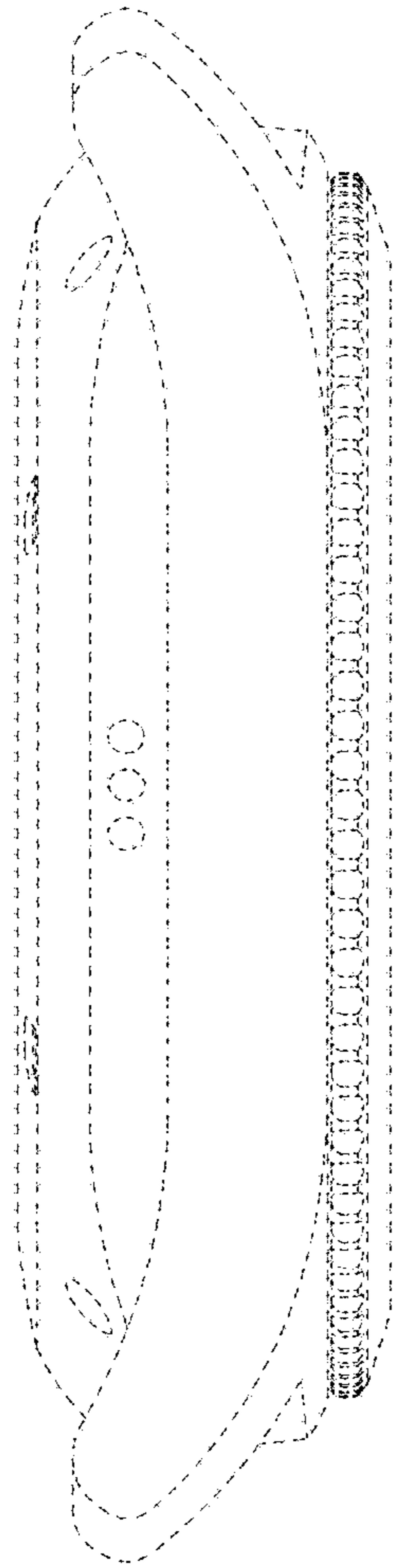


FIG. 5

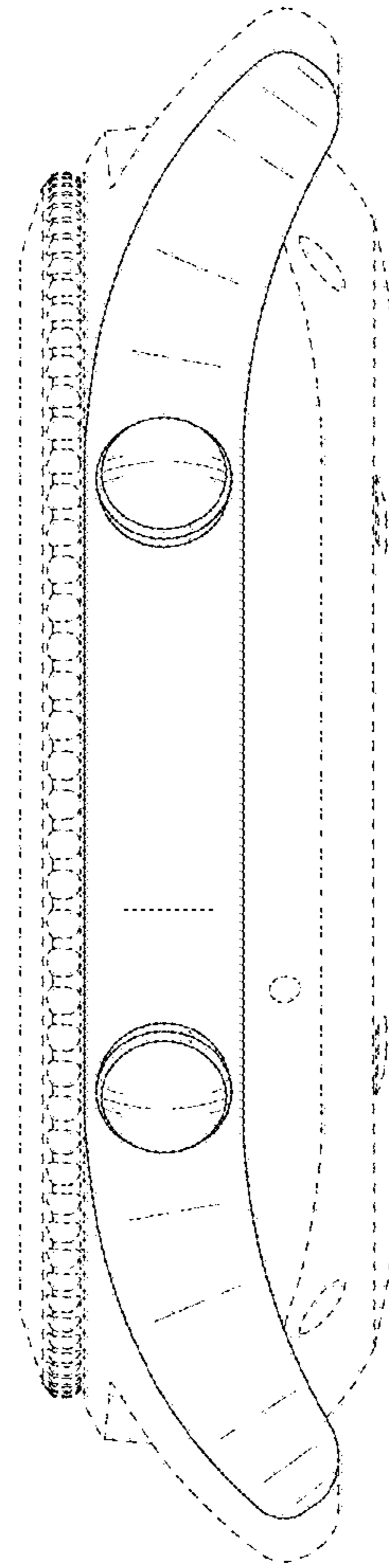


FIG. 6

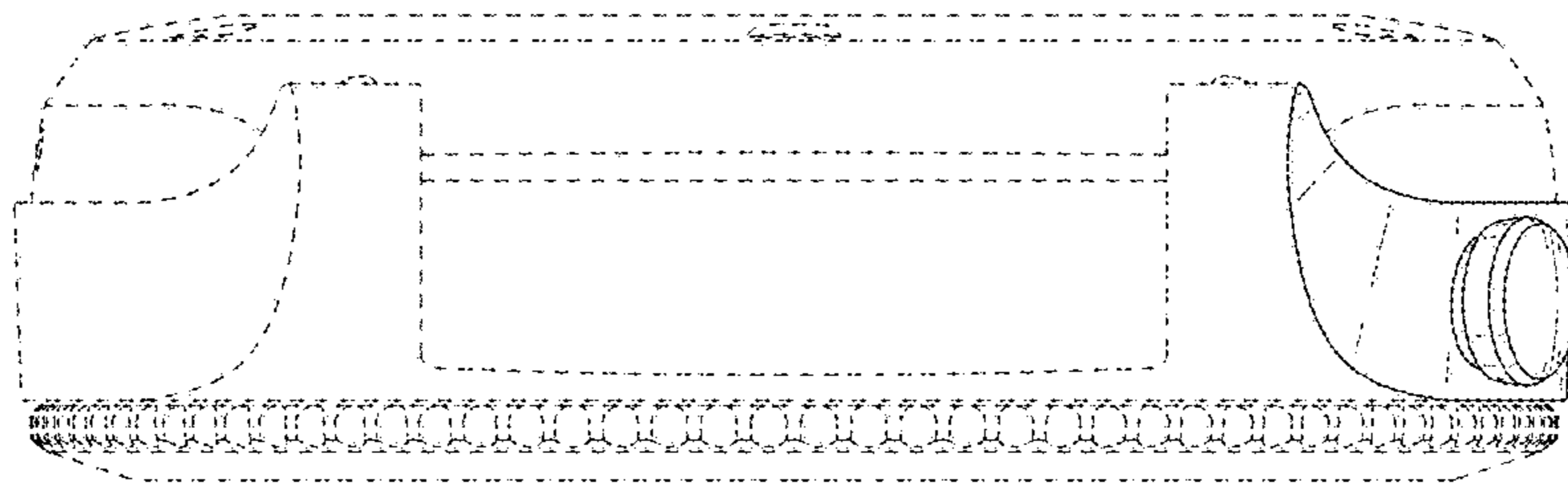


FIG. 7

