



US00D865757S

(12) **United States Design Patent**  
**Townsend et al.**

(10) **Patent No.:** **US D865,757 S**

(45) **Date of Patent:** **\*\* Nov. 5, 2019**

(54) **LAPTOP COMPUTER**

(71) Applicant: **HEWLETT-PACKARD  
DEVELOPMENT COMPANY, L.P.,**  
Houston, TX (US)

(72) Inventors: **Marcus Townsend**, Houston, TX (US);  
**Isaac Teece**, London (GB)

(73) Assignee: **Hewlett-Packard Development  
Company, L.P.**, Spring, TX (US)

(\*\*) Term: **15 Years**

(21) Appl. No.: **29/643,245**

(22) Filed: **Apr. 5, 2018**

(51) **LOC (12) Cl.** ..... **14-02**

(52) **U.S. Cl.**  
USPC ..... **D14/327**

(58) **Field of Classification Search**  
USPC ..... D14/315-327, 331, 333-337, 439,  
D14/440-441, 444, 448, 450; D18/1-2,  
D18/7, 11, 12.2-12.3

CPC .... G06F 1/1601; G06F 1/1613; G06F 1/1615;  
G06F 1/1616; G06F 1/1633; G06F  
1/1643; G06F 1/1652; G06F 1/1654;  
G06F 1/1669; G06F 1/1681; G06F  
1/1688; G06F 1/203; H05K 5/0004;  
H05K 5/0017; H05K 5/0021; H05K  
5/0043; H05K 5/0047; H05K 5/0052

See application file for complete search history.

(56) **References Cited**

**U.S. PATENT DOCUMENTS**

D431,559 S \* 10/2000 Morooka ..... D14/318  
D431,821 S \* 10/2000 Mizuno ..... D14/318  
D479,840 S \* 9/2003 Lu ..... D14/318  
D489,366 S \* 5/2004 Lu ..... D14/318  
6,781,823 B1 \* 8/2004 Nyack ..... G06F 1/1601  
346/145

D530,321 S \* 10/2006 Lin ..... D14/318  
D591,285 S \* 4/2009 Lu ..... D14/327  
D596,633 S \* 7/2009 Kawase ..... D14/319  
D630,626 S \* 1/2011 Fujita ..... D14/318  
D682,820 S \* 5/2013 McManigal ..... D14/315  
D705,220 S \* 5/2014 Wolff ..... D14/315  
D706,759 S \* 6/2014 Myung ..... D14/315  
D706,771 S \* 6/2014 Lee ..... D14/315

(Continued)

**OTHER PUBLICATIONS**

KR-300696135, posted at Orbit, publication date Mar. 9, 2015. Site visited Jun. 10, 2019. Available from Internet. (Year: 2015).\*

(Continued)

*Primary Examiner* — Kevin K Rudzinski

*Assistant Examiner* — Kathleen L Jones

(74) *Attorney, Agent, or Firm* — HPI Patent Department

(57) **CLAIM**

We claim the ornamental design for a laptop computer, as shown and described.

**DESCRIPTION**

FIG. 1 is a front, top, right perspective view of the claimed design;

FIG. 2 is a top plan view thereof;

FIG. 3 is a bottom plan view thereof;

FIG. 4 is a front elevation view thereof;

FIG. 5 is rear elevation view thereof;

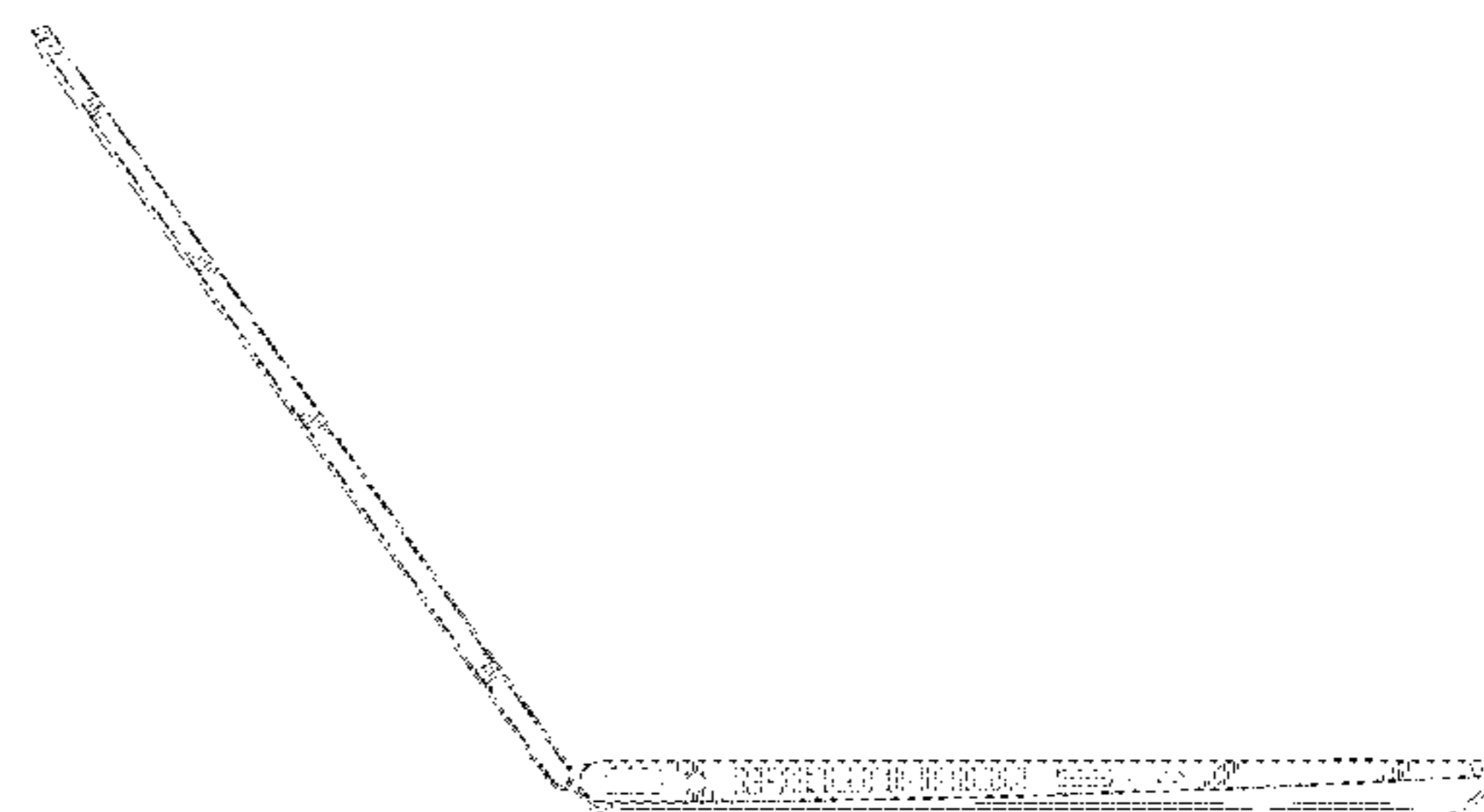
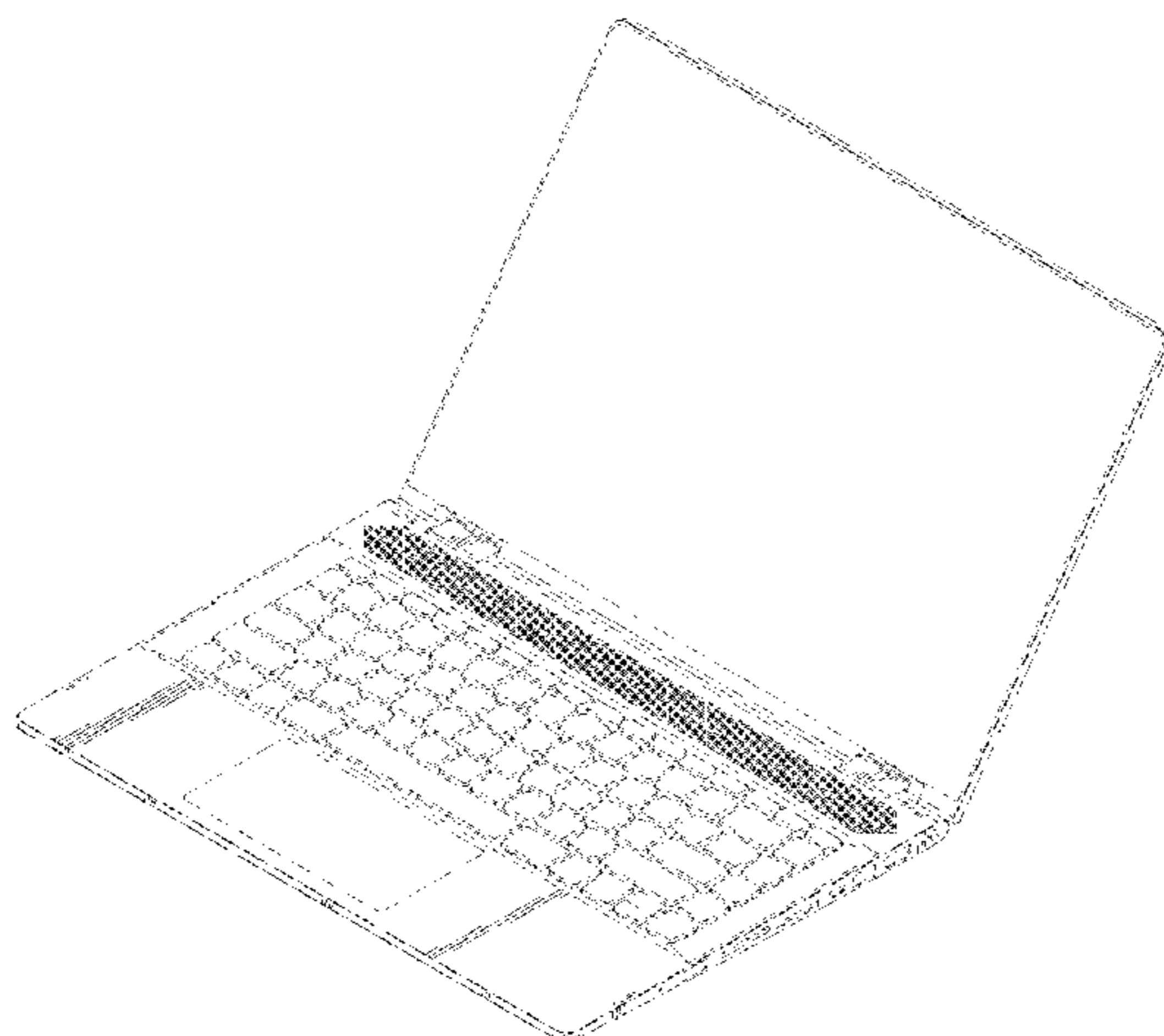
FIG. 6 is a left side elevation view thereof; and,

FIG. 7 is a right side elevation view thereof.

The broken lines showing portions of the laptop computer are included for the purpose of illustrating portions of the article and form no part of the claimed design.

The circular solid lines shown within the broken line triangles illustrate portions of the speaker feature and form part of the claimed design. The surfaces between solid lines and broken lines form part of the claimed design.

**1 Claim, 7 Drawing Sheets**



(56)

**References Cited**

## U.S. PATENT DOCUMENTS

D724,074	S	*	3/2015	Lee	.....	D14/315
D734,318	S	*	7/2015	Lee	.....	D14/315
D763,249	S	*	8/2016	Lee	.....	D14/315
D798,858	S	*	10/2017	Lu	.....	D14/315
D806,702	S	*	1/2018	Senatori	.....	D14/316
D807,345	S	*	1/2018	Senatori	.....	D14/316
D807,875	S	*	1/2018	Senatori	.....	D14/316
D810,070	S	*	2/2018	Wang	.....	D14/318
D819,625	S	*	6/2018	Michaelian	.....	D14/315
2002/0041483	A1	*	4/2002	Horii	.....	G06F 1/1616 361/679.09
2014/0029187	A1	*	1/2014	Okuley	.....	G06F 1/1616 361/679.09
2016/0212892	A1	*	7/2016	Sweet	.....	G06F 1/1688
2019/0129475	A1	*	5/2019	Lai	.....	G06F 1/1681

## OTHER PUBLICATIONS

Kumar, Ujjwal, Everything You Need to Know About HP Gaming Pavilion Laptop, posted at WindowsAble, posting date Oct. 6, 2018. Site visited Jun. 10, 2019. URL: <<https://windowsable.com/everything-you-need-to-know-about-hp-gaming-pavilion-15-cx0144tx-laptop/>> (Year: 2018).\*

Puschina, Daniel, HP Pavilion 15 Laptop Review, posted at NotebookCheck, posting date Oct. 5, 2018. Site visited Jun. 10, 2019. URL: <<https://www.notebookcheck.net/HP-Pavilion-15-AMD-Ryzen-5-2500U-Vega-8-Laptop-Review.337050.0.html>> (Year: 2018).\*

Schiesser, Tim, HP Spectre x360 Review, posted at TechSpot, posting date Feb. 22, 2017. Site visited Jun. 10, 2019. URL: <<https://www.techspot.com/review/1331-hp-spectre-x360/>> (Year: 2017).\*

\* cited by examiner

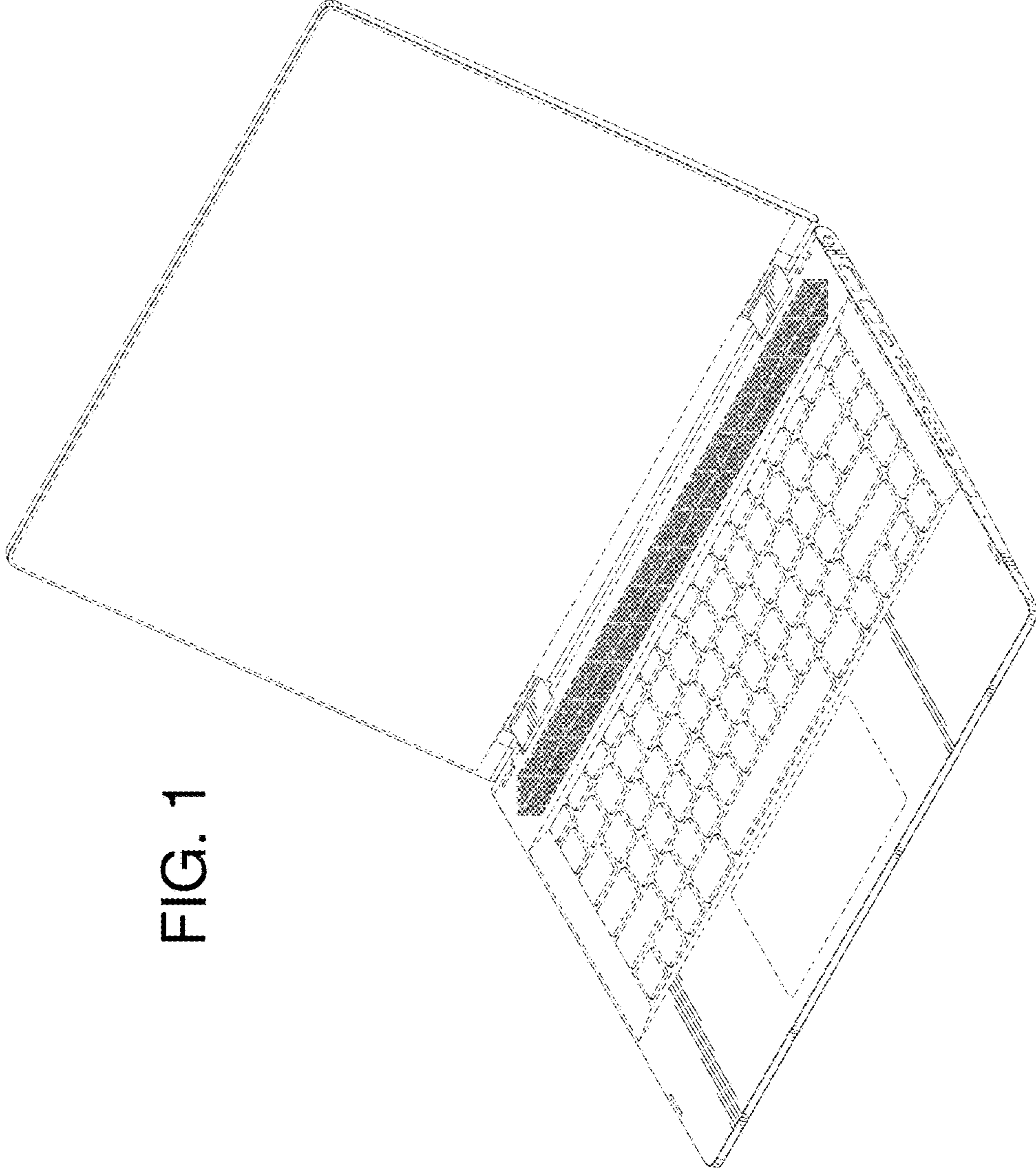


FIG. 1



FIG. 2

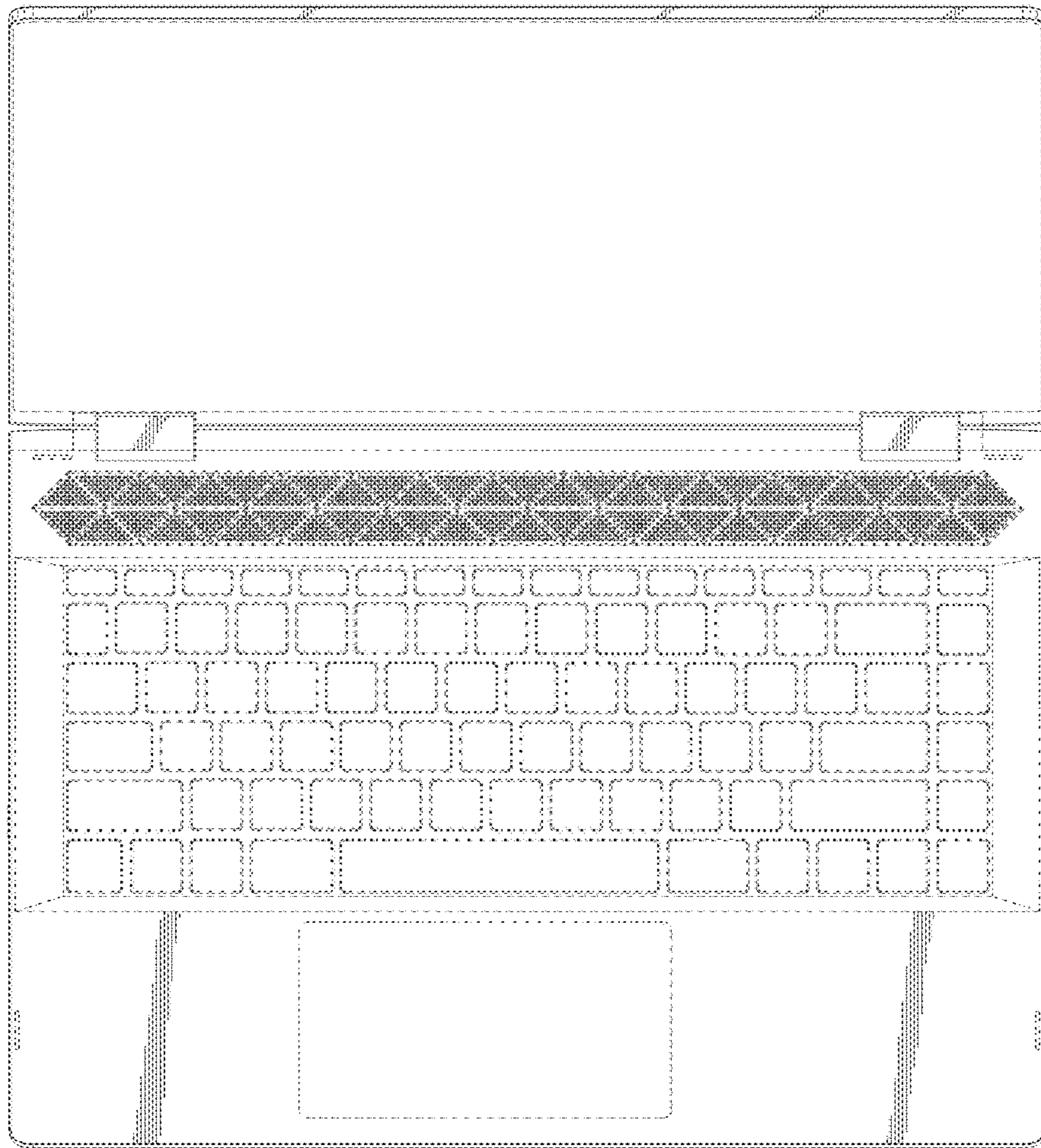


FIG. 3

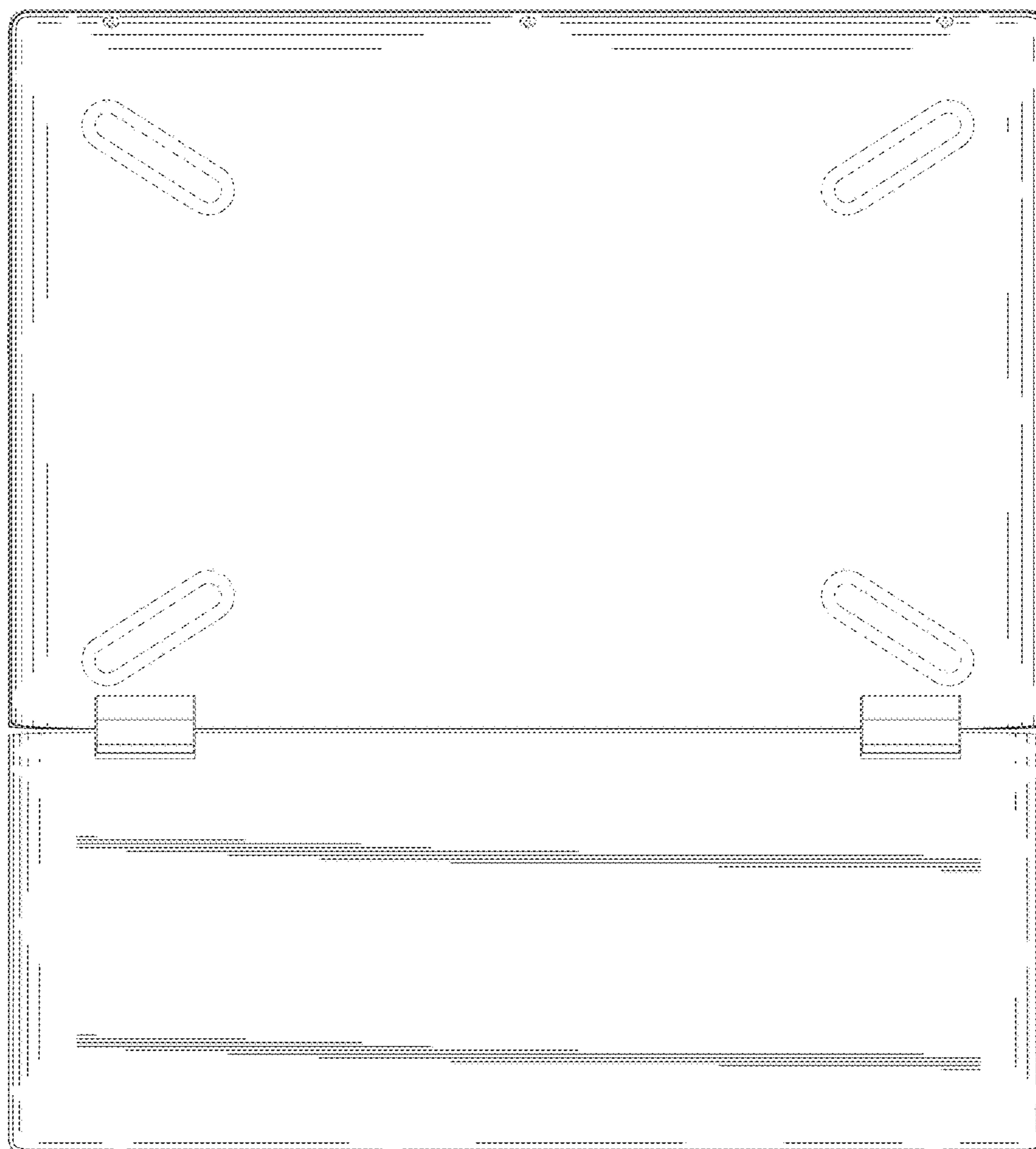


FIG. 4



FIG. 5

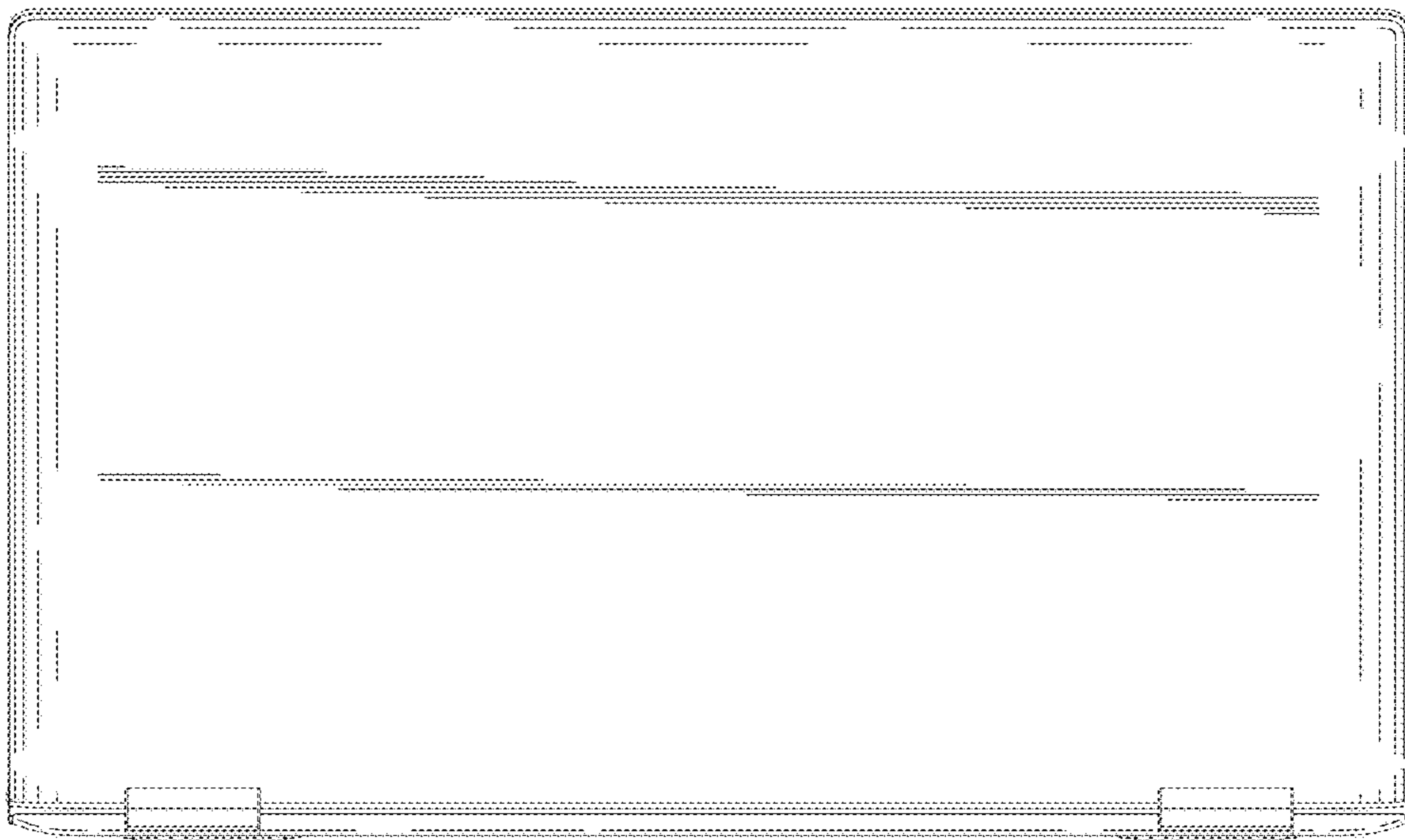


FIG. 6

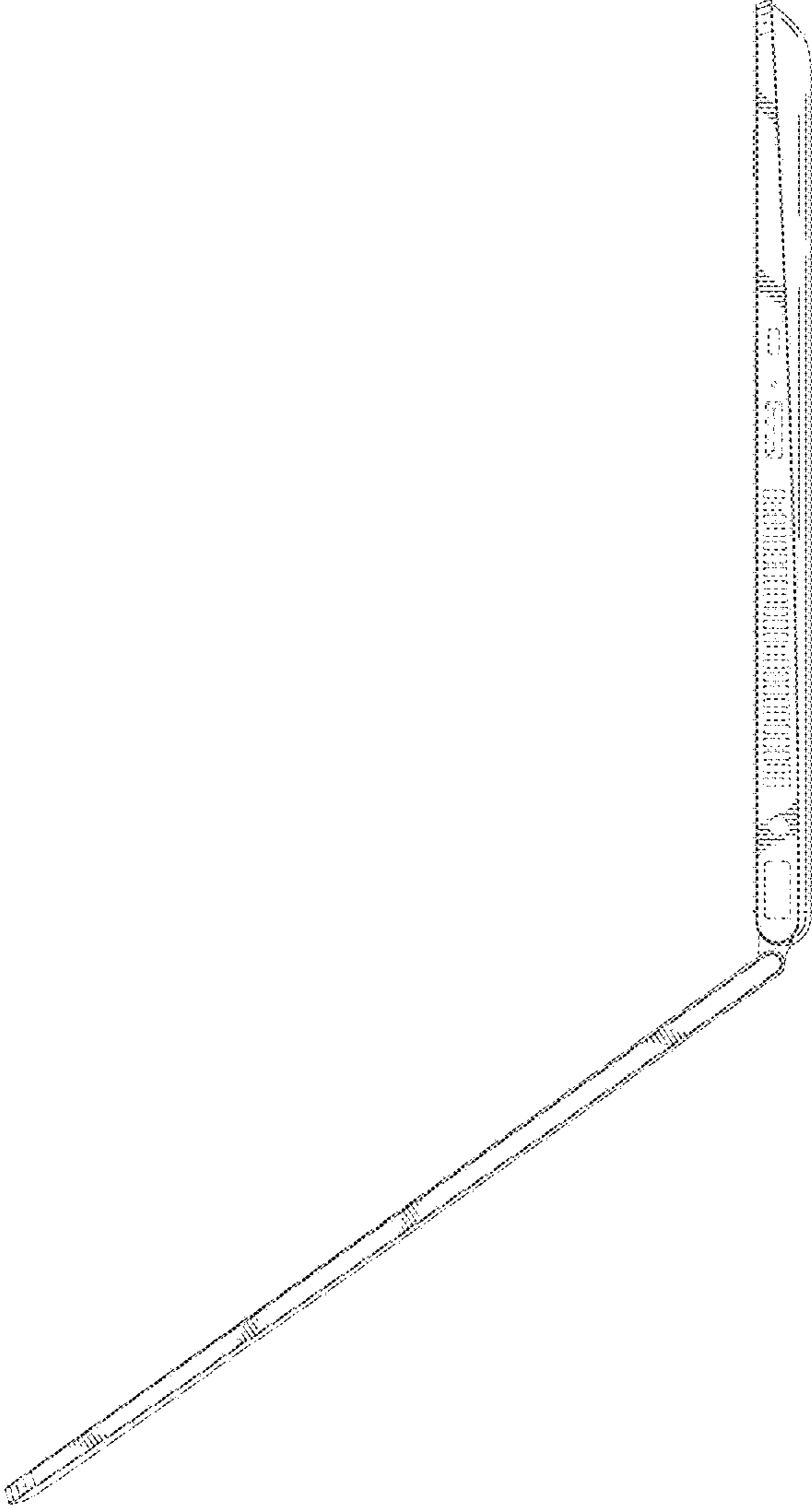




FIG. 7

