



US00D865755S

(12) **United States Design Patent**
Yang

(10) **Patent No.:** **US D865,755 S**

(45) **Date of Patent:** **** Nov. 5, 2019**

(54) **COMPUTER MAIN PROCESSOR BOX**

(71) Applicant: **Guohui Yang**, Chifeng (CN)

(72) Inventor: **Guohui Yang**, Chifeng (CN)

(**) Term: **15 Years**

(21) Appl. No.: **29/633,281**

(22) Filed: **Jan. 12, 2018**

(51) **LOC (12) Cl.** **14-02**

(52) **U.S. Cl.**
USPC **D14/301**

(58) **Field of Classification Search**
USPC D14/300, 301, 308, 314, 348-349,
D14/353-354, 356-358; D3/208, 216
CPC A45C 11/00; A45C 2011/003; A45C
2200/05; A45C 2200/0525; A45C
2200/0533; A45F 3/04; G06F 16/00;
G06F 16/10

See application file for complete search history.

(56) **References Cited**

U.S. PATENT DOCUMENTS

D318,866 S *	8/1991	Hillis	D14/308
D430,565 S *	9/2000	Crane, Jr.	273/146
D439,894 S *	4/2001	Peng	D14/301
D447,143 S *	8/2001	Crane, Jr.	D14/439
D486,322 S *	2/2004	Hansen	D6/659
7,259,961 B2 *	8/2007	Lucero	H05K 7/20563
				165/121
D665,387 S *	8/2012	Hsiao	D14/301

D742,816 S *	11/2015	Anker	D13/102
D749,560 S *	2/2016	Hallar	D14/301
D797,102 S *	9/2017	Lee	D14/364
D842,297 S *	3/2019	Pennington, Jr.	D14/314
D844,603 S *	4/2019	Poulton	D14/348

* cited by examiner

Primary Examiner — Sandra S Snapp

Assistant Examiner — Katherine Glennon

(74) *Attorney, Agent, or Firm* — Muncy, Geissler, Olds & Lowe, P.C.

(57) **CLAIM**

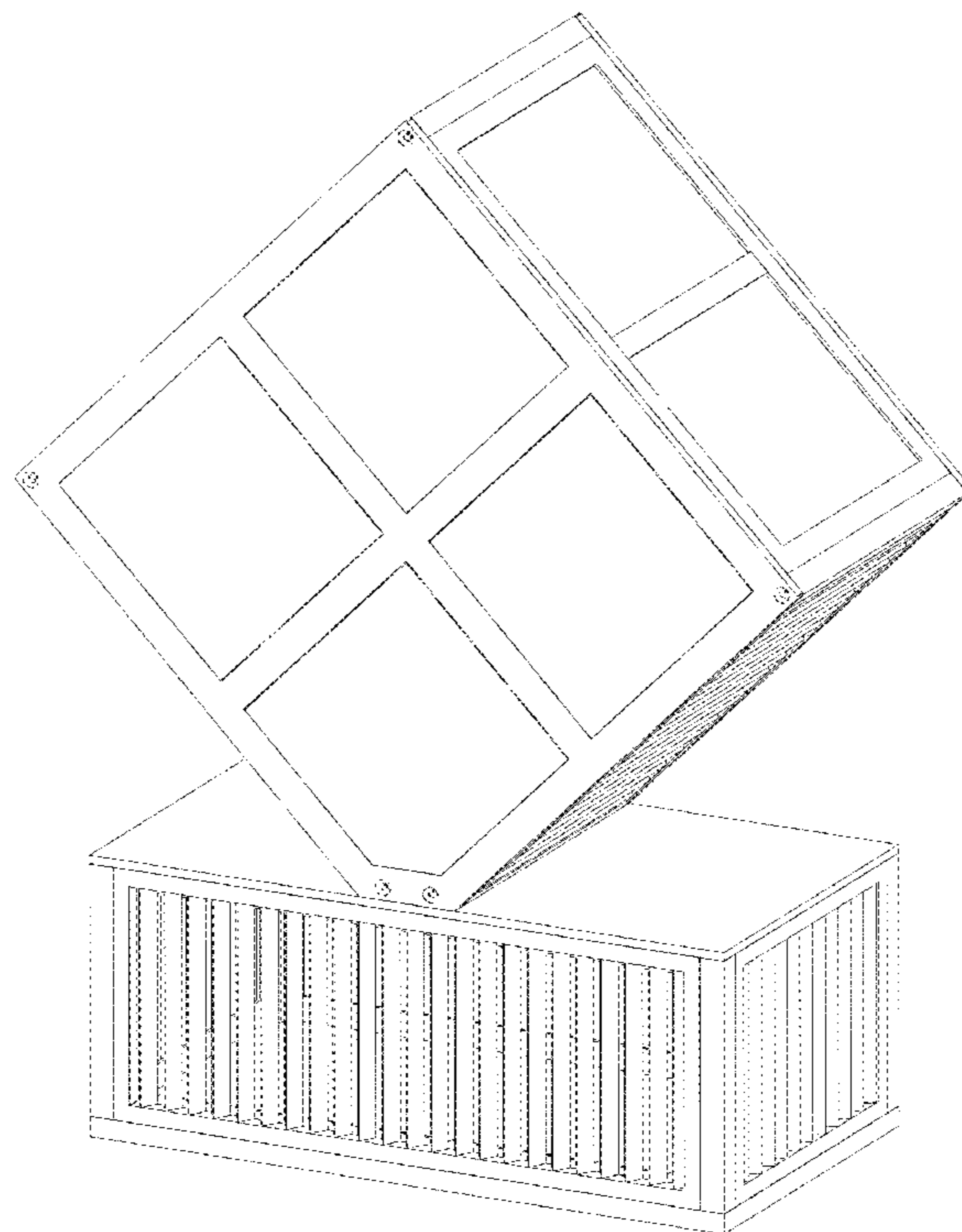
The ornamental design for a computer main processor box, as shown and described.

DESCRIPTION

FIG. 1 is a perspective view of a computer main processor box showing my new design; FIG. 2 is a front devotional view thereof; FIG. 3 is a left side view thereof; FIG. 4 is a right side view thereof; FIG. 5 is a top plan view thereof; FIG. 6 is a bottom plan view thereof; and, FIG. 7 is another perspective view thereof.

The broken lines in the drawing depict portions of the computer main processor box that form no part of the claimed design.

1 Claim, 4 Drawing Sheets



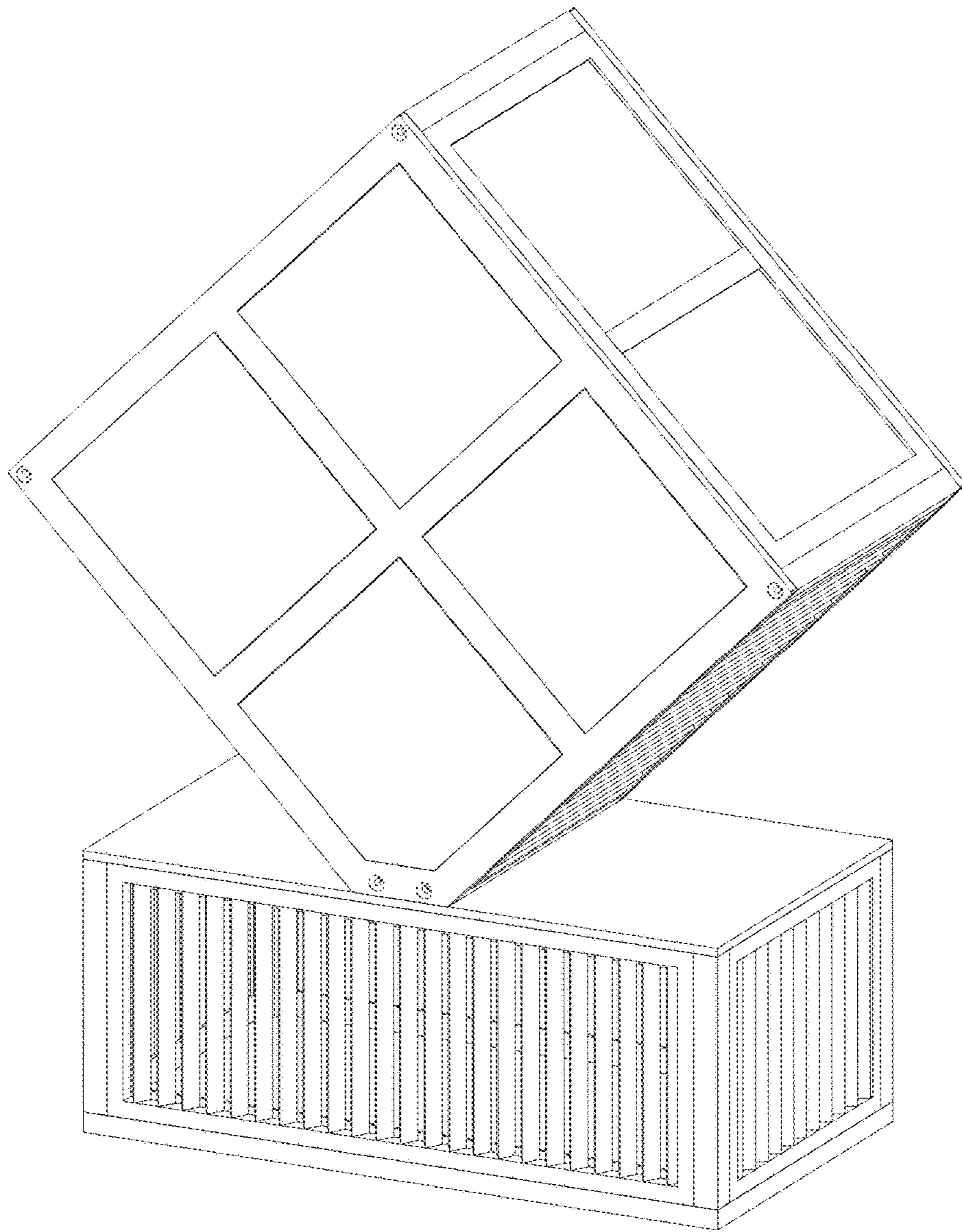


FIG. 1

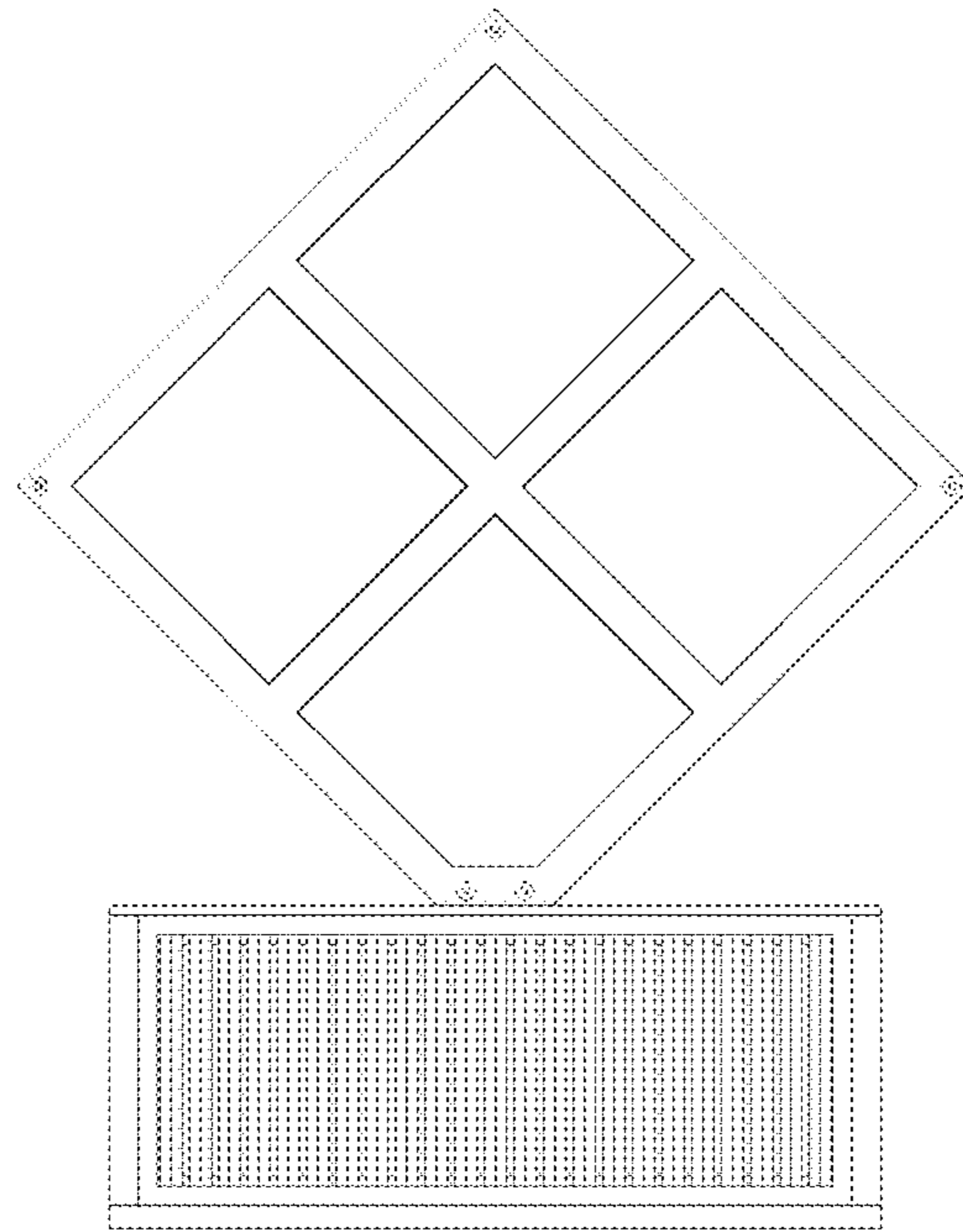


FIG. 2

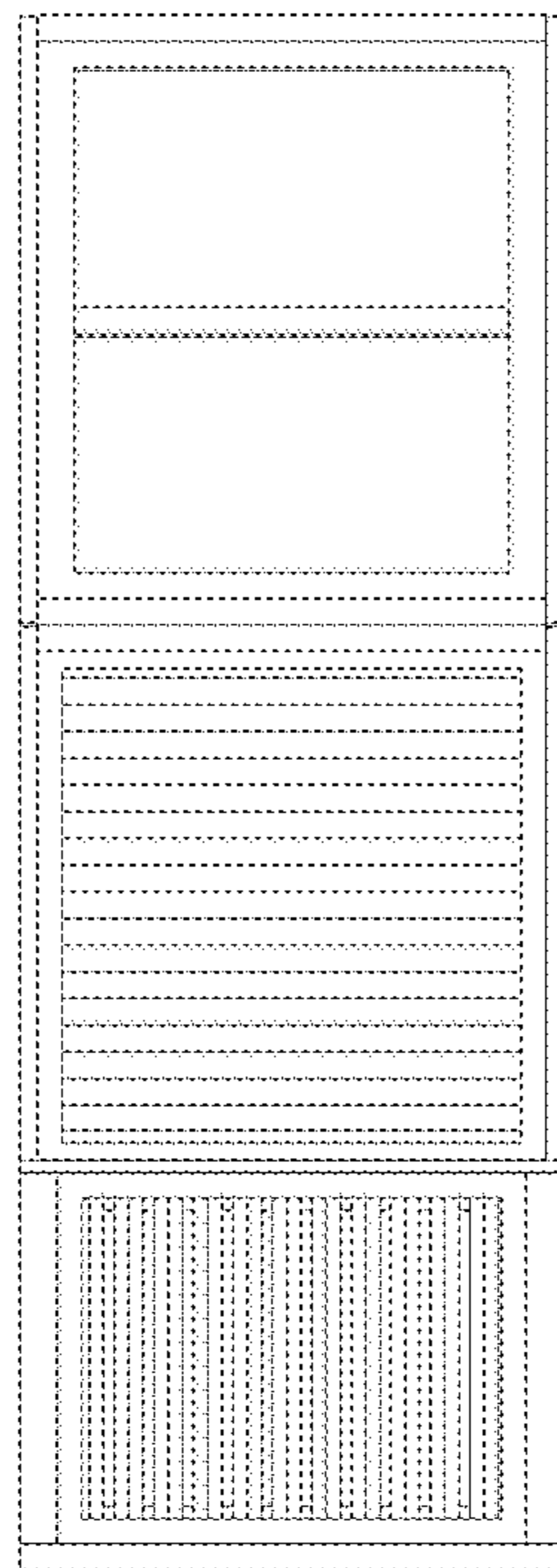


FIG. 3

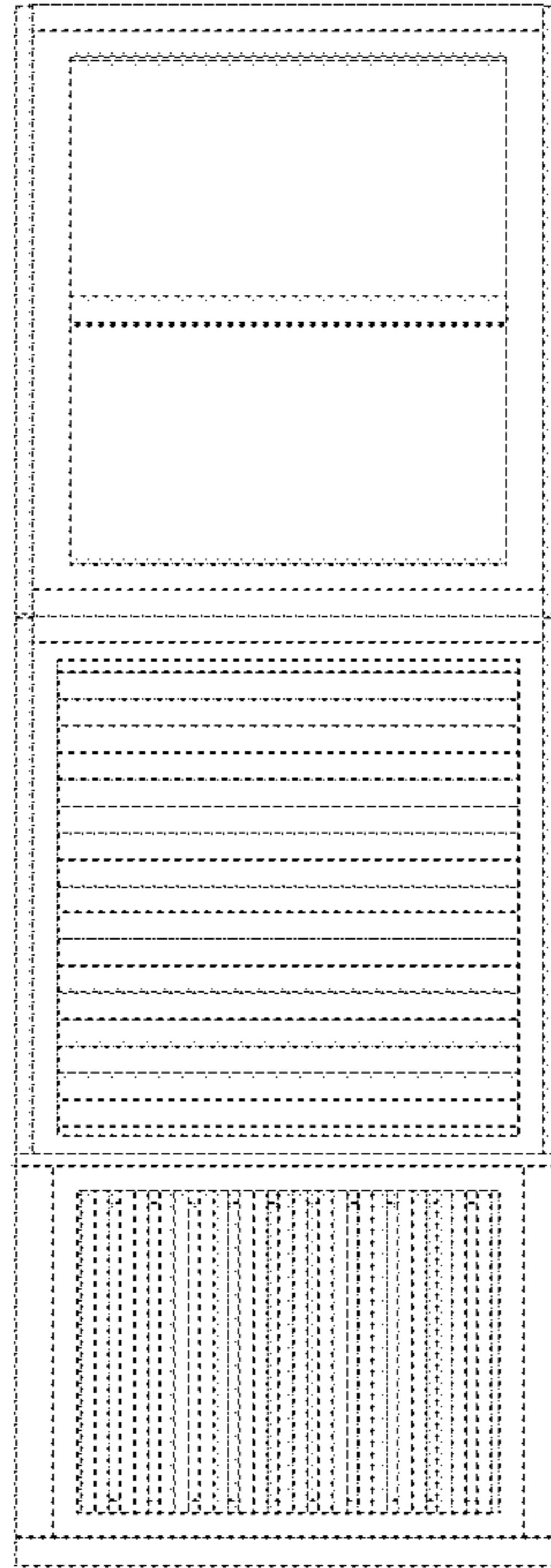


FIG. 4

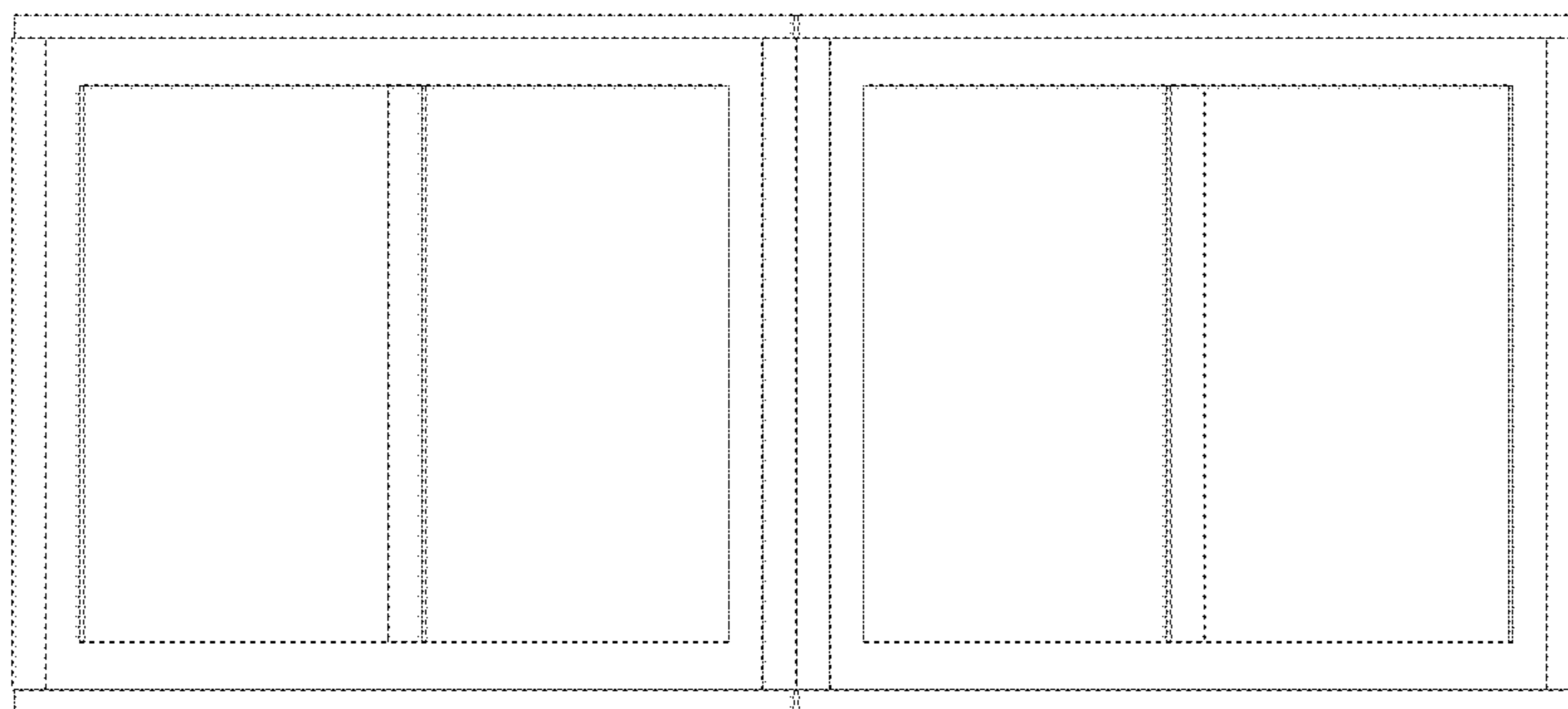


FIG. 5



FIG. 6

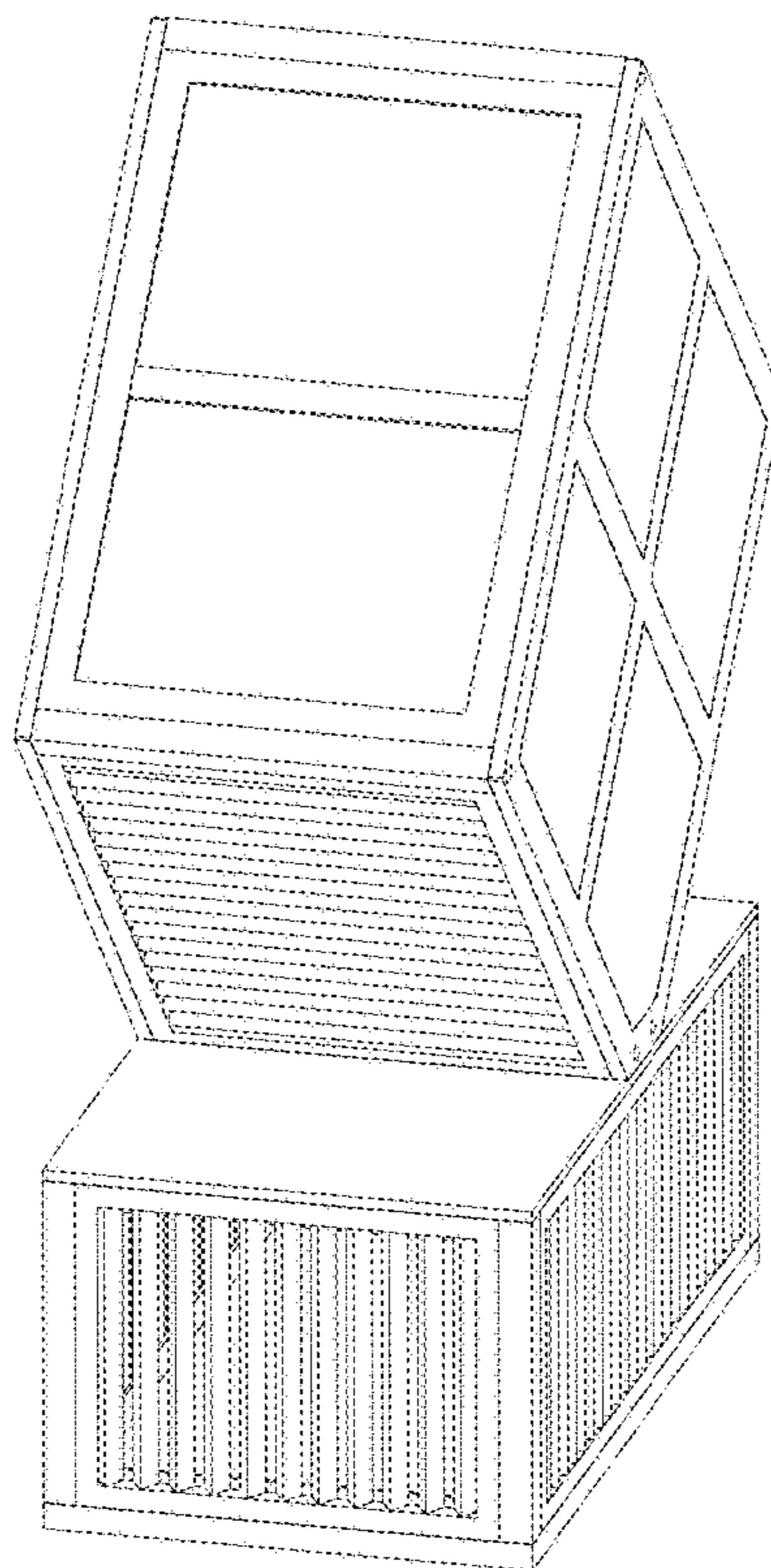


FIG. 7