



US00D865754S

(12) **United States Design Patent**
Mihara

(10) **Patent No.:** **US D865,754 S**

(45) **Date of Patent:** **** Nov. 5, 2019**

(54) **AUTOMOTIVE MULTI-MEDIA PLAYER**

(71) Applicant: **JVC KENWOOD Corporation**,
Yokohama-shi, Kanagawa (JP)

(72) Inventor: **Masaya Mihara**, Yokohama (JP)

(73) Assignee: **JVC KENWOOD CORPORATION**,
Yokohama-Shi, Kanagawa (JP)

(**) Term: **15 Years**

(21) Appl. No.: **29/648,993**

(22) Filed: **May 25, 2018**

(30) **Foreign Application Priority Data**

Jan. 23, 2018 (JP) D2018-001156

(51) **LOC (12) Cl.** **14-03**

(52) **U.S. Cl.**
USPC **D14/258; D14/203.7**

(58) **Field of Classification Search**
USPC D12/192, 195, 415, 420; D14/154, 157,
D14/168-171, 188-198, 203.7, 257-258,
D14/496; 248/27.1, 27.3, 558; 455/347,
455/350; D10/65
CPC B60R 11/02; B60K 37/04; B60K 37/06;
B60K 35/00; B60K 37/02; H04B 1/06;
H04B 1/08; H04B 1/082; G11B 33/02
See application file for complete search history.

(56) **References Cited**

U.S. PATENT DOCUMENTS

D559,228 S * 1/2008 Iwamoto D14/157
D630,184 S * 1/2011 Tomono D14/157
D630,185 S * 1/2011 Tomono D14/157

D683,326 S * 5/2013 Sanlerville D14/157
D741,834 S * 10/2015 Kimura D14/203.7
D745,857 S * 12/2015 Funayama D14/258
D775,604 S * 1/2017 Kimura D14/258
D793,886 S * 8/2017 Ichikawa D14/258
D817,321 S * 5/2018 Sakata D14/258
D817,359 S * 5/2018 Mihara D14/203.7

* cited by examiner

Primary Examiner — Sandra L Morris

(74) *Attorney, Agent, or Firm* — Cantor Colburn LLP

(57) **CLAIM**

The ornamental design for an automotive multi-media player, as shown and described.

DESCRIPTION

FIG. 1 is a perspective view of an automotive multi-media player;
FIG. 2 is a top view of FIG. 1;
FIG. 3 is a bottom view of FIG. 1;
FIG. 4 is a rear view of FIG. 1;
FIG. 5 is a front view of FIG. 1;
FIG. 6 is a right side view of FIG. 1; and,
FIG. 7 is a left side view of FIG. 1.
The broken line showing is for illustrative purposes only, and forms no part of the claimed design.

1 Claim, 5 Drawing Sheets

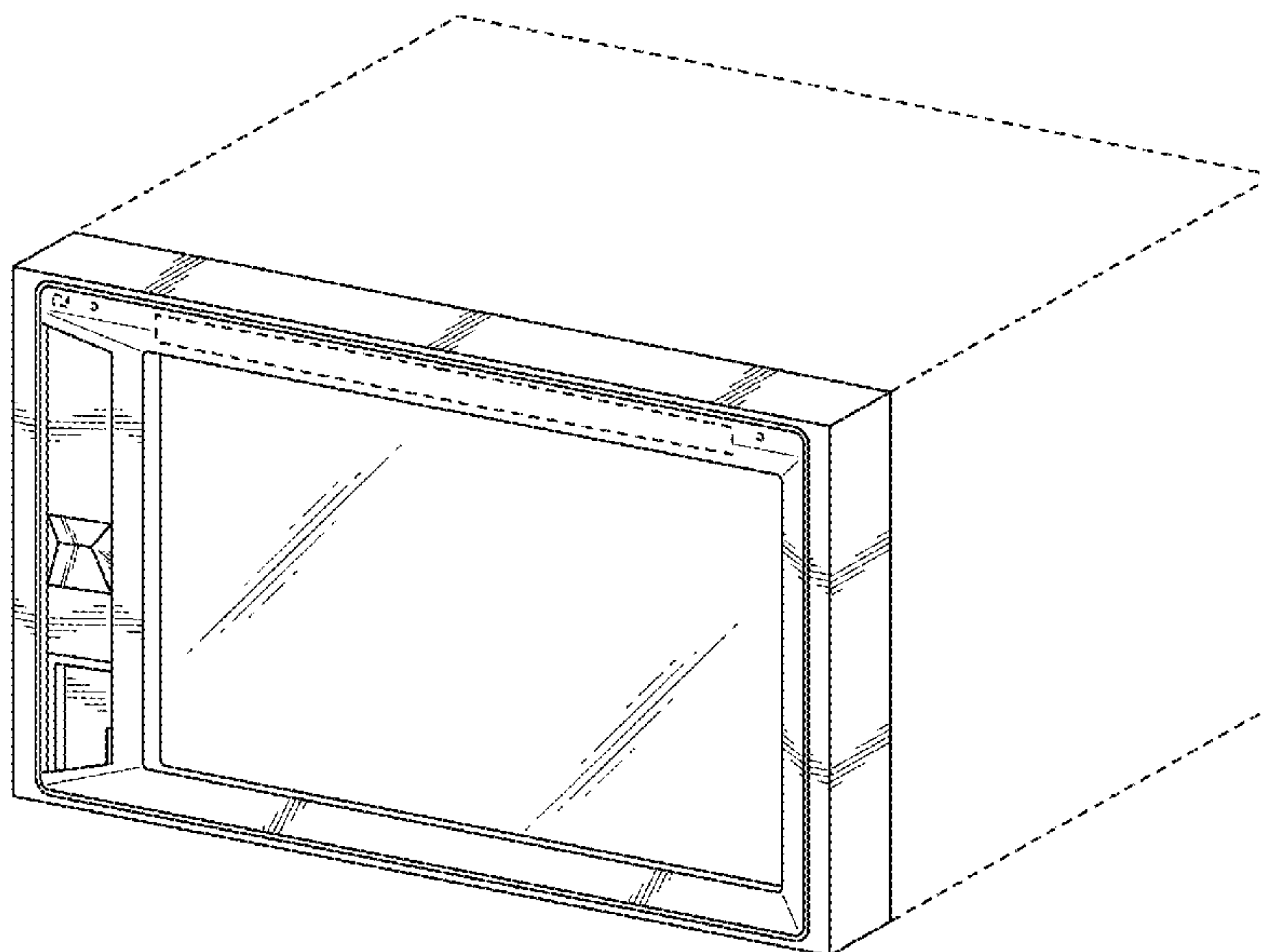


FIG. 1

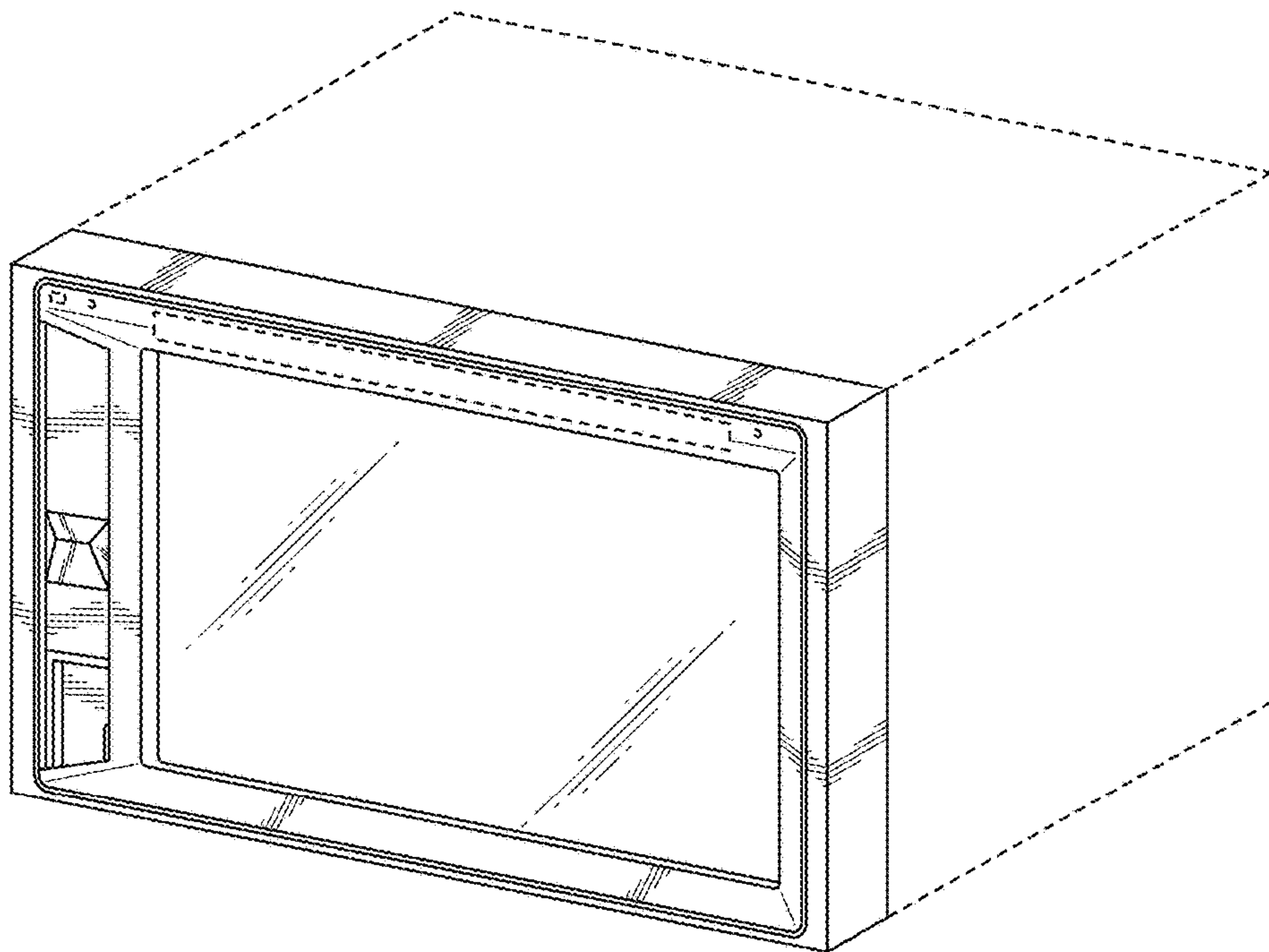


FIG. 2

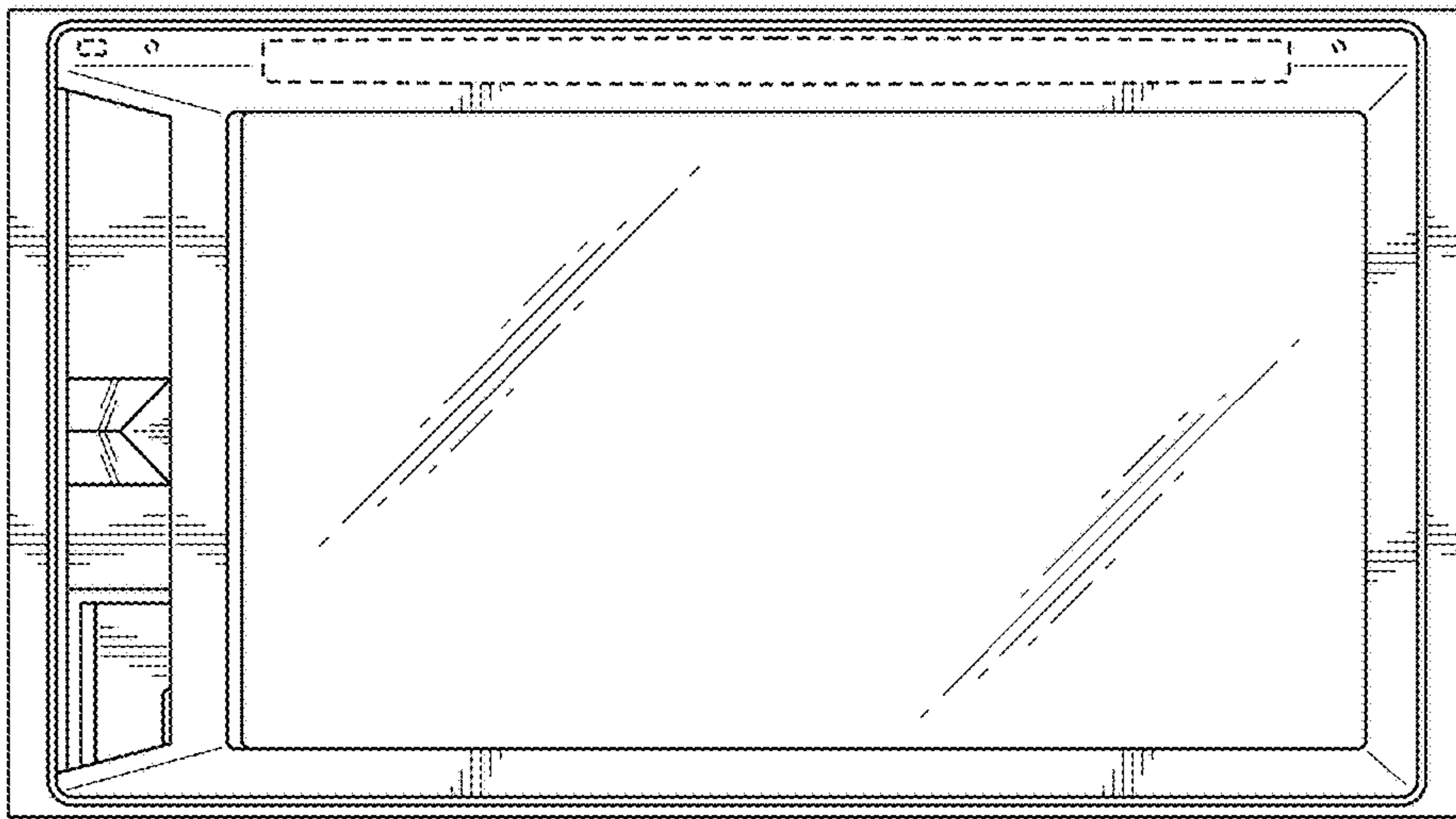


FIG. 3



FIG. 4

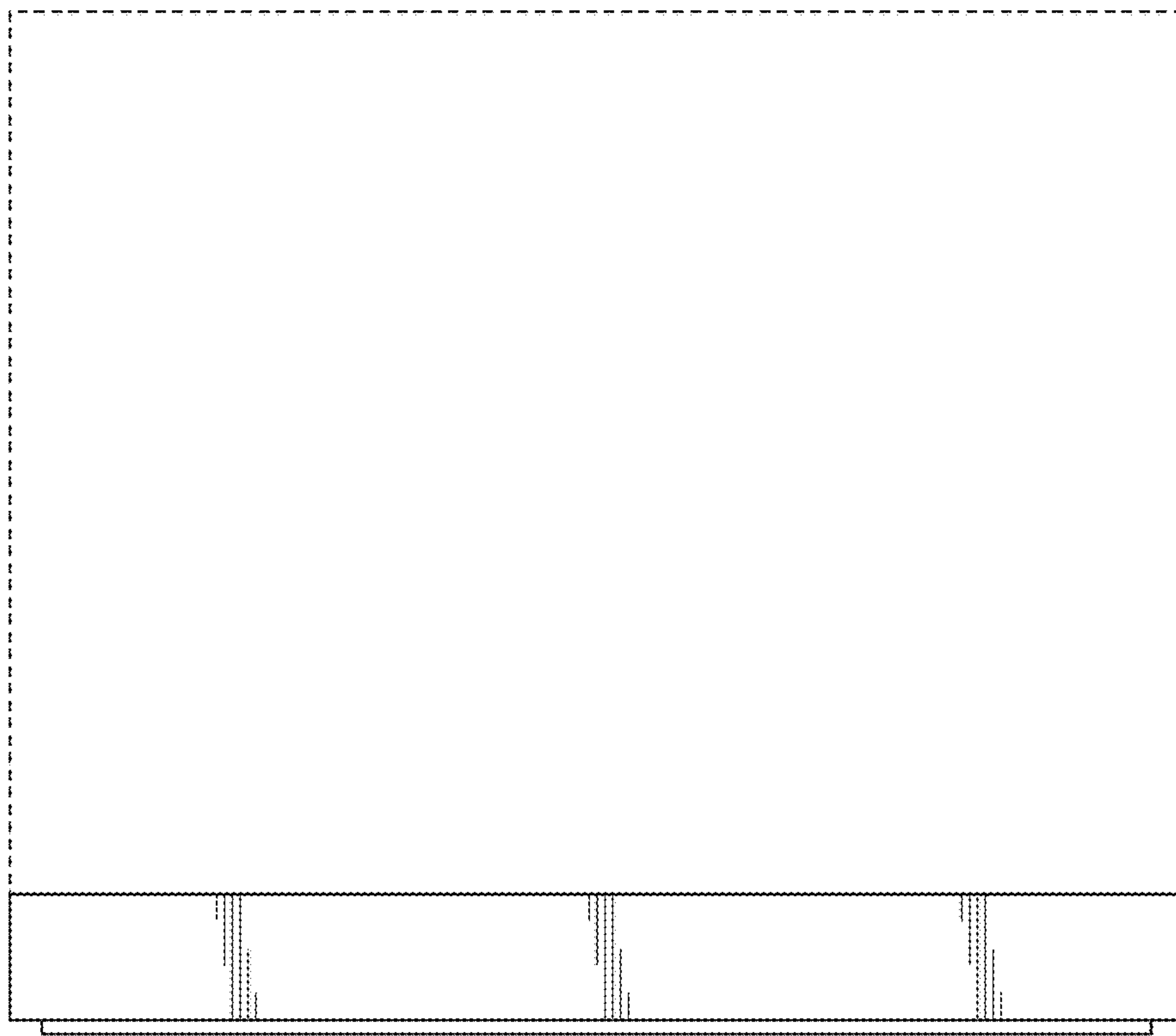


FIG. 5

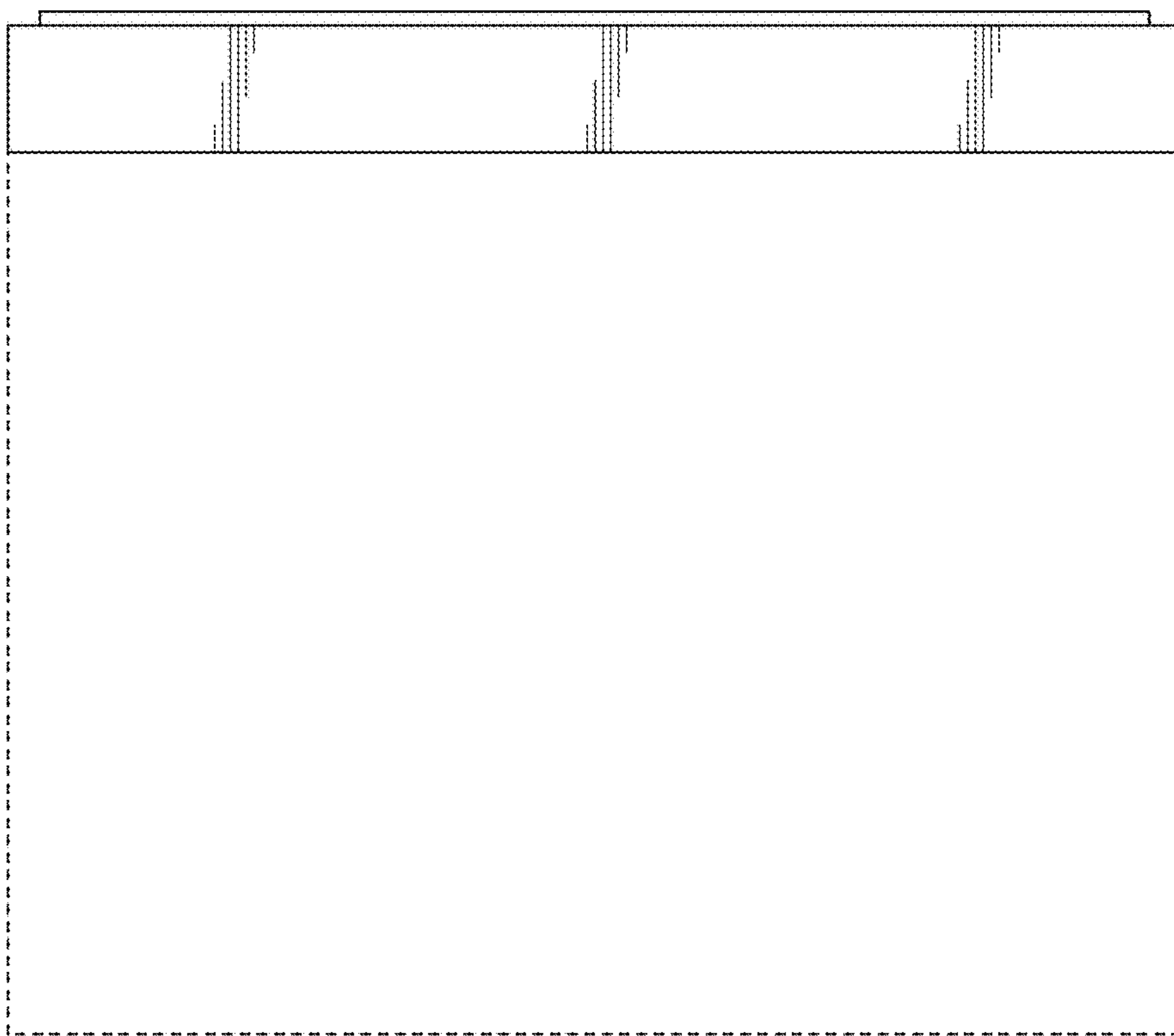


FIG. 6



FIG. 7

