



US00D865753S

(12) **United States Design Patent** (10) **Patent No.:** **US D865,753 S**
Date (45) **Date of Patent:** **** Nov. 5, 2019**

(54) **STAND FOR A MOBILE TELEPHONE**
(71) Applicant: **ADABIT JAPAN LLC**, Tokyo (JP)
(72) Inventor: **Kenzo Date**, Tokyo (JP)
(73) Assignee: **ADABIT JAPAN, LLC**, Tokyo (JP)
(**) Term: **15 Years**

(21) Appl. No.: **35/506,033**
(22) Filed: **May 10, 2018**

(80) **Hague Agreement Data**
Int. Filing Date: **May 10, 2018**
Int. Reg. No.: **DM/101190**
Int. Reg. Date: **May 10, 2018**
Int. Reg. Pub. Date: **Nov. 16, 2018**

(51) **LOC (12) Cl.** **14-03**
(52) **U.S. Cl.**
USPC **D14/253; D6/310**

(58) **Field of Classification Search**
USPC D6/310, 672, 675.3, 675.4, 676;
D14/140, 142, 149, 203.4, 203.8, 209.1,
D14/271, 240, 251, 252, 253, 434, 451
CPC A45C 2011/002; A45C 2011/003; A45C
2011/15; F16M 11/38; G06F 1/1632;
G06F 1/1647; H04M 1/04
See application file for complete search history.

(56) **References Cited**
U.S. PATENT DOCUMENTS

D227,326 S * 6/1973 Venuta D6/310
D249,953 S * 10/1978 Drake D19/91
D280,869 S * 10/1985 Hauville D6/310
5,973,244 A * 10/1999 McCulloch G10G 5/00
248/121
D605,875 S * 12/2009 Buzzard D6/310
D643,223 S * 8/2011 Harding D6/310
D643,635 S * 8/2011 Harding D6/310
D647,326 S * 10/2011 Kellett D6/682.4

D681,625 S * 5/2013 Zehner D14/253
D696,031 S * 12/2013 Pitts Brown D6/310
D730,888 S * 6/2015 Malsan D14/253
D754,459 S * 4/2016 Wilton D6/682.3
9,469,499 B1 * 10/2016 Chen B65H 75/4434
D771,615 S * 11/2016 Pignotti D14/253
2005/0035163 A1 * 2/2005 French F41C 33/0227
224/243

(Continued)

FOREIGN PATENT DOCUMENTS

GB RGN 6006242 * 1/2017
GB RGN 6035239 * 5/2018
WO D101190-001 * 11/2018

Primary Examiner — George D. Kirschbaum
Assistant Examiner — Richard Kearney
(74) *Attorney, Agent, or Firm* — Muramatsu & Associates

(57) **CLAIM**

The ornamental design for stand for a mobile telephone, as shown and described.

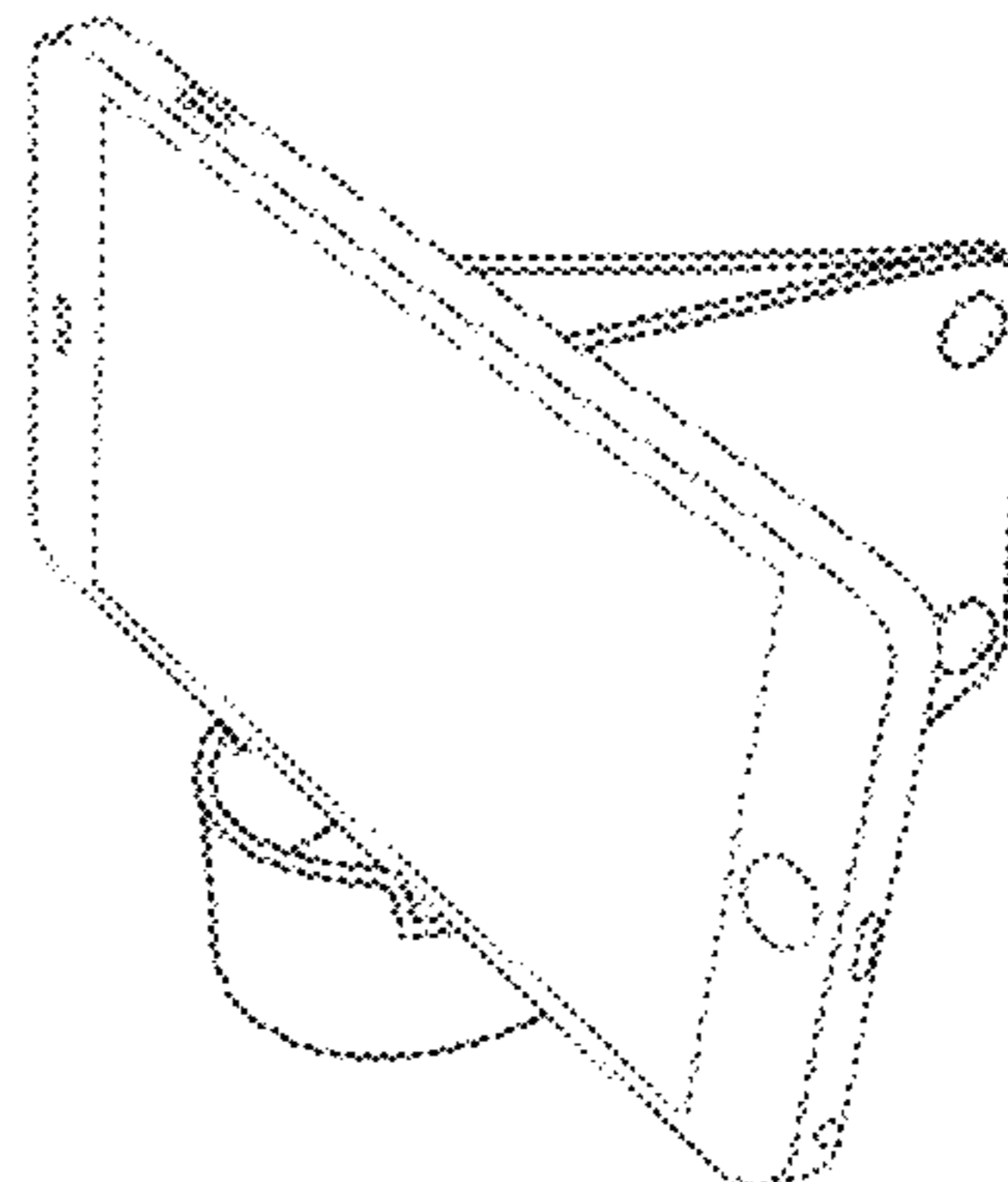
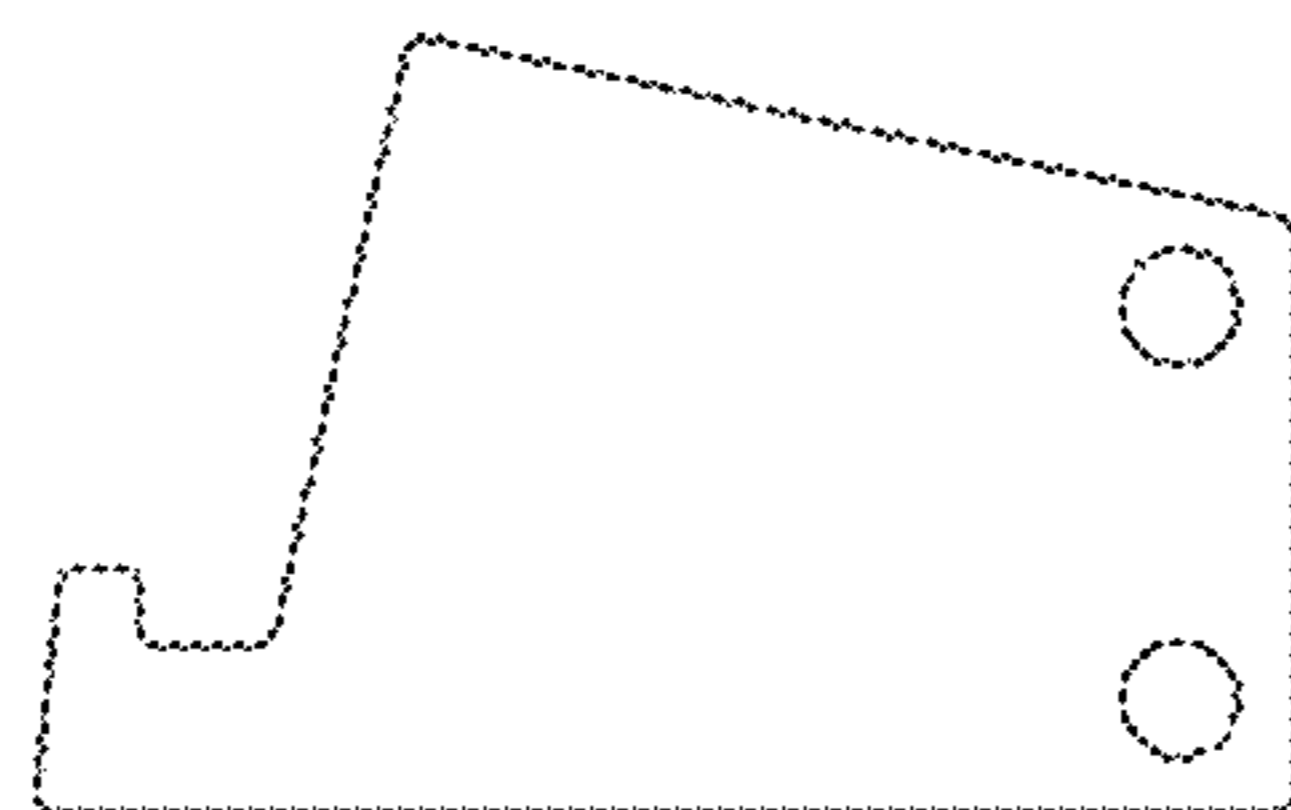
DESCRIPTION

- 1. Stand for a mobile telephone
- 1.1 : Front
- 1.2 : Back
- 1.3 : Right
- 1.4 : Left
- 1.5 : Top
- 1.6 : Bottom
- 1.7 : Unfolded
- 1.8 : Perspective

The design is a stand for mobile telephone shown by front view (1.1), back view (1.2), right view (1.3), left view (1.4), top view (1.5), bottom view (1.6), reference view showing unfolded state (1.7), and reference perspective view showing the state of use (1.8);

The mobile phone shown in dotted lines in FIG. 1.8 illustrates environmental subject matter that forms no part of the claimed design.

1 Claim, 8 Drawing Sheets



(56)

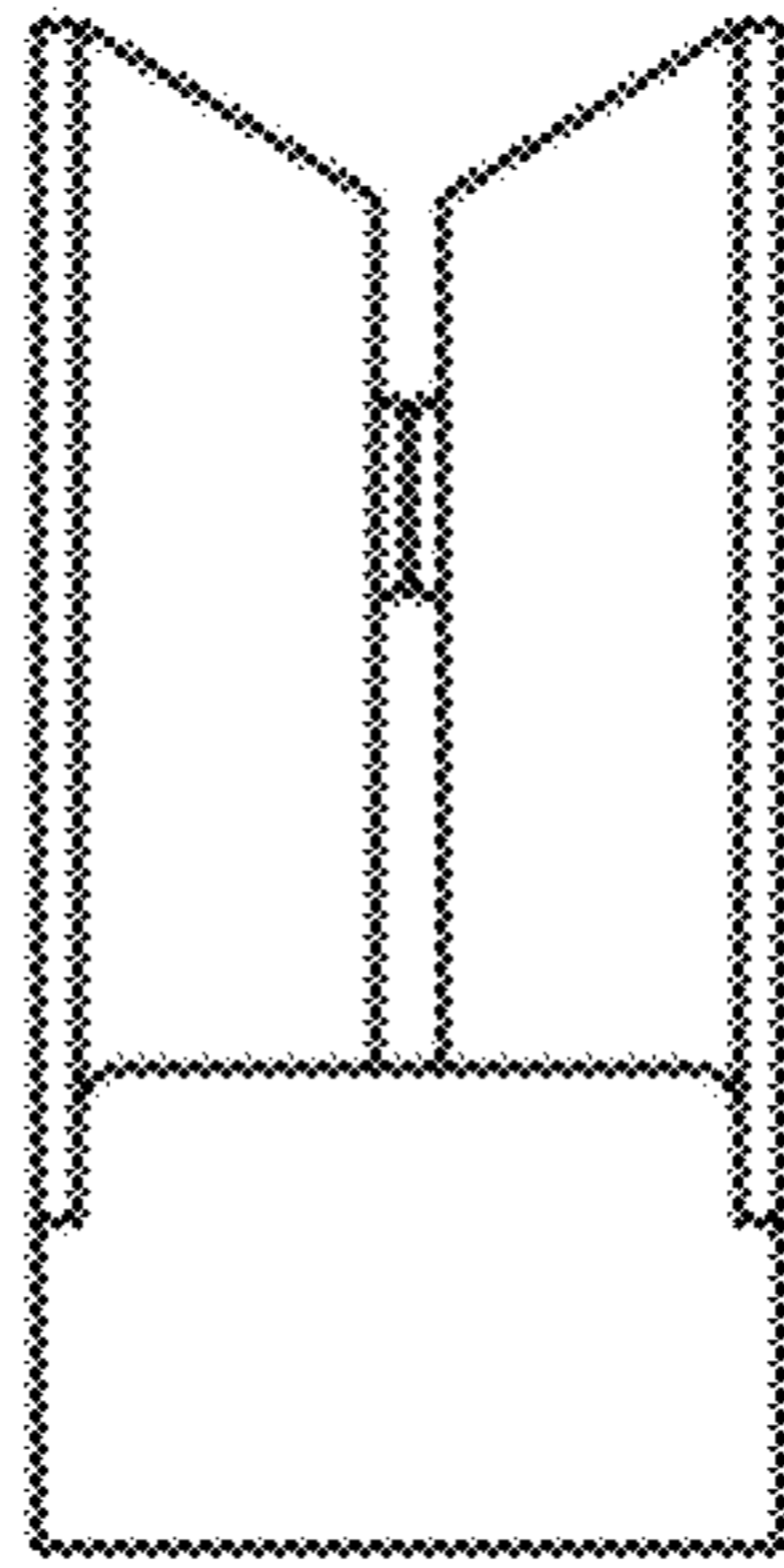
References Cited

U.S. PATENT DOCUMENTS

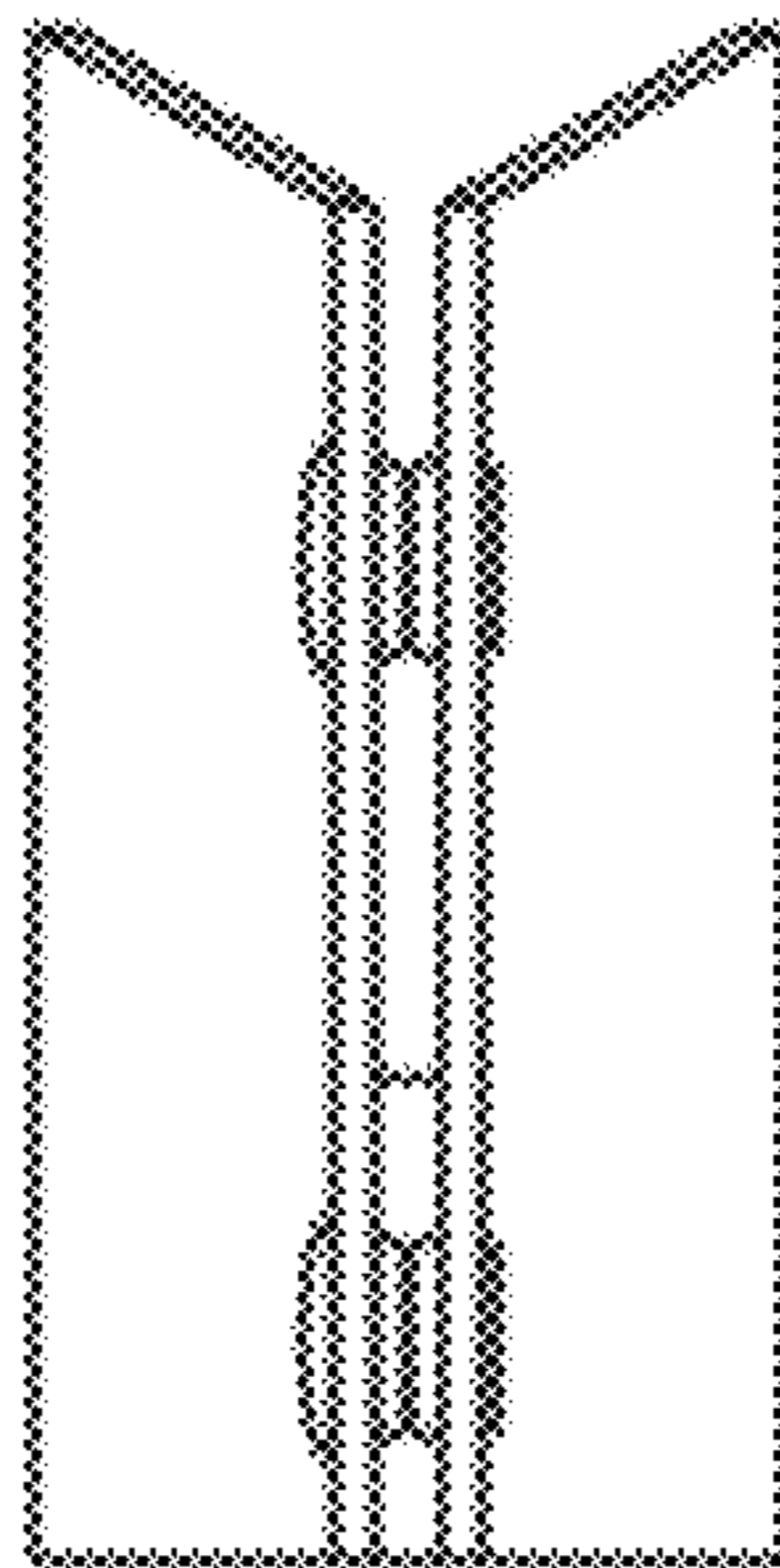
2009/0179124 A1* 7/2009 Caplan A47B 23/044
248/176.1
2009/0321605 A1* 12/2009 Petrie F16M 13/00
248/452
2015/0257535 A1* 9/2015 Chen A47B 23/044
361/679.01
2017/0230489 A1* 8/2017 Date G06F 1/1632

* cited by examiner

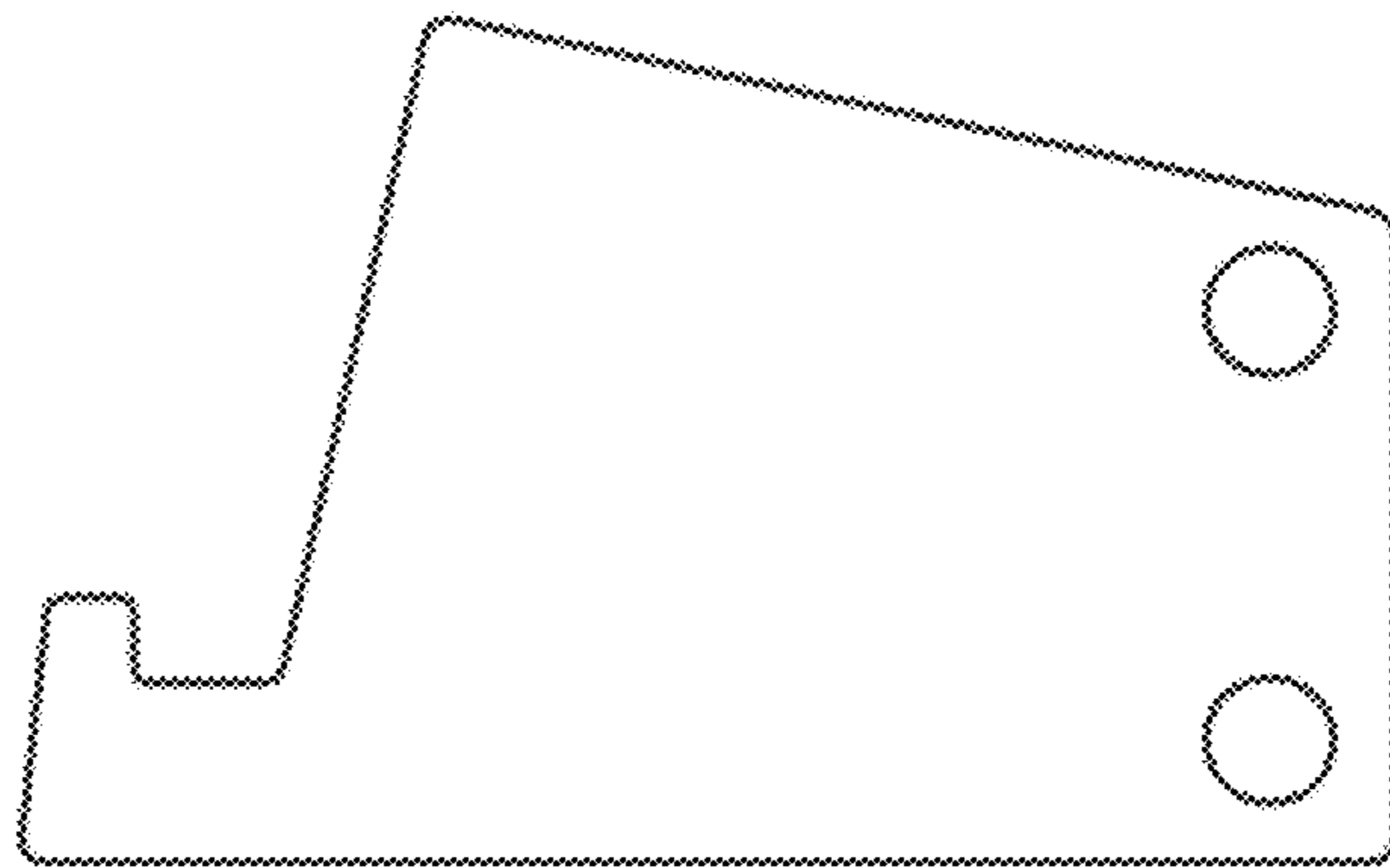
1.1



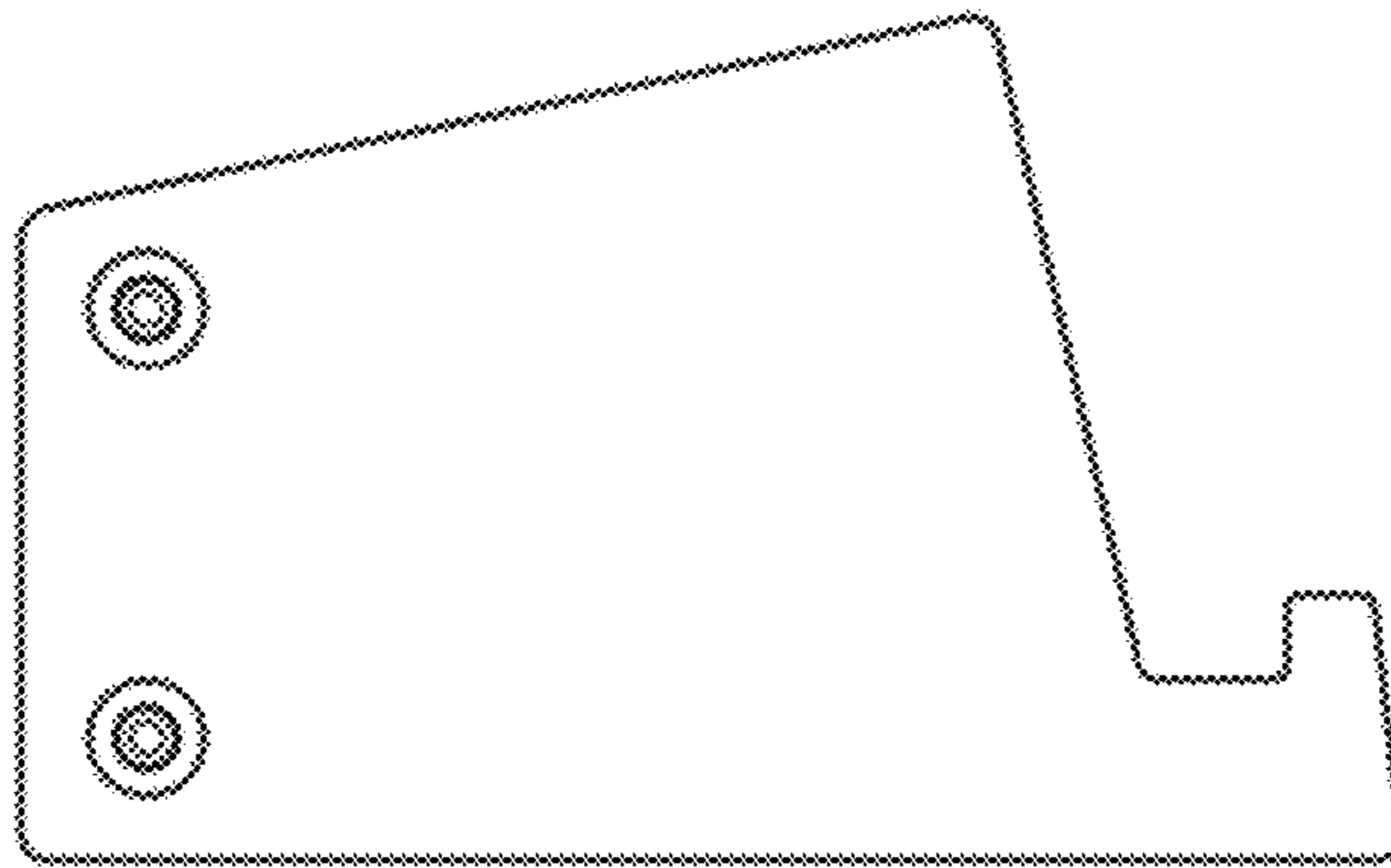
1.2



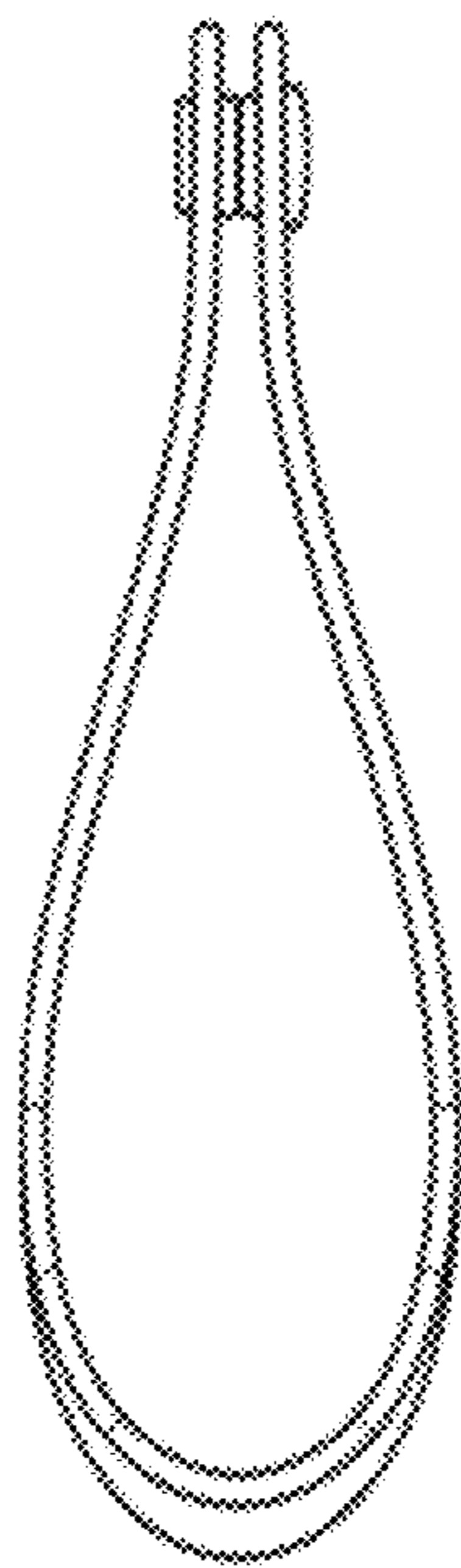
1.3



1.4



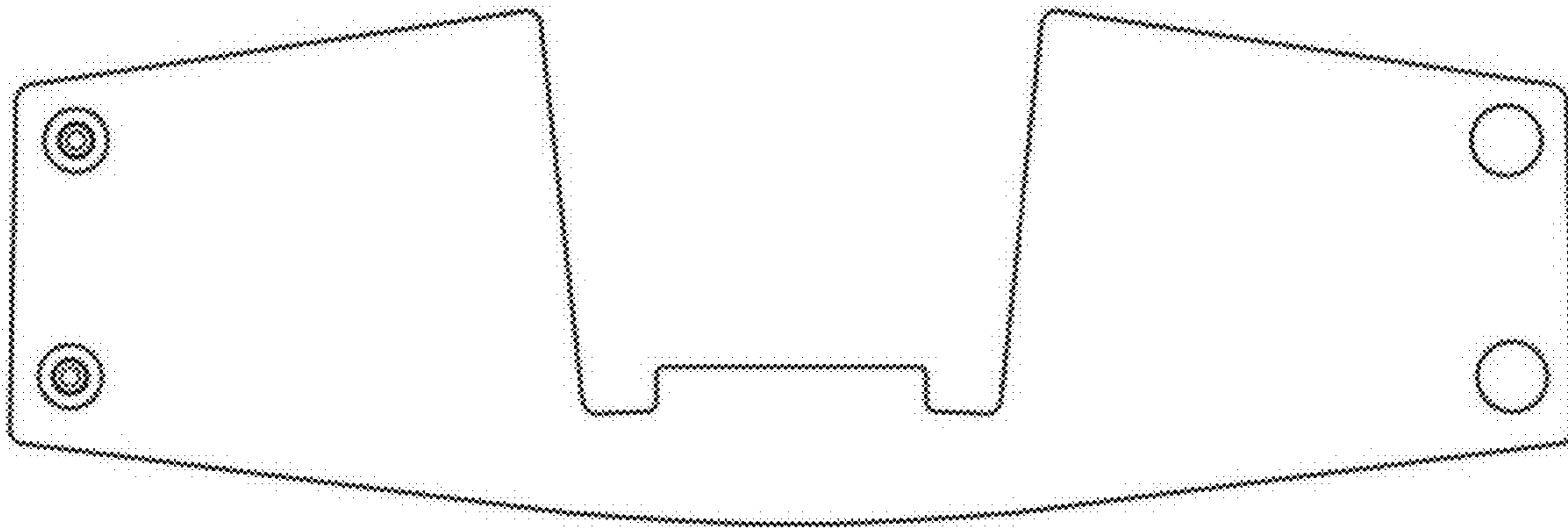
1.5



1.6



1.7



1.8

