



US00D865752S

(12) **United States Design Patent** (10) **Patent No.:** **US D865,752 S**  
**Richardson** (45) **Date of Patent:** **\*\* Nov. 5, 2019**

(54) **ELECTRONIC DEVICE HOLDER**  
(71) Applicant: **Rosalie Richardson**, Everett, WA (US)  
(72) Inventor: **Rosalie Richardson**, Everett, WA (US)  
(\*\*) Term: **15 Years**  
(21) Appl. No.: **29/649,524**  
(22) Filed: **May 31, 2018**  
(51) **LOC (12) Cl.** ..... **14-99**  
(52) **U.S. Cl.**  
USPC ..... **D14/253; D14/447**  
(58) **Field of Classification Search**  
USPC ..... D14/250–254, 217, 224, 224.1, 238.1,  
D14/299, 434, 447, 451–452, 483;  
D12/400, 415–426, 426.1, 114, 223;  
D16/242, 245; D10/74; D3/218;  
D13/107, 108; D19/75, 77, 81, 84, 91,  
D19/92  
CPC ..... B60R 11/00; B60R 11/02; B60R 11/0241;  
B60R 11/0252; B60R 2011/0003; B60R  
2011/0005; B60R 2011/0008; H04M  
1/04; H04B 1/3877; A45F 2200/0516;  
A45F 2200/0525; H05K 5/0204; F16M  
13/02; F16M 13/022; F16M 11/04; F16M  
11/041; F16B 2/12; H01F 7/0252; G03B  
17/561  
See application file for complete search history.

(56) **References Cited**  
U.S. PATENT DOCUMENTS

D238,945 S \* 2/1976 Macowski ..... D19/75  
D418,166 S \* 12/1999 Dill ..... D19/88  
D460,971 S \* 7/2002 Sica ..... D14/434  
D516,025 S \* 2/2006 Quinn ..... D13/108

D628,203 S \* 11/2010 Noble ..... D14/447  
7,969,732 B1 \* 6/2011 Noble ..... F16M 11/041  
248/917  
D645,047 S \* 9/2011 Wike ..... D14/447  
D659,696 S \* 5/2012 Lanza ..... D14/447  
D662,505 S \* 6/2012 Mori ..... D14/447  
D667,403 S \* 9/2012 Maus ..... D13/107  
D671,546 S \* 11/2012 Eberstein ..... D14/447  
D693,353 S \* 11/2013 Shu ..... D14/447  
D706,784 S \* 6/2014 Mills ..... D14/447  
D736,210 S \* 8/2015 Paradise ..... D14/434  
D746,807 S \* 1/2016 McGarry ..... D14/253  
D748,616 S \* 2/2016 Noble ..... D14/253  
9,338,903 B1 \* 5/2016 Loscalzo ..... A47B 23/042  
D763,244 S \* 8/2016 McGarry ..... D14/253  
D856,045 S \* 8/2019 Schwalbach ..... D6/682  
2012/0241581 A1 \* 9/2012 Chung ..... A47B 23/042  
248/346.06

\* cited by examiner

*Primary Examiner* — Jeffrey D Asch  
*Assistant Examiner* — Rebekah A Caruso

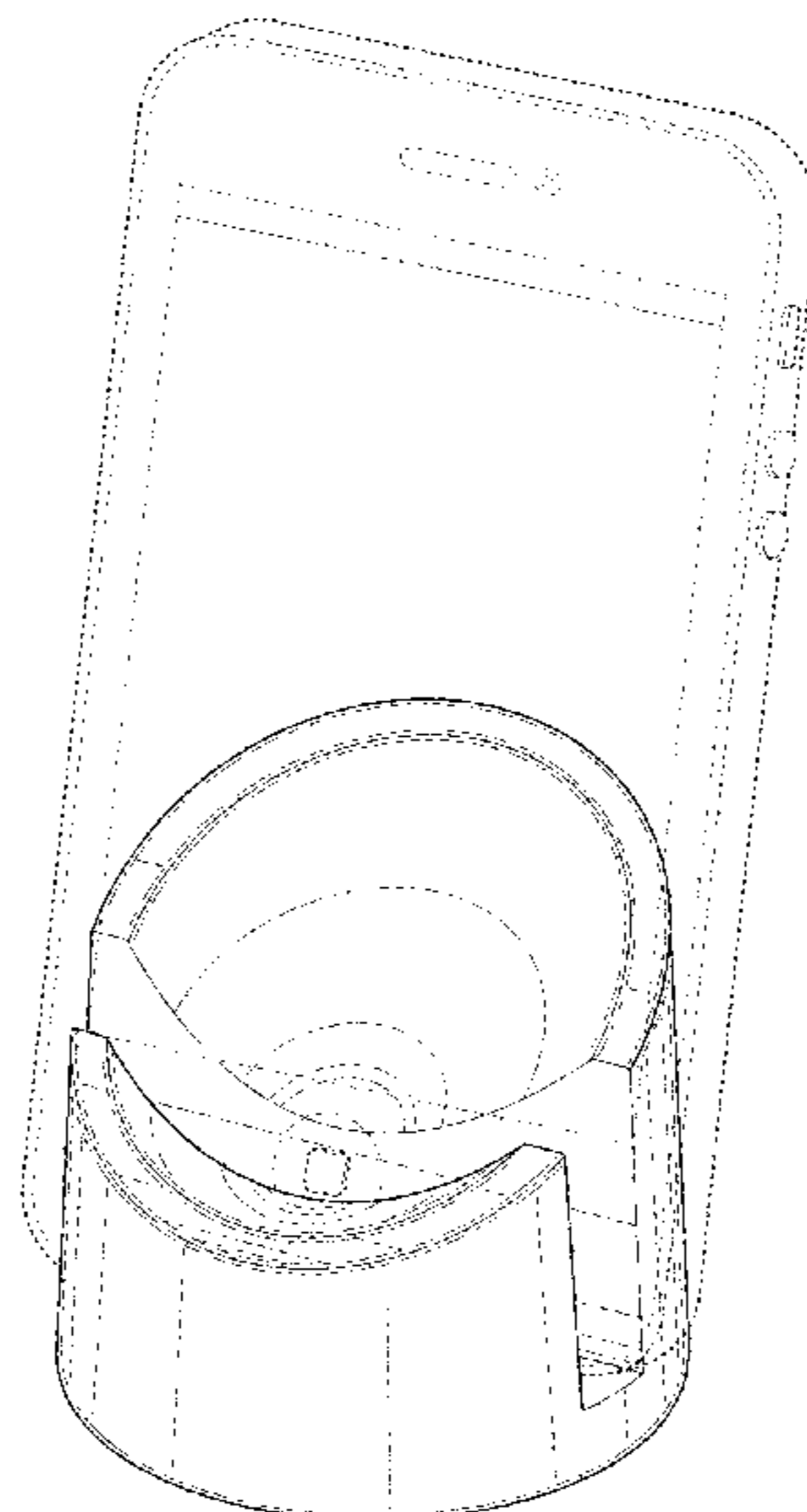
(57) **CLAIM**

The ornamental design for an electronic device holder, as shown and described.

**DESCRIPTION**

FIG. 1 is a perspective view of the electronic device holder showing my new design;  
FIG. 2 is a front elevation view thereof;  
FIG. 3 is a rear elevation view thereof;  
FIG. 4 is a right elevation view thereof;  
FIG. 5 is a left elevation view thereof;  
FIG. 6 is a top plan view thereof; and,  
FIG. 7 is a bottom plan view thereof.  
Broken lines are included for depicting environmental subject matter and form no part of the claimed design.

**1 Claim, 7 Drawing Sheets**



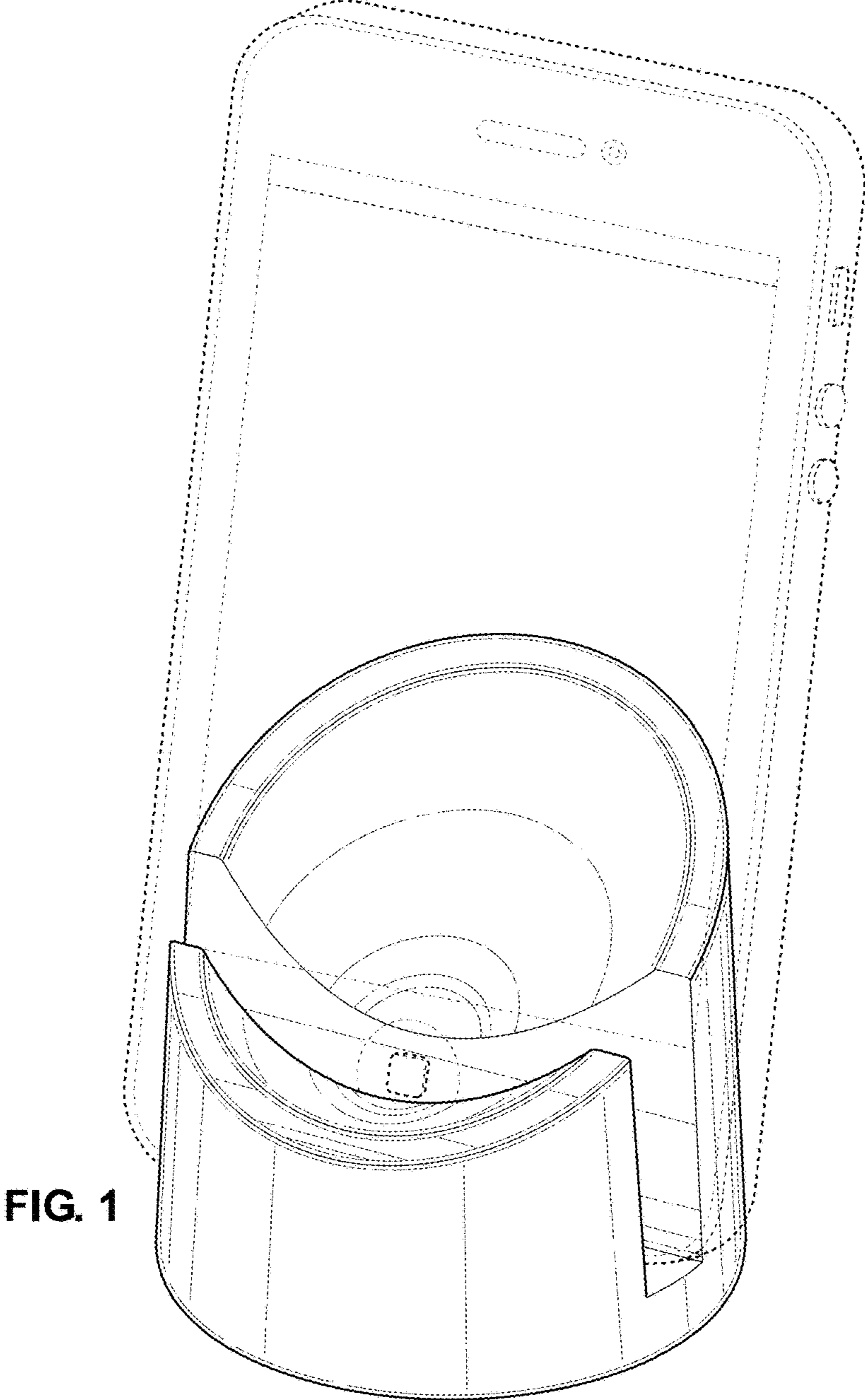


FIG. 1

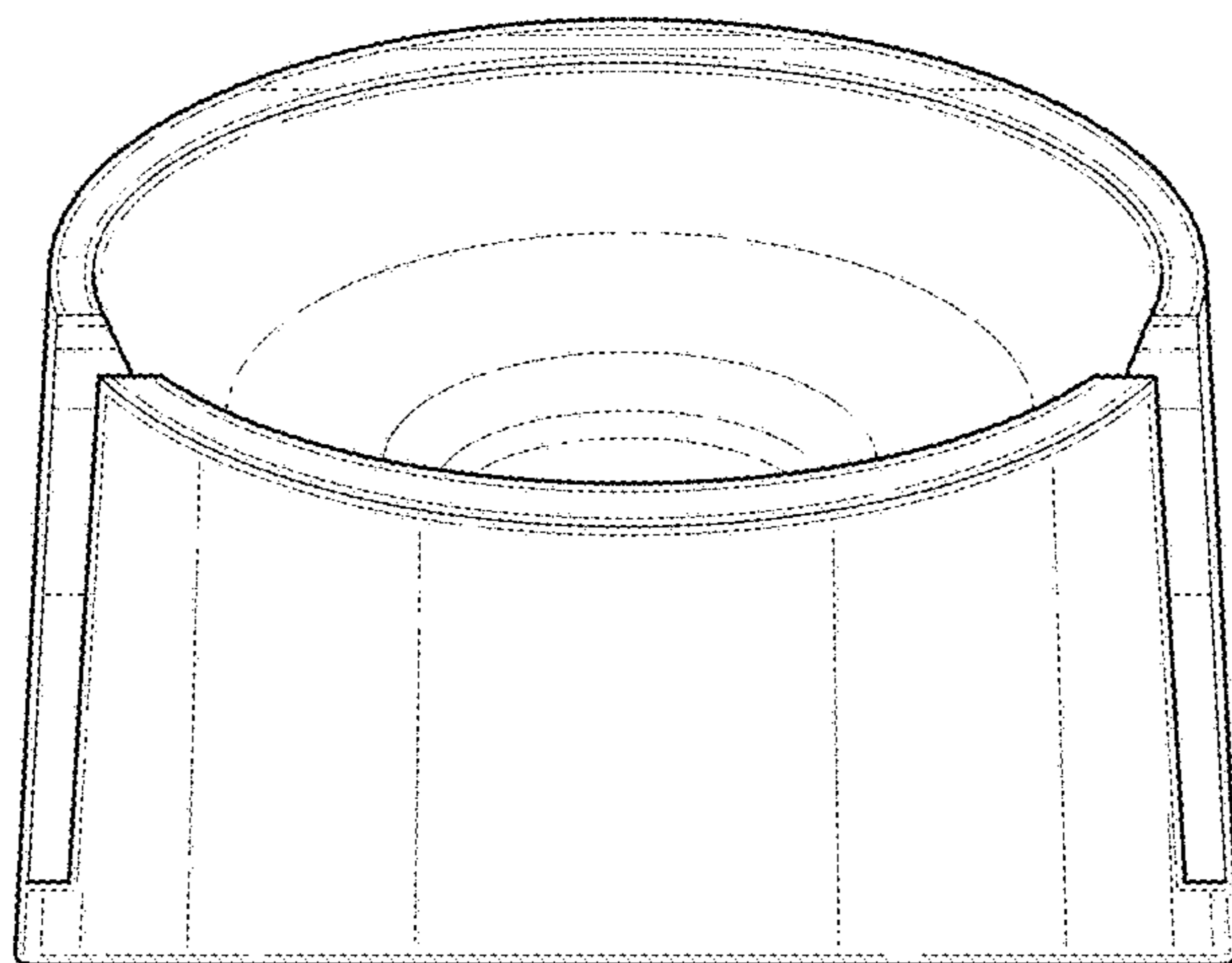


FIG. 2

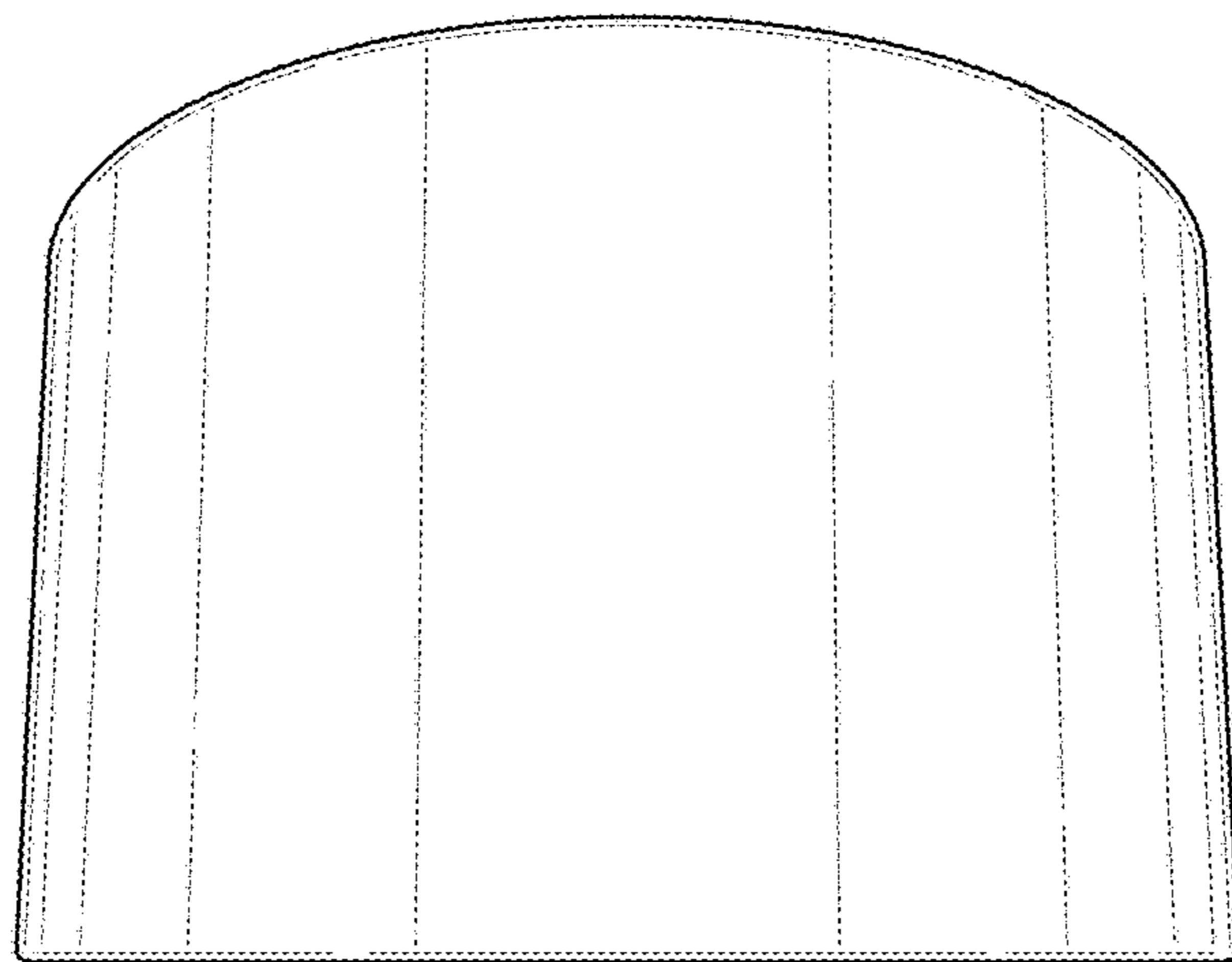


FIG. 3

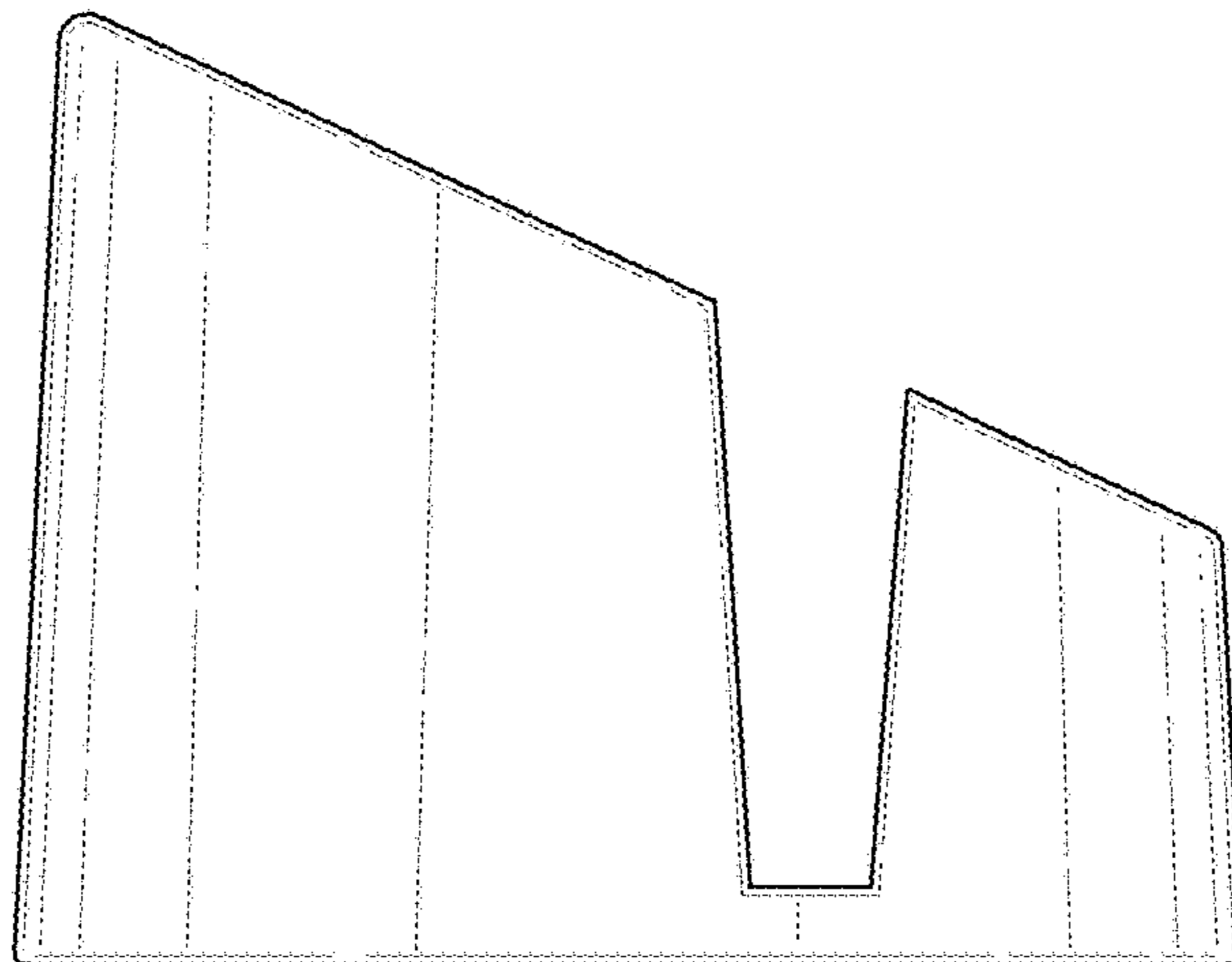


FIG. 4

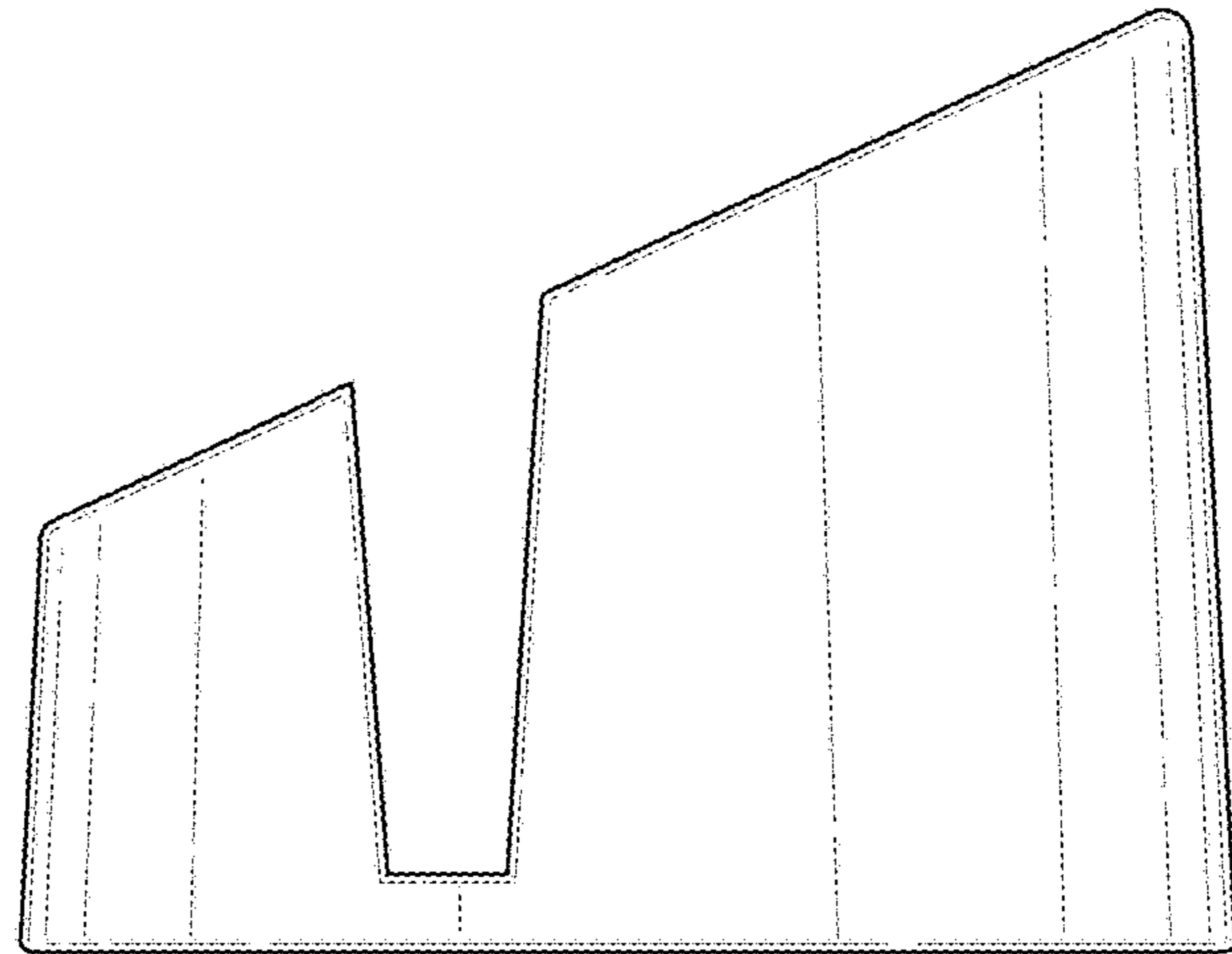


FIG. 5

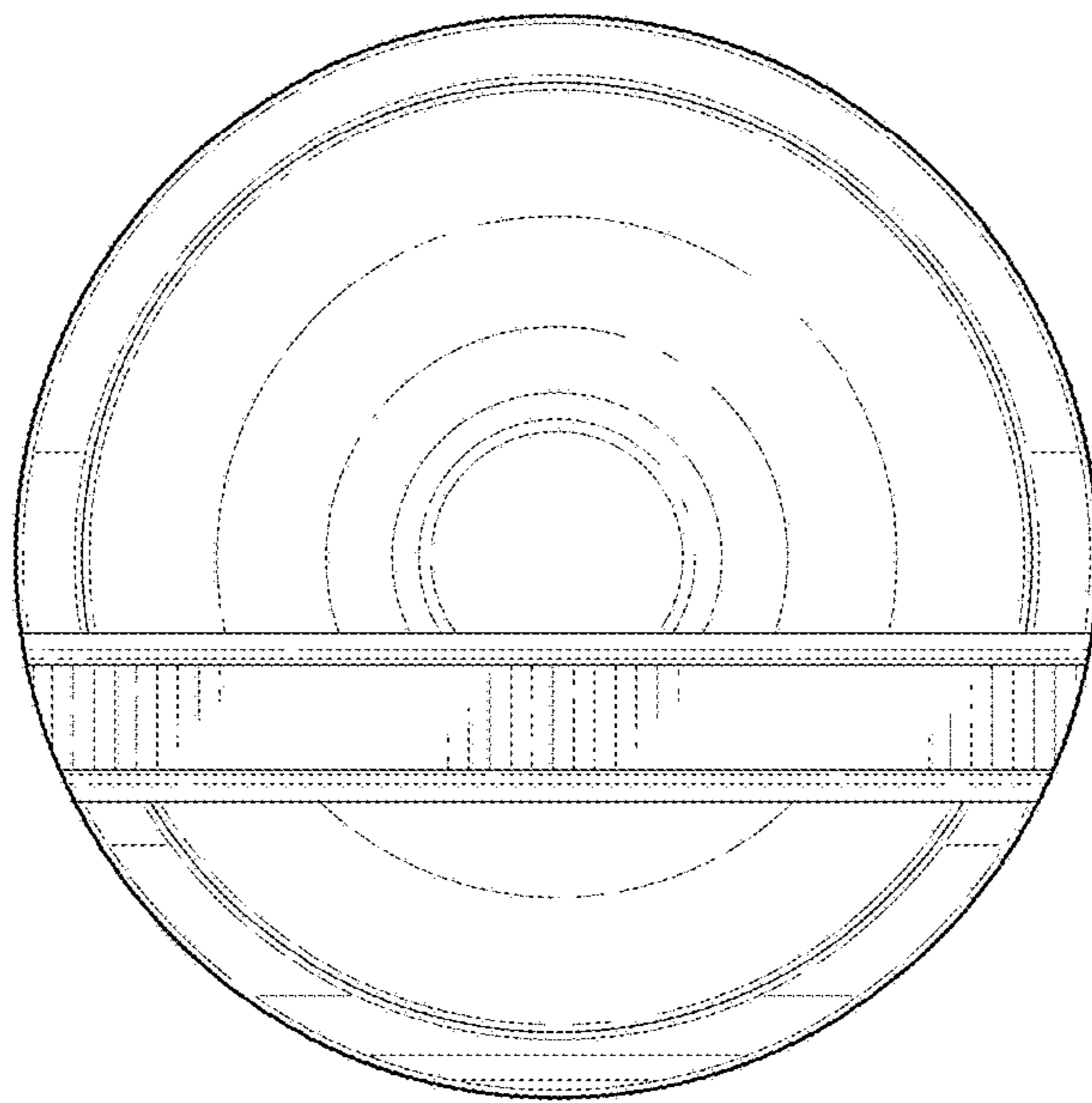


FIG. 6

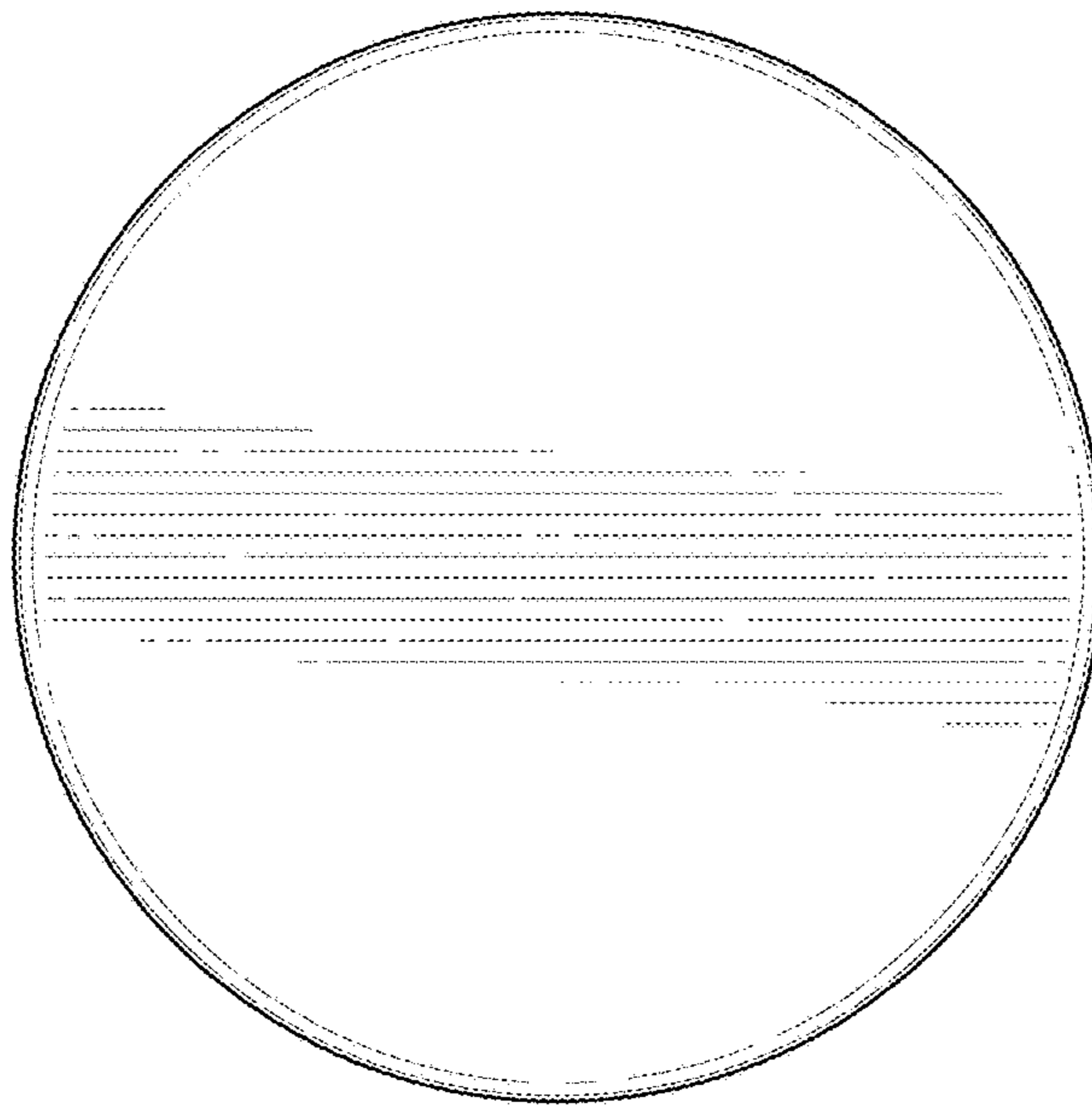


FIG. 7