



US00D865749S

(12) **United States Design Patent**
Fraiser

(10) **Patent No.:** **US D865,749 S**

(45) **Date of Patent:** **** Nov. 5, 2019**

(54) **HOLDER FOR AN ELECTRONIC DEVICE**

(71) Applicant: **NeoGeneration, LLC**, Roswell, GA (US)

(72) Inventor: **LeVar T. J. Fraiser**, Milton, GA (US)

(73) Assignee: **NEOGENERATION, LLC**, Roswell, GA (US)

(**) Term: **15 Years**

(21) Appl. No.: **29/616,444**

(22) Filed: **Sep. 6, 2017**

(51) **LOC (12) Cl.** **14-03**

(52) **U.S. Cl.**
USPC **D14/253**

(58) **Field of Classification Search**
USPC D14/251–253, 358, 432, 434, 440, 447;
D3/218; D16/242, 243; D12/415;
D13/107, 108
CPC A45C 11/00; A45F 5/00; F16M 11/06
See application file for complete search history.

(56) **References Cited**

U.S. PATENT DOCUMENTS

D590,184 S *	4/2009	Barabas	D14/253
D603,322 S *	11/2009	Nicieja	D12/415
D685,379 S *	7/2013	Richter	D14/253
D685,380 S *	7/2013	Richter	D14/253
D732,013 S *	6/2015	Aspinall	D14/253

D752,571 S *	3/2016	Richter	D14/253
D772,217 S *	11/2016	Alesi	D14/253
D772,218 S *	11/2016	Alesi	D14/253
D784,923 S *	4/2017	Song	D13/108
D840,994 S *	2/2019	Balmer	D14/253
D840,995 S *	2/2019	Balmer	D14/253
2014/0263931 A1 *	9/2014	Chen	F16M 11/041 248/576

* cited by examiner

Primary Examiner — Janice Hallmark

(74) *Attorney, Agent, or Firm* — BakerHostetler

(57) **CLAIM**

I claim the ornamental design of a holder for an electronic device, as shown and described.

DESCRIPTION

FIG. 1 is a front perspective view of a holder for an electronic device showing our new design in an environment in which it may be used;

FIG. 2 is a second front perspective view thereof showing the holder in an environment in which it may be used;

FIG. 3 is a top view thereof; and

FIG. 4 is a front view thereof;

FIG. 5 is a bottom view thereof.

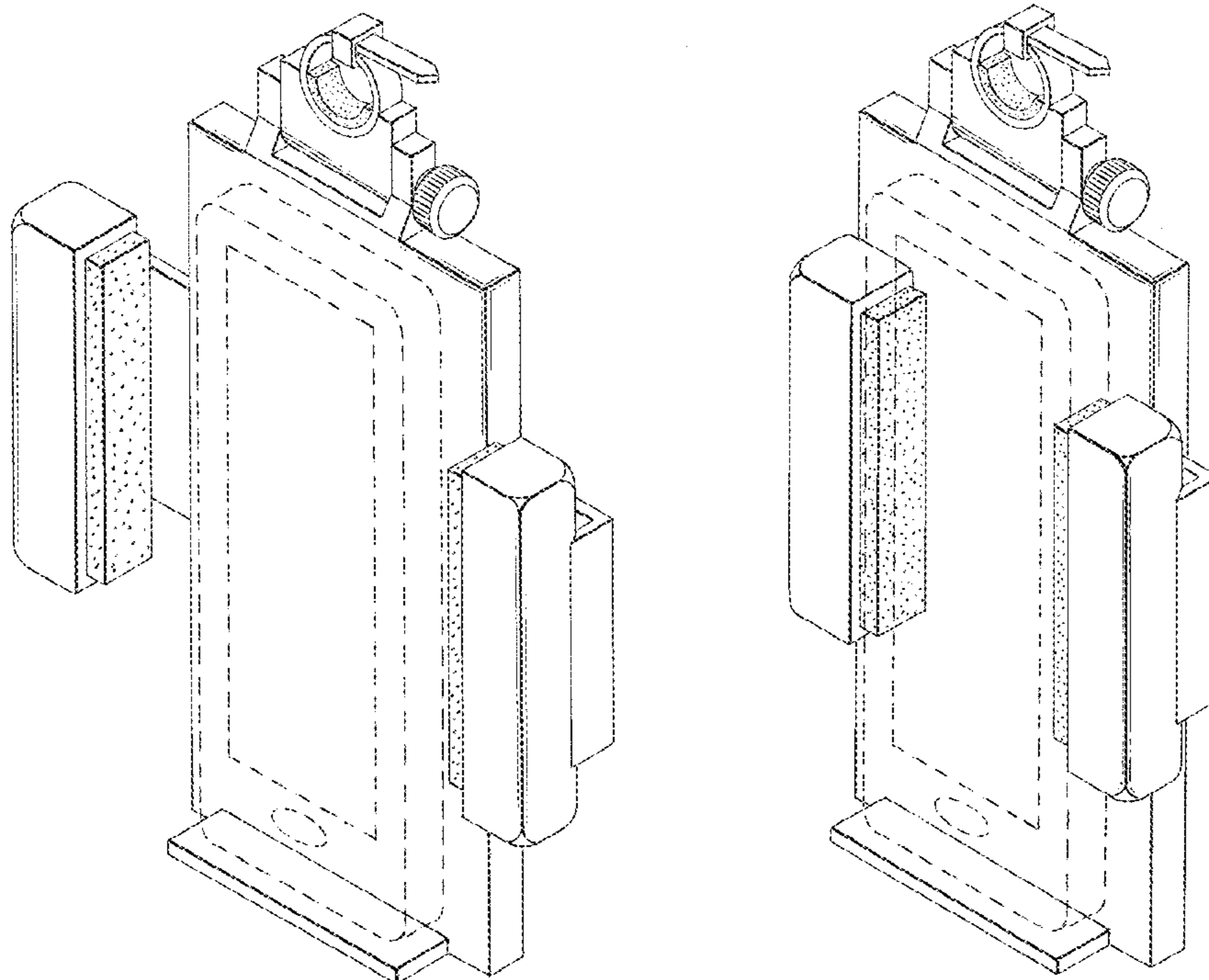
FIG. 6 is a rear view thereof;

FIG. 7 is a left side view thereof; and,

FIG. 8 is a right side view thereof.

The broken lines in the figures are for environmental purposes only and form no part of the claimed design.

1 Claim, 5 Drawing Sheets



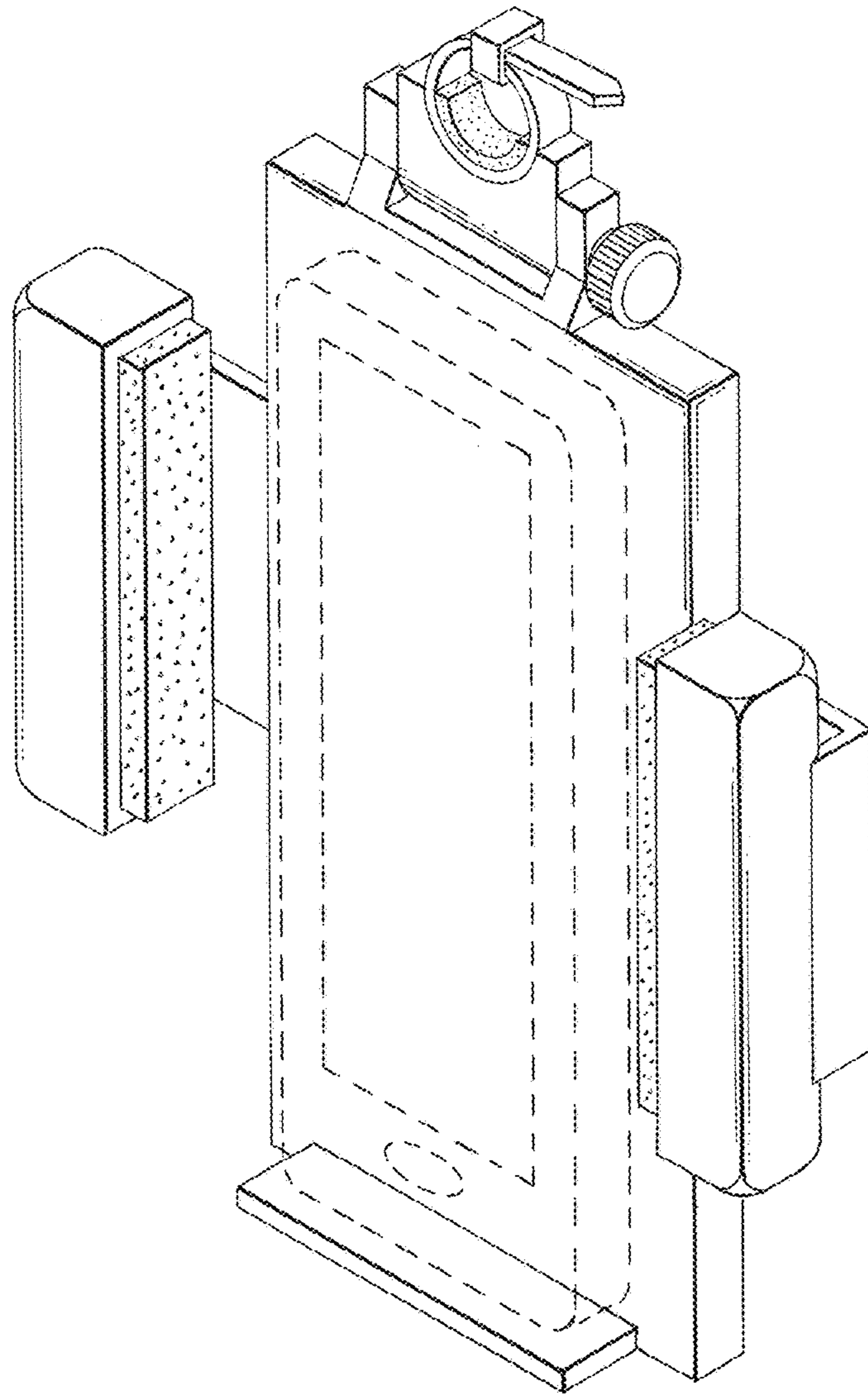


FIG.1

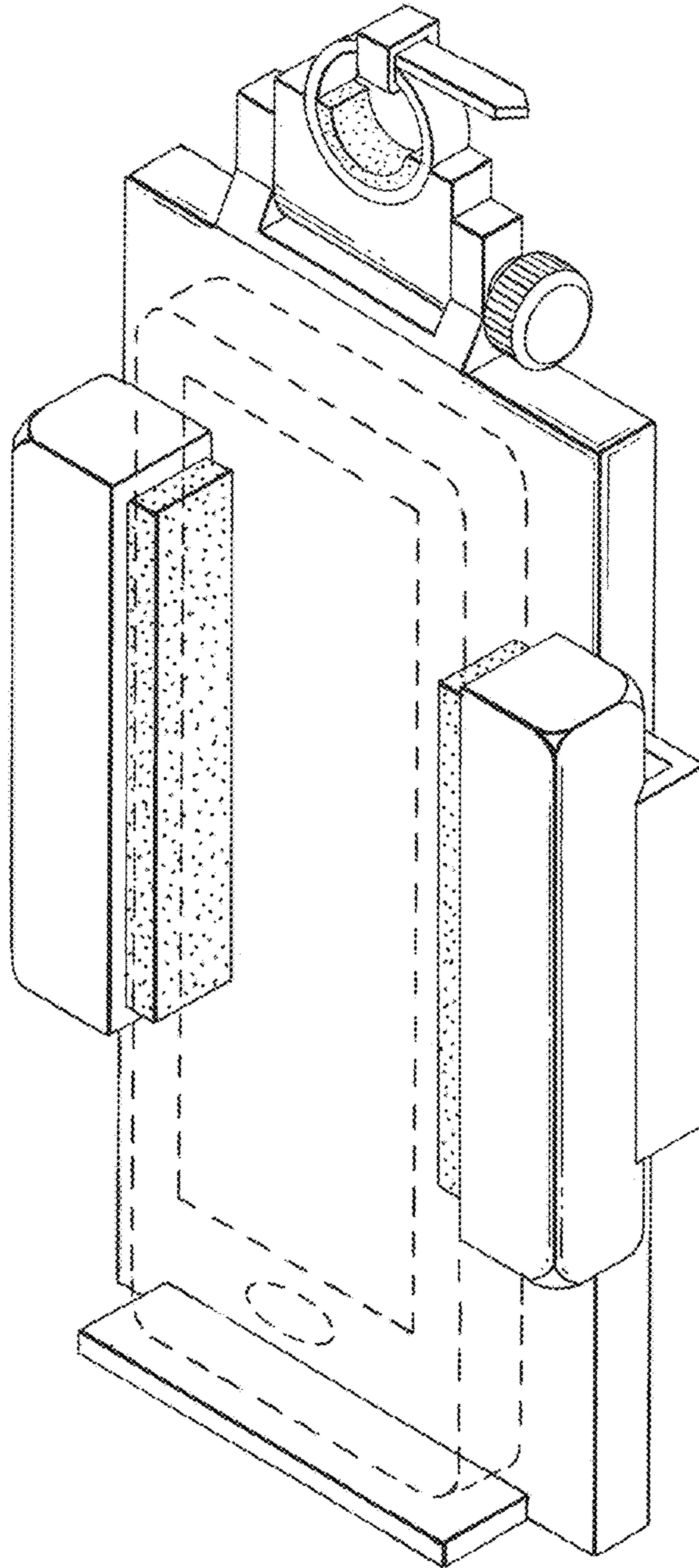


FIG.2

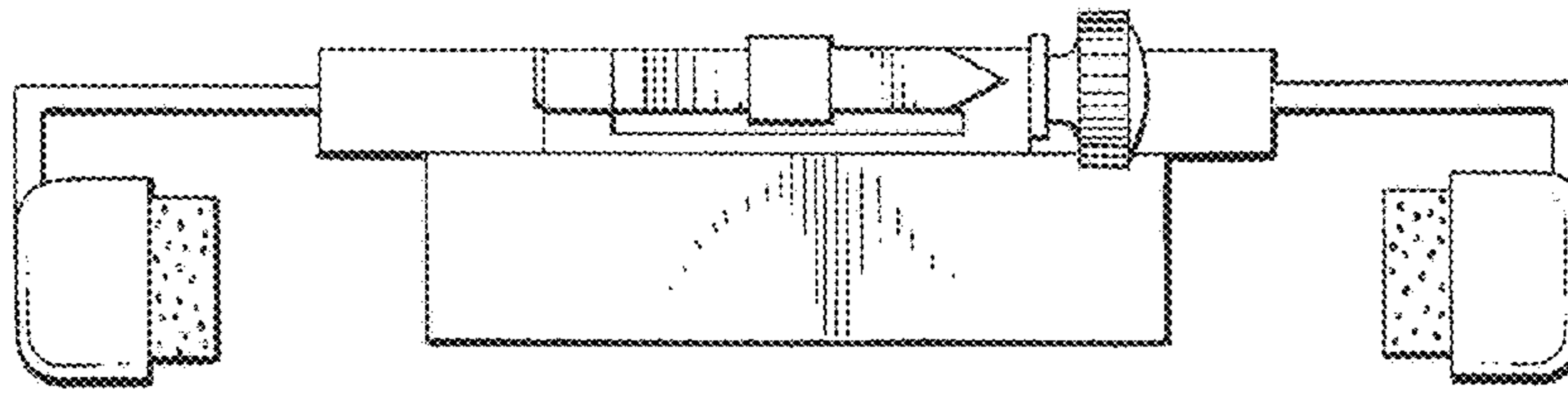


FIG. 3

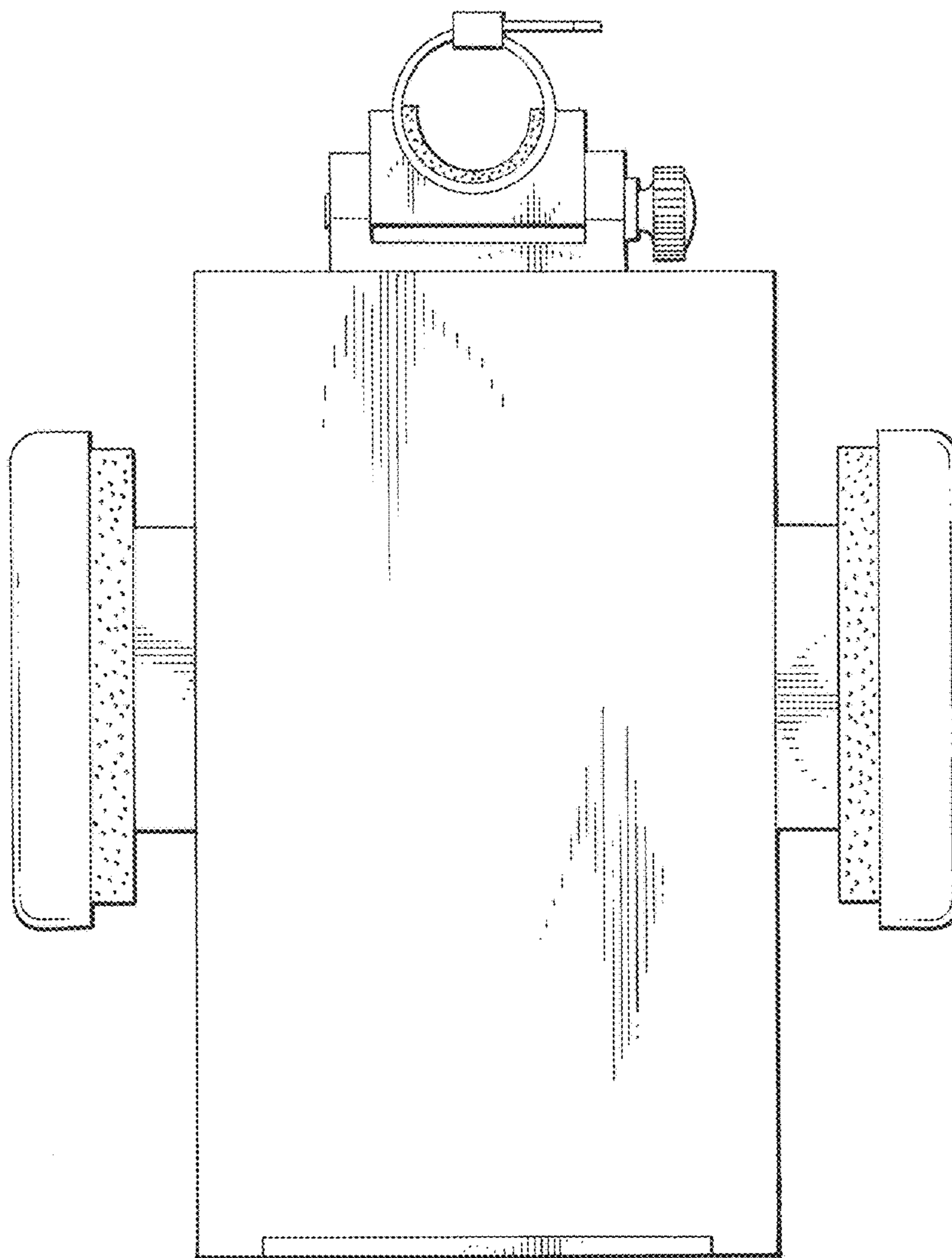


FIG. 4

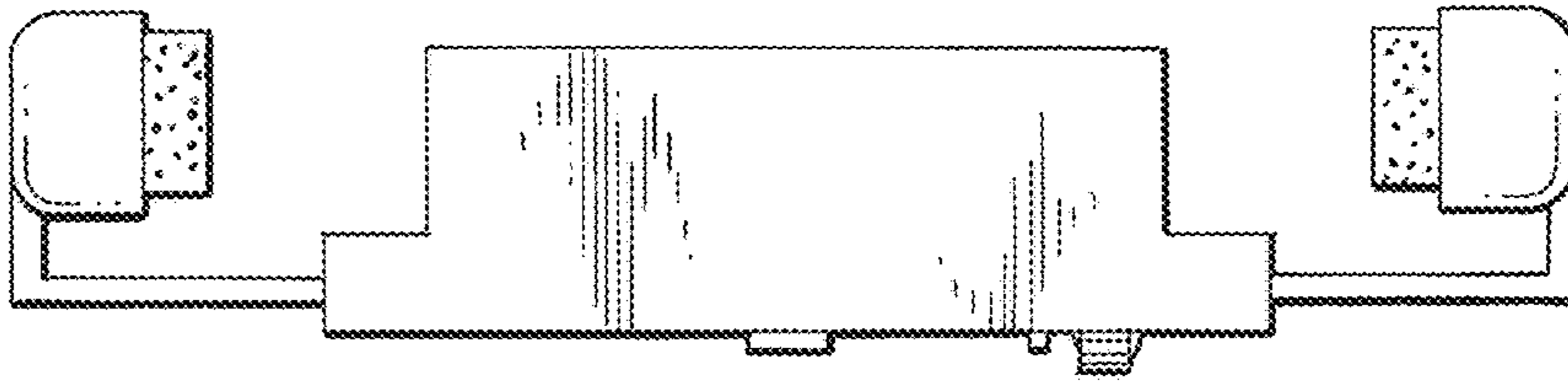


FIG. 5

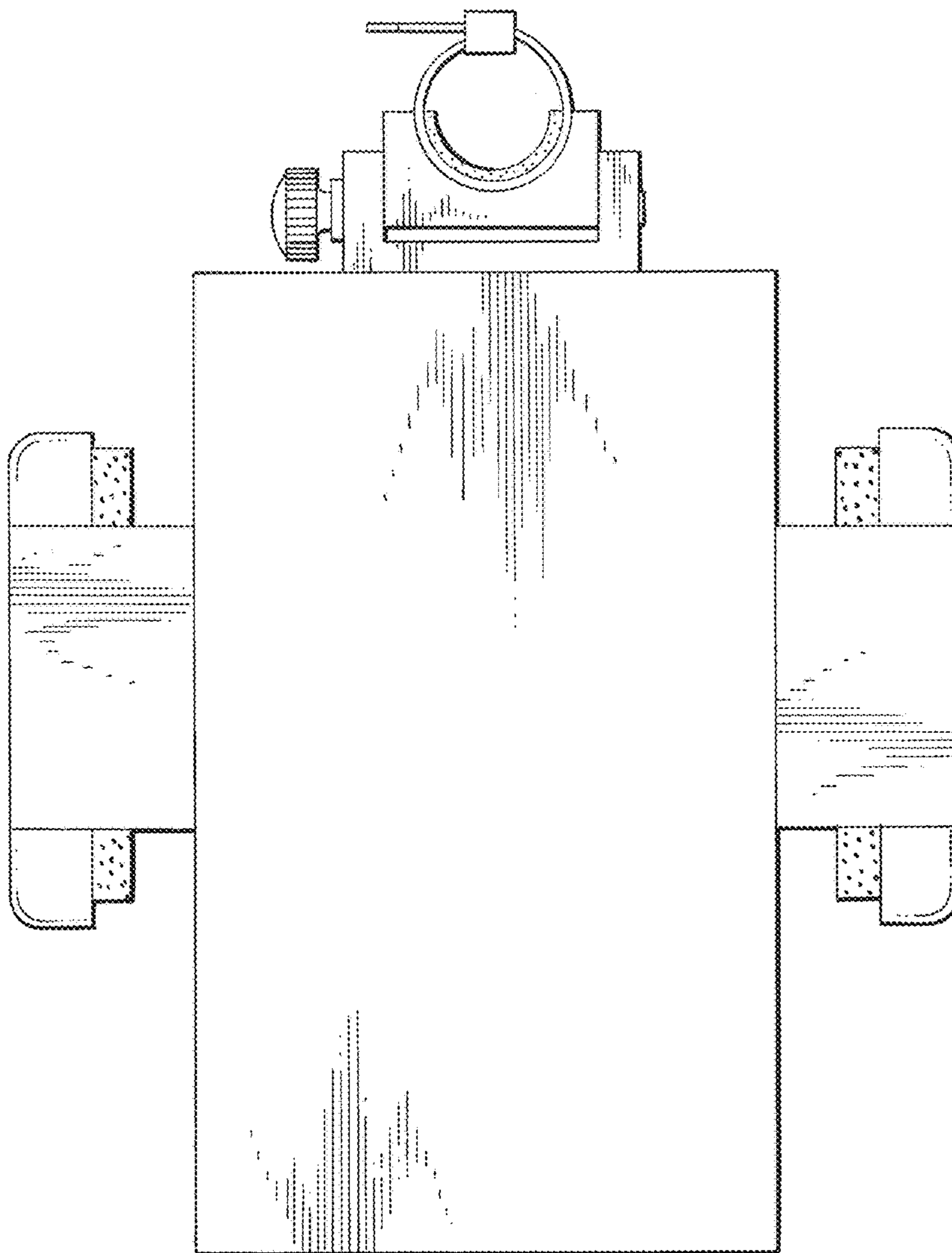


FIG. 6

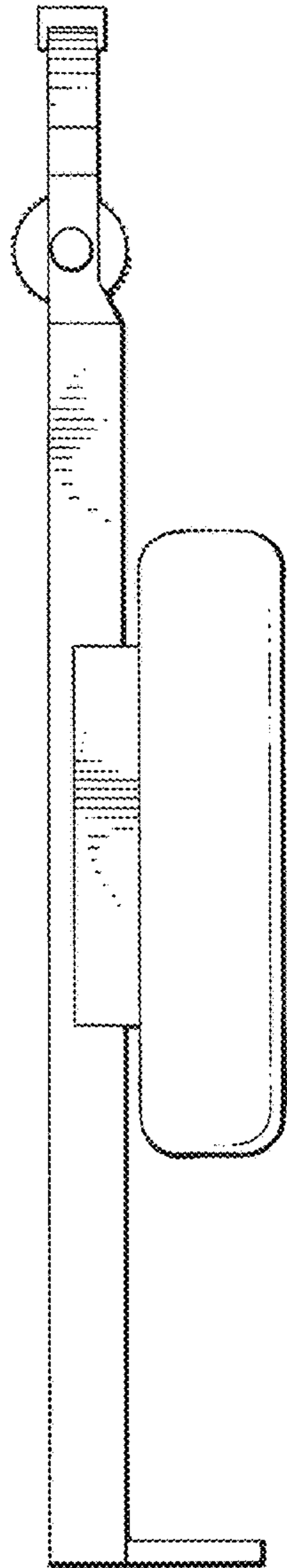


FIG. 7

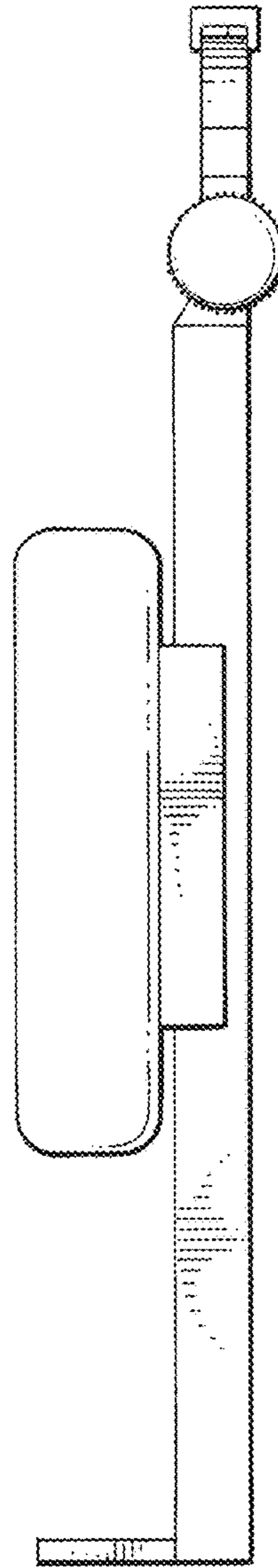


FIG. 8