



US00D865748S

(12) **United States Design Patent** (10) **Patent No.:** **US D865,748 S**
Li (45) **Date of Patent:** **** Nov. 5, 2019**

(54) **CELLPHONE HOLDER**
(71) Applicant: **Fujian Shuangyi Bamboo and Wood Development Co., Ltd, Nanping (CN)**
(72) Inventor: **Zhisheng Li, Nanping (CN)**
(**) Term: **15 Years**
(21) Appl. No.: **29/615,525**
(22) Filed: **Aug. 29, 2017**
(51) **LOC (12) Cl.** **14-03**
(52) **U.S. Cl.**
USPC **D14/253**
(58) **Field of Classification Search**
USPC D14/251-253, 358, 432, 434, 440, 447;
D3/218; D16/242, 243; D12/415;
D13/107, 108
CPC A45C 11/00; A45F 5/00; F16M 11/06
See application file for complete search history.

D721,073 S * 1/2015 Alesi D14/253
D722,437 S * 2/2015 Casesa D14/253
D757,730 S * 5/2016 Fletcher D14/434
D769,248 S * 10/2016 Biondo D14/447
D769,878 S * 10/2016 Fletcher D14/434
D829,718 S * 10/2018 Fletcher D14/434
D840,996 S * 2/2019 Lambert D14/253
D842,851 S * 3/2019 Leitman D14/253
2012/0074286 A1* 3/2012 Chou F16M 11/38
248/346.03
2013/0165188 A1* 6/2013 Carney H04M 1/0202
455/575.1

* cited by examiner

Primary Examiner — Janice Hallmark
(74) *Attorney, Agent, or Firm* — W&K IP

(57) **CLAIM**

The ornamental design for cellphone holder, as shown and described.

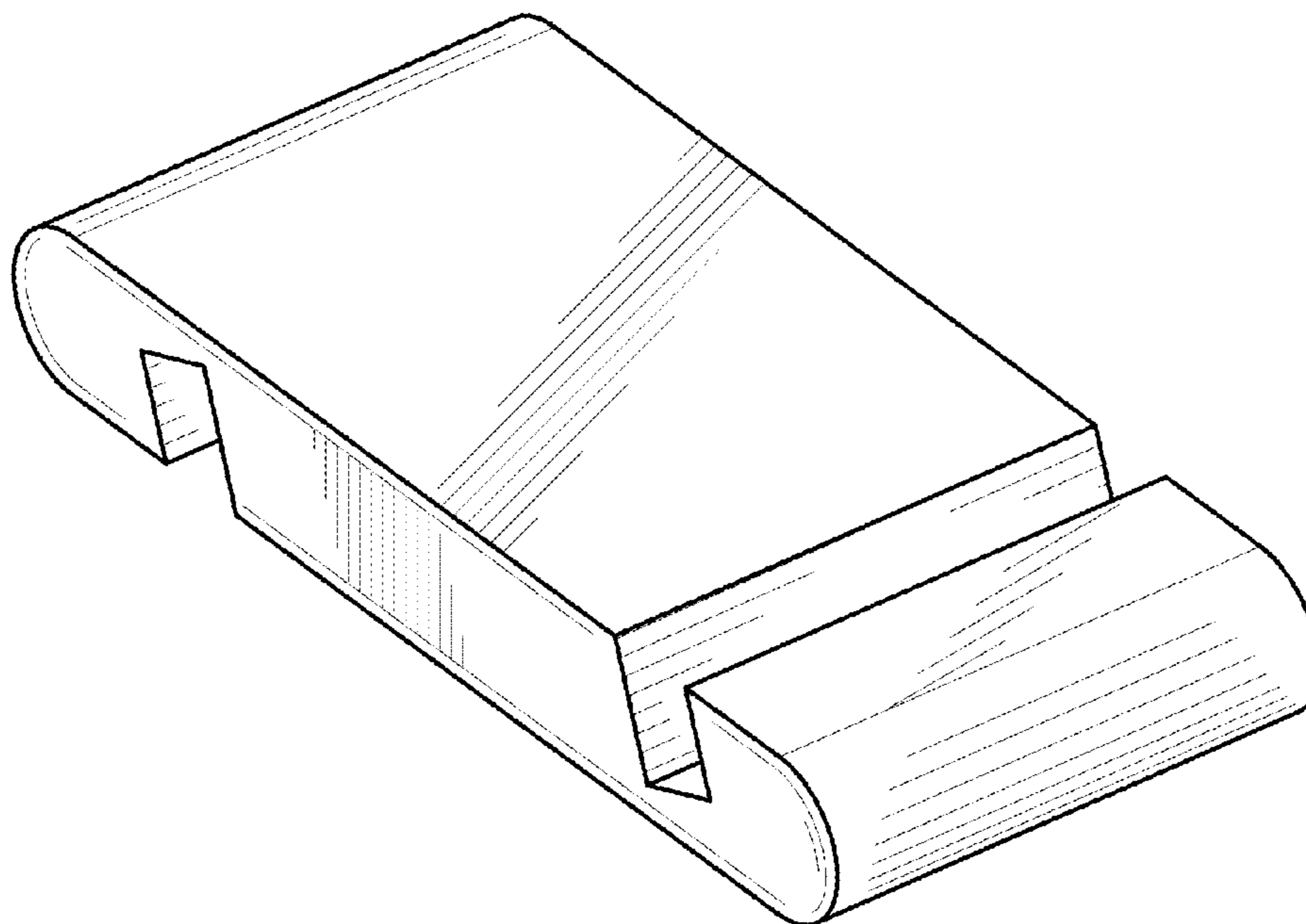
DESCRIPTION

FIG. 1 is a front view showing my design;
FIG. 2 is a back view showing my design;
FIG. 3 is a left side view showing my design;
FIG. 4 is a right side view showing my design;
FIG. 5 is a top plan view showing my design;
FIG. 6 is a bottom plan view showing my design; and,
FIG. 7 is a perspective view showing my design.

1 Claim, 4 Drawing Sheets

(56) **References Cited**
U.S. PATENT DOCUMENTS

D574,375 S * 8/2008 Prest D14/217
D603,840 S * 11/2009 Lee D14/217
D616,431 S * 5/2010 Hijmans D14/253
D659,696 S * 5/2012 Lanza D14/447
D672,783 S * 12/2012 Robinson D14/447
D691,612 S * 10/2013 Chen D14/447
8,632,041 B2 * 1/2014 Ahn F16M 13/00
248/309.1



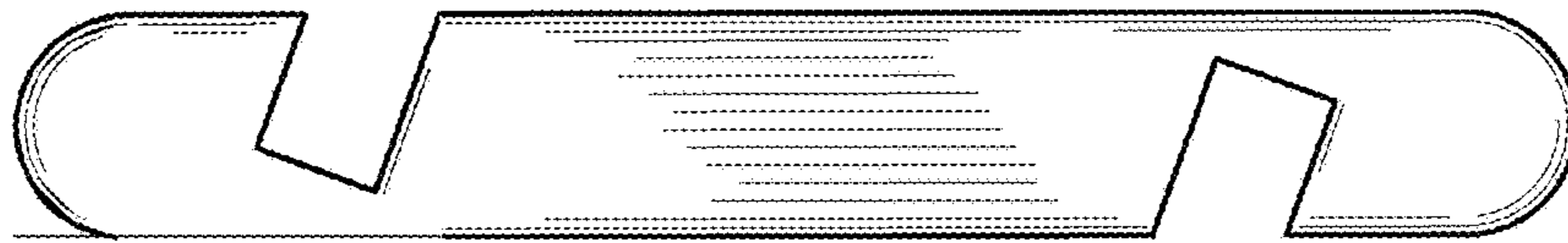


FIG. 1

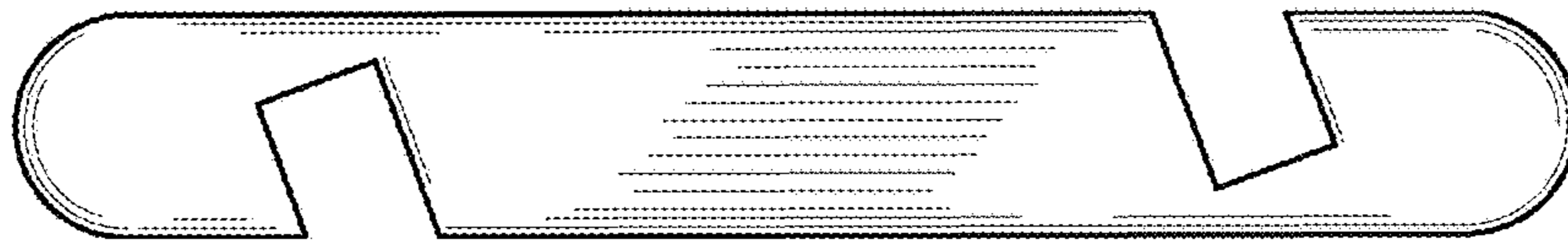


FIG. 2

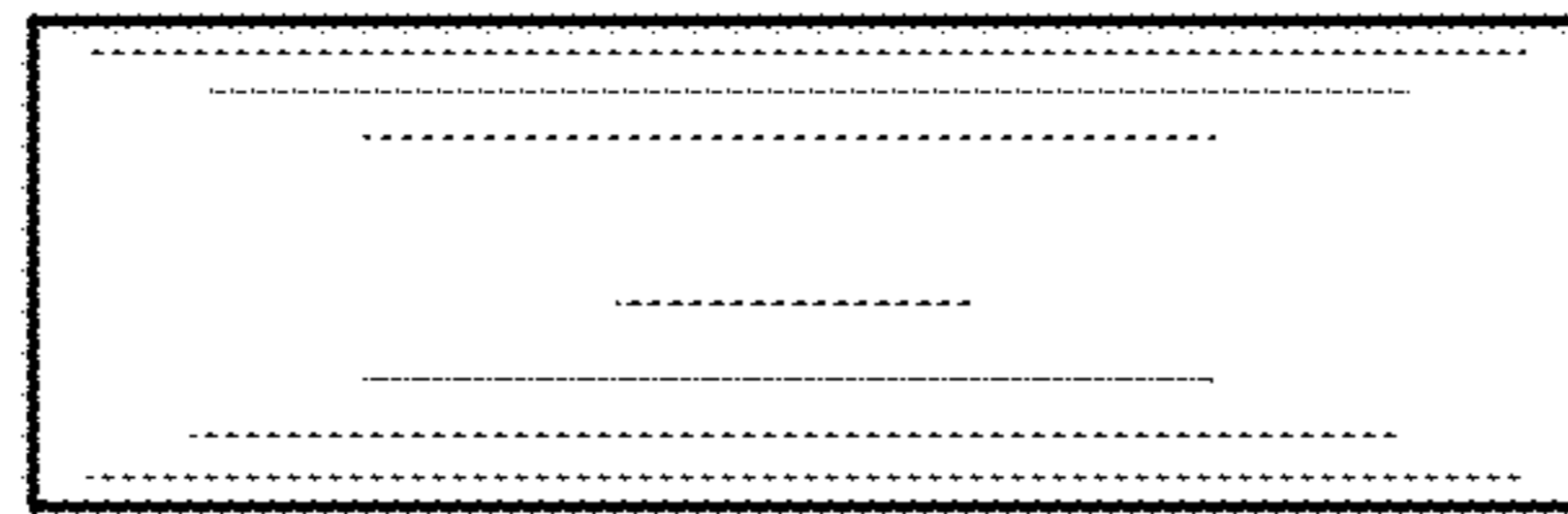


FIG. 3

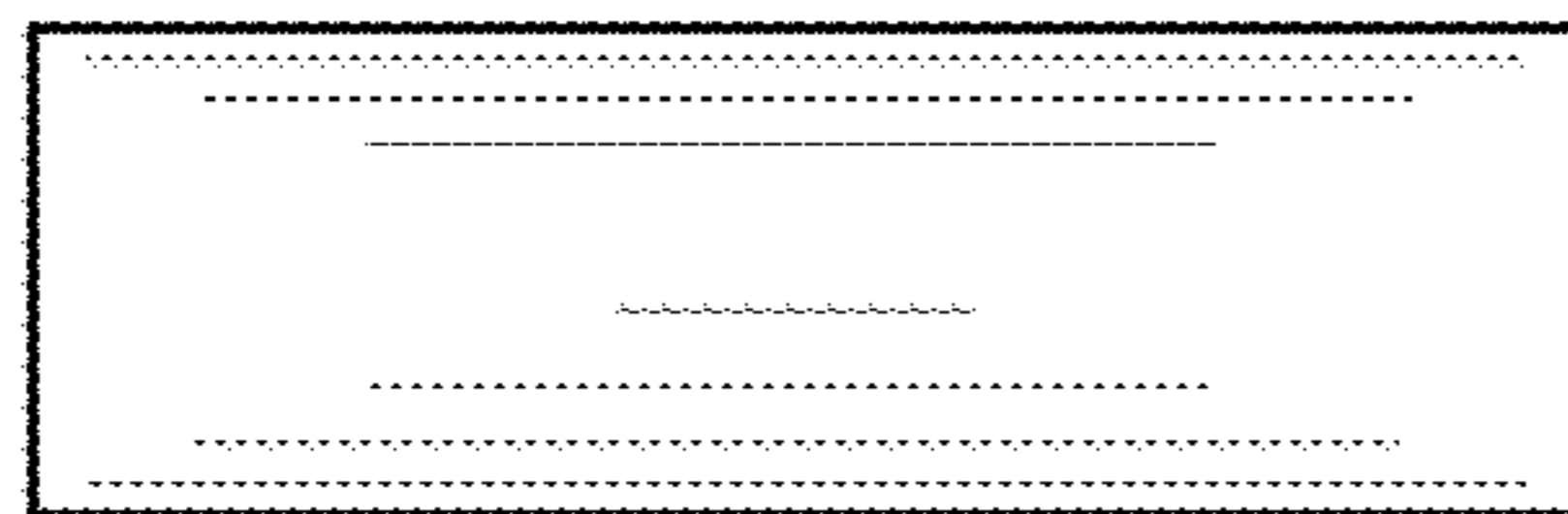


FIG. 4

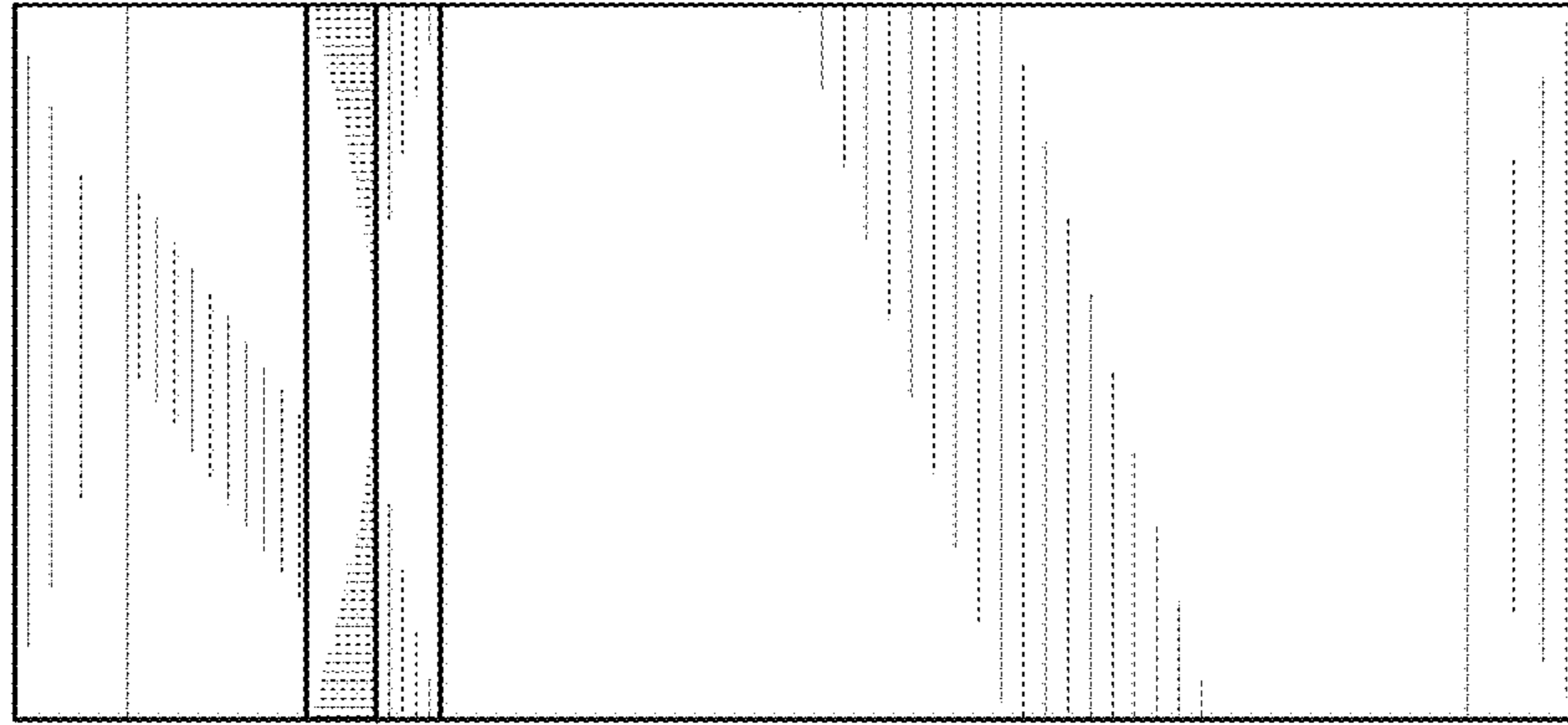


FIG. 5

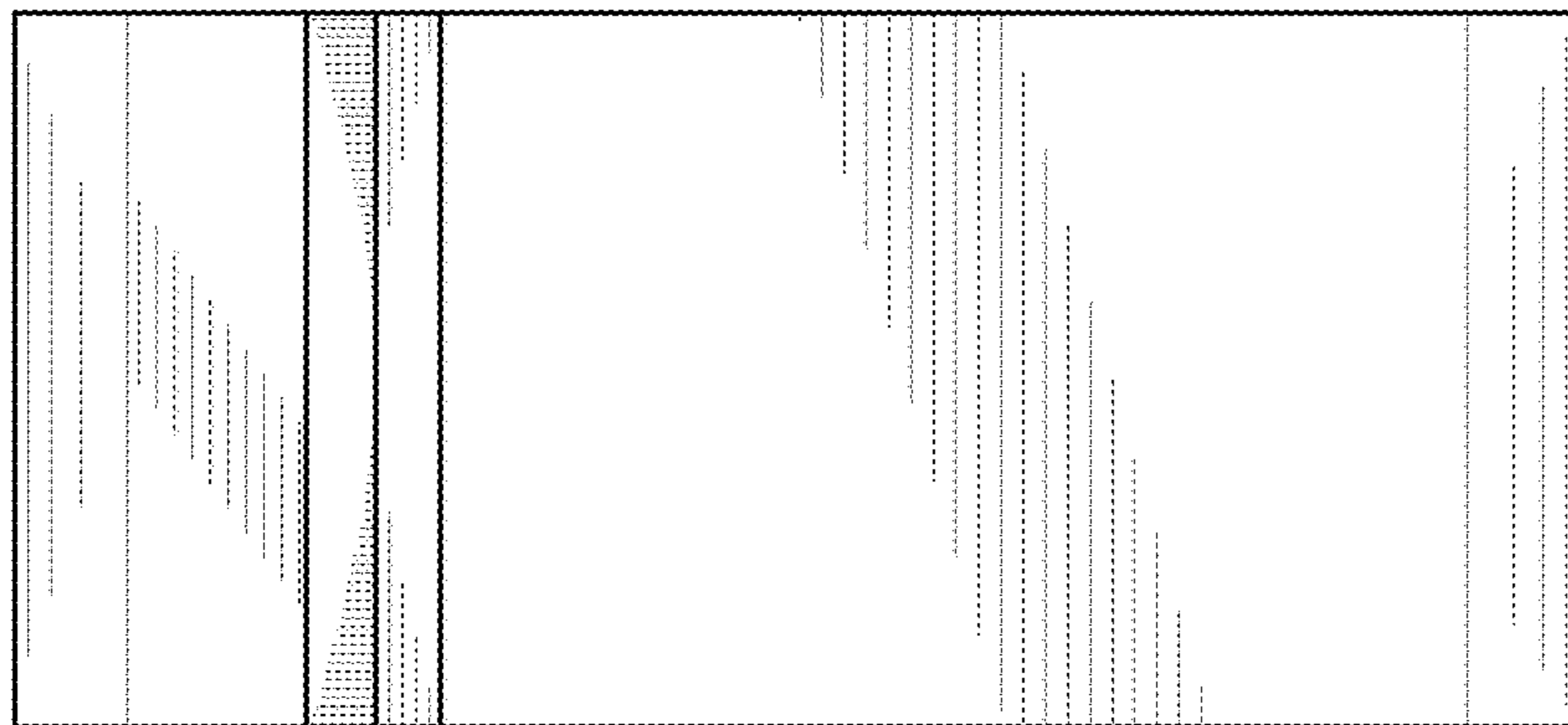


FIG. 6

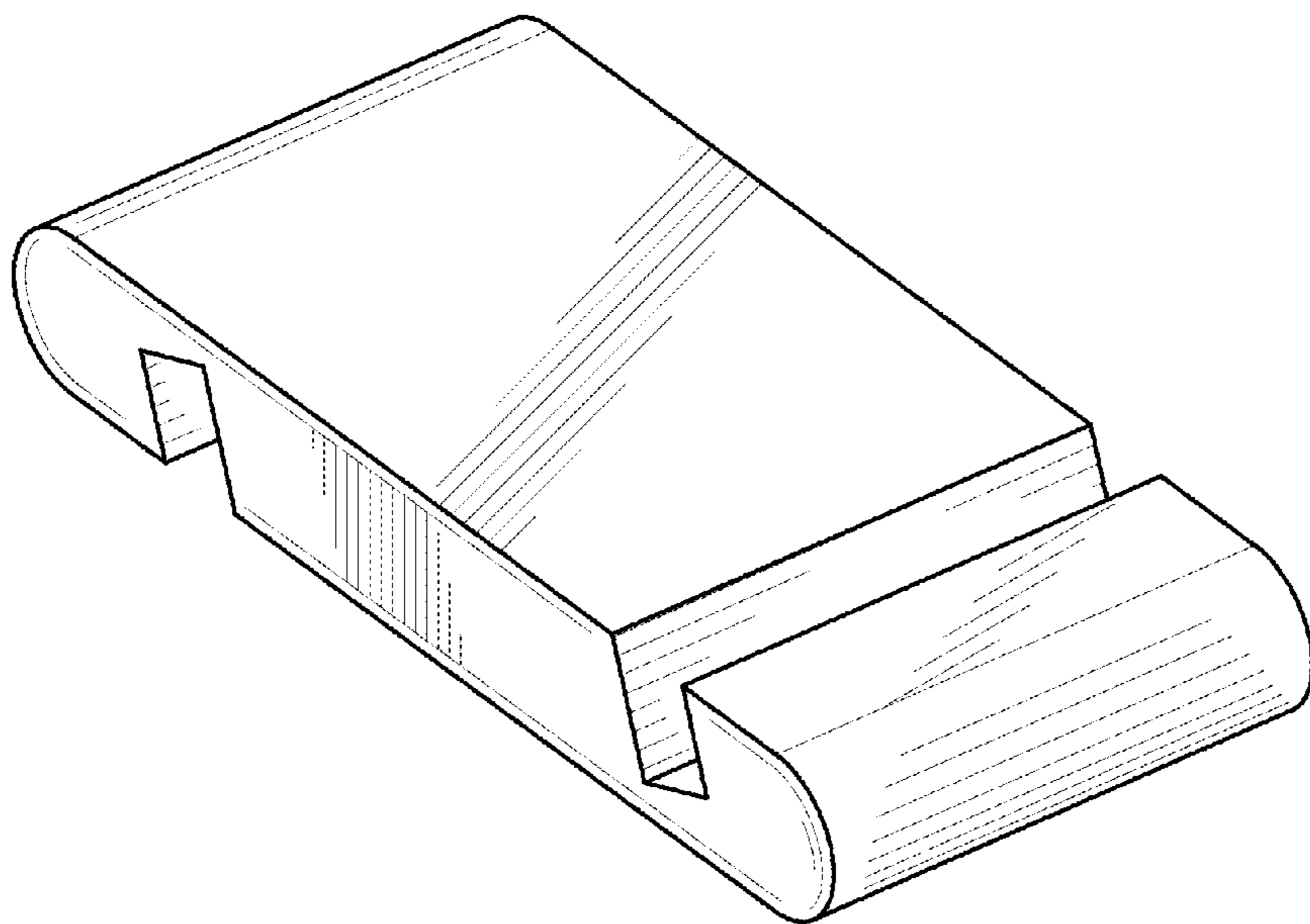


FIG. 7