



US00D865747S

(12) **United States Design Patent** (10) **Patent No.:** **US D865,747 S**
Sage (45) **Date of Patent:** **** Nov. 5, 2019**

(54) **STAND FOR PORTABLE ELECTRONIC DEVICES**

(71) Applicant: **Jon Paul Sage**, Miami, FL (US)

(72) Inventor: **Jon Paul Sage**, Miami, FL (US)

(**) Term: **15 Years**

(21) Appl. No.: **29/564,702**

(22) Filed: **May 15, 2016**

(51) **LOC (12) Cl.** **14-03**

(52) **U.S. Cl.**
USPC **D14/253**; D14/447

(58) **Field of Classification Search**
USPC D14/251–253, 447, 451, 452, 440, 434, D14/458, 432, 439, 457, 460, 238.1, 140, D14/142, 149, 217; D12/415; D3/218; D16/214, 242–244
CPC B60R 2011/0008; B60R 11/02; B60R 11/0241; B60R 11/0258; B60R 11/0252; B60R 2011/0294; F16M 11/00; F16M 11/04; F16M 11/041; F16M 11/02; F16M 11/06; F16M 13/00; H04M 1/02; H04M 1/04; H04M 1/11; H04M 1/12; A47F 7/022; B62J 11/00; H05K 7/00; G03B 17/56

See application file for complete search history.

(56) **References Cited**

U.S. PATENT DOCUMENTS

D346,286 S *	4/1994	Caponigro	D17/99
D569,495 S *	5/2008	Reiser	D23/411
D598,053 S *	8/2009	Sanchez	D14/159
D598,217 S *	8/2009	Bode	D6/681.2
D625,302 S *	10/2010	Kasuga	D14/239
D625,528 S *	10/2010	Sprague	D6/681
D671,545 S *	11/2012	Guran	D14/447
D677,075 S *	3/2013	Rodgers	D6/672
8,393,584 B2 *	3/2013	Burns	F16M 11/041
				248/121
D681,647 S *	5/2013	Choi	D14/451

D691,149 S *	10/2013	Breton	D14/447
D691,839 S *	10/2013	Dallenbach	D6/681.1
D702,244 S *	4/2014	Seo	D14/451
D706,855 S *	6/2014	Matsumoto	D16/244
D714,775 S *	10/2014	Yoo	D14/253
D724,072 S *	3/2015	Jiang	D14/253
D733,526 S *	7/2015	Delrue	D14/447
D735,727 S *	8/2015	Dugger	D14/447
D774,037 S *	12/2016	Kang	D14/451
D782,232 S *	3/2017	Procter	D6/700
D789,121 S *	6/2017	Laskowitz	D6/681.1
D789,375 S *	6/2017	Dalton	D14/447
D794,362 S *	8/2017	Procter	D6/700
D795,266 S *	8/2017	Williams	D14/447

(Continued)

Primary Examiner — Janice Hallmark

(74) *Attorney, Agent, or Firm* — Quickpatents, LLC; Kevin Prince

(57) **CLAIM**

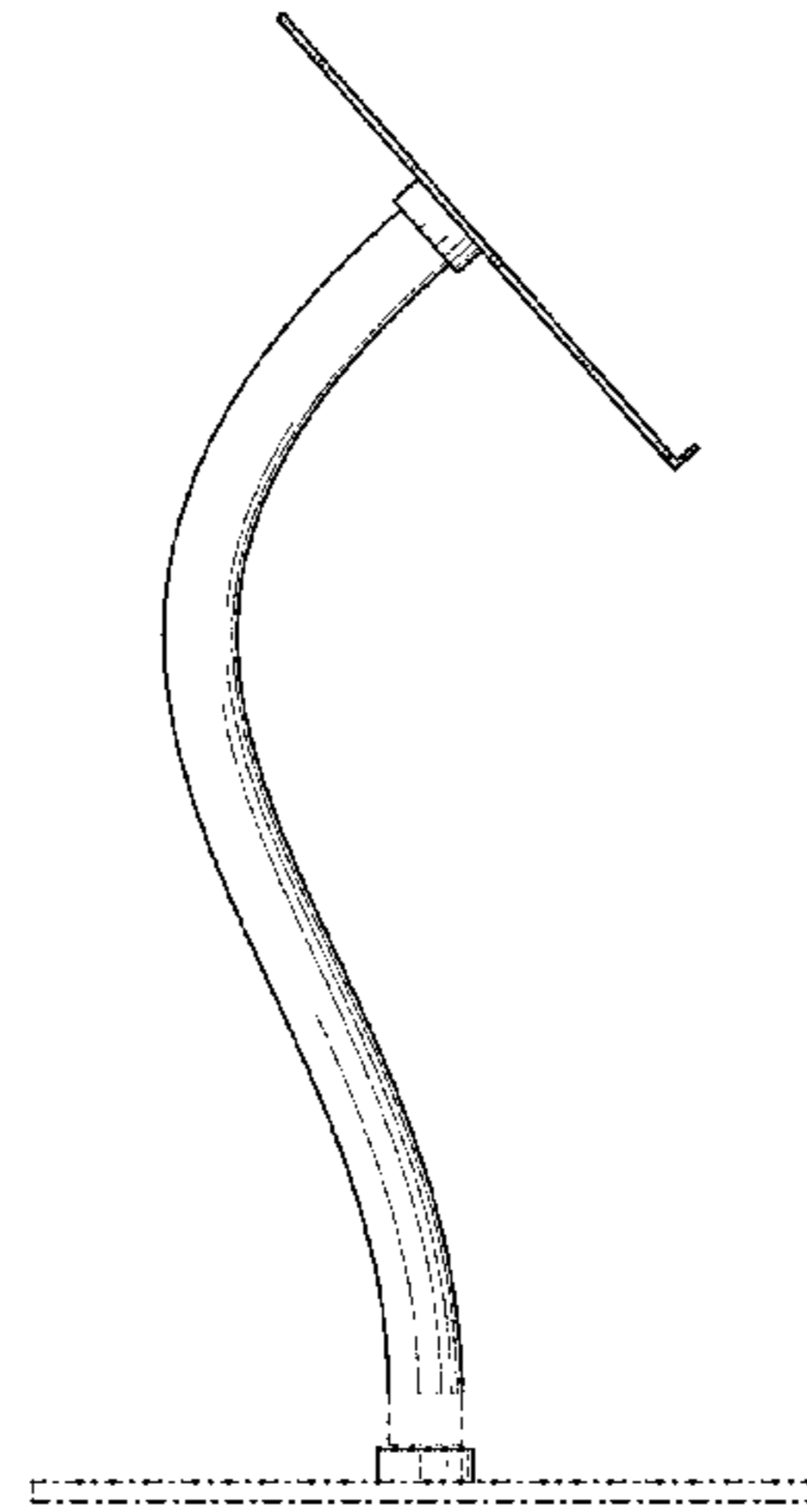
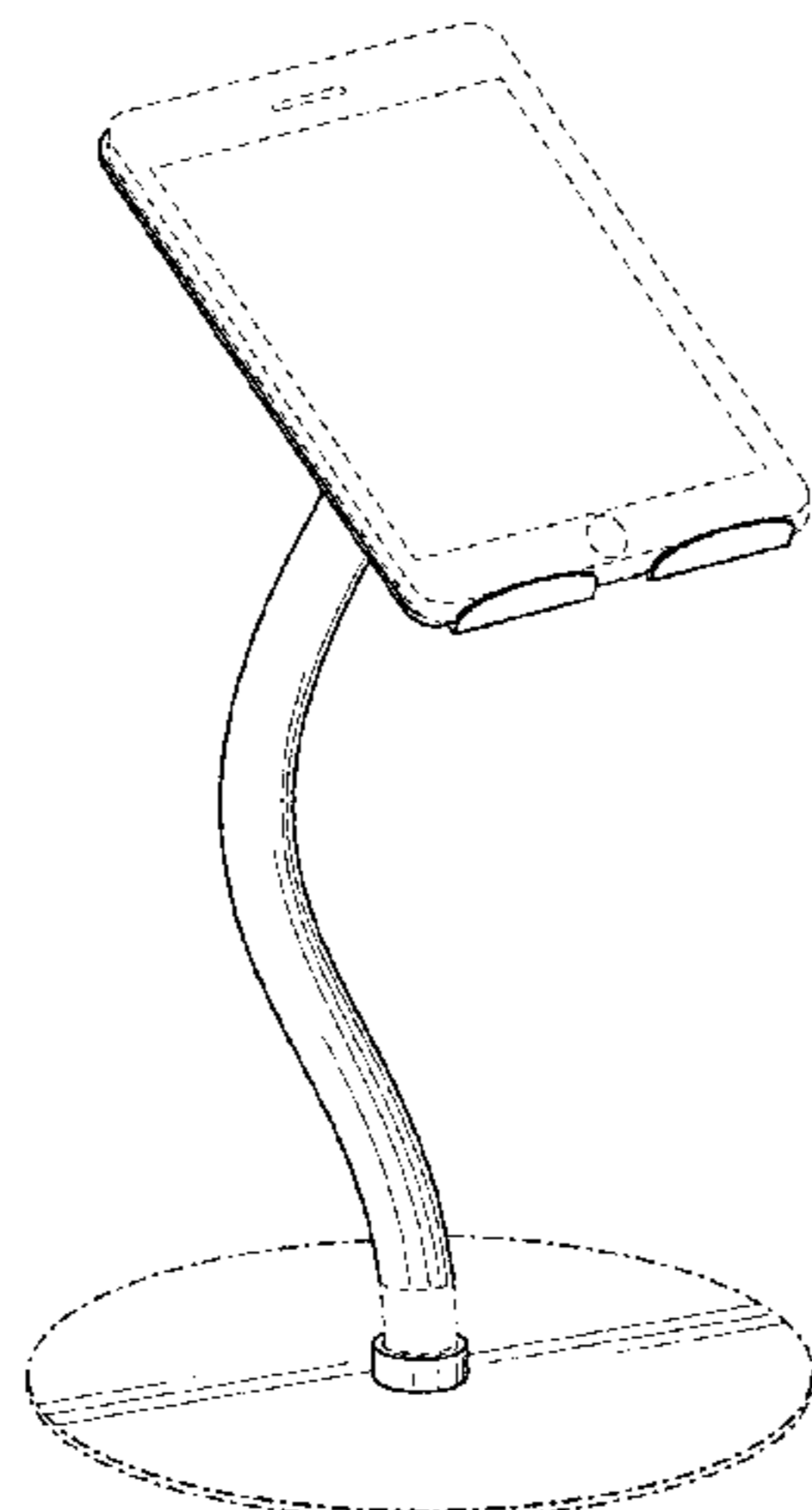
I claim the ornamental design for a stand for portable electronic devices, as shown and described.

DESCRIPTION

FIG. 1 is a perspective view of a stand for portable electronic devices showing my new design; FIG. 2 is a front elevational view of FIG. 1; FIG. 3 is a rear elevational view of FIG. 1; FIG. 4 is a left-side elevational view of FIG. 1, the right-side elevational view being a mirror image thereof; FIG. 5 is a top plan view of FIG. 1; and, FIG. 6 is a bottom plan view of FIG. 1.

The dash-dash broken lines showing a portable electronic device in FIG. 1 depict environmental matter and form no part of the claimed design. The dot-dash-dot broken lines in the figures represent a boundary of the claimed design. The remaining dash-dash broken lines represent portions of the stand for portable electronic devices that form no part of the claimed design.

1 Claim, 4 Drawing Sheets



(56)

References Cited

U.S. PATENT DOCUMENTS

D798,872 S * 10/2017 Gonen D14/447
 D804,865 S * 12/2017 Laskowitz D6/681.1
 D806,084 S * 12/2017 Nelson D14/447
 D806,085 S * 12/2017 Nelson D14/447
 D806,714 S * 1/2018 Nelson D14/447
 D807,893 S * 1/2018 Nelson D14/447
 D808,396 S * 1/2018 Nelson D14/447
 D815,476 S * 4/2018 Procter D6/700
 D824,917 S * 8/2018 Nelson D14/447
 2004/0155164 A1* 8/2004 Richter B60R 11/00
 248/274.1
 2005/0092875 A1* 5/2005 Carnevali F16M 11/40
 248/160
 2007/0114344 A1 5/2007 Sage
 2010/0252696 A1* 10/2010 Sage F16M 11/40
 248/160
 2011/0292666 A1* 12/2011 Gallagher F16M 11/041
 362/457
 2012/0187257 A1* 7/2012 Zou F16M 11/041
 248/125.8
 2013/0048802 A1* 2/2013 Guran F16M 11/041
 248/122.1
 2013/0342087 A1* 12/2013 Guran H05K 5/0017
 312/7.2
 2014/0203156 A1* 7/2014 Stener F16M 11/14
 248/425
 2015/0102189 A1* 4/2015 Klamm F16M 11/12
 248/160
 2016/0138752 A1* 5/2016 Truong F16M 11/10
 248/74.1

* cited by examiner

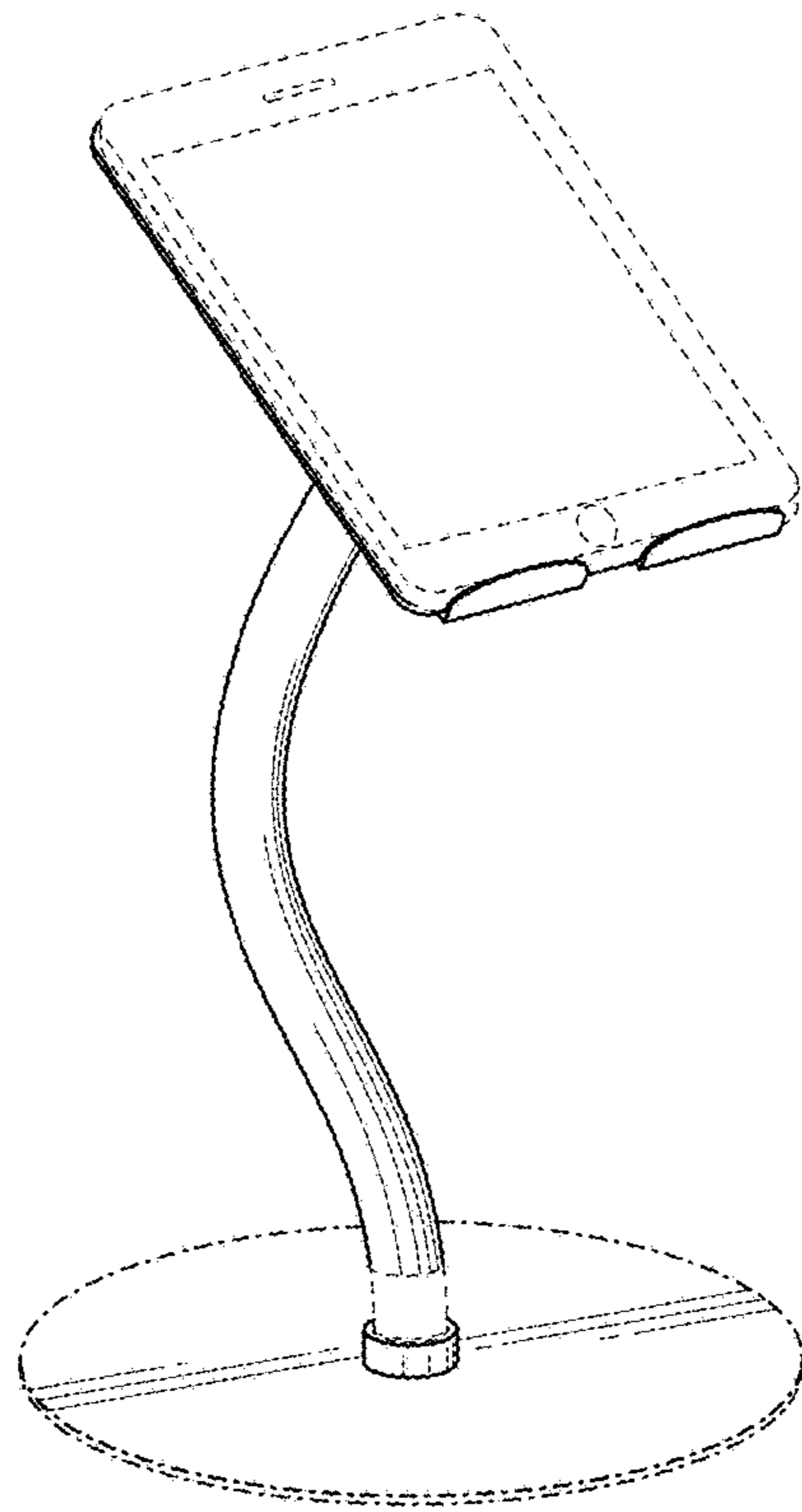


FIG. 1

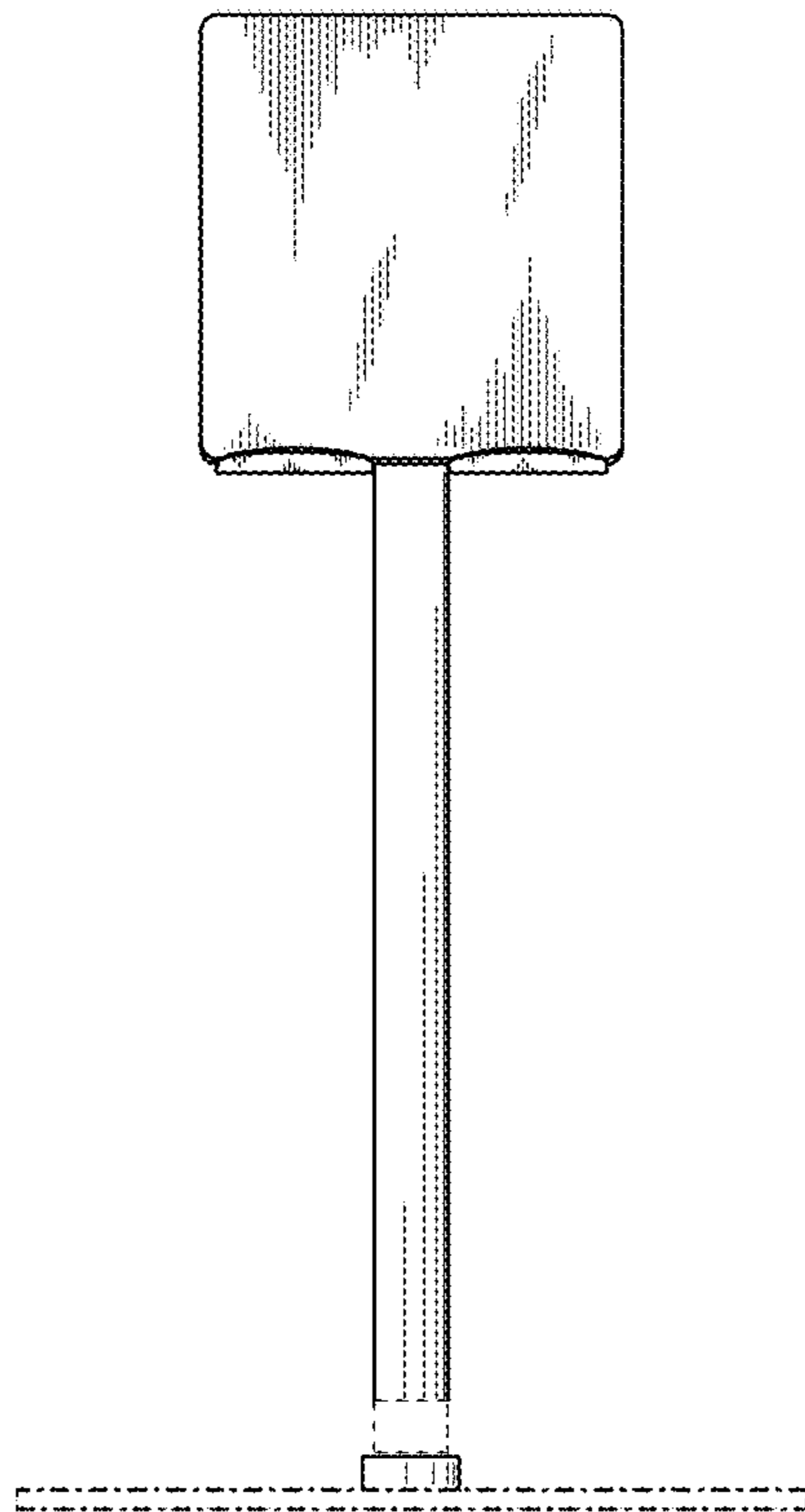


FIG. 2

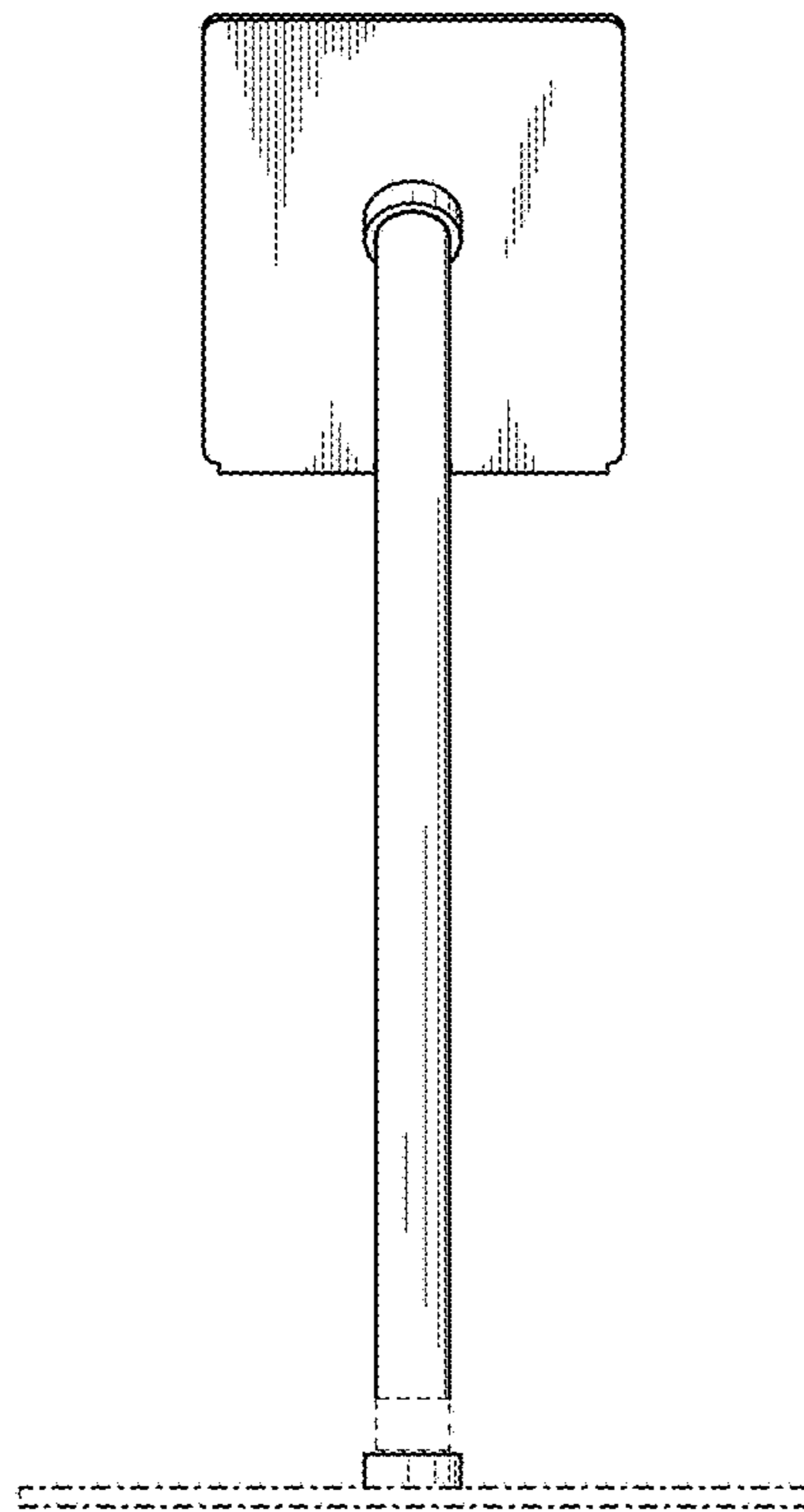


FIG. 3

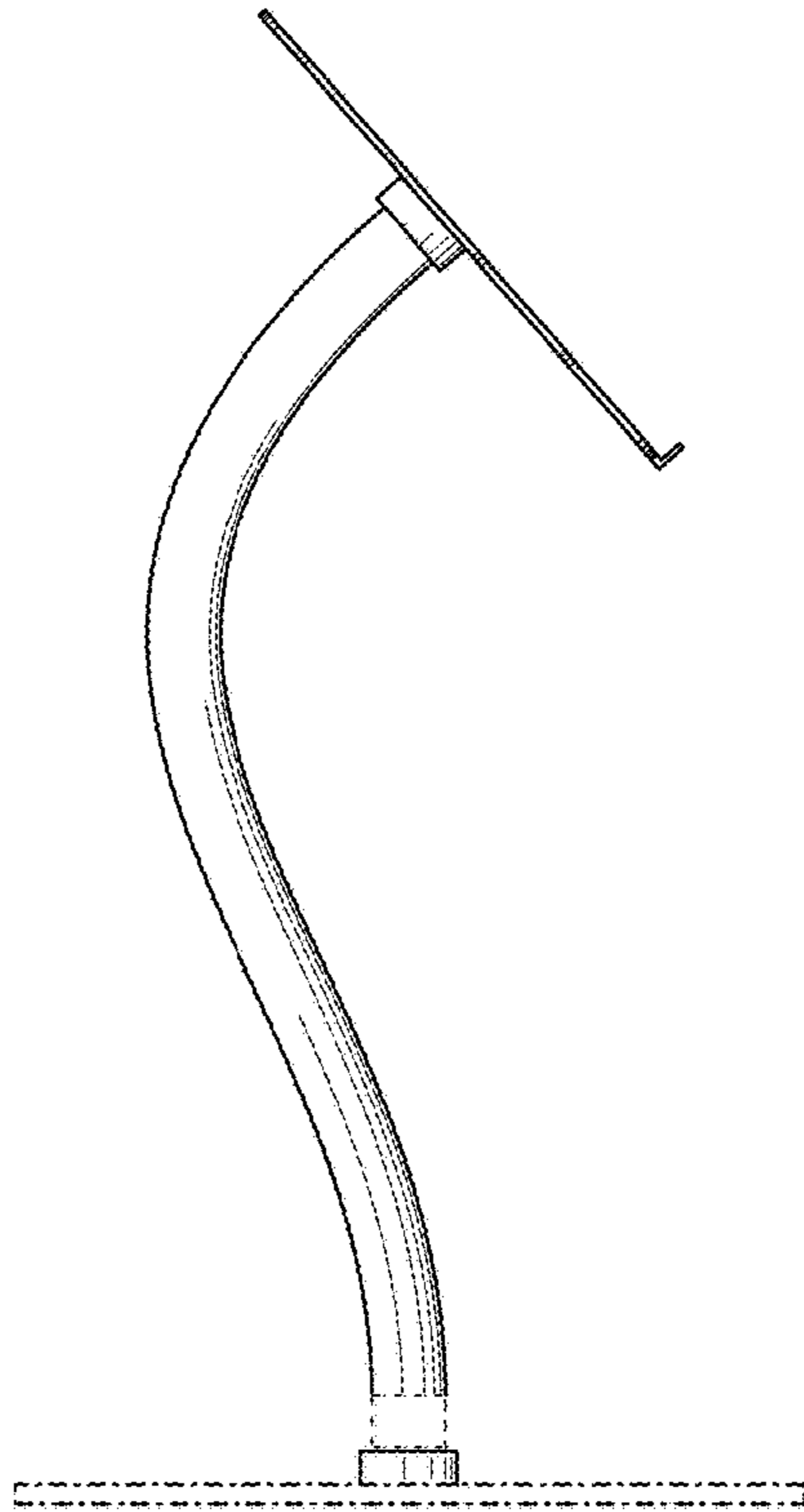


FIG. 4

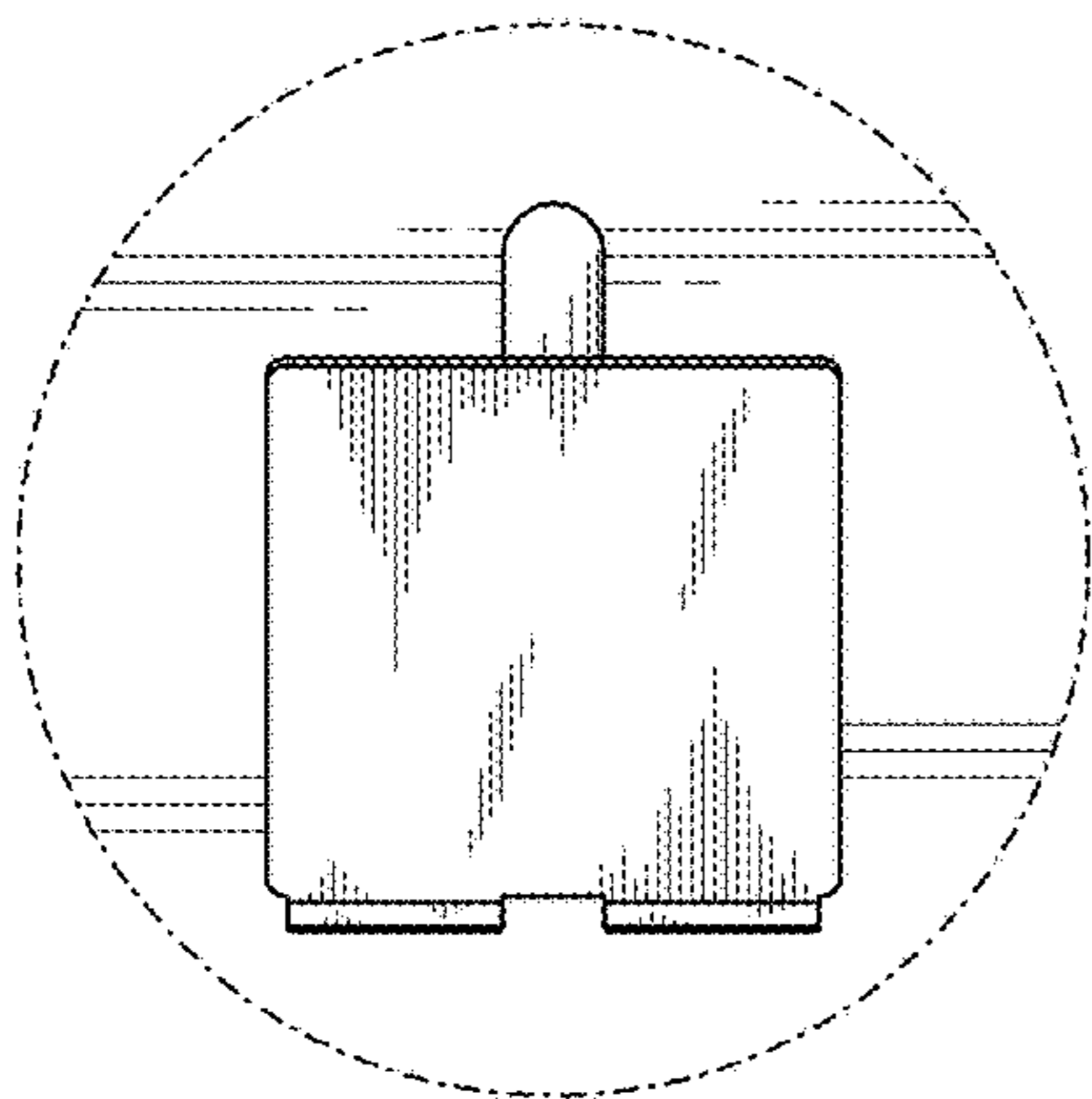


FIG. 5

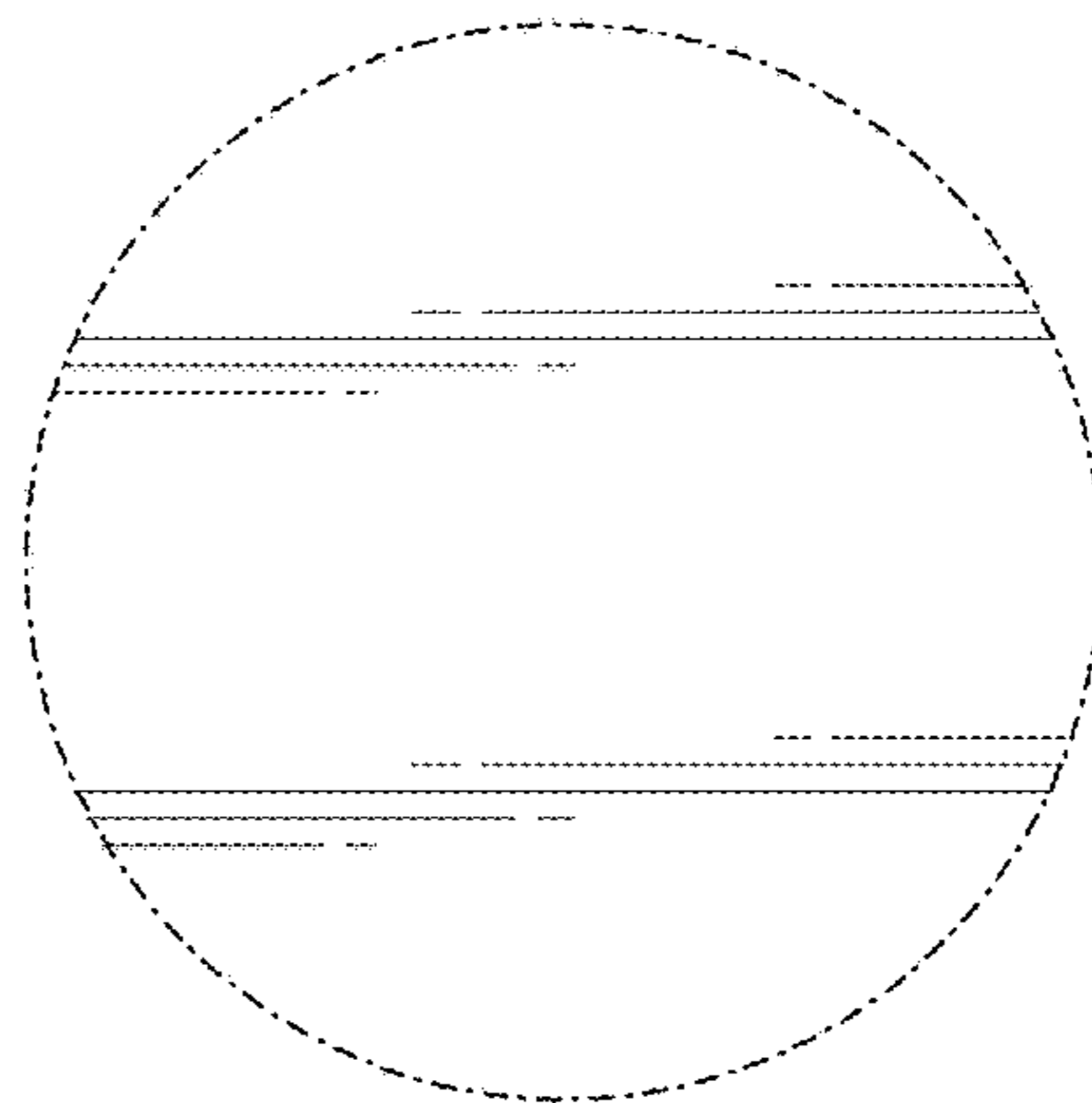


FIG. 6