



US00D865741S

(12) **United States Design Patent** (10) **Patent No.:** **US D865,741 S**
Hawes et al. (45) **Date of Patent:** **** Nov. 5, 2019**

(54) **PHONE CASE WITH CHARGER**

(56) **References Cited**

(71) Applicant: **Altria Client Services LLC**,
Richmond, VA (US)
(72) Inventors: **Eric Hawes**, Midlothian, VA (US);
Terry Bache, Richmond, VA (US);
David R. Schiff, Highland Park, VA
(US); **Mathieu Turpault**, Pennington,
NJ (US); **Tom Murray**, Philadelphia,
PA (US)
(73) Assignee: **Altria Client Services LLC**,
Richmond, VA (US)

U.S. PATENT DOCUMENTS

D328,733 S	8/1992	Seymour
D349,093 S	7/1994	Alexandres et al.
D350,328 S	9/1994	Alexandres et al.
D358,128 S	5/1995	Berry et al.
D359,267 S	6/1995	Berry et al.
D378,366 S	3/1997	Nagele et al.
D379,962 S	6/1997	Nuovo et al.
D384,327 S	9/1997	Nakui
D395,278 S	6/1998	Nakui
D398,580 S	9/1998	Richards
D400,497 S	11/1998	Sabag et al.
D402,257 S	12/1998	Richards et al.
D403,265 S	12/1998	Nagele et al.
D421,957 S	3/2000	Waldner

(Continued)

(**) Term: **15 Years**

Primary Examiner — Carla J Wright

(21) Appl. No.: **29/605,174**

(74) *Attorney, Agent, or Firm* — Harness, Dickey & Pierce, P.L.C.

(22) Filed: **May 24, 2017**

(57) **CLAIM**

The ornamental design for a phone case with charger, as shown and described.

Related U.S. Application Data

DESCRIPTION

(62) Division of application No. 29/499,019, filed on Aug. 11, 2014, now Pat. No. Des. 789,343.

(51) **LOC (12) Cl.** **14-03**

(52) **U.S. Cl.**
USPC **D14/250**

(58) **Field of Classification Search**
USPC D14/439, 203.3–203.7, 447, 238.1,
D14/251–253, 217, 240, 250, 440, 248;
D3/201, 218, 247, 269, 273, 301, 303;
D13/107–108, 103, 119
CPC H04B 1/3888; H04M 1/0283;
H04M 1/0202; A45C 1/06; A45C 11/00;
A45C 13/02; A45C 2011/002; A45F
2005/026; A45F 2200/0525; A45F
2200/0516

FIG. 1 is a perspective view of a phone case with charger showing our new design with the charging door in a closed position.

FIG. 2 is a front elevational view thereof.

FIG. 3 is a rear elevational view thereof.

FIG. 4 is a left side elevational view thereof.

FIG. 5 is a right side elevational view thereof.

FIG. 6 is a top plan view thereof.

FIG. 7 is a bottom plan view thereof.

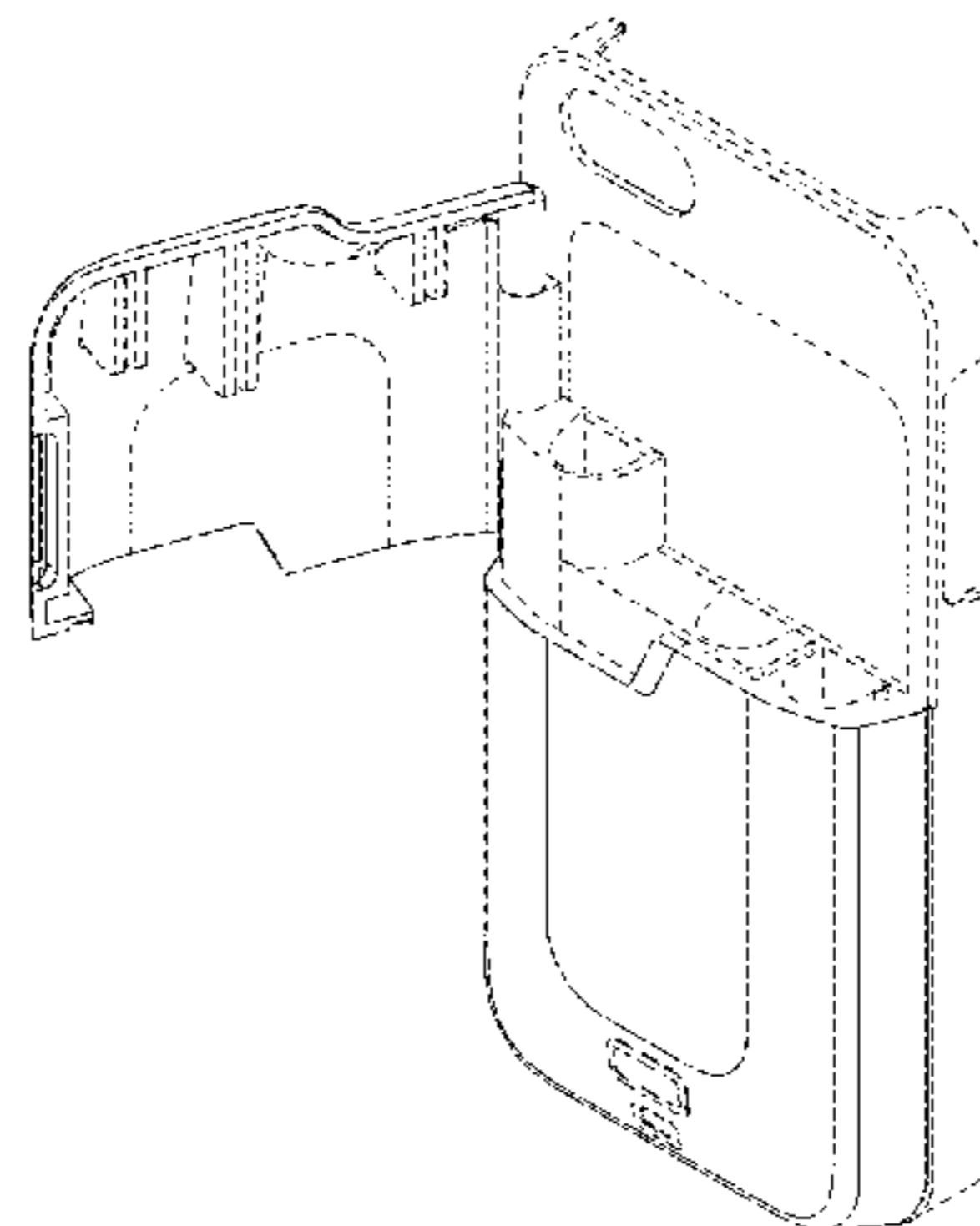
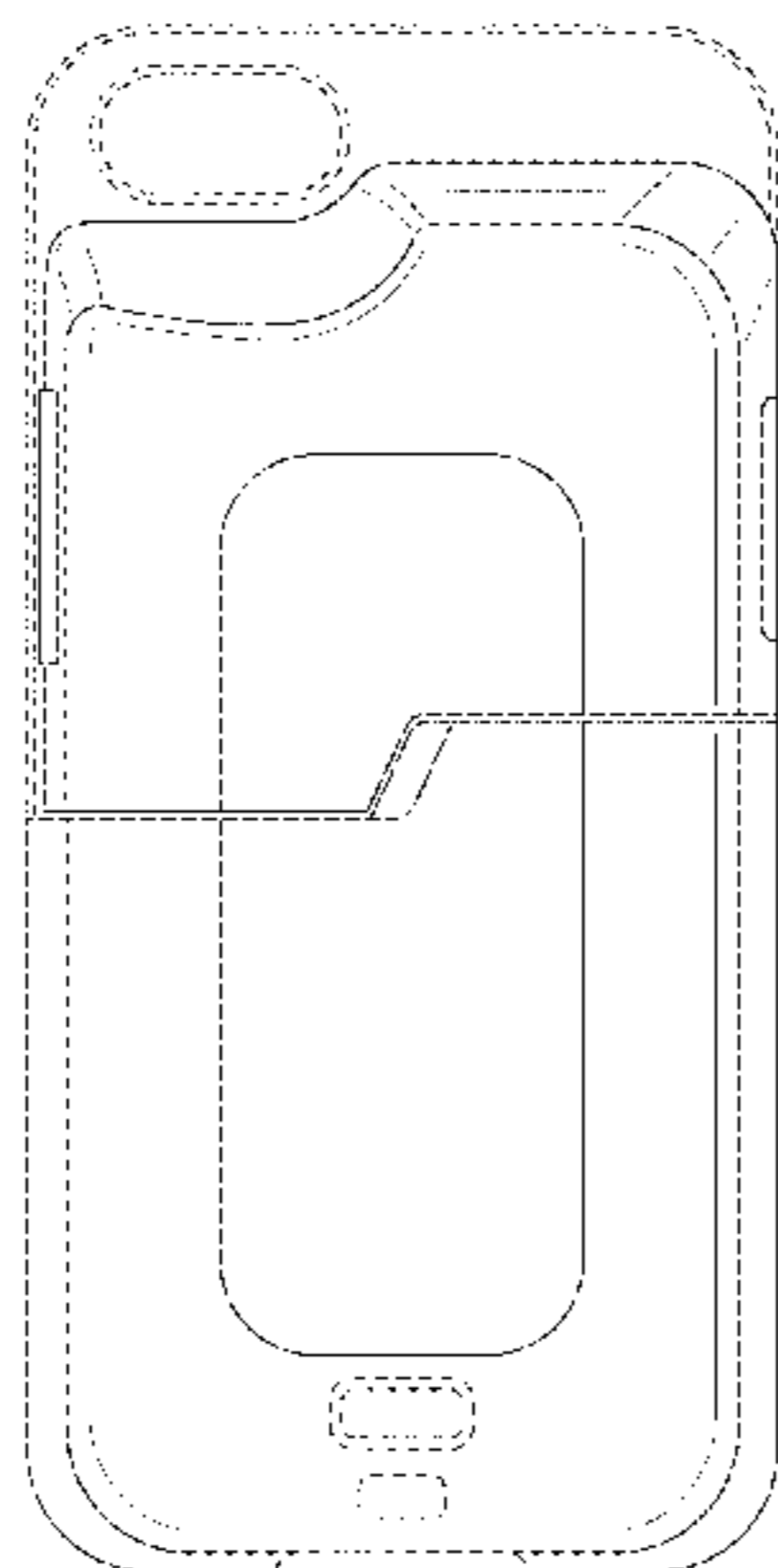
FIG. 8 is a perspective view thereof with the charging door in an open position; and,

FIG. 9 is a top plan view thereof with the charging door in an open position.

The portions of the phone case and electronic cigarettes shown in broken lines are for environmental purposes only and form no part of the claimed design.

See application file for complete search history.

1 Claim, 9 Drawing Sheets



(56)

References Cited

U.S. PATENT DOCUMENTS

D425,906 S	5/2000	Finkbeiner		D719,950 S	12/2014	Smith et al.	
D427,563 S	7/2000	Waldner		D720,740 S	1/2015	Wicks et al.	
D431,226 S	9/2000	Frye et al.		D723,019 S	2/2015	Chan et al.	
D447,461 S	9/2001	Heong et al.		D723,532 S	3/2015	Stevinson	
D460,944 S	7/2002	Ahlgren		D728,551 S	5/2015	Saeki et al.	
D499,722 S	12/2004	Widiaman		D730,344 S	5/2015	Hemesath et al.	
D539,277 S	3/2007	Okada et al.		9,049,283 B1 *	6/2015	Kim	H04M 1/21
D542,286 S	5/2007	Taniyama et al.		D740,268 S	10/2015	O'Neill et al.	
D562,760 S	2/2008	Hanks		D751,542 S	3/2016	Daniel	
D603,855 S	11/2009	Nuovo et al.		9,521,223 B1 *	12/2016	Rajagopalan	H04W 4/80
D615,078 S *	5/2010	Bradley	D14/250	D789,343 S *	6/2017	Hawes	D14/250
D621,393 S	8/2010	Panahi et al.		10,069,529 B2 *	9/2018	Jeon	H04M 1/0202
D623,640 S	9/2010	Freeman		2011/0195753 A1 *	8/2011	Mock	H04B 1/3888
D624,064 S	9/2010	Esposito					455/566
D649,537 S *	11/2011	Magness	D14/250	2013/0095898 A1 *	4/2013	Altschul	H04M 1/0283
D654,068 S	2/2012	Monaco et al.					455/575.8
D662,044 S	6/2012	Lemelman et al.		2013/0206614 A1 *	8/2013	O'Neill	H04B 1/3888
D670,689 S *	11/2012	Wang	D14/250				206/216
D679,684 S	4/2013	Baker et al.		2013/0237290 A1 *	9/2013	Simmons, Jr.	H04B 1/3888
D681,620 S *	5/2013	Huskinson	D14/250				455/569.1
D683,339 S *	5/2013	Weller	D14/250	2014/0051488 A1 *	2/2014	Chung	H04M 1/0279
D686,199 S	7/2013	Fahrendorff et al.					455/575.8
D688,654 S	8/2013	Stevinson		2014/0103789 A1 *	4/2014	Cox, III	H05K 5/02
D688,655 S	8/2013	Rey-Hipolito et al.					312/280
D698,346 S *	1/2014	Chang	D14/250	2014/0216976 A1 *	8/2014	Conarro	A45C 11/00
D698,772 S	2/2014	Merenda					206/525
D703,650 S *	4/2014	Ehrlich	D14/250	2014/0370946 A1 *	12/2014	Daniell	H04M 1/0283
D703,651 S	4/2014	Ehrlich					455/575.8
D705,763 S	5/2014	Fastman et al.		2015/0136621 A1 *	5/2015	Lebauer	B65D 81/02
D705,764 S *	5/2014	Thoni	D14/250				206/216
D710,346 S	8/2014	Smith et al.		2016/0099592 A1	4/2016	Gatta et al.	
D713,396 S	9/2014	Tsai et al.		2016/0173160 A1 *	6/2016	Gronewoller	H04B 1/3888
							455/575.8
				2018/0198479 A1 *	7/2018	Wilder	H04B 1/3888

* cited by examiner

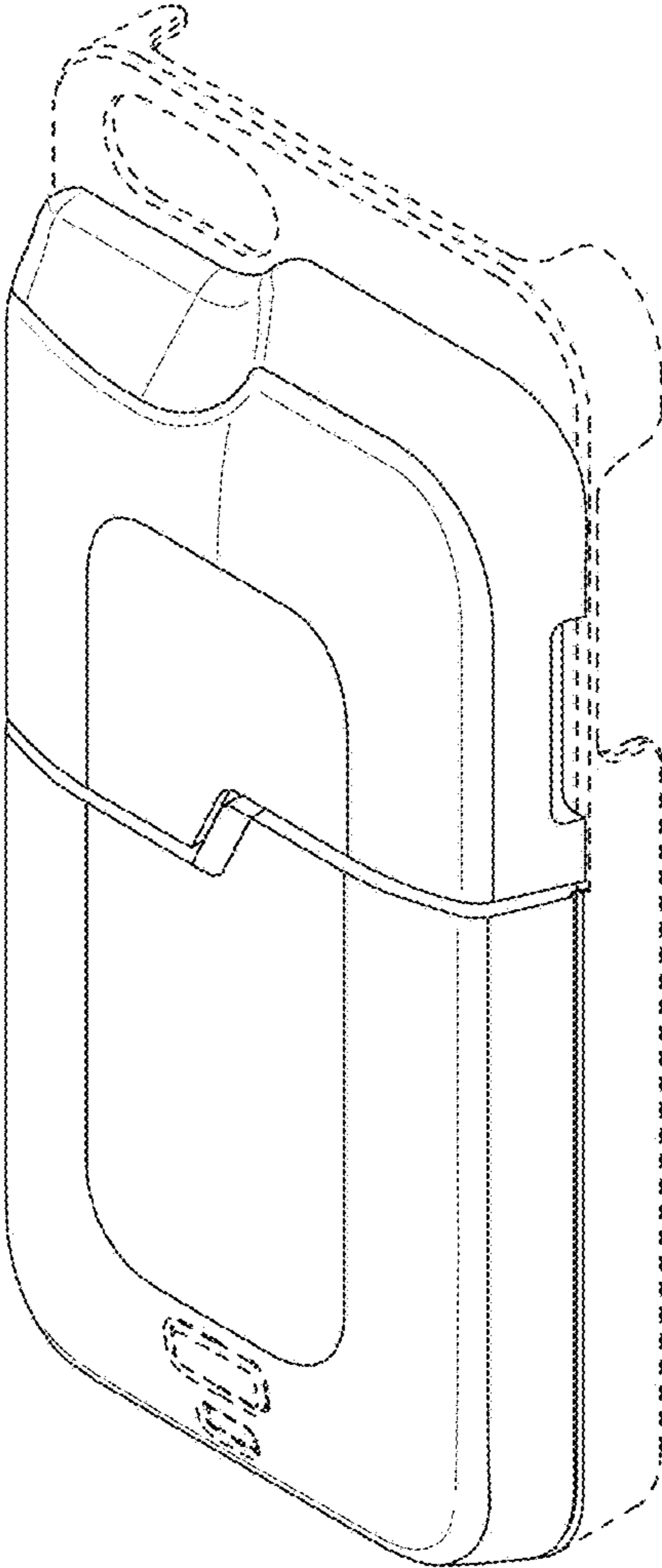


FIG. 1

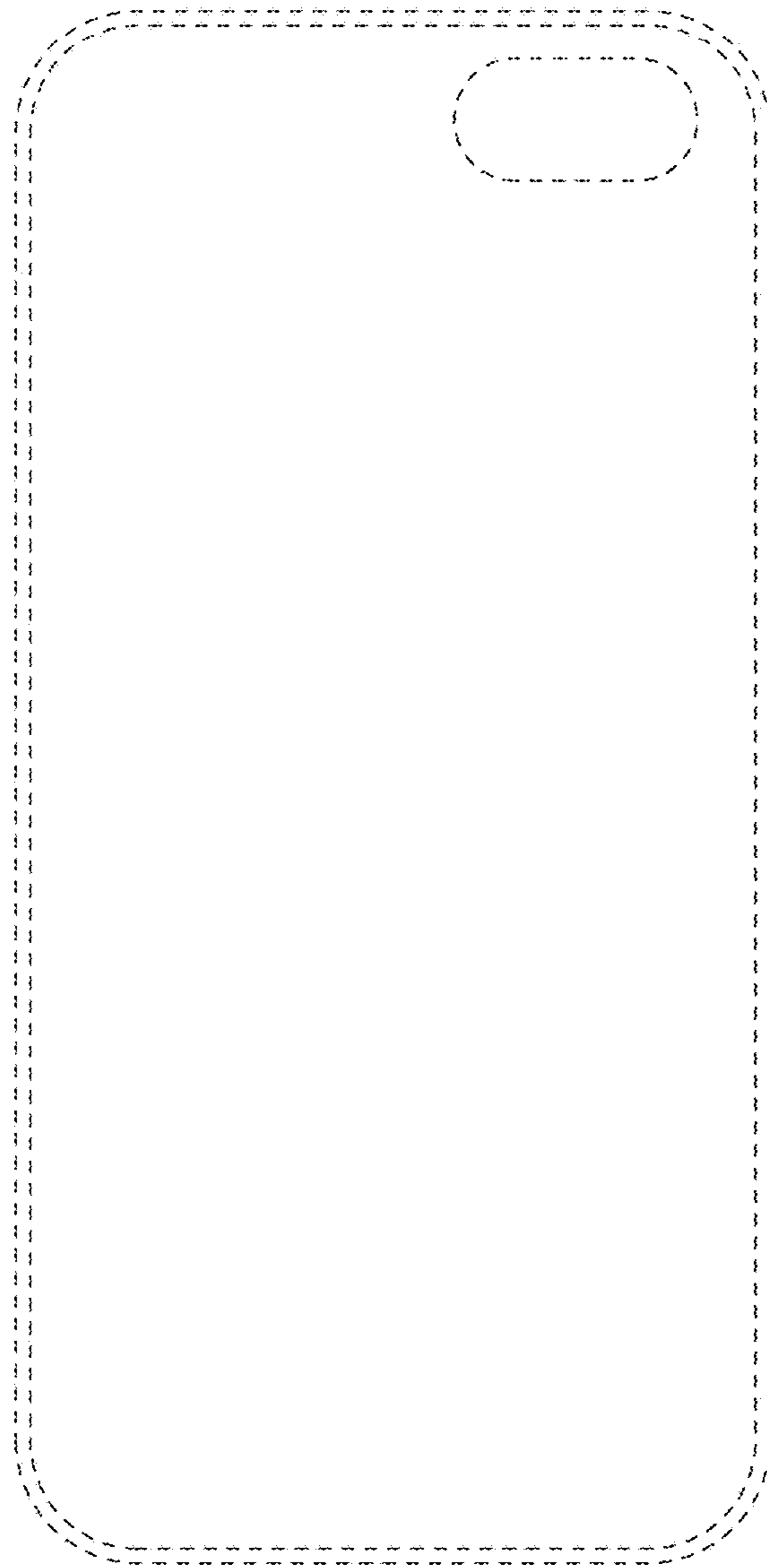


FIG. 2

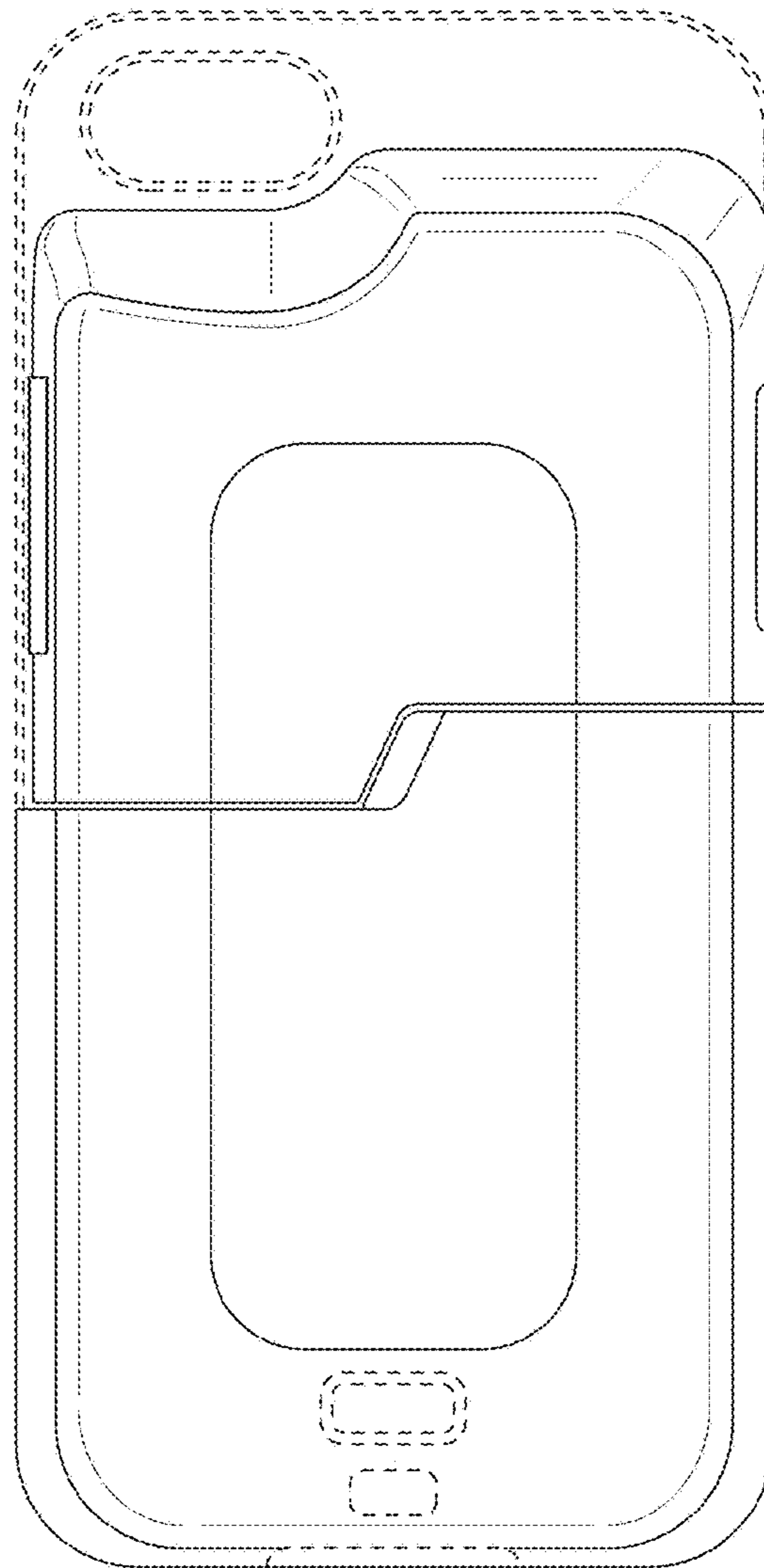


FIG. 3

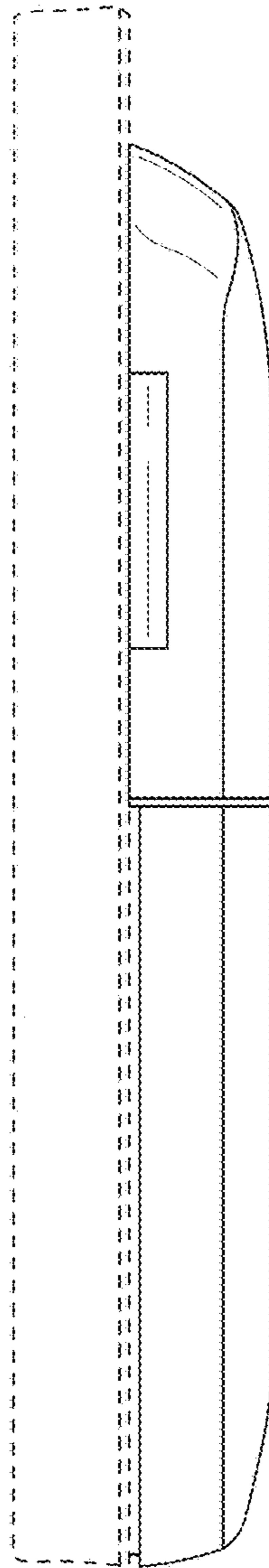


FIG.4

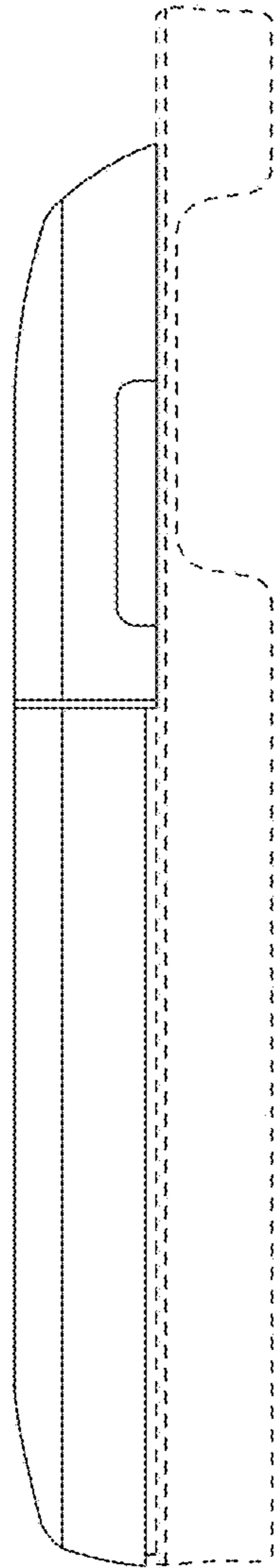


FIG.5

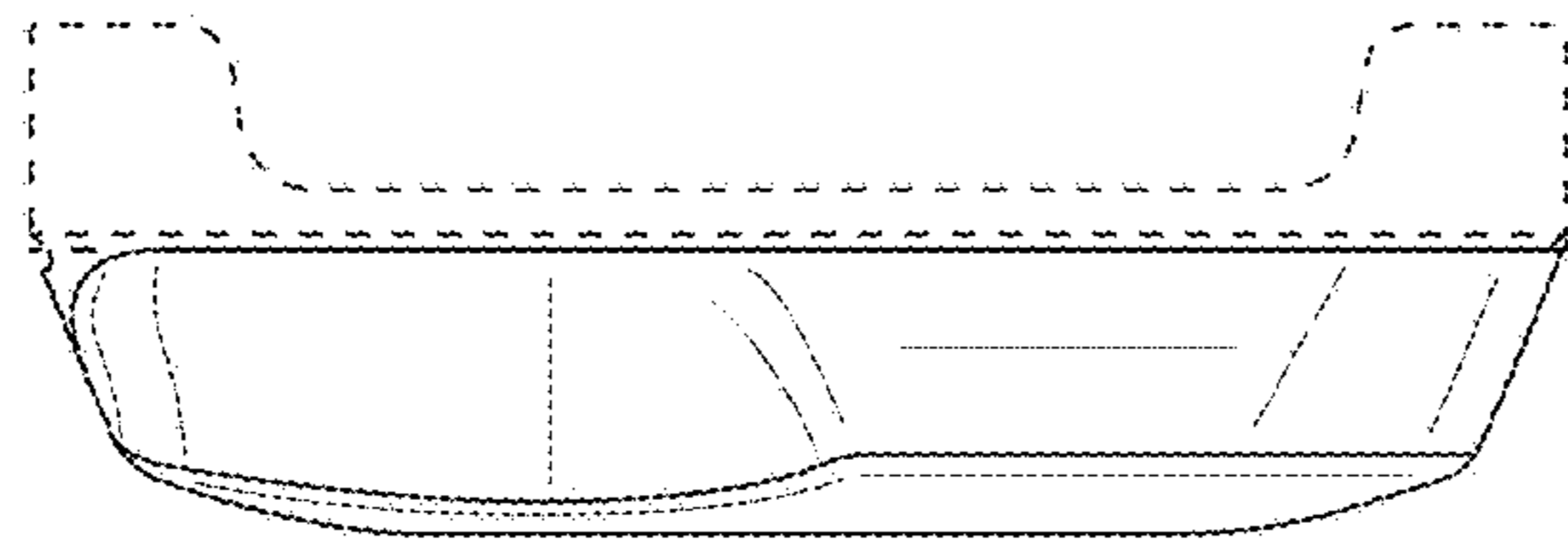


FIG. 6

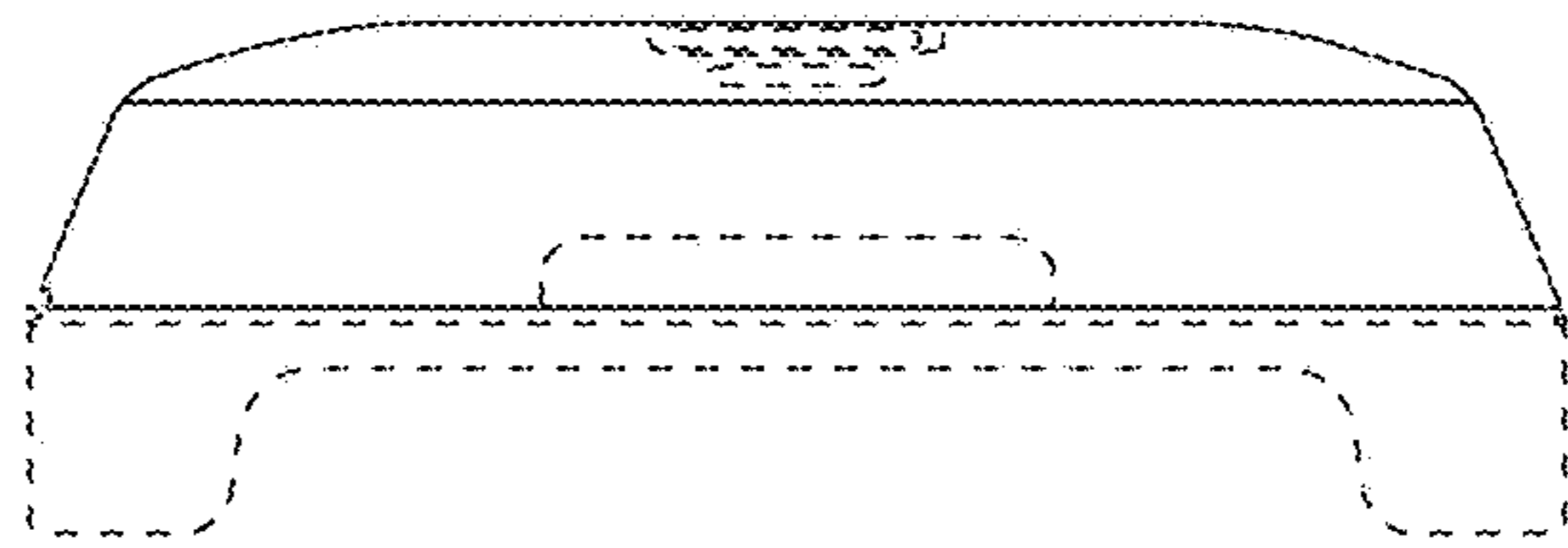


FIG. 7

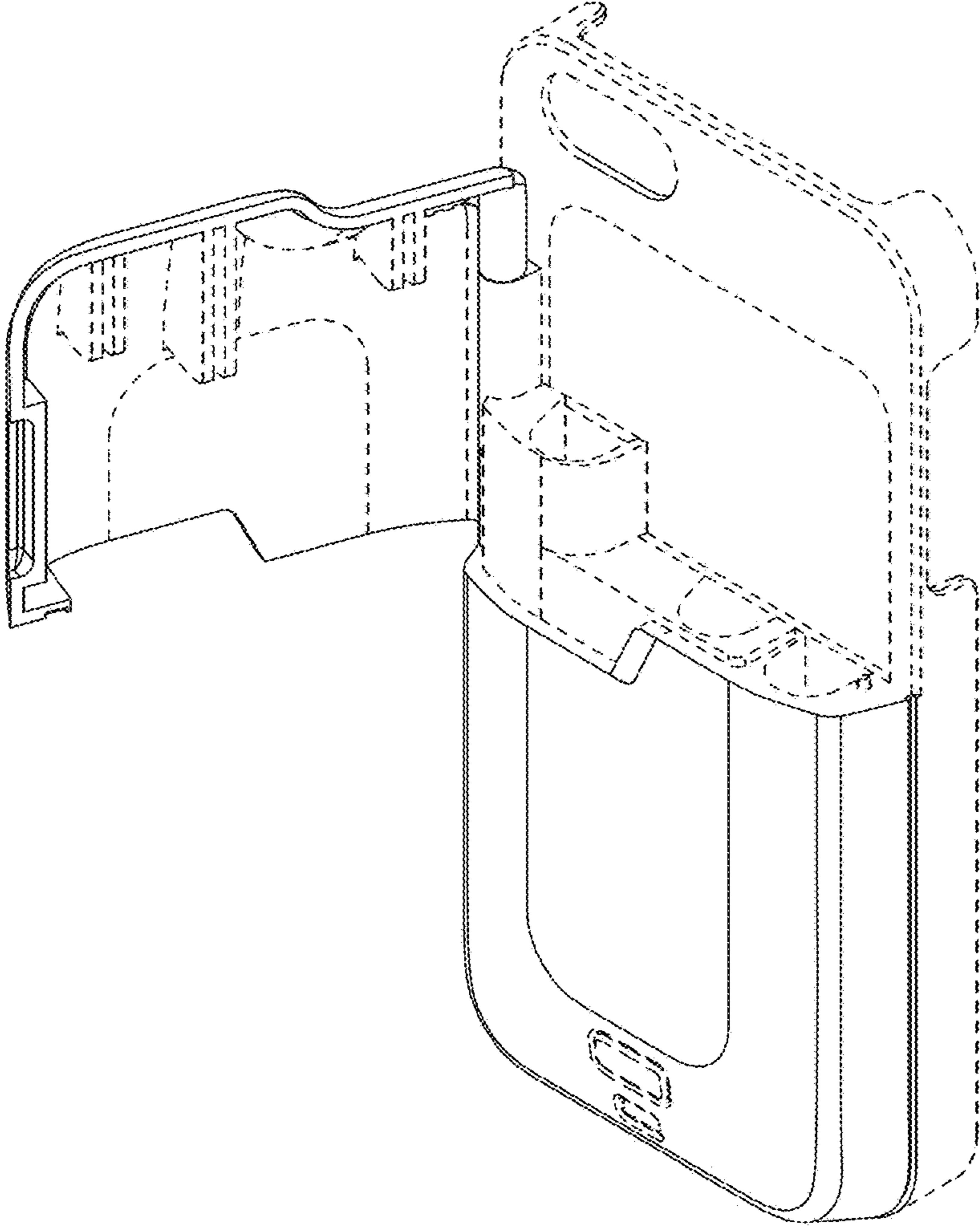


FIG. 8

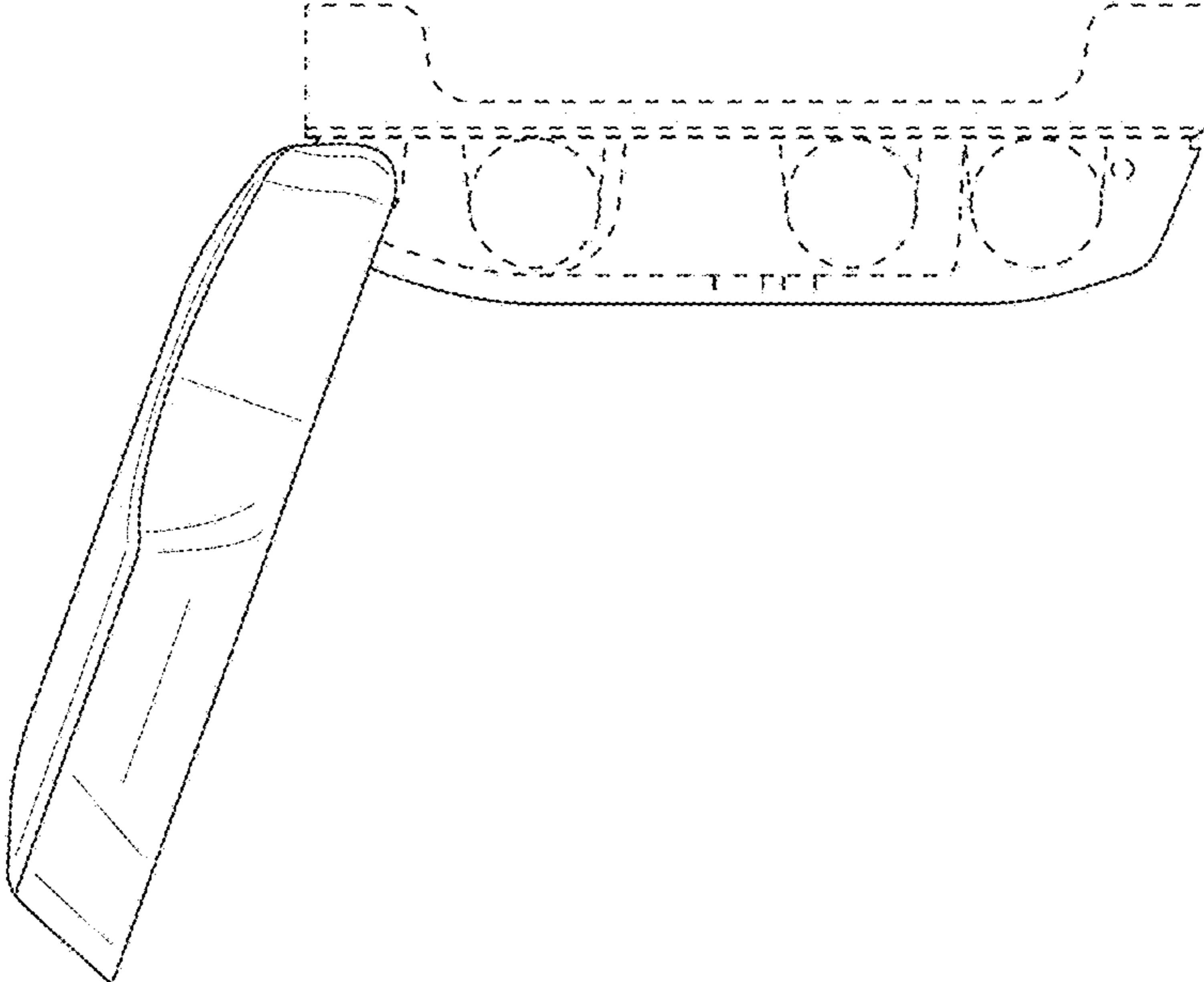


FIG. 9