



US00D865739S

(12) **United States Design Patent** (10) **Patent No.:** **US D865,739 S**
Altschul et al. (45) **Date of Patent:** **** *Nov. 5, 2019**

(54) **CASE FOR A MOBILE COMMUNICATIONS DEVICE**

(71) Applicant: **Catalyst Medium Four, Inc.**, Austin, TX (US)

(72) Inventors: **Matthew Altschul**, Austin, TX (US);
Michael J. Martin, Portland, OR (US);
Beejan Soheili, Chula Vista, CA (US)

(73) Assignee: **Catalyst Medium Four, Inc.**, Austin, TX (US)

(*) Notice: This patent is subject to a terminal disclaimer.

(**) Term: **15 Years**

(21) Appl. No.: **29/579,304**

(22) Filed: **Sep. 29, 2016**

(51) **LOC (12) Cl.** **14-03**

(52) **U.S. Cl.**
USPC **D14/250**

(58) **Field of Classification Search**
USPC D14/248, 439, 203.3–203.7, 447, 238.1,
D14/251–253, 217, 240, 250, 440;
D3/201, 218, 247, 269, 273, 301, 303;
D13/103, 107–108, 119
CPC H04B 1/3888; H04M 1/0283; H04M
1/0202; A45C 1/06; A45C 11/00; A45C
13/02; A45C 2011/002; A45F 2005/026;
A45F 2200/0525; A45F 2200/0516
See application file for complete search history.

(56) **References Cited**

U.S. PATENT DOCUMENTS

D389,158 S * 1/1998 Oross D13/119
D674,792 S * 1/2013 Magness D14/250
D689,056 S * 9/2013 Li D14/440
D689,851 S * 9/2013 Chang D14/250
D690,704 S * 10/2013 Padilla D14/440

D693,350 S * 11/2013 Mish D14/440
D699,716 S * 2/2014 Pan D14/250
D701,211 S * 3/2014 Ng D14/440
D702,672 S * 4/2014 Mather D14/250
D720,739 S * 1/2015 Liu D14/250
D726,170 S * 4/2015 Ng D14/250

(Continued)

OTHER PUBLICATIONS

Silk Armor Tough Case for iPhone 7 Plus—Review—MyMac.com, published on Oct. 25, 2016, URL:<<http://www.mymac.com/2016/10/silk-armor-tough-case-for-iphon>>, retrieved from internet on Sep. 28, 2018.*

Primary Examiner — Carla J Wright

(74) Attorney, Agent, or Firm — Scheinberg & Associates; John B. Kelly; Michael O Scheinberg

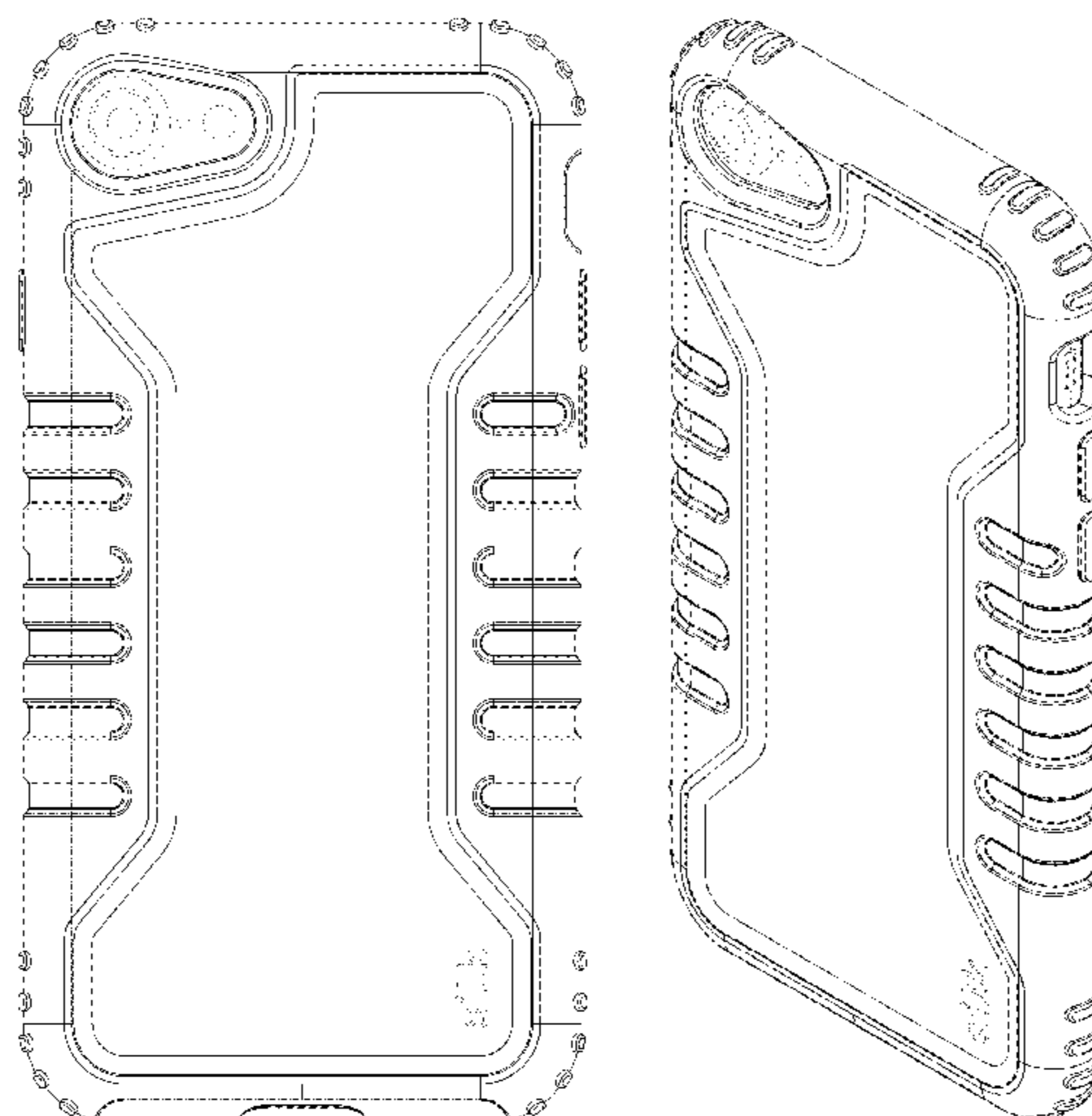
(57) **CLAIM**

We claim the ornamental design for a case for a mobile communications device, as shown and described.

DESCRIPTION

FIG. 1 is a back plan view of a case for a mobile communications device according to the present design.
FIG. 2 is a front plan view thereof.
FIG. 3 is a back perspective view thereof.
FIG. 4 is a back perspective view thereof, the side being the side opposite of the side shown in FIG. 3.
FIG. 5 is a back perspective view thereof.
FIG. 6 is a back perspective view thereof, the side being the side opposite of the side shown in FIG. 5.
FIG. 7 is a side elevation view thereof.
FIG. 8 is side elevation view thereof, the side being the side opposite of the side shown in FIG. 7.
FIG. 9 is a bottom elevation view thereof; and,
FIG. 10 is a top elevation view thereof.
The broken lines in the drawing figures depict an environmental mobile communications device and portions of the case that form no part of the claimed design.

1 Claim, 8 Drawing Sheets



(56)

References Cited

U.S. PATENT DOCUMENTS

D763,854	S *	8/2016	Domke	D14/440
D775,615	S *	1/2017	Tien	D14/250
D784,350	S *	4/2017	Li	D14/440
D790,526	S *	6/2017	Babichenko	D14/250
D798,288	S *	9/2017	Babichenko	D14/250
D798,854	S *	10/2017	Babichenko	D14/250
D808,371	S *	1/2018	Kim	D14/250
D812,600	S *	3/2018	Altaras	D14/250
D812,618	S *	3/2018	Altaras	D14/440
D813,217	S *	3/2018	Kim	D14/250
D814,453	S *	4/2018	Chiang	D14/250
D816,651	S *	5/2018	Chiang	D14/250
2015/0341069	A1 *	11/2015	Liu	H04B 1/3888 455/575.8
2016/0021996	A1 *	1/2016	Tien	A45C 11/00 224/191
2018/0115339	A1 *	4/2018	Altschul	H04B 1/3888

* cited by examiner

FIG. 1

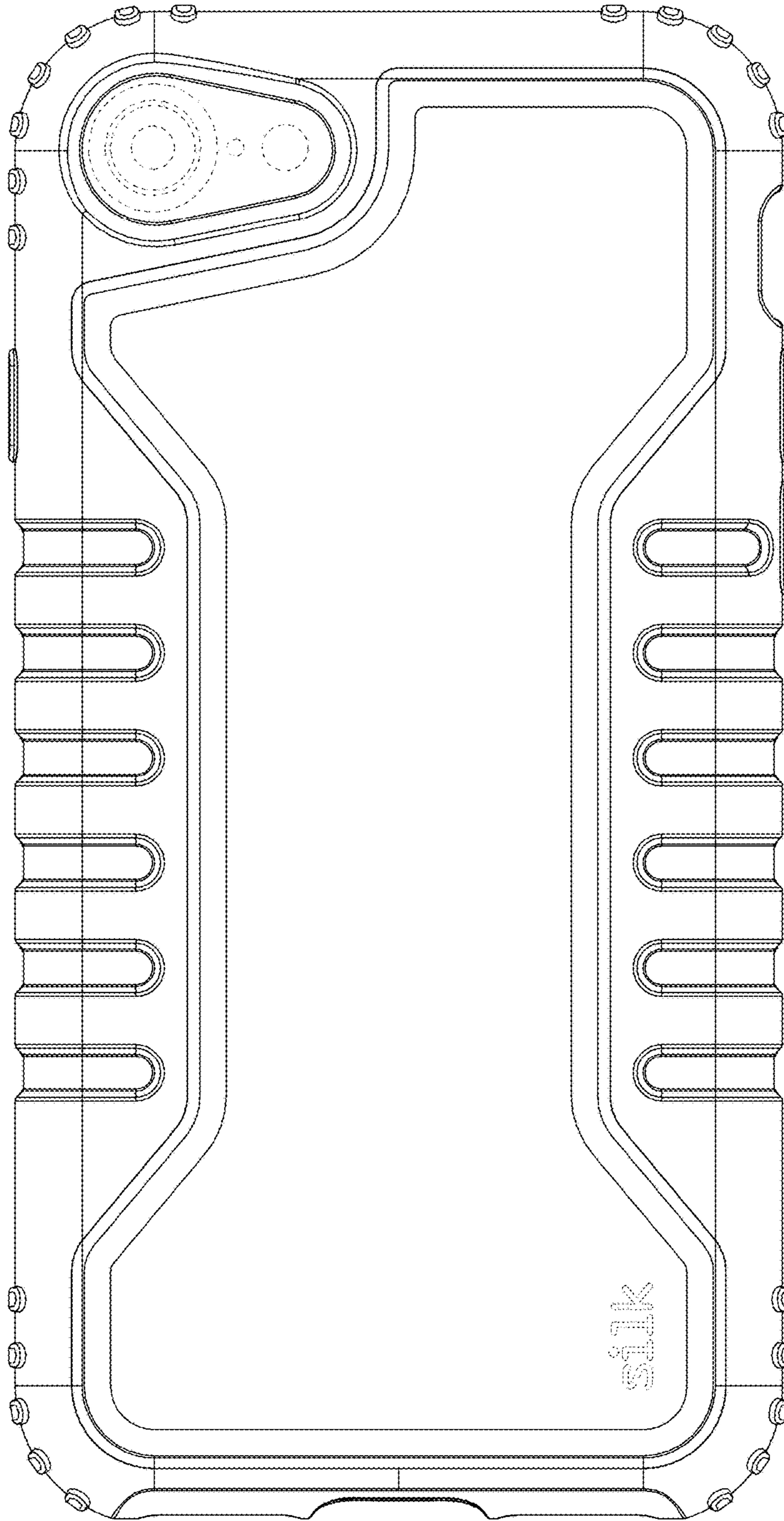


FIG. 2

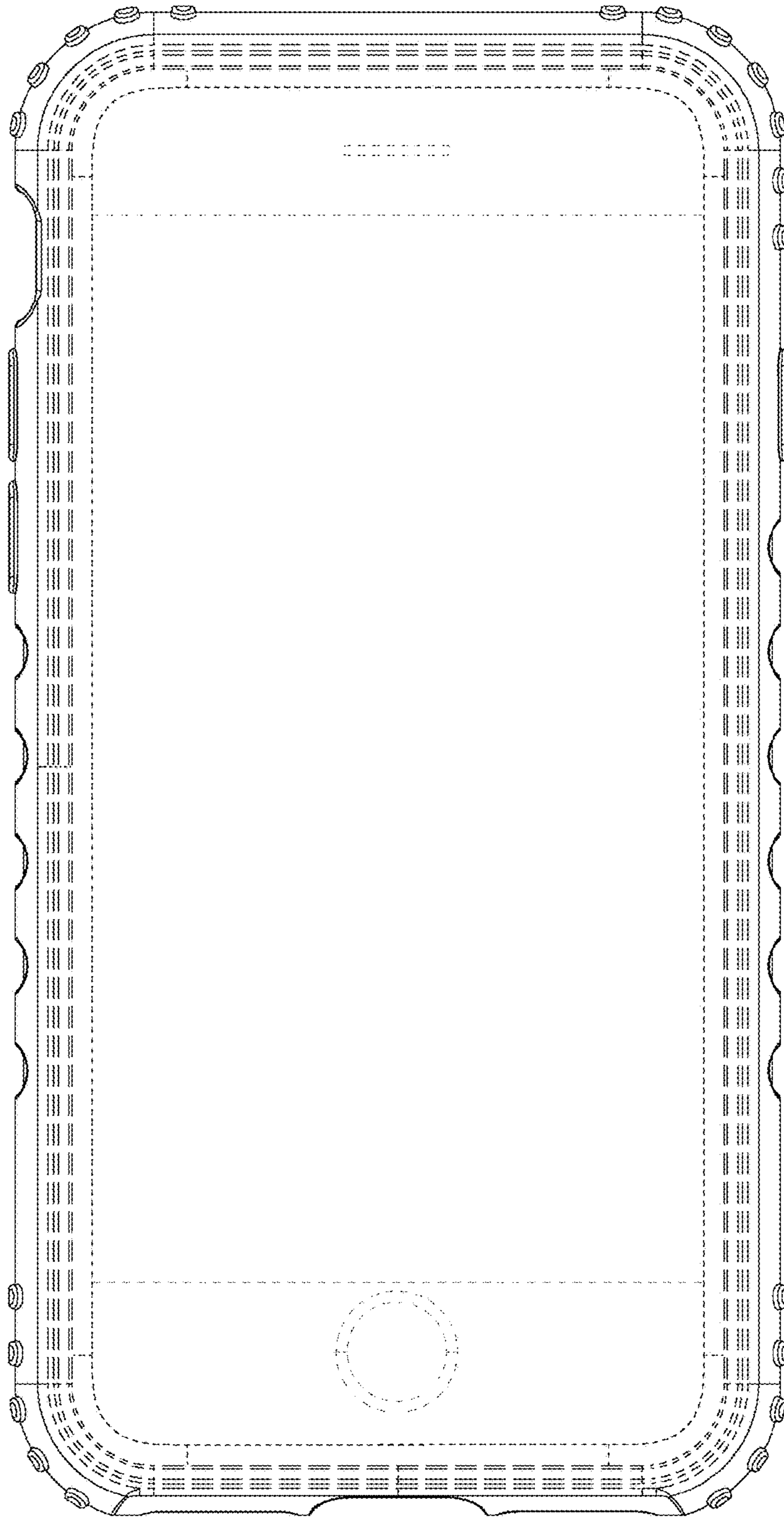


FIG. 3

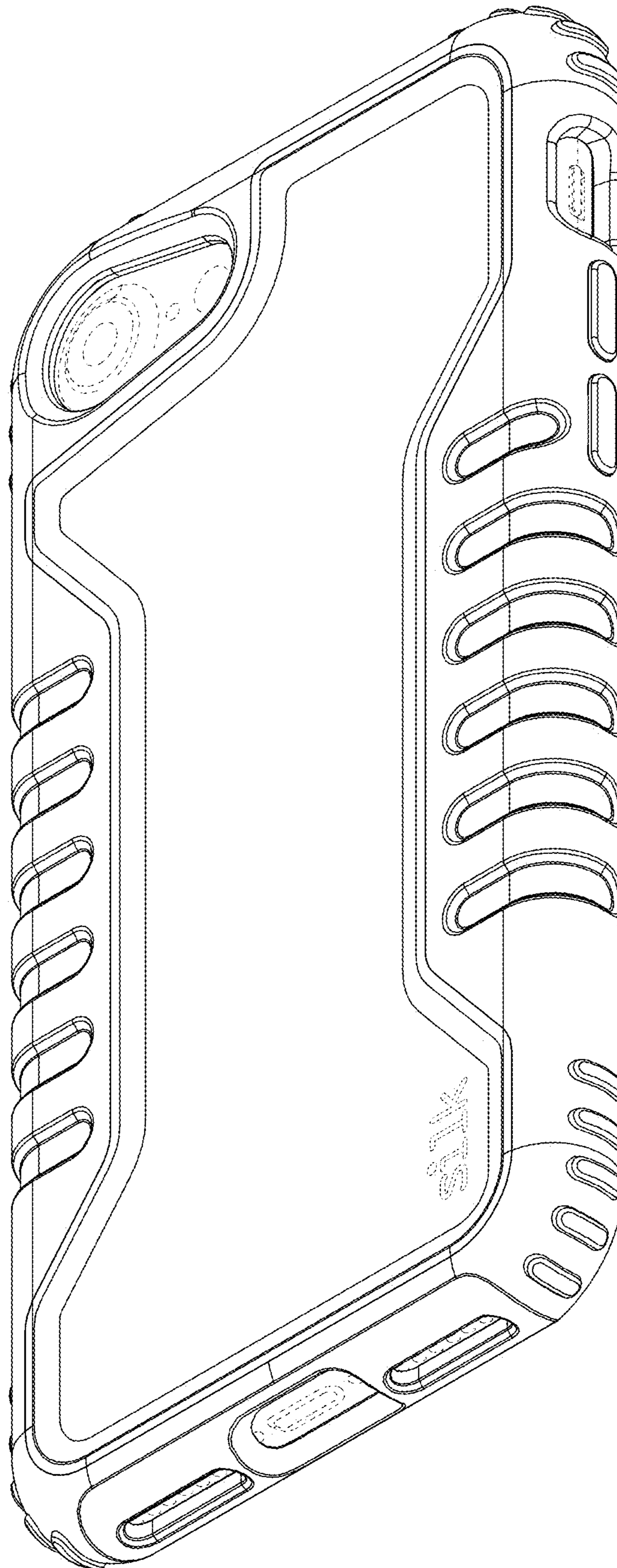


FIG. 4

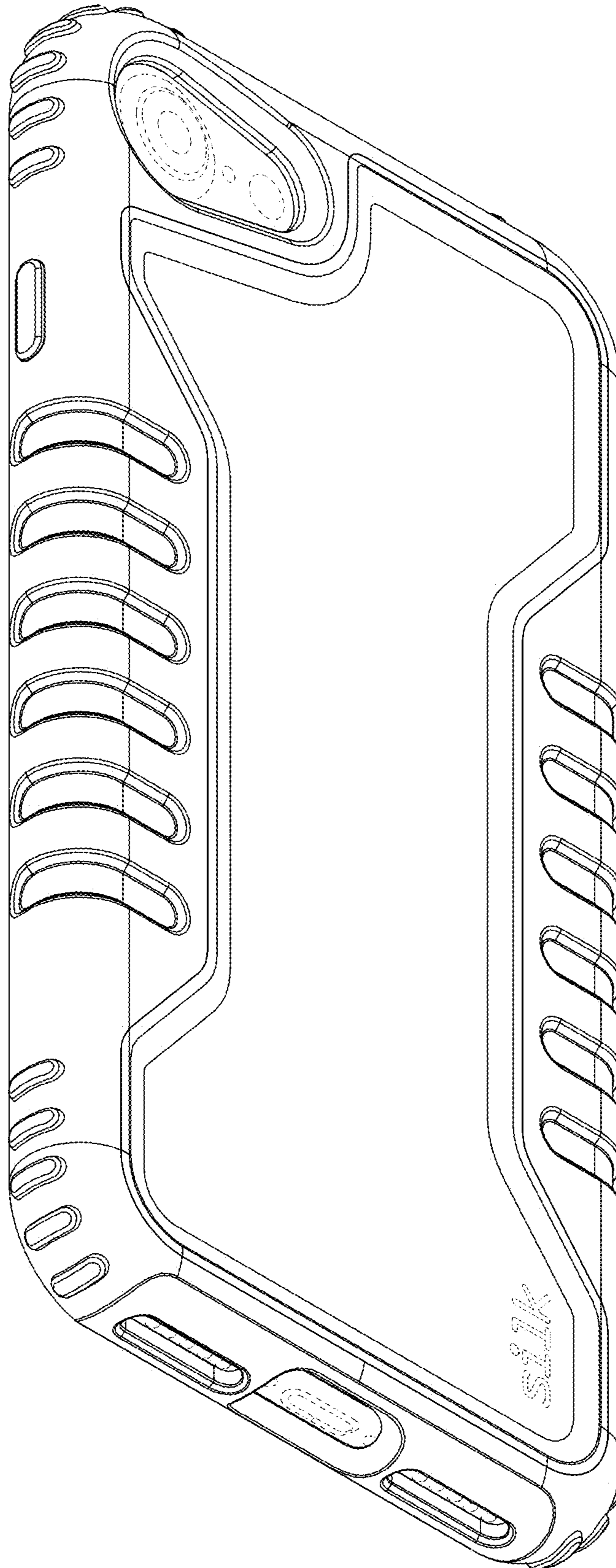


FIG. 5

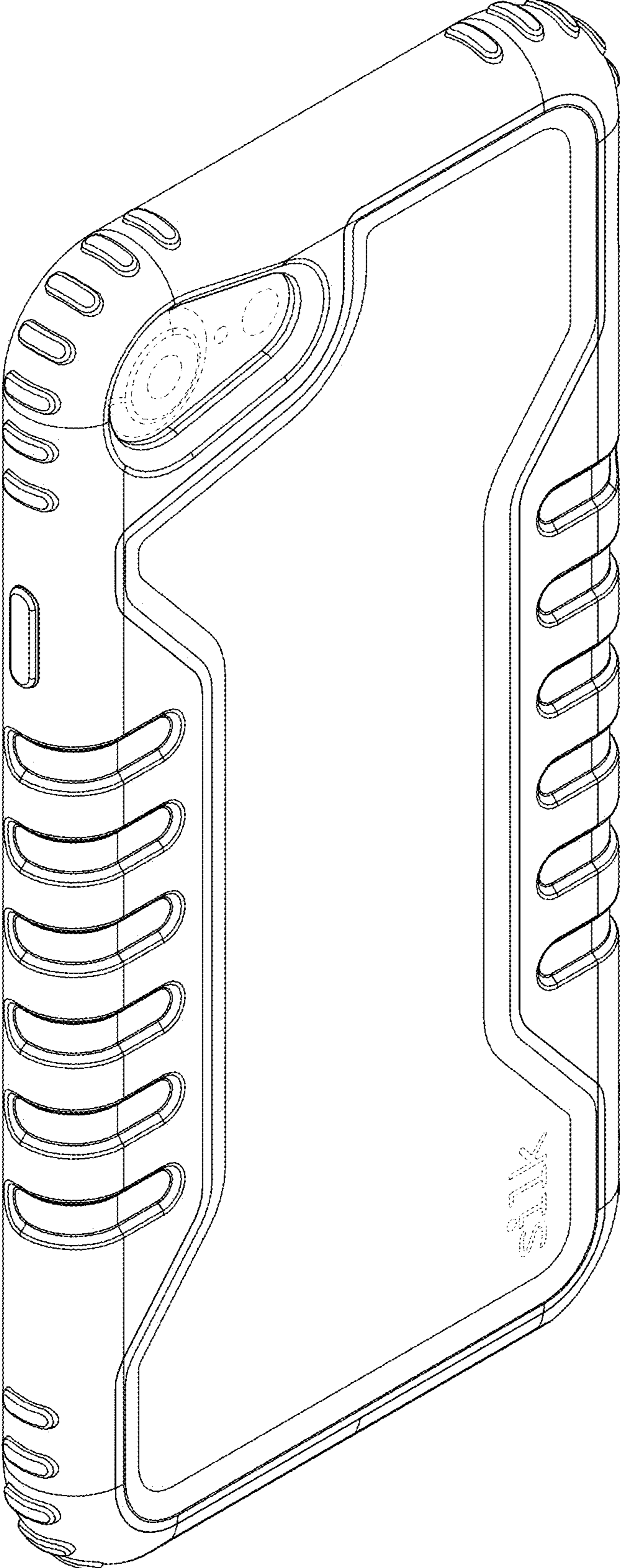
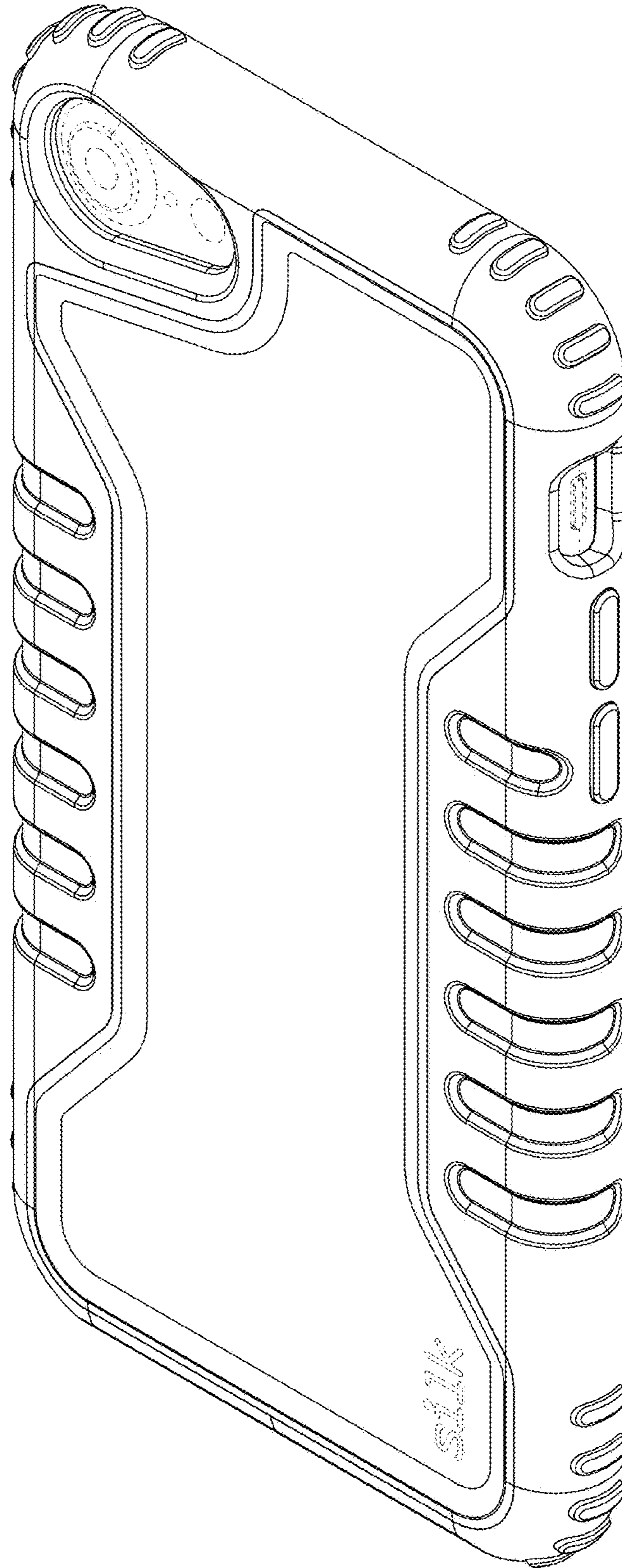


FIG. 6



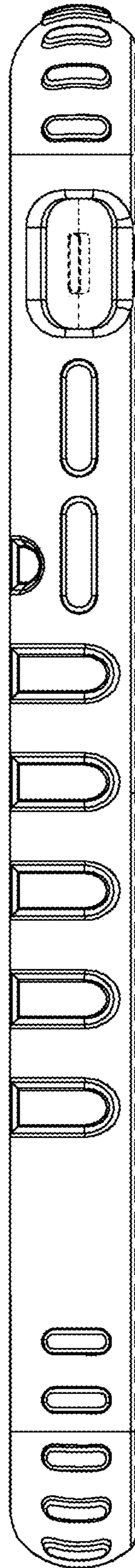


FIG. 7

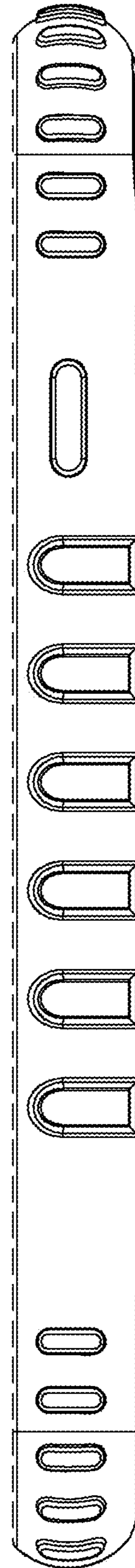


FIG. 8

FIG. 9

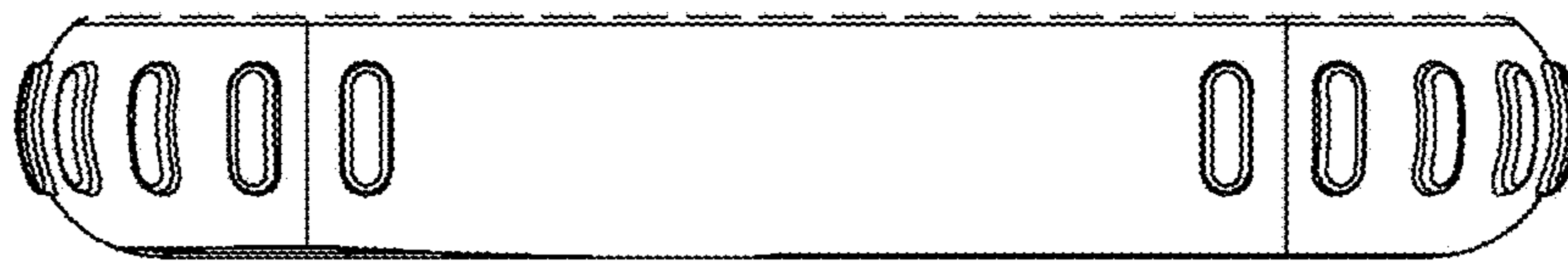
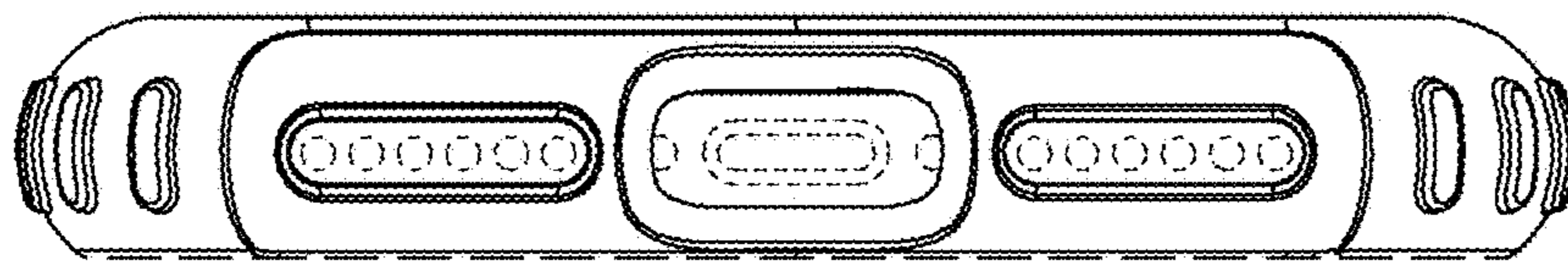


FIG. 10