



US00D865730S

(12) **United States Design Patent**
Seong et al.

(10) **Patent No.:** **US D865,730 S**
(45) **Date of Patent:** **** Nov. 5, 2019**

(54) **TELEVISION RECEIVER**

FOREIGN PATENT DOCUMENTS

- (71) Applicant: **SAMSUNG ELECTRONICS CO., LTD.**, Suwon-si, Gyeonggi-do (KR)
- (72) Inventors: **Bo-Kyung Seong**, Daejeon-Si (KR); **Sung-Jin Ann**, Seoul (KR); **Gil-Jae Lee**, Seoul (KR); **Won-Chul Hwang**, Seoul (KR)
- (73) Assignee: **SAMSUNG ELECTRONICS CO., LTD.**, Gyeonggi-Do (KR)

CN	303181234 S	4/2015
CN	303551209 S	1/2016
CN	303551212 S	1/2016
CN	303551318 S	1/2016

* cited by examiner

Primary Examiner — Randall H Gholson

(74) *Attorney, Agent, or Firm* — Cantor Colburn LLP

(**) Term: **15 Years**

(57) **CLAIM**

(21) Appl. No.: **29/655,875**

The ornamental design for a television receiver, as shown and described.

(22) Filed: **Jul. 9, 2018**

(30) **Foreign Application Priority Data**

Jan. 18, 2018 (KR) 30-2018-0003024

(51) **LOC (12) Cl.** **14-03**

(52) **U.S. Cl.**
USPC **D14/239**; D14/126

(58) **Field of Classification Search**
USPC D14/125-134, 239, 371, 136, 374-377, D14/440, 450, 448, 336, 342, 159; 312/7.2; 348/836, 838, 180, 184, 325, 348/739; 248/917-924, 465; 345/104, 345/133, 156, 168, 87, 173; D21/329, D21/515, 577, 622, 333, 433, 448, 452, D21/450, 331, 505; D10/15, 26; 446/484, 175, 356; D6/477, 479, 300; D24/185; D34/14
CPC ... G06F 1/1601; G06F 1/1643; H05K 5/0004; H05K 5/0017; H05K 5/02; H05K 5/0217
See application file for complete search history.

DESCRIPTION

FIG. 1 is a front perspective view of a television receiver, showing our new design;
FIG. 2 is a front view thereof;
FIG. 3 is a rear view thereof;
FIG. 4 is a left-side view thereof;
FIG. 5 is a right-side view thereof;
FIG. 6 is a top view thereof;
FIG. 7 is a bottom view thereof;
FIG. 8 is a rear perspective view thereof;
FIG. 9 is a front perspective view showing only a stand portion thereof;
FIG. 10 is a front view of the stand portion;
FIG. 11 is a rear view of the stand portion;
FIG. 12 is a left-side view of the stand portion;
FIG. 13 is a right-side view of the stand portion;
FIG. 14 is a top view of the stand portion;
FIG. 15 is a bottom view of the stand portion; and,
FIG. 16 is a rear perspective view of the stand portion.
The broken lines in the figures depict portions of the television receiver and form no part of the claimed design.

(56) **References Cited**

U.S. PATENT DOCUMENTS

D728,527 S	*	5/2015	Kim	D14/217
D748,596 S		2/2016	McManigal et al.		
D788,748 S	*	6/2017	Woo	D14/239
D797,085 S	*	9/2017	So	D14/126

1 Claim, 16 Drawing Sheets

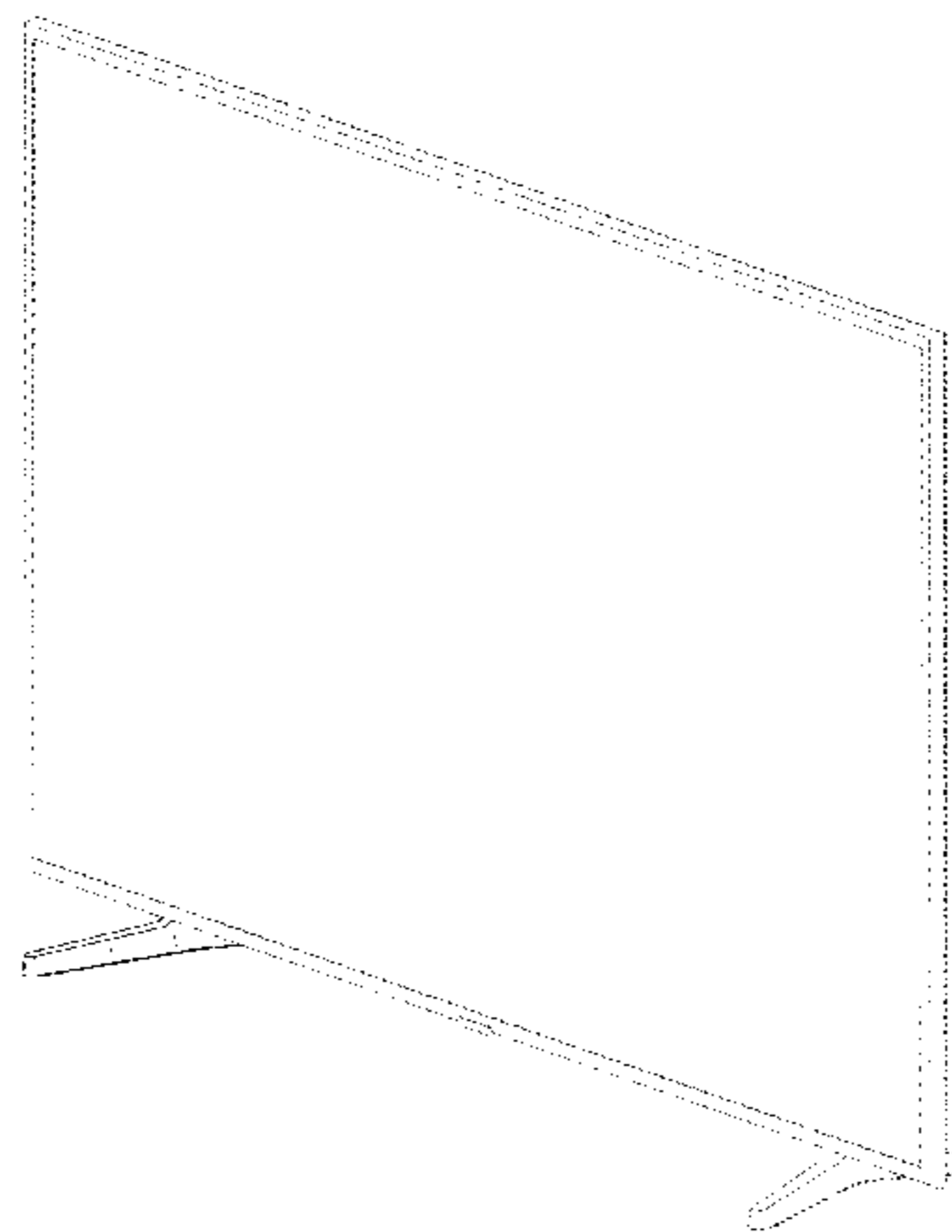


FIG. 1

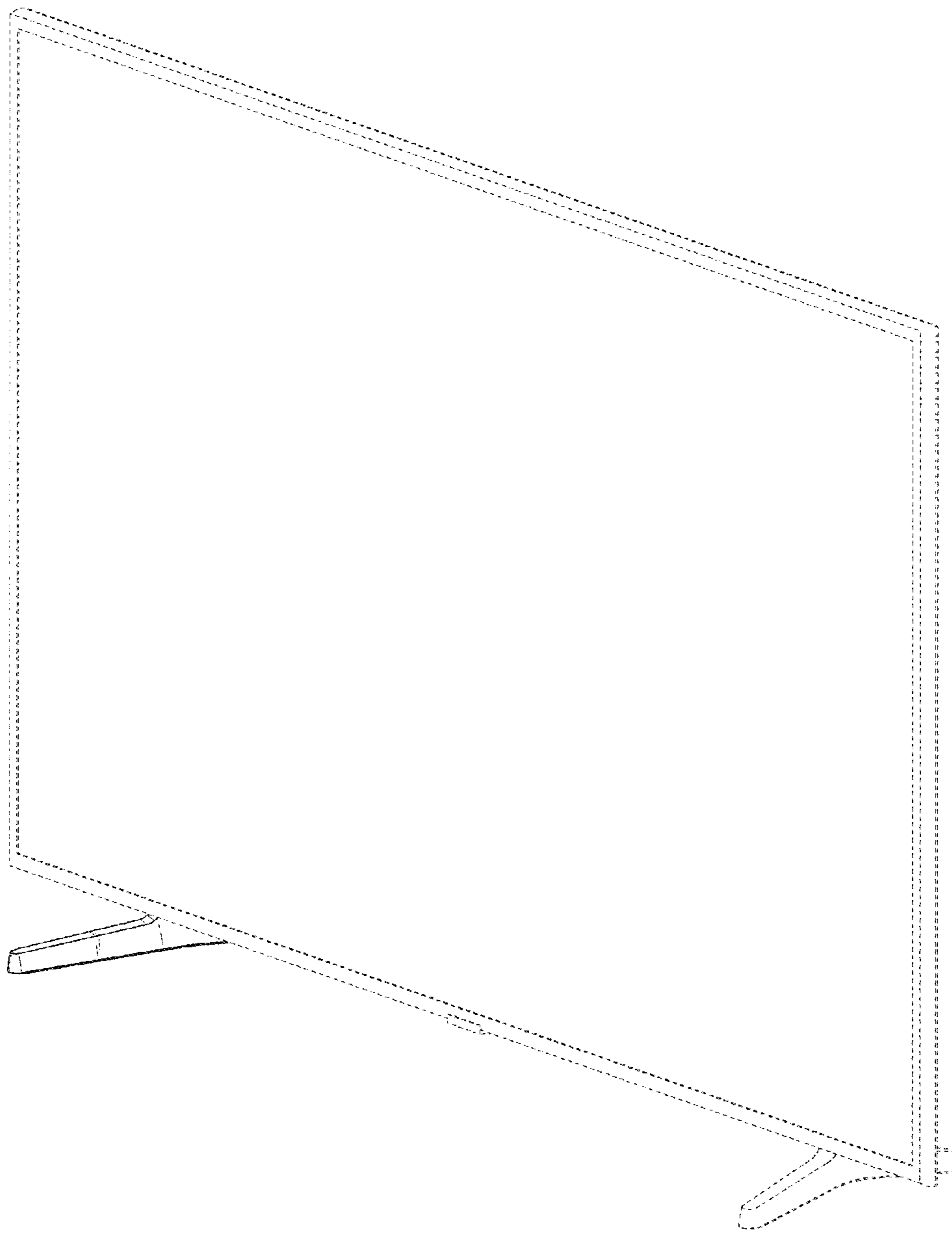


FIG. 2



FIG. 3

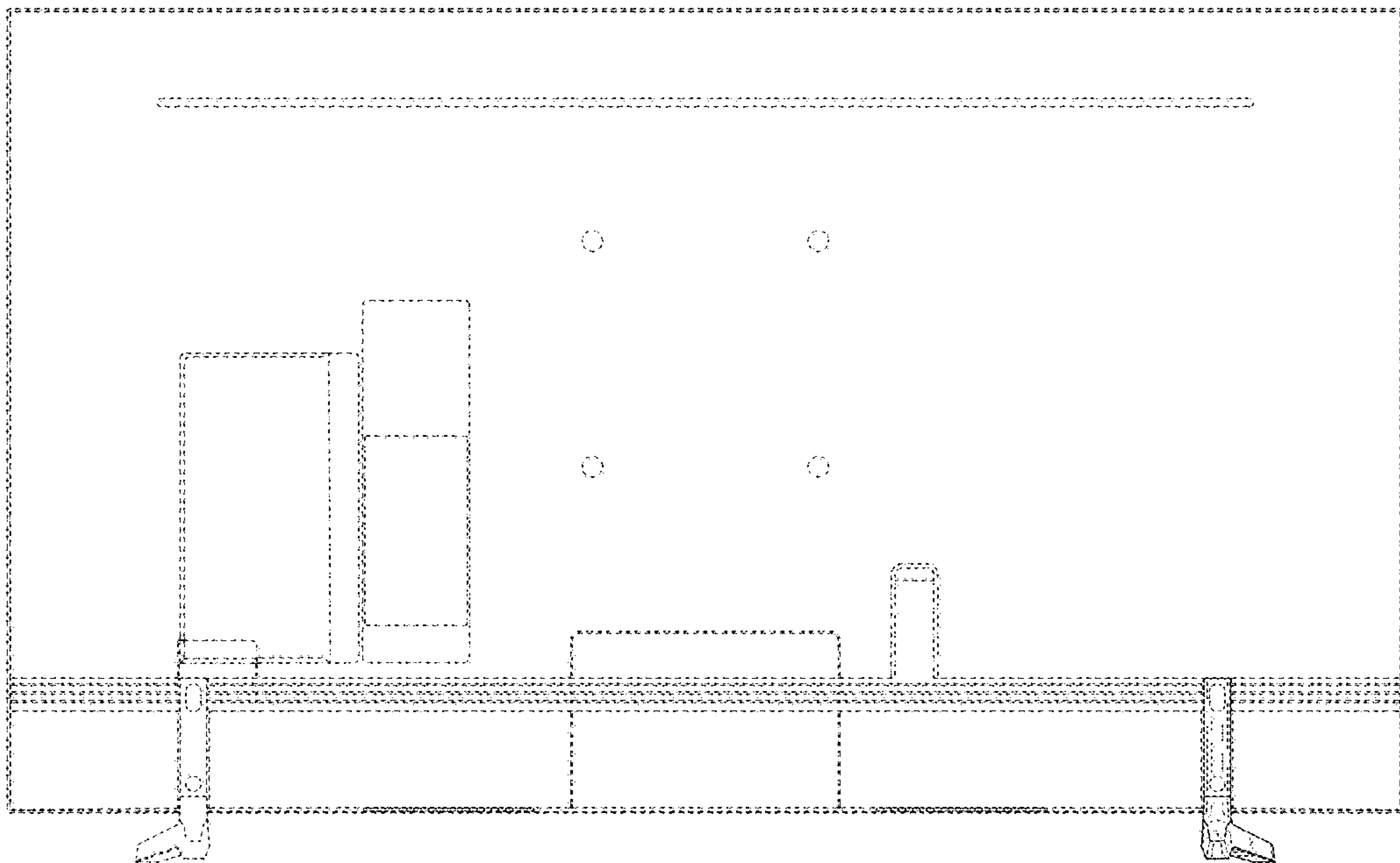


FIG. 4

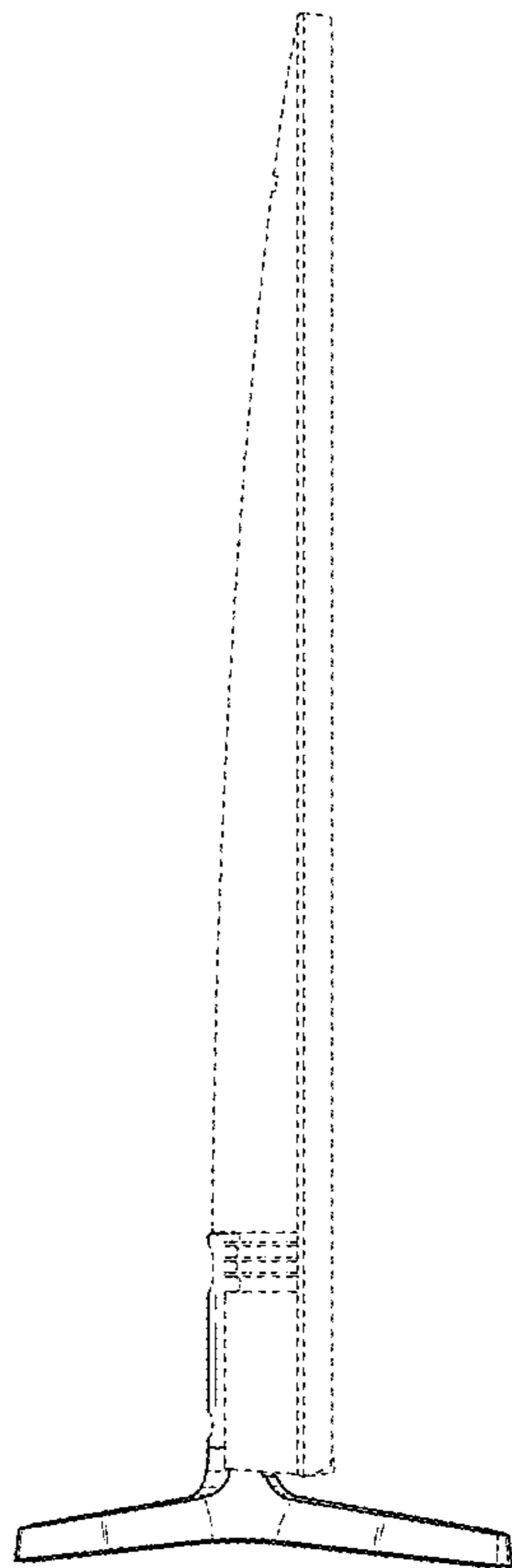


FIG. 5

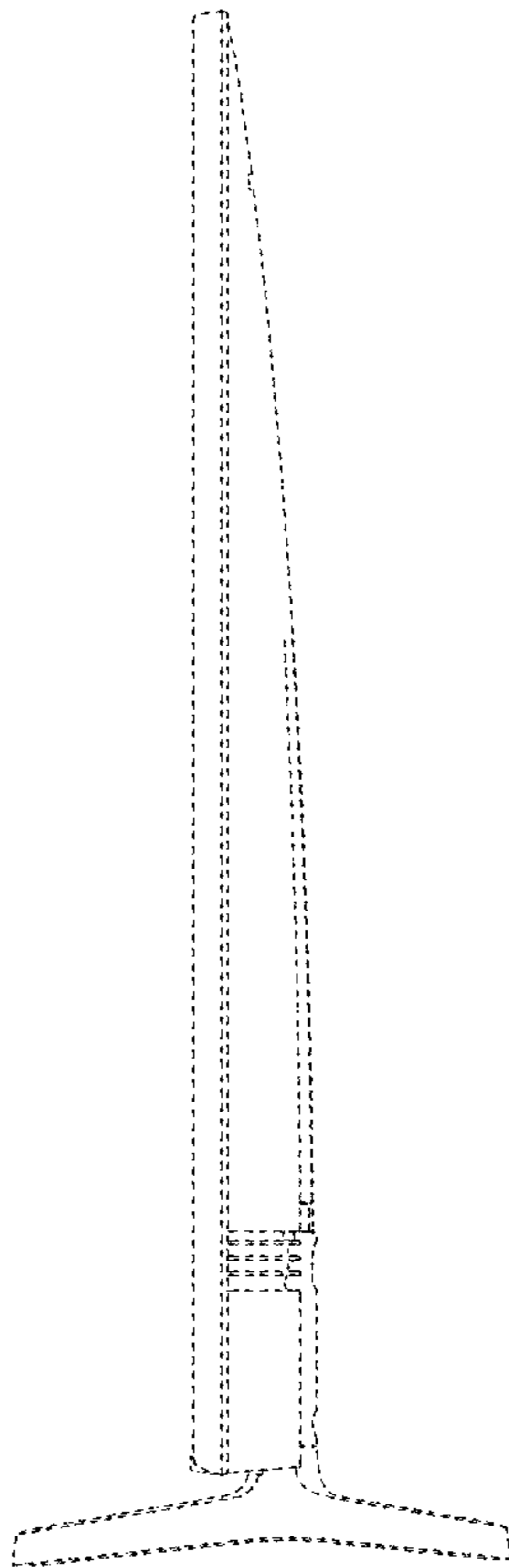


FIG. 6

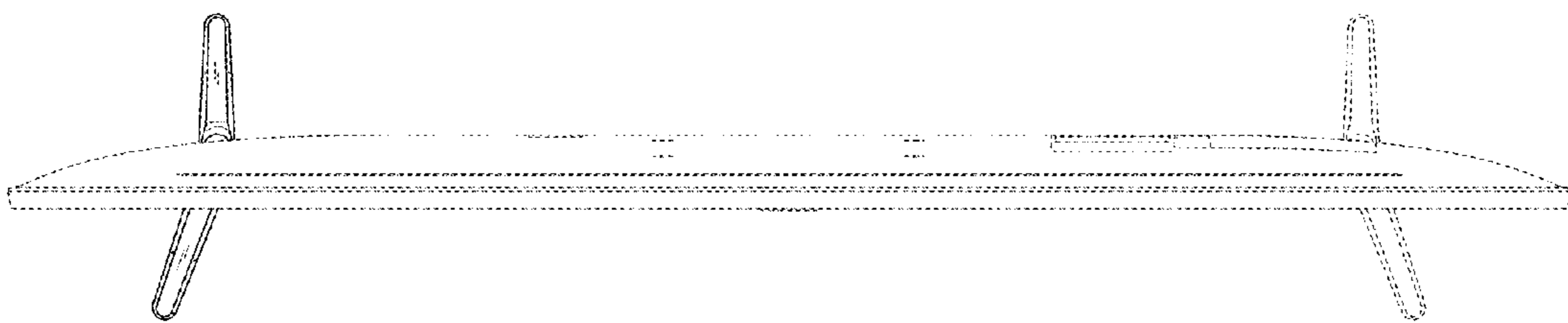


FIG. 7

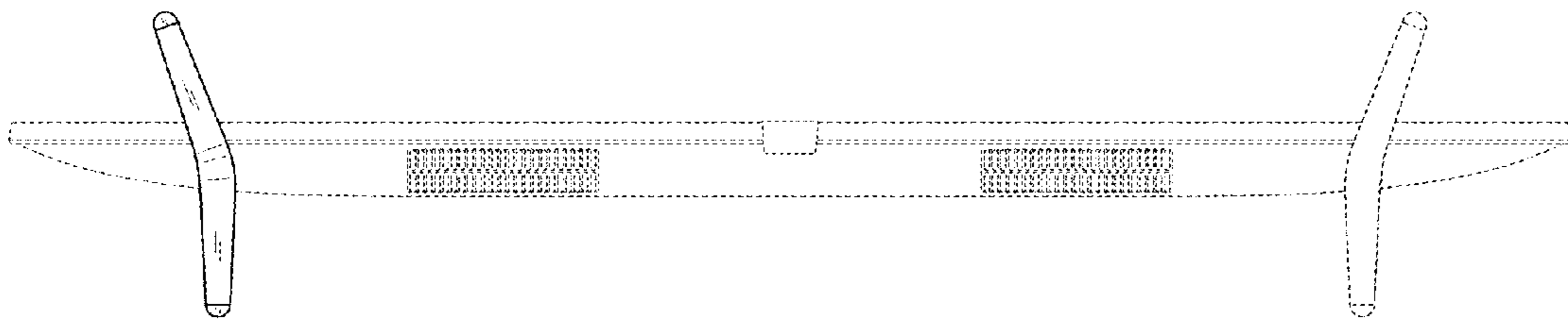


FIG. 8

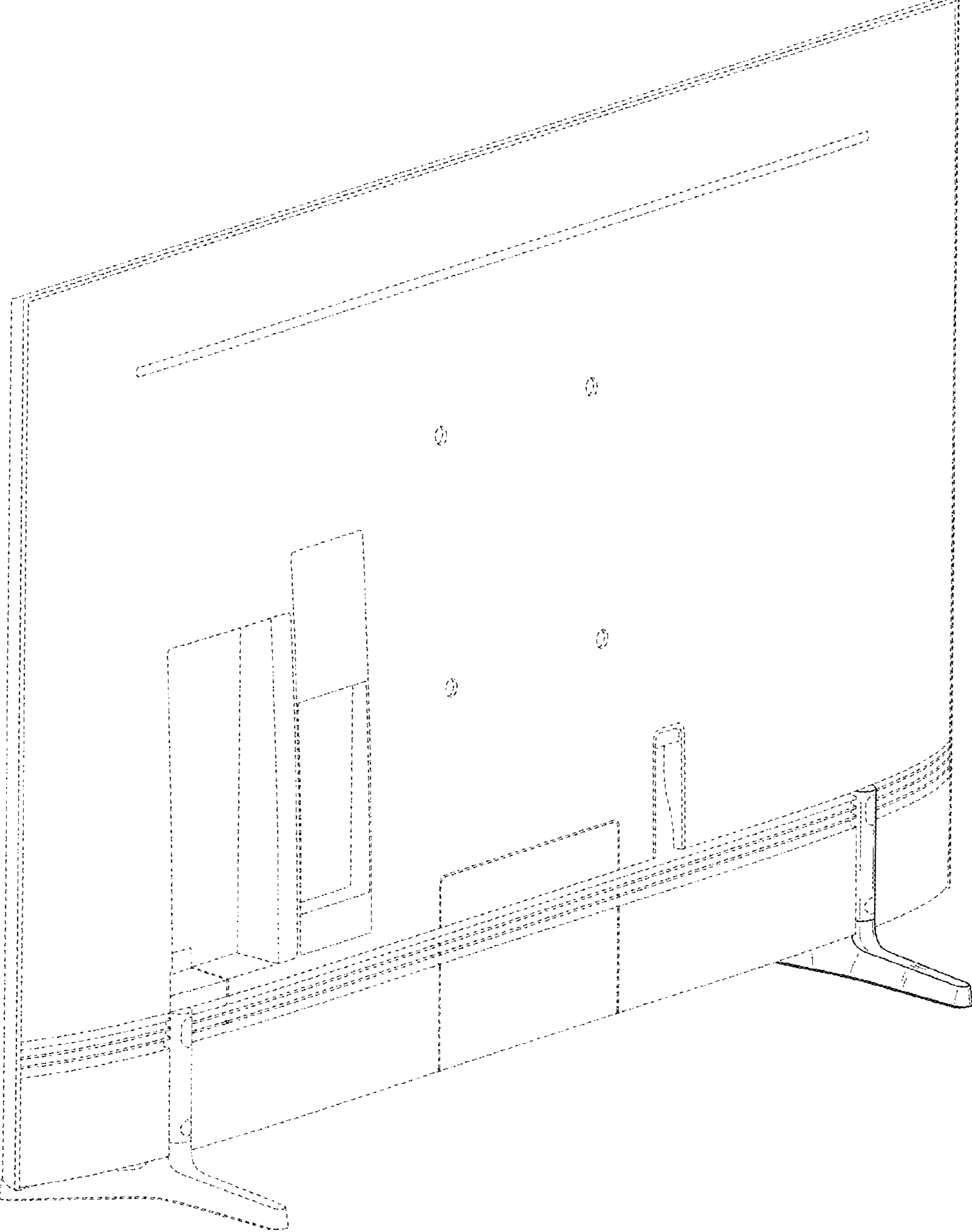


FIG. 9

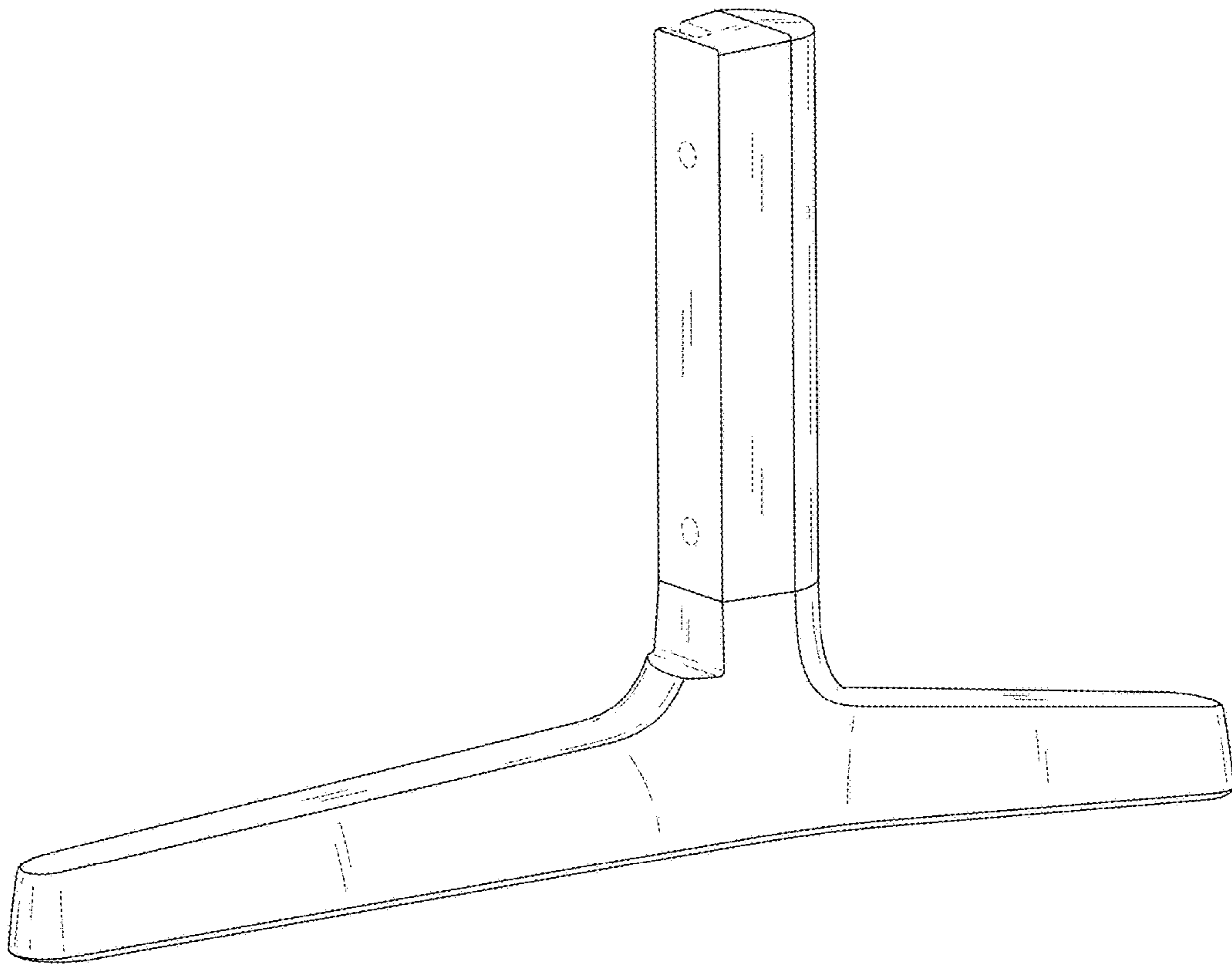


FIG. 10

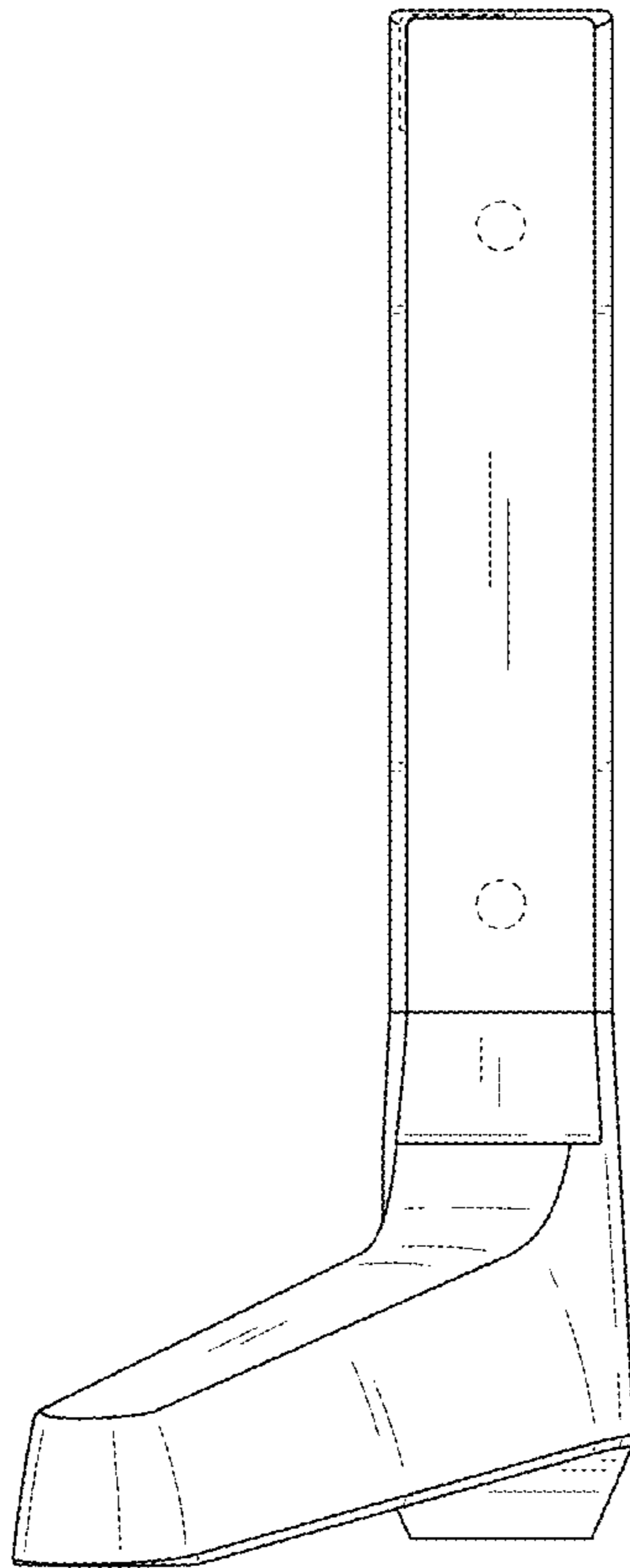


FIG. 11

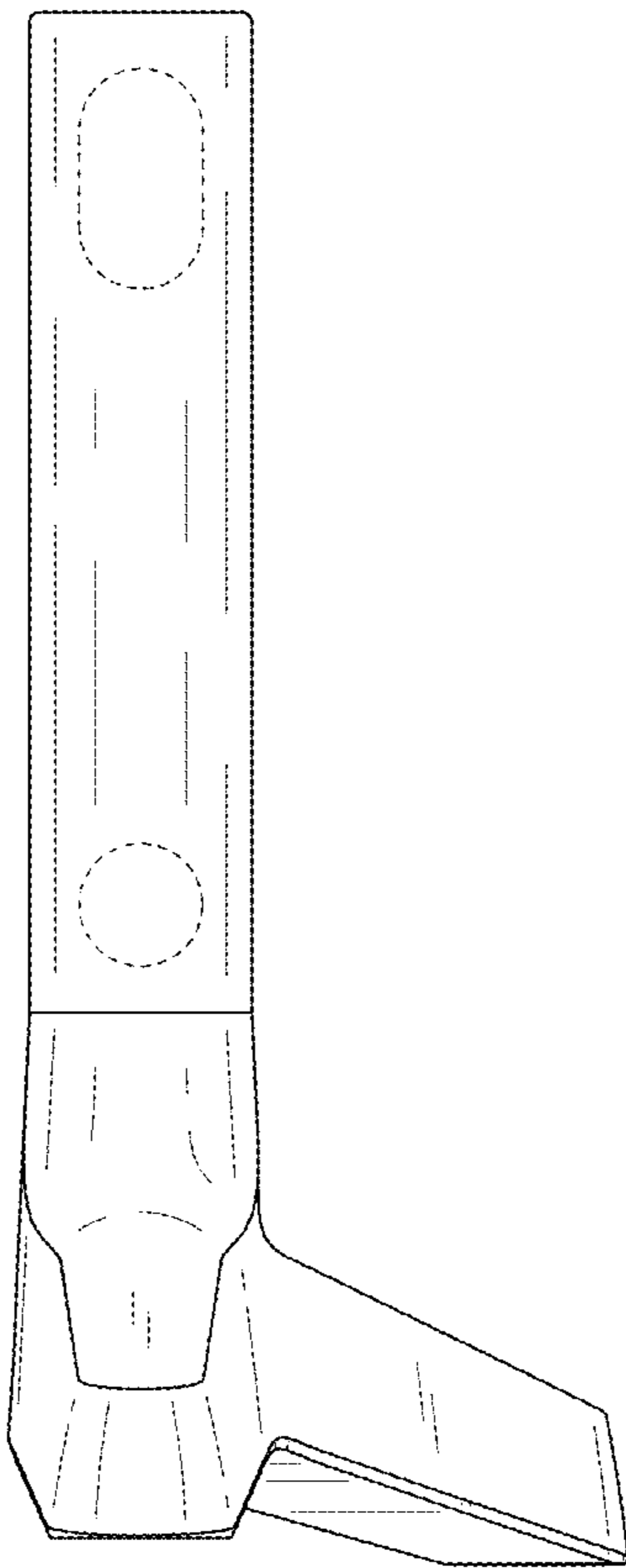


FIG. 12

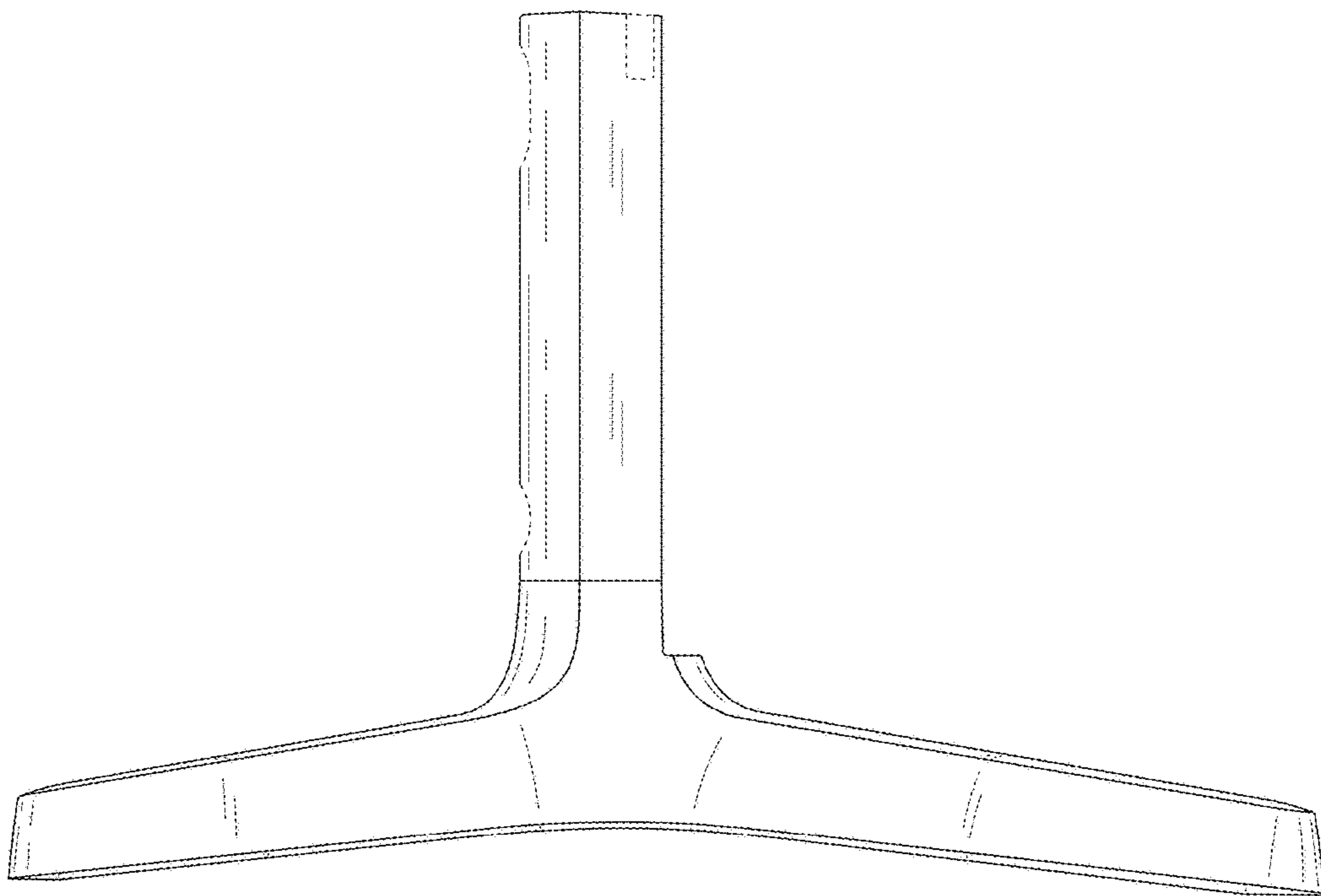


FIG. 13

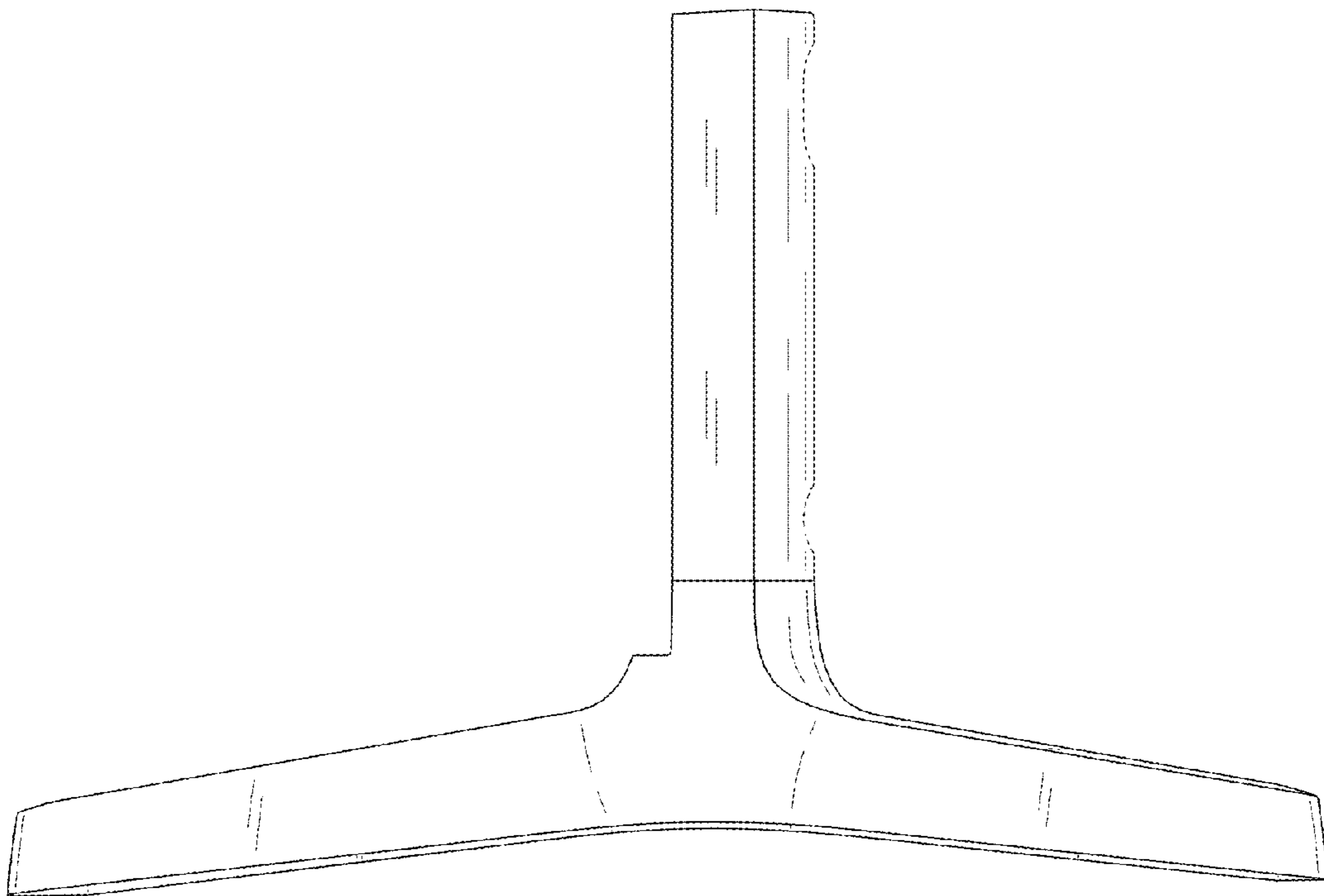


FIG. 14

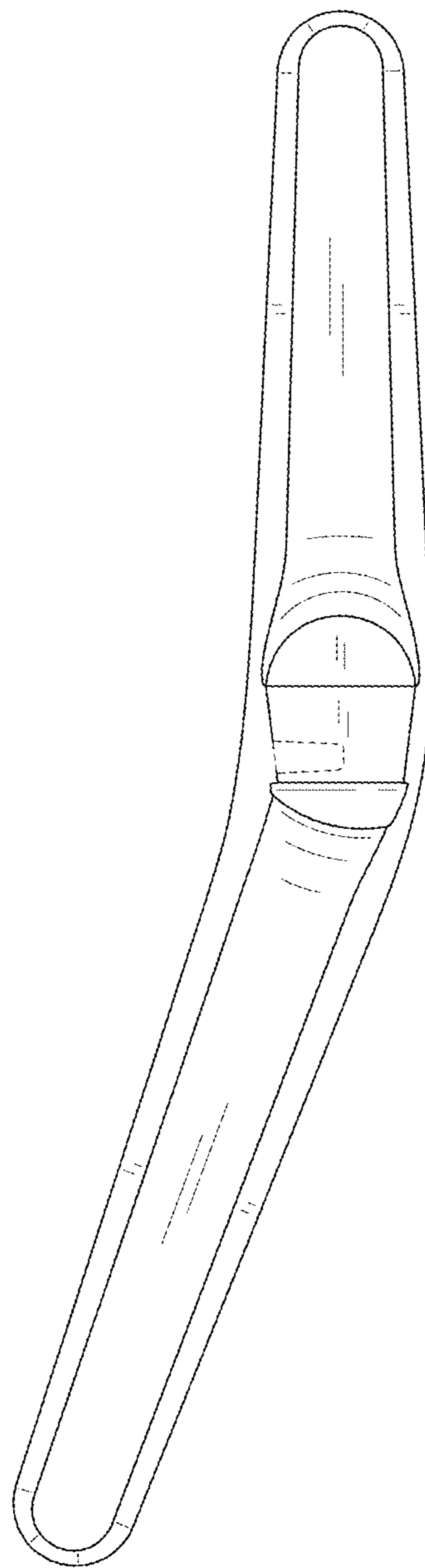


FIG. 15

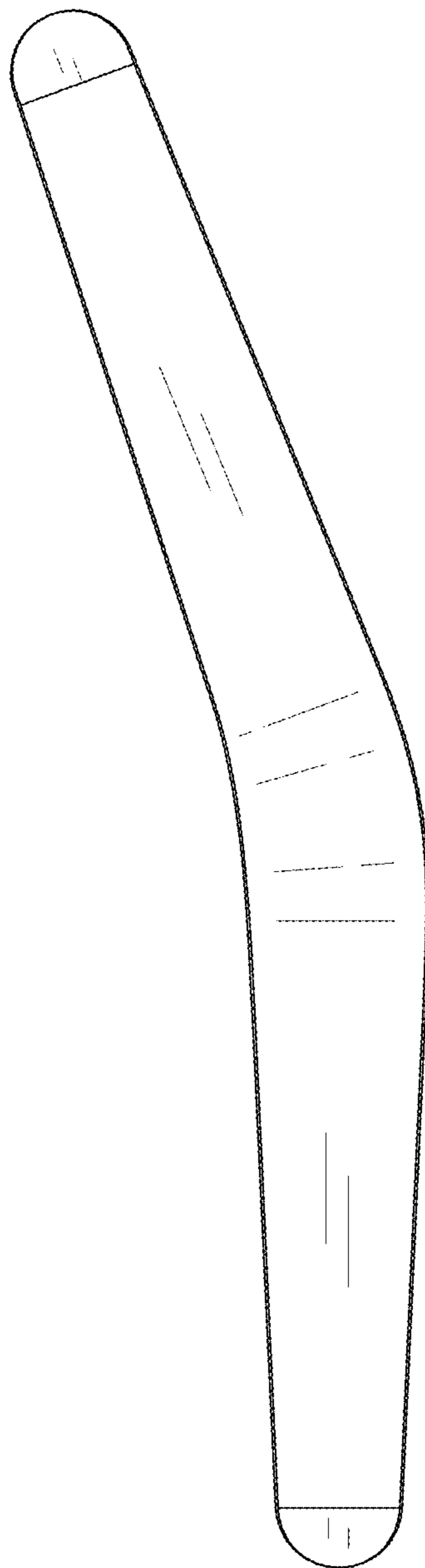


FIG. 16

