



US00D865729S

(12) **United States Design Patent** (10) **Patent No.:** **US D865,729 S**  
**Kim et al.** (45) **Date of Patent:** **\*\* Nov. 5, 2019**

(54) **TELEVISION RECEIVER**

FOREIGN PATENT DOCUMENTS

(71) Applicant: **SAMSUNG ELECTRONICS CO., LTD.**, Suwon-si (KR)  
(72) Inventors: **Ji-Gwang Kim**, Seoul (KR); **Jaewook Yoo**, Seoul (KR); **Sangmin Hyun**, Seoul (KR)  
(73) Assignee: **SAMSUNG ELECTRONICS CO., LTD.**, Gyeonggi-Do (KR)

JP 1422573 9/2011  
JP 1538284 11/2015  
JP 1556342 8/2016  
KR 300731891 2/2014

\* cited by examiner

*Primary Examiner* — Randall H Gholson  
(74) *Attorney, Agent, or Firm* — Cantor Colburn LLP

(\*\*) Term: **15 Years**

(21) Appl. No.: **29/655,447**

(57) **CLAIM**

(22) Filed: **Jul. 3, 2018**

The ornamental design for a television receiver, as shown and described.

(30) **Foreign Application Priority Data**

Jan. 8, 2018 (KR) ..... 30-2018-0001196

(51) **LOC (12) Cl.** ..... **14-03**

**DESCRIPTION**

(52) **U.S. Cl.**

USPC ..... **D14/239**; D14/126

(58) **Field of Classification Search**

USPC ..... D14/125-134, 239, 371, 136, 374-377, D14/440, 450, 448, 336, 342, 159; 312/7.2; 348/836, 838, 180, 184, 325, 348/739; 248/917-924, 465; 345/104, 345/133, 156, 168, 87, 173; D21/329, D21/515, 577, 622, 333, 433, 448, 452, D21/450, 331, 505; D10/15, 26; 446/484, 175, 356; D6/477, 479, 300; D24/185; D34/14

CPC ... G06F 1/1601; G06F 1/1643; H05K 5/0004; H05K 5/0017; H05K 5/02; H05K 5/0217

See application file for complete search history.

FIG. 1 is a front perspective view of a television receiver, showing our new design;  
FIG. 2 is a front view thereof;  
FIG. 3 is a rear view thereof;  
FIG. 4 is a left side view thereof;  
FIG. 5 is a right side view thereof;  
FIG. 6 is a top view thereof;  
FIG. 7 is a bottom view thereof; and  
FIG. 8 is a rear perspective view thereof;  
FIG. 9 is an enlarged view of the encircled portion 9 in FIG. 7; and,  
FIG. 10 is an enlarged view of the encircled portion 10 in FIG. 7.

(56) **References Cited**

U.S. PATENT DOCUMENTS

D658,140 S \* 4/2012 Hwangbo ..... D14/126  
D783,554 S \* 4/2017 Kim ..... D14/126  
D795,852 S \* 8/2017 Park ..... D14/126

The evenly spaced dash-dash broken lines depict portions of the television receiver that form no part of the claimed design. The dot-dot-dash broken lines in FIGS. 7, 9, and 10 that encircle the portions of the drawing disclosure illustrated in an enlargement form no part of the claimed design.

**1 Claim, 10 Drawing Sheets**

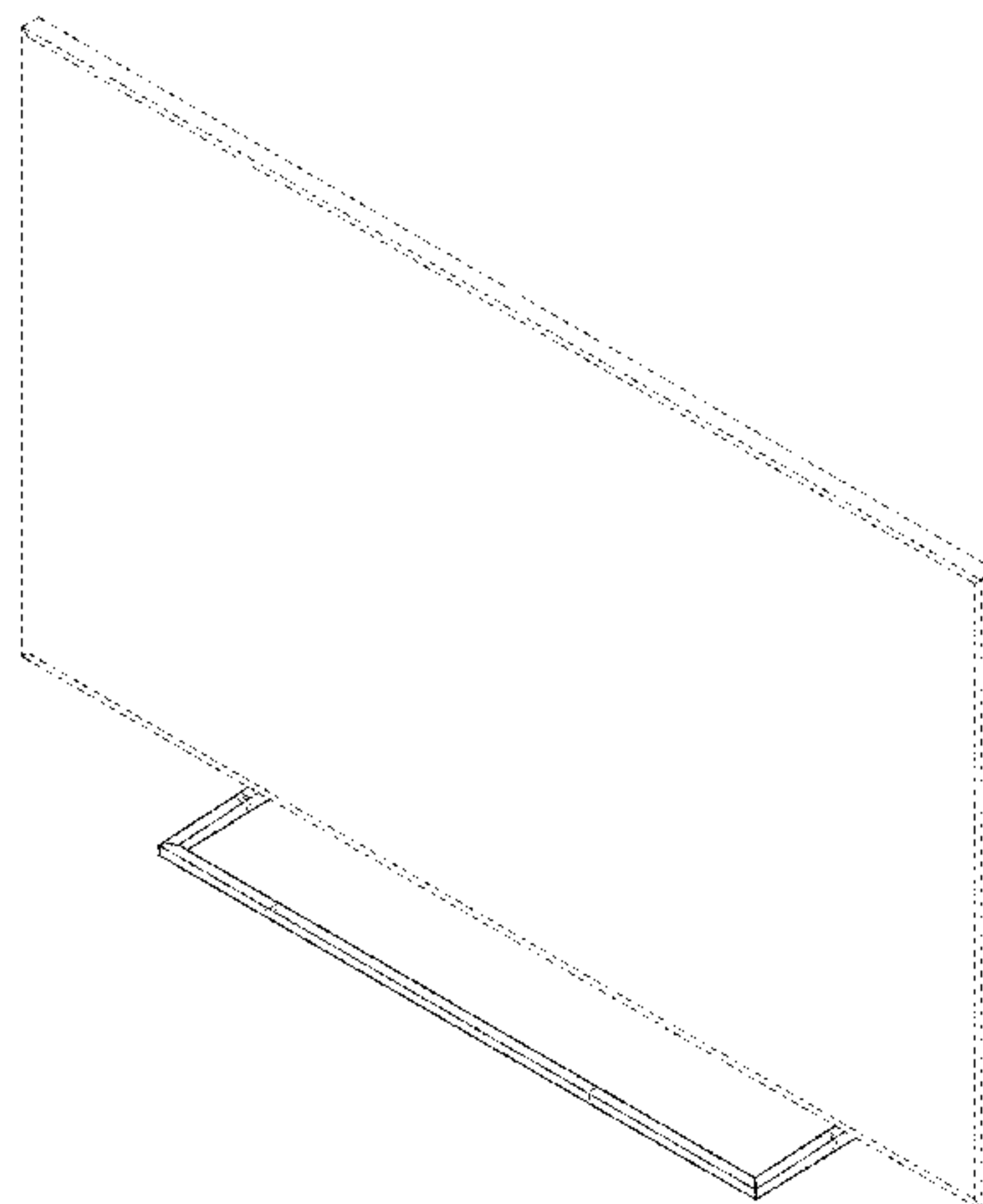


FIG. 1

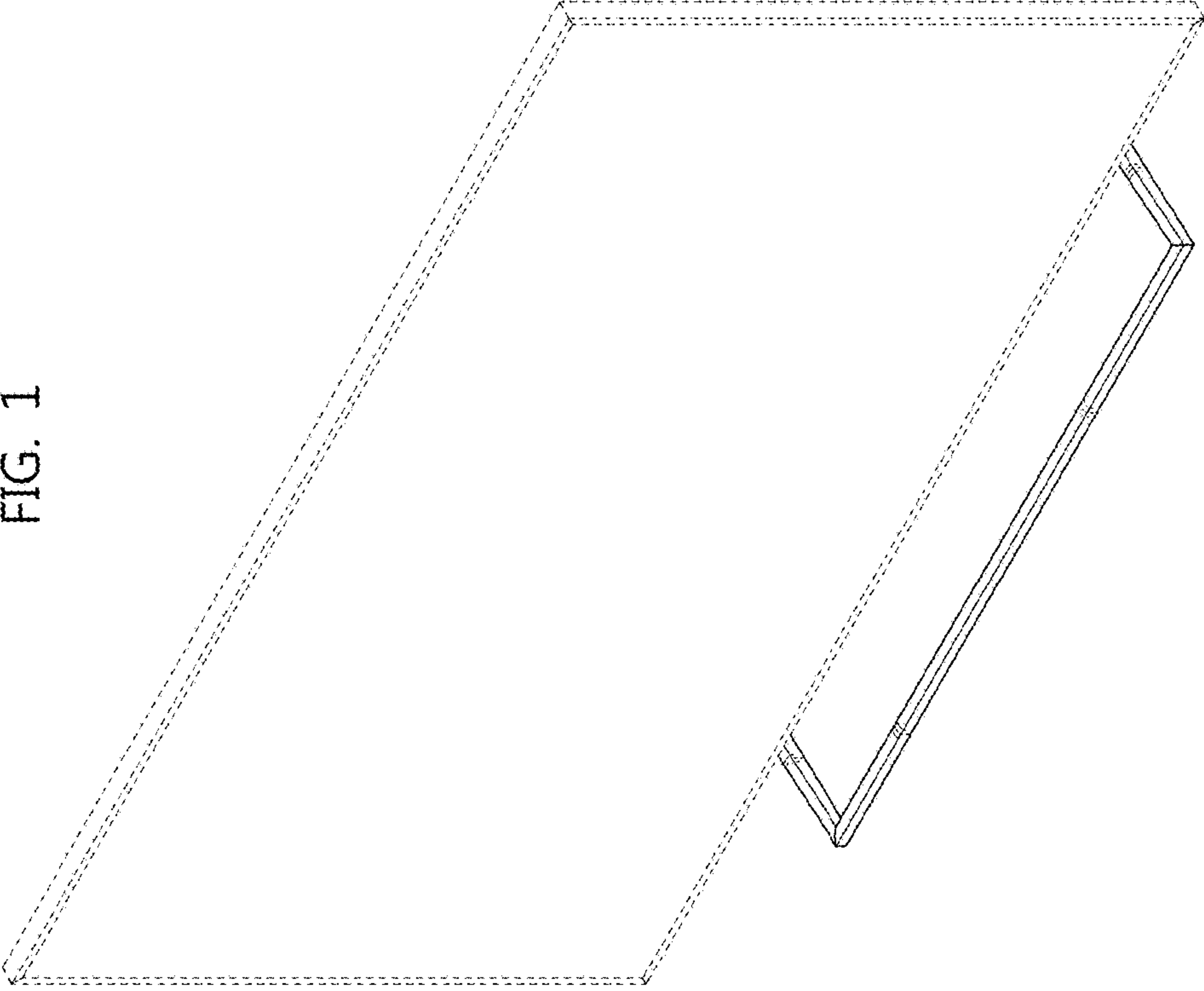


FIG. 2

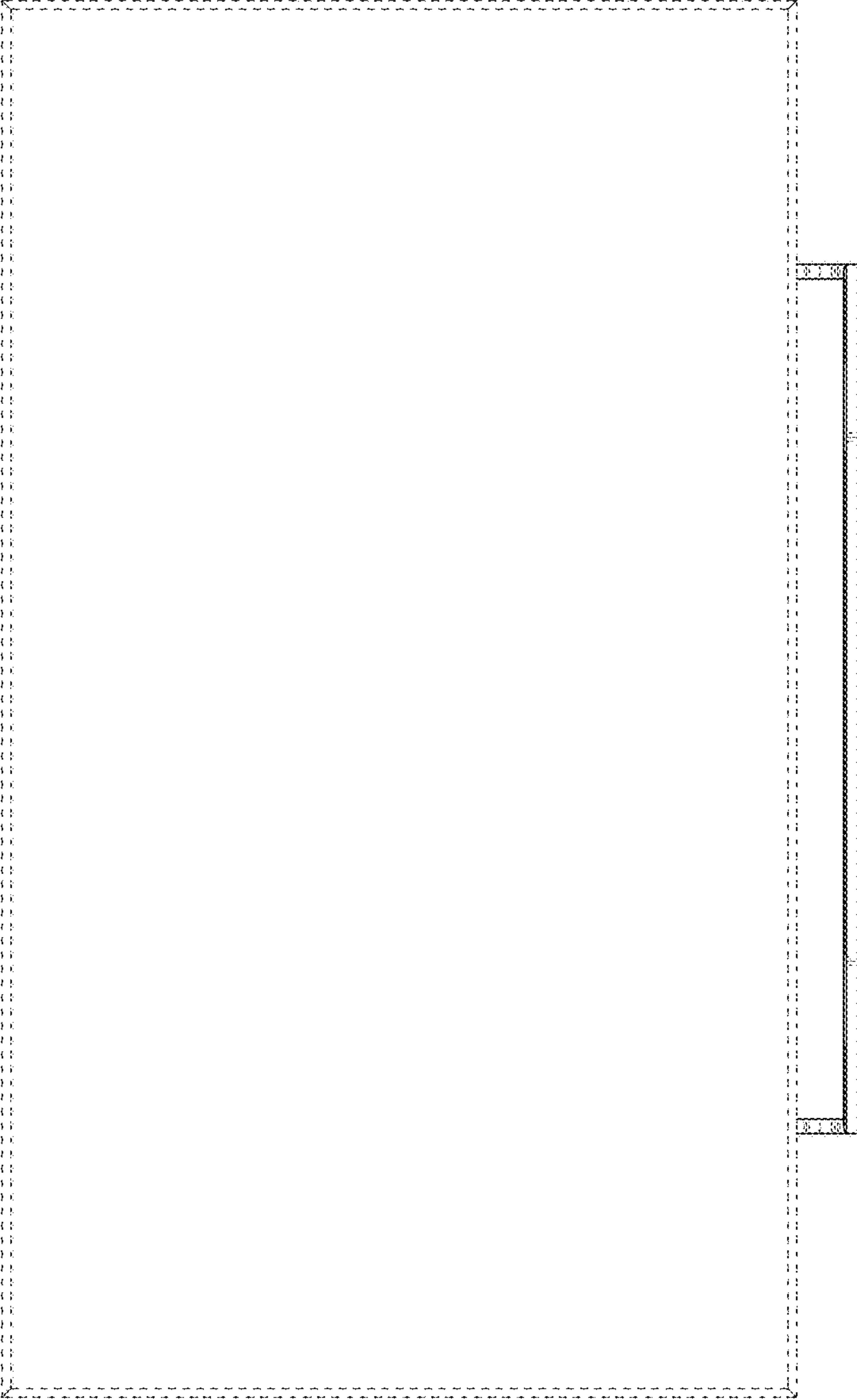


FIG. 3

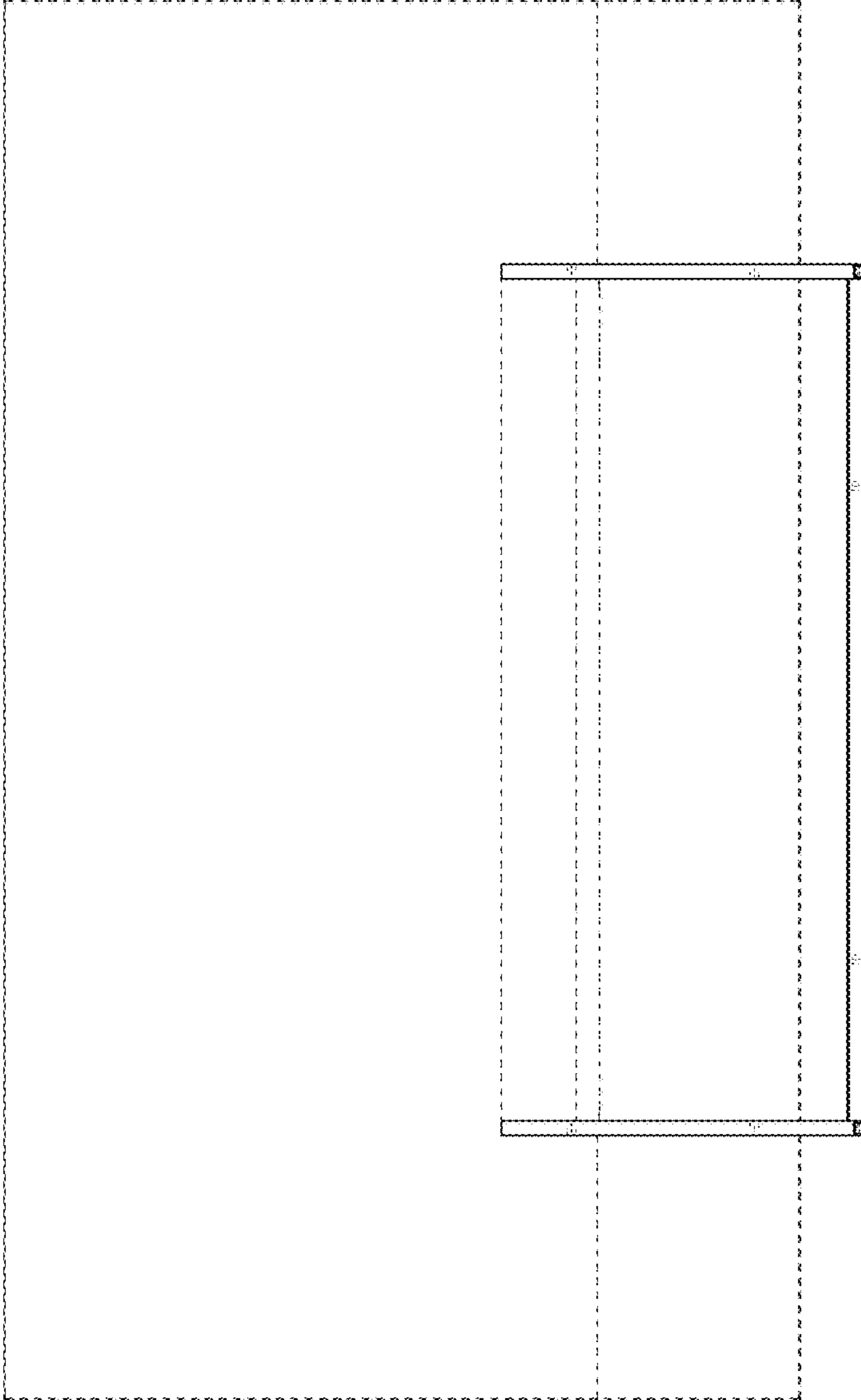


FIG. 4

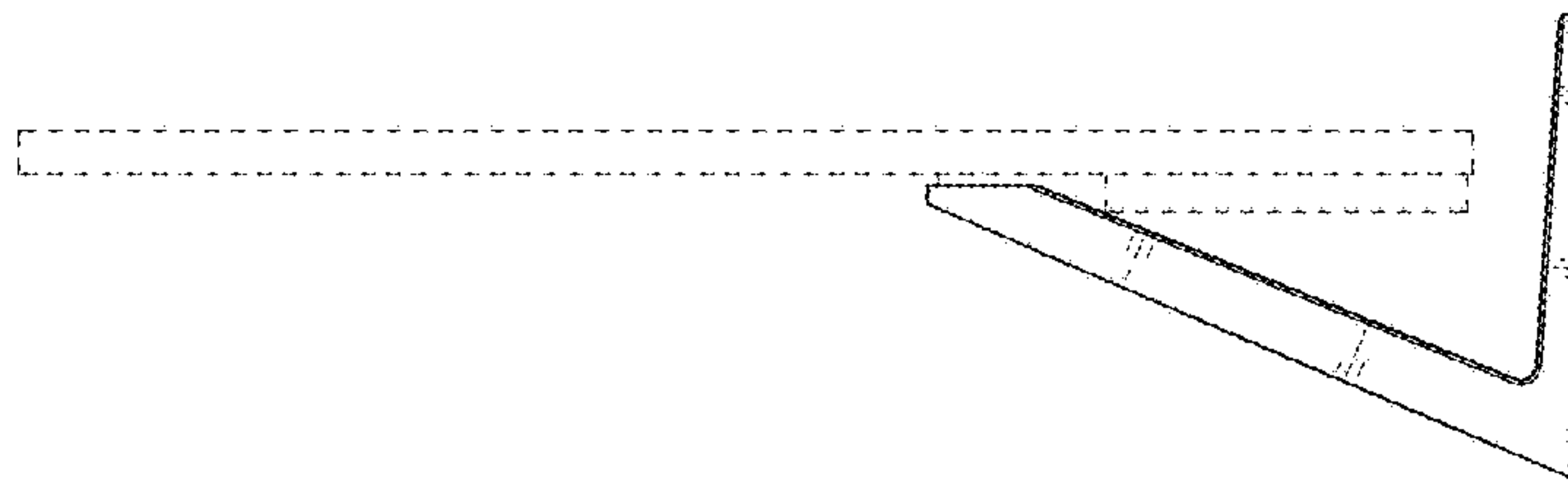


FIG. 5

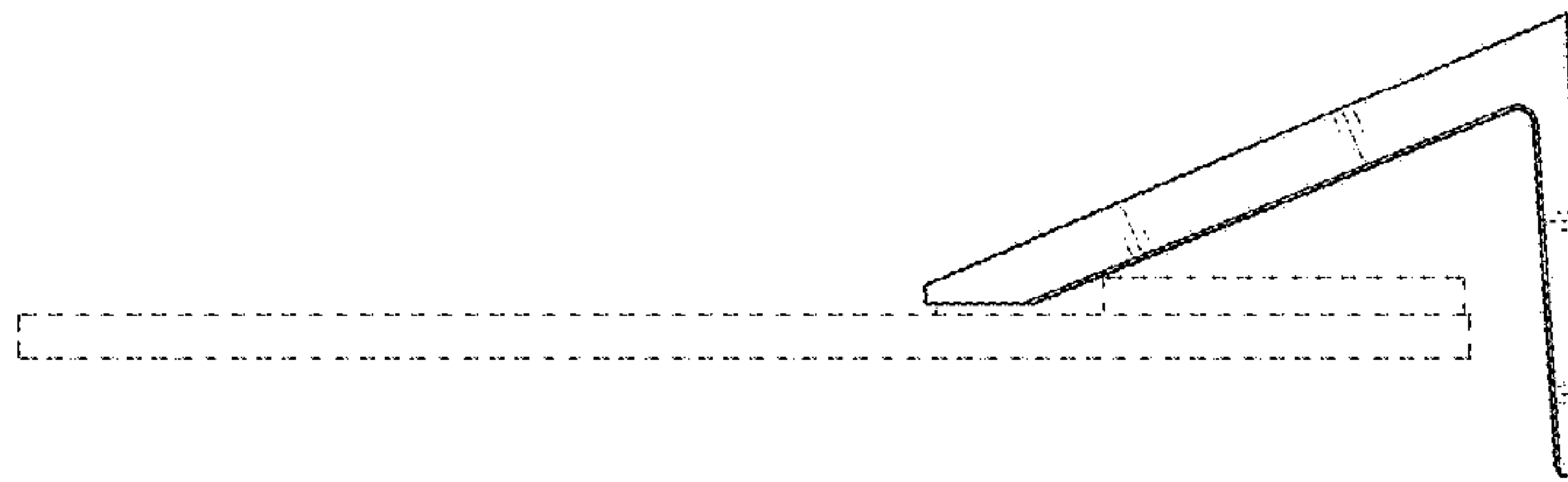


FIG. 6

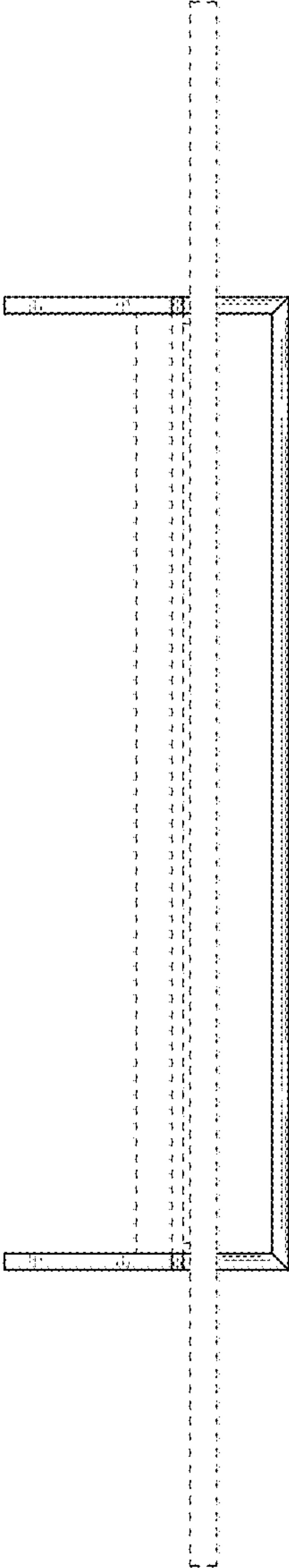


FIG. 7

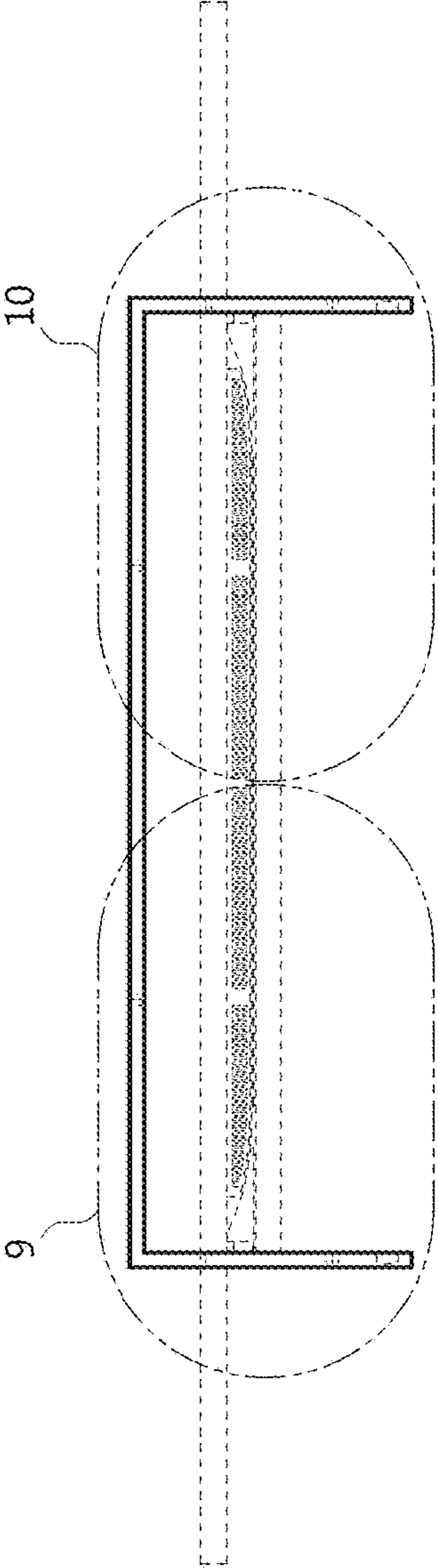




FIG. 8

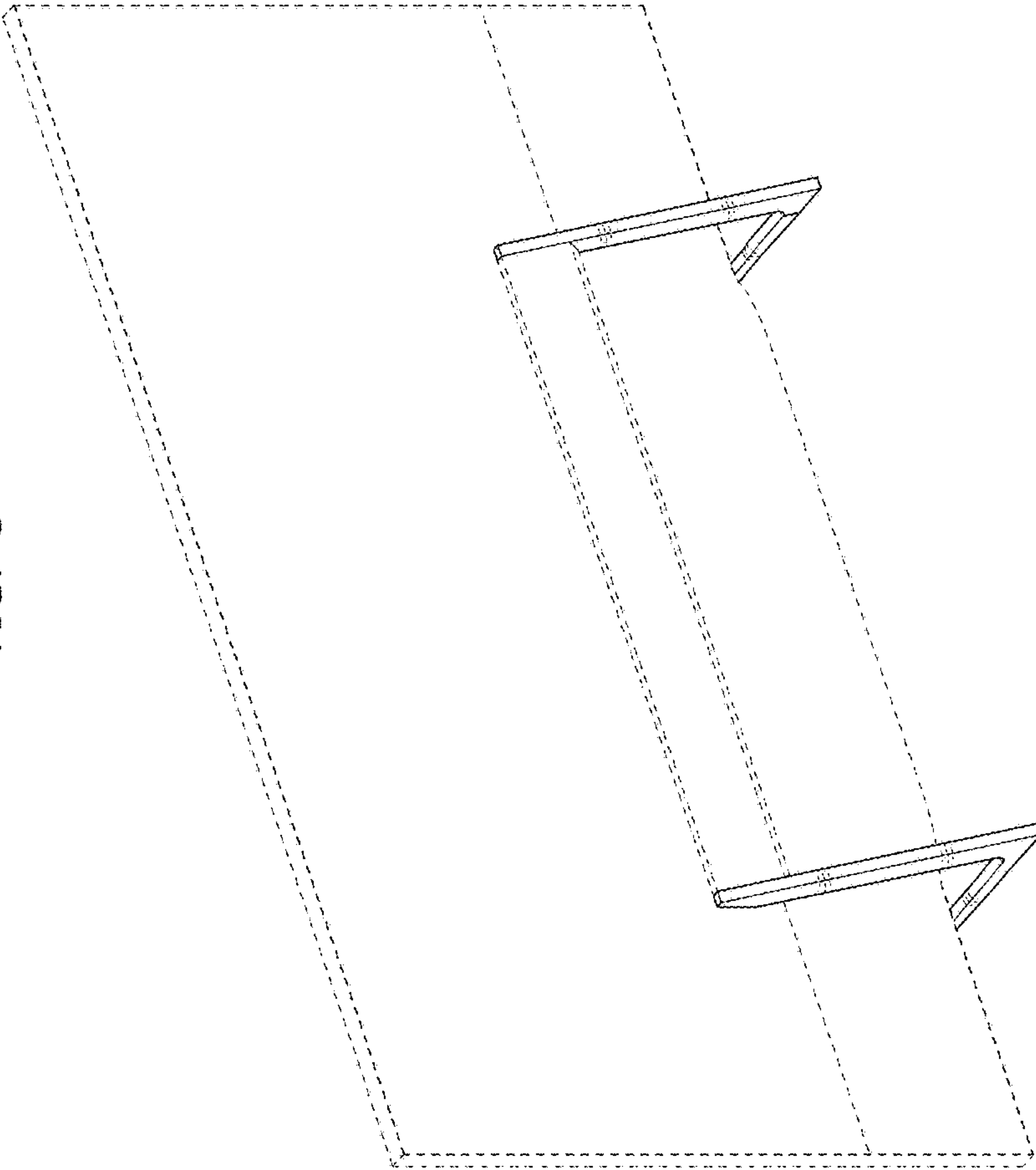




FIG. 10

