



US00D865728S

(12) **United States Design Patent**
Kim

(10) **Patent No.:** **US D865,728 S**
(45) **Date of Patent:** **** Nov. 5, 2019**

- (54) **TELEVISION RECEIVER**
- (71) Applicant: **LG DISPLAY CO., LTD.**, Seoul (KR)
- (72) Inventor: **InYoung Kim**, Paju-si (KR)
- (73) Assignee: **LG DISPLAY CO., LTD.**, Seoul (KR)
- (**) Term: **15 Years**
- (21) Appl. No.: **29/644,044**
- (22) Filed: **Apr. 13, 2018**

(30) **Foreign Application Priority Data**

- Oct. 18, 2017 (KR) 30-2017-0048388
- (51) **LOC (12) Cl.** **14-03**
- (52) **U.S. Cl.**
USPC **D14/239**; D14/126
- (58) **Field of Classification Search**
USPC D14/125-134, 239, 371, 136, 374-377,
D14/440, 450, 448, 336, 342, 159;
312/7.2; 348/836, 838, 180, 184, 325,
348/739; 248/917-924, 465; 345/104,
345/133, 156, 168, 87, 173; D21/329,
D21/515, 577, 622, 333, 433, 448, 452,
D21/450, 331, 505; D10/15, 26;
446/484, 175, 356; D6/477, 479, 300;
D24/185; D34/14
CPC ... G06F 1/1601; G06F 1/1643; H05K 5/0004;
H05K 5/0017; H05K 5/02; H05K 5/0217
See application file for complete search history.

(56) **References Cited**

U.S. PATENT DOCUMENTS

- 6,719,260 B1 * 4/2004 Hart A47G 1/168
248/466

- 7,287,729 B2 * 10/2007 Jung F16M 11/10
248/122.1
- D763,235 S * 8/2016 Brown D14/239
- 9,642,480 B1 * 5/2017 Tanger A47G 1/17

* cited by examiner

Primary Examiner — Randall H Gholson

(74) *Attorney, Agent, or Firm* — Birch, Stewart, Kolasch & Birch, LLP

(57) **CLAIM**

The ornamental design for a television receiver, as shown and described.

DESCRIPTION

FIG. 1 is a front, right, top perspective view of the television receiver showing my new design;
 FIG. 2 is a front view thereof;
 FIG. 3 is a rear view thereof;
 FIG. 4 is a left side view thereof;
 FIG. 5 is a right side view thereof;
 FIG. 6 is a top plan view thereof;
 FIG. 7 is a bottom view thereof;
 FIG. 8 is an enlarged view of a portion labeled "A" in FIG. 3;
 FIG. 9 is an enlarged view of a portion labeled "B" in FIG. 4; and,
 FIG. 10 is exploded perspective view at the rear side thereof. The dot-dash broken line showing in FIGS. 3, 4, 8 and 9, as well as the letter "A" in FIG. 3 and the letter "B" in FIG. 4, and the associated lead lines, are for the purpose of illustrating partially enlarged views only and form no part of the claimed design. The dot-dash broken line showing in FIG. 10 is for the purpose of illustrating the exploded view only and forms no part of the claimed design. The evenly-spaced broken line showing in FIGS. 1-10 is for the purpose of illustrating portions of the television receiver and forms no part of the claimed design.

1 Claim, 5 Drawing Sheets

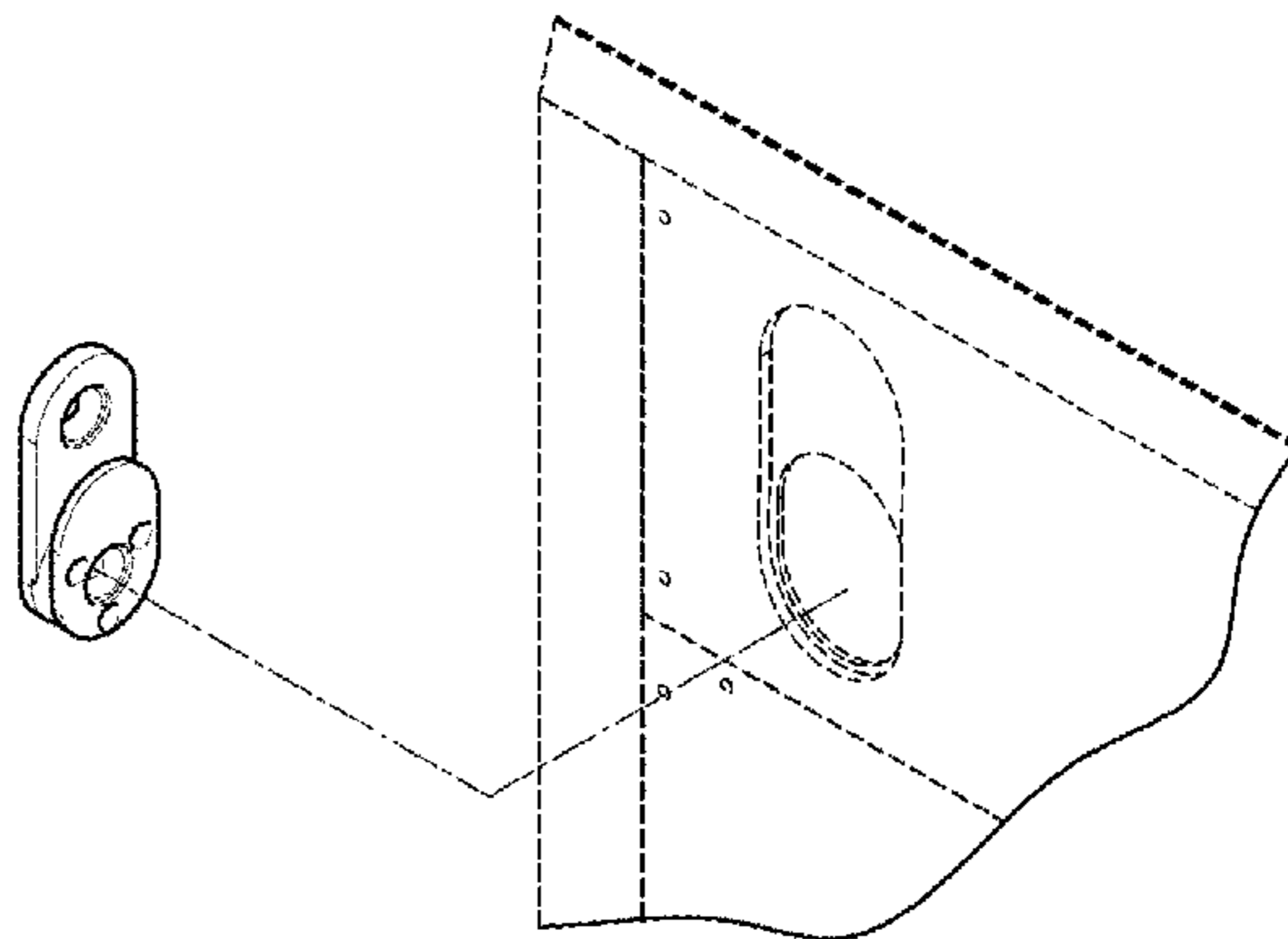
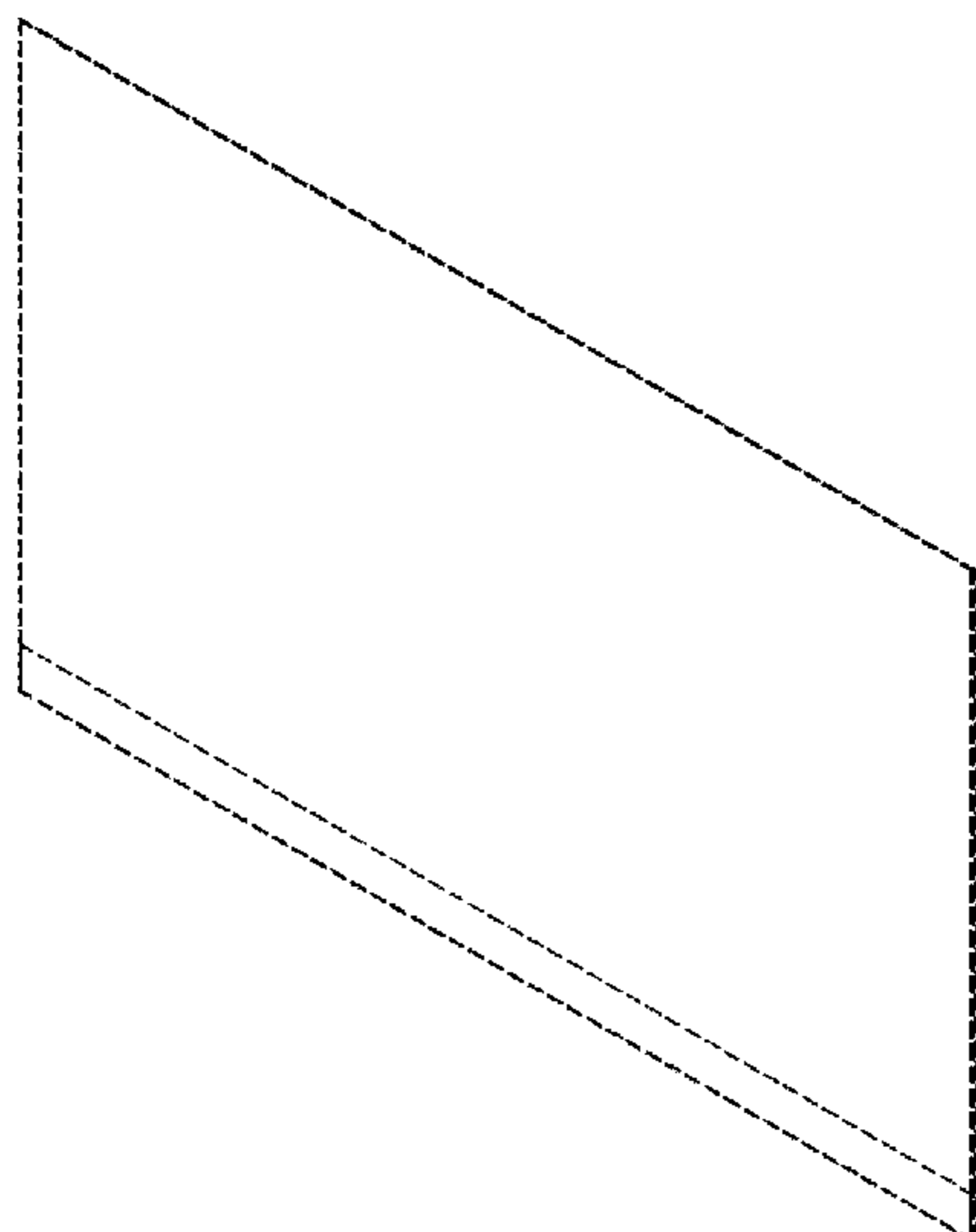


FIG. 1

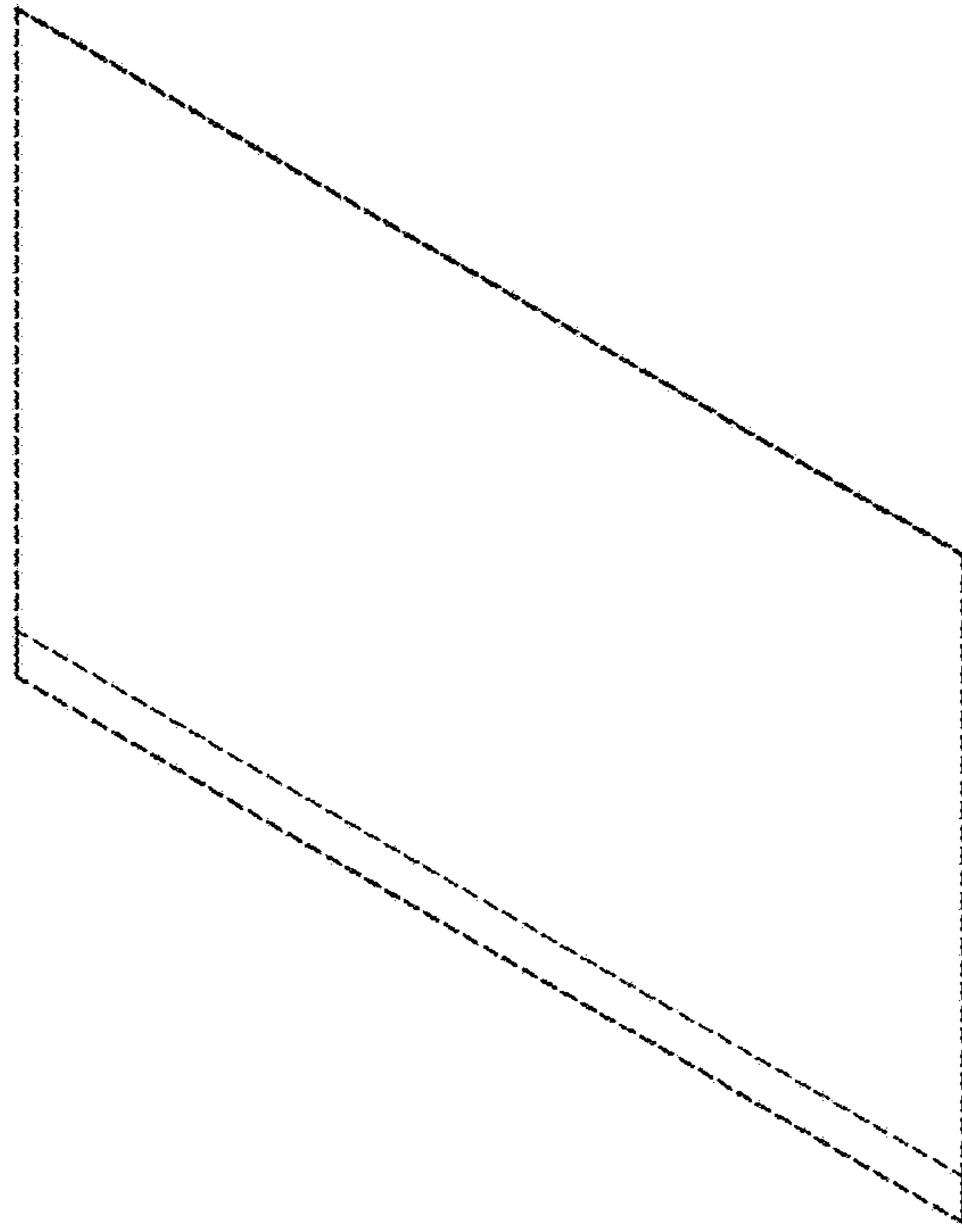


FIG. 2



FIG. 3

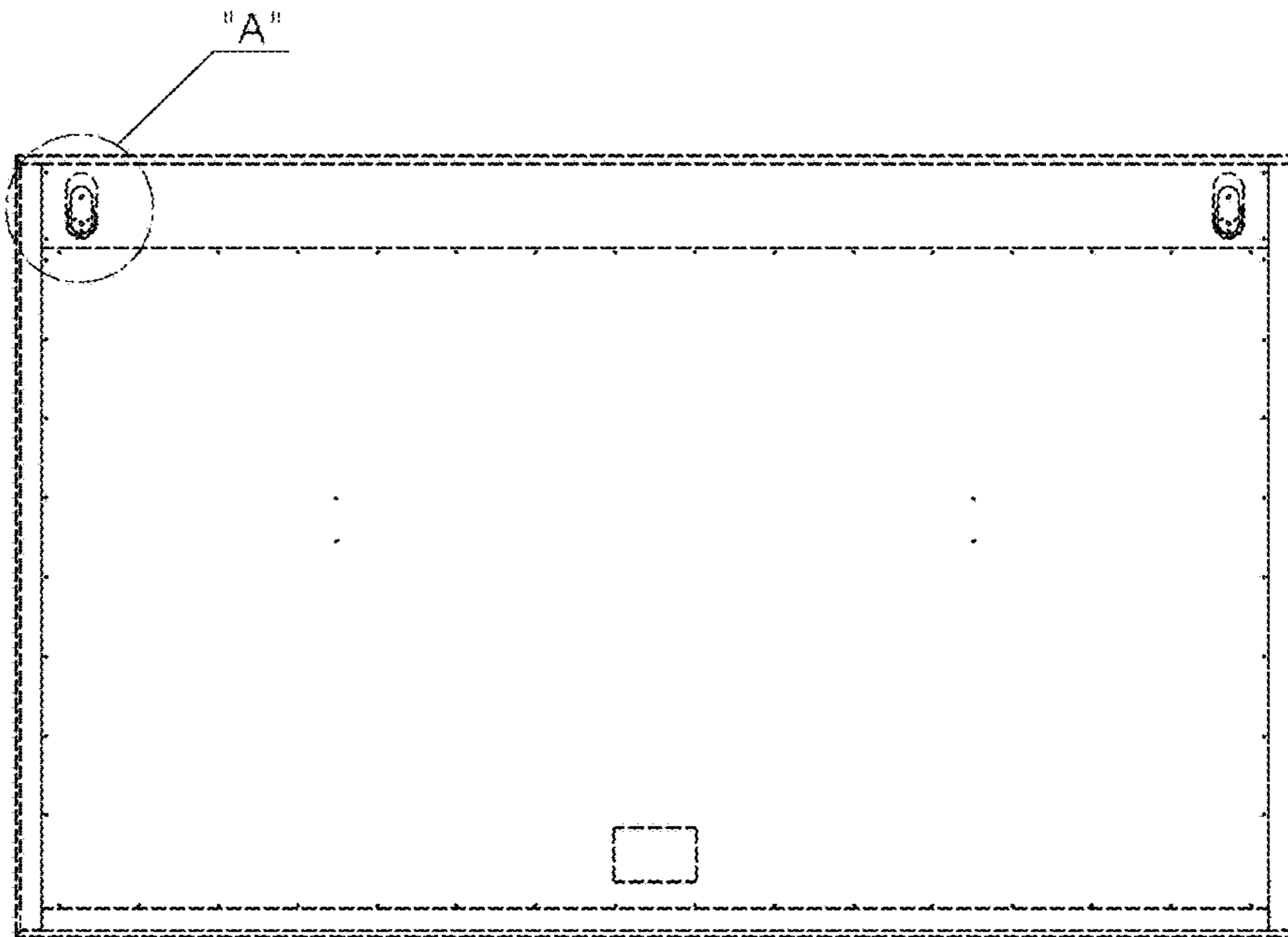


FIG. 4

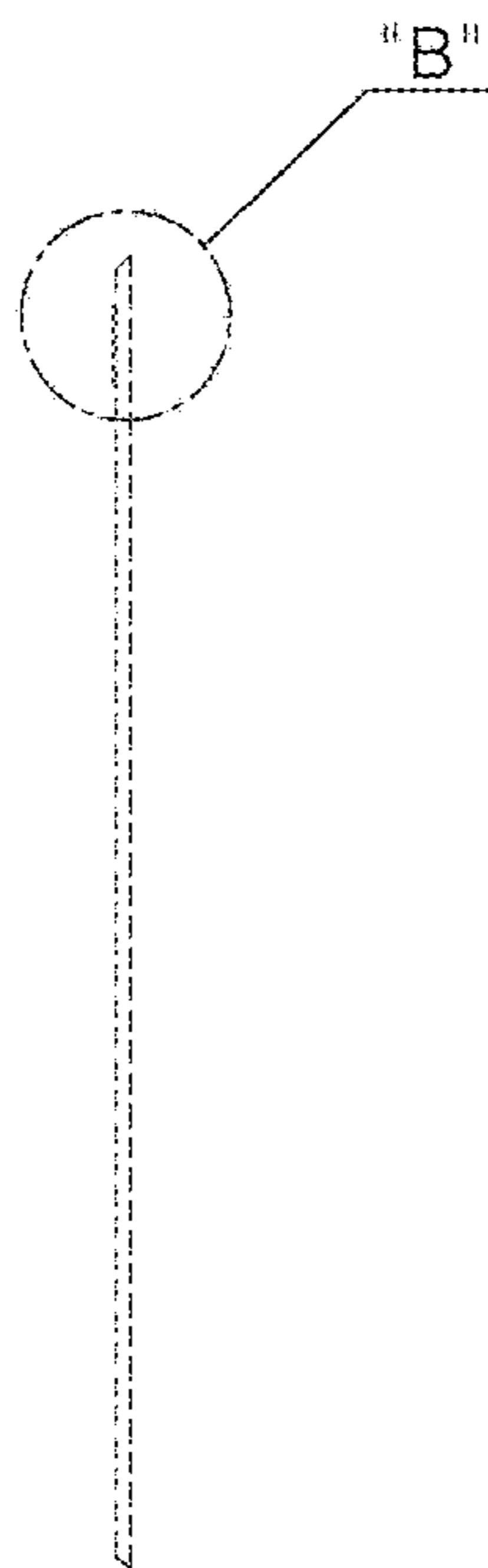


FIG. 5

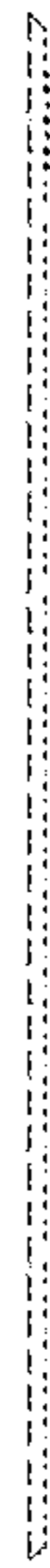


FIG. 6

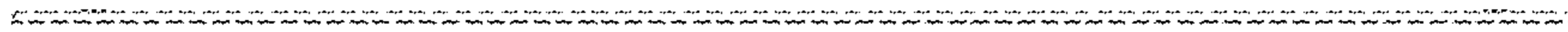


FIG. 7

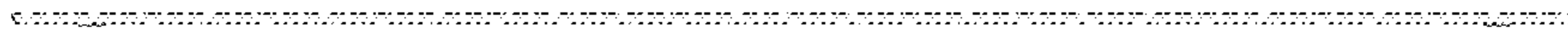


FIG. 8

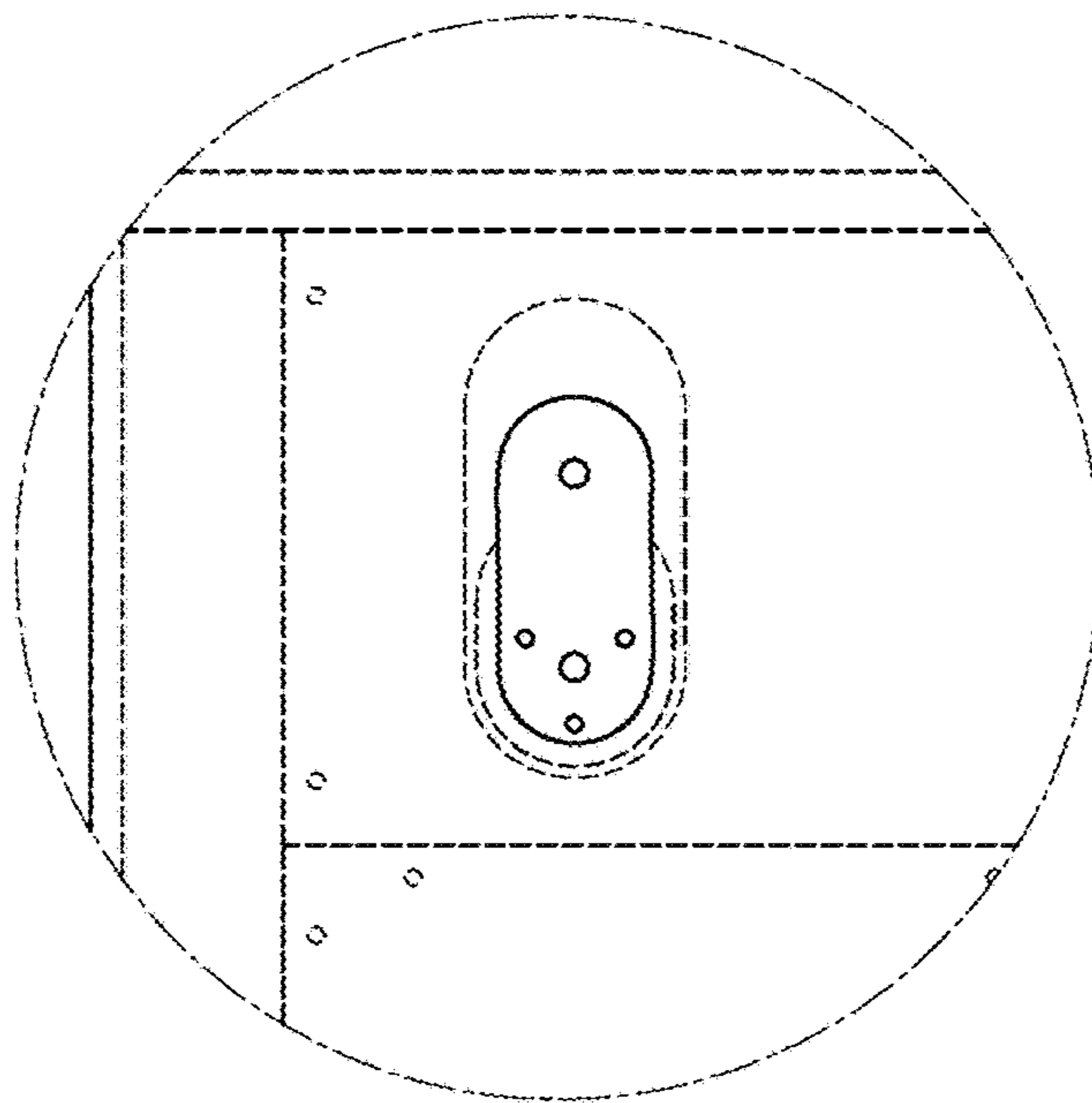


FIG. 9

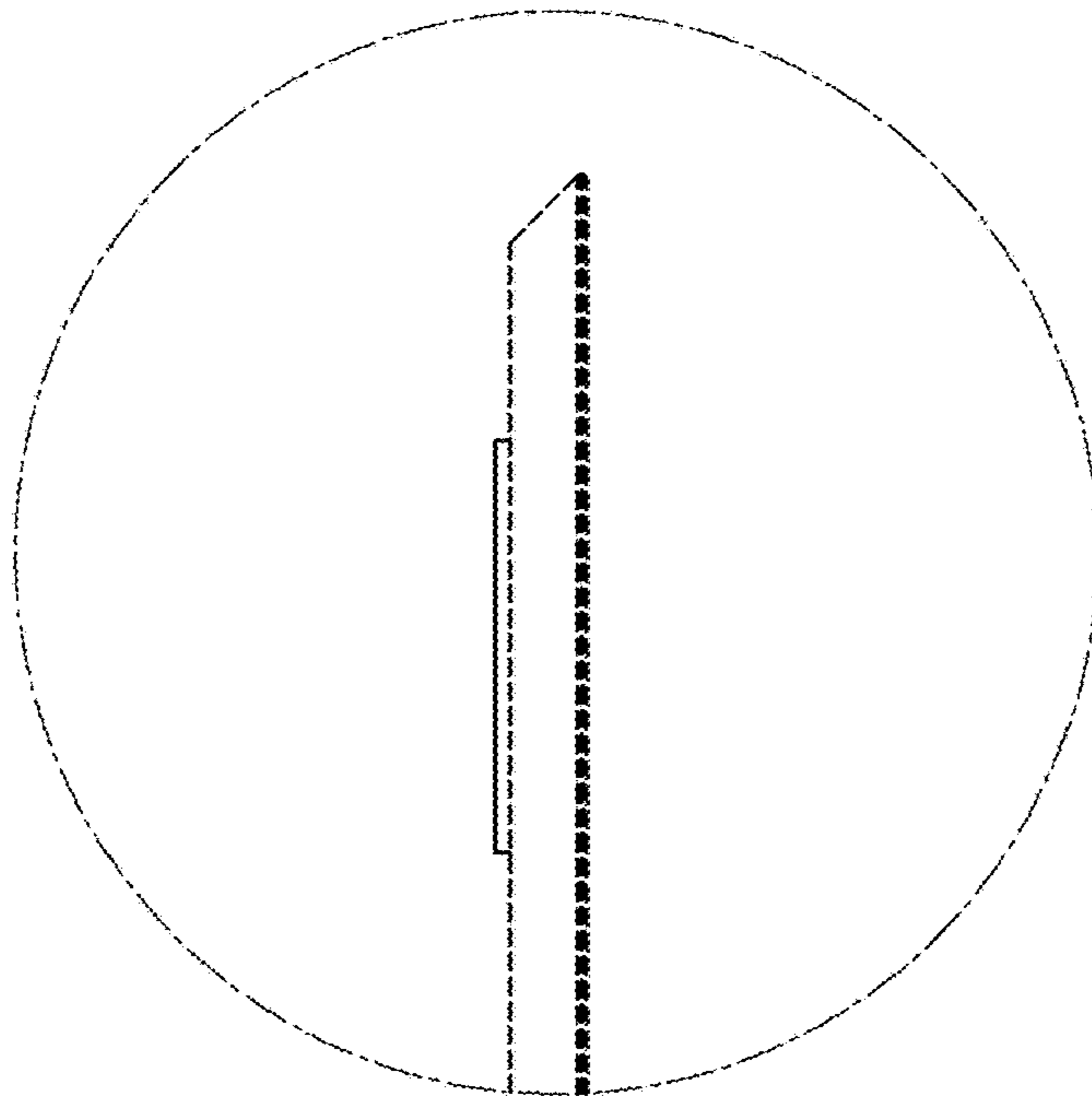


FIG. 10

