



US00D865727S

(12) **United States Design Patent**  
**Wengreen**

(10) **Patent No.:** **US D865,727 S**

(45) **Date of Patent:** **\*\* Nov. 5, 2019**

(54) **MOUNT FOR ELECTRONIC DEVICES**

(71) Applicant: **Innovelis, Inc.**, Sammamish, WA (US)

(72) Inventor: **Eric John Wengreen**, Sammamish, WA (US)

(73) Assignee: **Innovelis, Inc.**, Sammamish, WA (US)

(\*\*) Term: **15 Years**

(21) Appl. No.: **29/654,151**

(22) Filed: **Jun. 21, 2018**

(51) **LOC (12) Cl.** ..... **14-03**

(52) **U.S. Cl.**  
USPC ..... **D14/238.1**

(58) **Field of Classification Search**  
USPC ..... D14/238.1, 238, 447, 251, 253, 217;  
D13/154, 156, 139.6, 137.1, 138.1, 137.4,  
D13/139.8, 173, 155, 133; D8/349, 373,  
D8/396; D3/218, 215; 174/66, 481;  
403/353, 375; 220/241, 242; 24/665,  
24/633; 248/231.81, 483; 411/112, 104,  
411/913, 368; 224/483, 553; 211/69.8,  
211/69.9

CPC ..... H01R 13/73; H01R 12/00; H01R 9/09;  
H05K 5/0204; H05K 5/0247; H05K 5/02;  
H05K 7/20; A47G 29/00; A47G 1/17;  
B06R 7/06; A45F 5/00; F21V 21/00;  
H02G 11/02; H02G 3/14

See application file for complete search history.

(56) **References Cited**

**U.S. PATENT DOCUMENTS**

986,158 A \* 3/1911 Florsheim ..... 453/50  
1,306,100 A \* 6/1919 Chadwick ..... F16B 43/00  
411/368  
D58,019 S \* 5/1921 Collier ..... D16/135  
1,573,239 A \* 2/1926 Gilliland ..... B65D 81/18  
220/212

1,618,573 A 2/1927 Cole  
1,820,323 A \* 8/1931 Powell ..... F16B 21/06  
24/633  
1,874,813 A \* 8/1932 Saunders ..... B60K 37/00  
248/115  
2,397,688 A \* 4/1946 Osinski ..... H02B 1/48  
174/53  
D148,816 S \* 2/1948 Pemstein ..... D16/135  
(Continued)

**OTHER PUBLICATIONS**

Deluxe Mount by Dot Genie—Website (downloaded on Oct. 17, 2018 from <https://www.amazon.com/Deluxe-Mount-Dot-Genie-Simplest/dp/B077T42FZY>). Listed on Amazon.com at least as early as Nov. 29, 2017.

(Continued)

*Primary Examiner* — Paula Allen Greene

(57) **CLAIM**

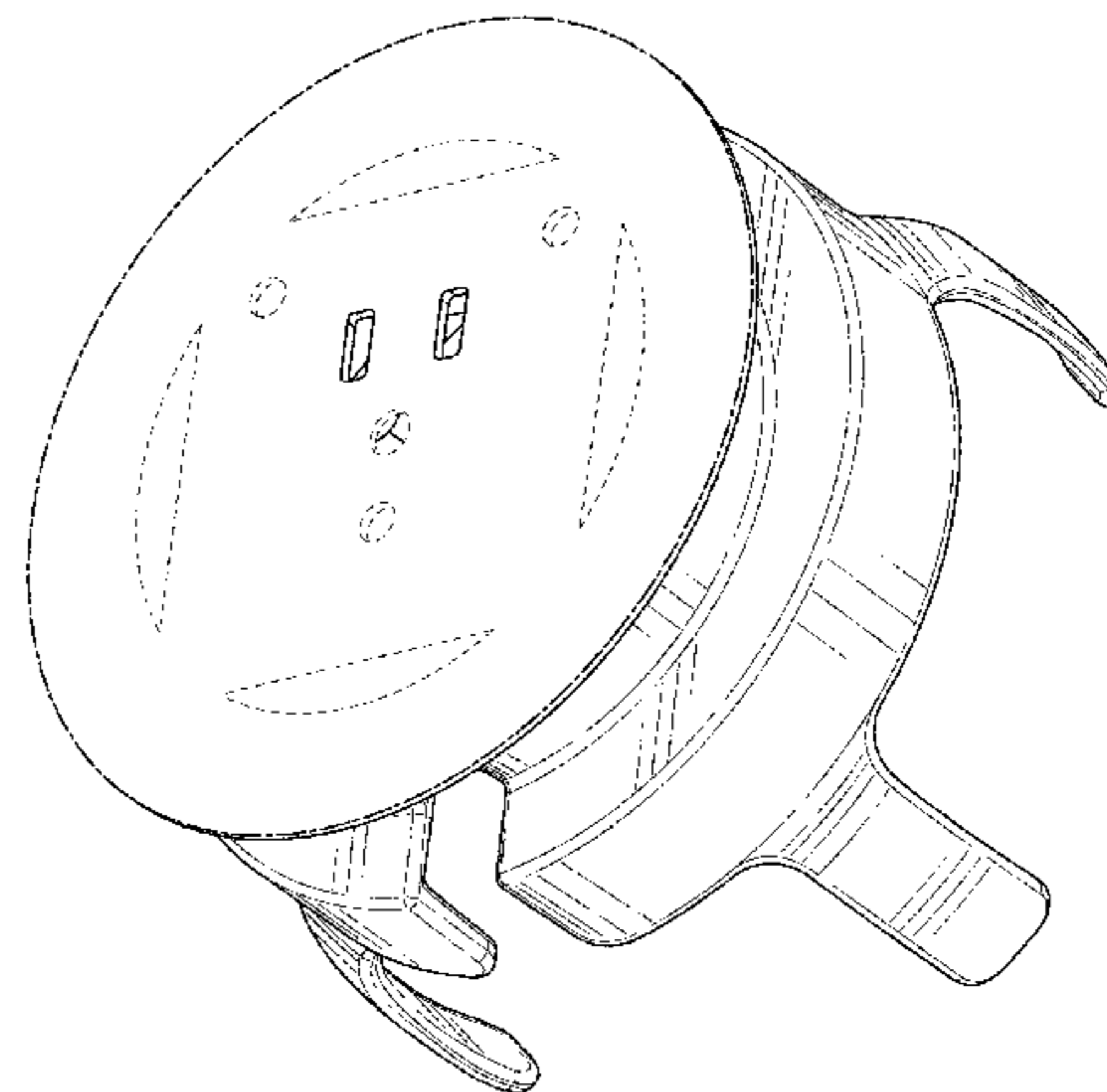
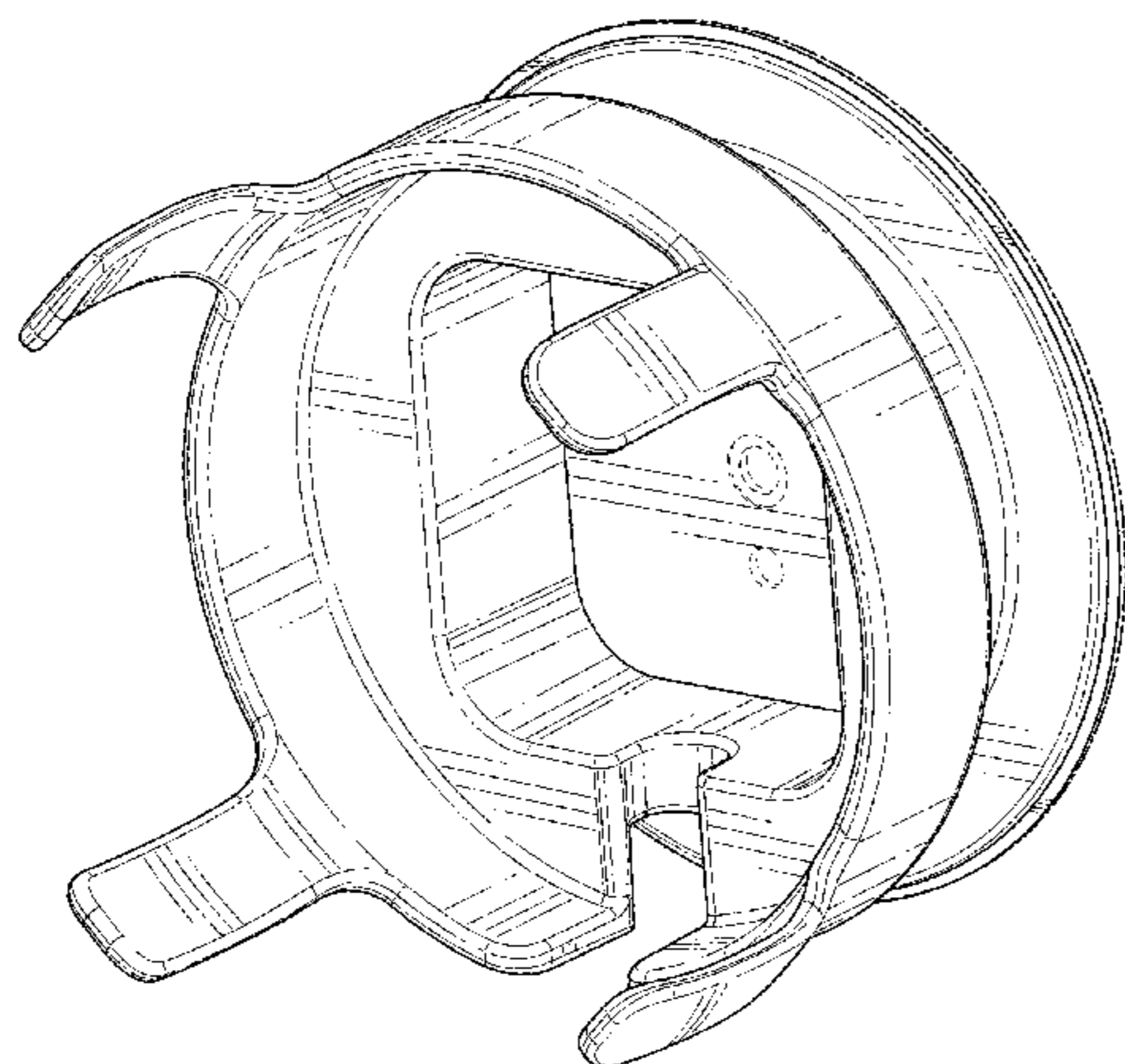
The ornamental design for a mount for electronic devices, as shown and described.

**DESCRIPTION**

FIG. 1 is a front, top, and first side perspective view of a mount for electronic devices embodying the new design; FIG. 2 is a back, bottom, and second side perspective view thereof; FIG. 3 is a bottom view thereof; FIG. 4 is a top view thereof; FIG. 5 is a second side view thereof; FIG. 6 is a first side view thereof; FIG. 7 is a front view thereof; and, FIG. 8 is a back view thereof.

The uniform repeating broken lines depict portions of a mount for electronic devices in which the claimed design is embodied and form no part of the claimed design. The long dash and short dash uniform repeating broken line depicts a boundary of the claim.

**1 Claim, 8 Drawing Sheets**



(56)

**References Cited**

U.S. PATENT DOCUMENTS

<p>2,438,143 A * 3/1948 Brown ..... H01R 13/72 191/12 R</p> <p>2,448,339 A * 8/1948 Williams ..... H01R 13/443 200/51.02</p> <p>2,584,646 A 2/1952 Wagstaff</p> <p>2,633,174 A * 3/1953 Poupitch ..... F16B 37/044 411/112</p> <p>2,727,552 A * 12/1955 Chvesta ..... F16B 37/044 411/112</p> <p>2,943,138 A * 6/1960 Reager ..... H01R 13/72 174/66</p> <p>3,091,378 A 5/1963 O'Dwyer</p> <p>D196,542 S 10/1963 Zelnick</p> <p>3,176,950 A 4/1965 Hittesdorf</p> <p>3,279,009 A 10/1966 Teasdale</p> <p>3,294,298 A 12/1966 Danielson</p> <p>3,477,679 A 11/1969 Lovitz</p> <p>3,689,868 A * 9/1972 Snyder ..... H01R 13/72 439/501</p> <p>3,745,664 A * 7/1973 Altseimer ..... H02G 3/14 33/528</p> <p>3,924,914 A * 12/1975 Banner ..... G01R 19/14 439/105</p> <p>3,990,617 A 11/1976 Carter</p> <p>D242,766 S 12/1976 Neece</p> <p>4,067,532 A 1/1978 Viteretto</p> <p>4,139,727 A * 2/1979 Kuballa ..... H01R 12/772 174/261</p> <p>D251,781 S * 5/1979 Hutton ..... D13/133</p> <p>4,158,450 A 6/1979 Suzuki</p> <p>D260,879 S * 9/1981 Avramovich ..... D13/146</p> <p>4,410,298 A * 10/1983 Kowalski ..... F16B 37/046 411/104</p> <p>4,467,244 A 8/1984 Dickie</p> <p>4,519,656 A 5/1985 Raz</p> <p>D280,466 S 9/1985 Seltzer</p> <p>D282,034 S 1/1986 Janke</p> <p>4,562,620 A * 1/1986 Oliver, Jr. .... A44B 11/005 224/163</p> <p>4,583,798 A * 4/1986 Blazowich ..... H01R 39/64 439/24</p> <p>4,602,761 A 7/1986 Carter</p> <p>D287,365 S 12/1986 Judd</p> <p>4,679,873 A * 7/1987 Brackett, Jr. .... H01R 13/6397 439/134</p> <p>4,697,780 A 10/1987 Wenkman</p> <p>4,746,042 A 5/1988 King</p> <p>4,771,927 A 9/1988 Ventura</p> <p>4,815,683 A 3/1989 Ferrante</p> <p>4,825,590 A 5/1989 Cullinane</p> <p>4,826,115 A 5/1989 Novitski</p> <p>4,840,773 A 6/1989 Wade</p> <p>4,852,843 A 8/1989 Chandler</p> <p>4,974,764 A 12/1990 Cantwell</p> <p>D317,157 S 5/1991 Jondelius</p> <p>5,038,985 A 8/1991 Chapin</p> <p>D323,085 S 1/1992 Konkel</p> <p>5,092,395 A 3/1992 Amidzich</p> <p>5,144,821 A * 9/1992 Ernesti ..... E05B 67/006 292/DIG. 69</p> <p>5,227,582 A 7/1993 Velasco</p> <p>5,273,690 A 12/1993 McDowell</p> <p>5,297,318 A 3/1994 Adolphson</p> <p>D351,341 S 10/1994 Hung</p> <p>5,385,282 A 1/1995 Chen</p> <p>5,400,990 A 3/1995 Frankel</p> <p>D359,616 S 6/1995 Ishibashi</p> <p>D361,335 S 8/1995 Rudkiewicz</p> <p>D361,462 S 8/1995 Newham</p> <p>D362,663 S 9/1995 Nguyen</p> <p>D369,465 S 5/1996 Scheid</p> <p>5,535,093 A 7/1996 Noguchi</p> <p>5,555,491 A 9/1996 Tao</p> <p>D375,292 S * 11/1996 D'Amato ..... D13/137.1</p>	<p>D376,531 S 12/1996 Polley</p> <p>D376,585 S 12/1996 Wathen</p> <p>D376,787 S 12/1996 Calfee</p> <p>5,593,124 A * 1/1997 Wang ..... B60R 11/00 224/483</p> <p>5,600,870 A * 2/1997 Fields ..... A61F 9/025 16/342</p> <p>5,619,395 A 4/1997 McBride</p> <p>5,619,774 A 4/1997 Perry</p> <p>D385,287 S 10/1997 Westcott</p> <p>D388,107 S 12/1997 Huckins</p> <p>5,700,150 A * 12/1997 Morin ..... H01R 13/72 191/12.4</p> <p>D390,849 S 2/1998 Richter</p> <p>5,730,342 A * 3/1998 Tien ..... A45F 5/02 224/197</p> <p>5,740,995 A * 4/1998 Richter ..... B60N 3/101 248/207</p> <p>D395,641 S 6/1998 Gaete</p> <p>5,850,998 A 12/1998 Parsey</p> <p>D407,408 S 3/1999 Hoff</p> <p>5,882,210 A * 3/1999 Embo ..... H01R 24/50 439/63</p> <p>D409,079 S 5/1999 Sobczynski</p> <p>5,899,371 A 5/1999 Weliver</p> <p>D411,542 S 6/1999 Richter</p> <p>5,914,707 A 6/1999 Kono</p> <p>5,961,083 A 10/1999 Hartman</p> <p>5,979,724 A 11/1999 Loewenthal</p> <p>D420,149 S 2/2000 Hersh</p> <p>6,039,173 A 3/2000 Crow</p> <p>D425,353 S 5/2000 Foy</p> <p>D426,041 S 5/2000 Boghossian</p> <p>6,073,901 A 6/2000 Richter</p> <p>6,077,109 A * 6/2000 Prazoff ..... H01R 13/72 191/12.4</p> <p>6,083,016 A * 7/2000 Waynick, Sr. .... H01R 13/60 439/135</p> <p>6,102,660 A 8/2000 Lee</p> <p>6,105,923 A 8/2000 Robertson</p> <p>D431,250 S 9/2000 Richter</p> <p>6,118,662 A * 9/2000 Hutchison ..... H05K 7/20445 165/80.1</p> <p>6,163,997 A 12/2000 Deralas</p> <p>6,193,546 B1 2/2001 Sadler</p> <p>D443,493 S 6/2001 Skeem</p> <p>6,275,882 B1 8/2001 Cheever</p> <p>6,275,885 B1 8/2001 Chin</p> <p>6,336,615 B1 1/2002 Jeon</p> <p>D456,024 S 4/2002 Richter</p> <p>D456,413 S 4/2002 Malson</p> <p>6,445,290 B1 9/2002 Fingal</p> <p>6,474,995 B1 * 11/2002 Wu ..... H01R 24/50 439/63</p> <p>6,485,144 B1 11/2002 Liao</p> <p>D471,547 S 3/2003 Ruohonen</p> <p>6,554,527 B1 * 4/2003 O'Donnell ..... F16M 13/02 403/353</p> <p>6,560,983 B1 5/2003 Schimmeyer</p> <p>D475,995 S 6/2003 Hsieh</p> <p>6,657,868 B1 12/2003 Hsue</p> <p>6,691,374 B2 2/2004 Coyne</p> <p>6,884,125 B2 * 4/2005 Chen ..... H01R 13/4532 439/173</p> <p>6,888,940 B1 * 5/2005 Deppen ..... B60R 11/0241 379/446</p> <p>6,912,125 B2 6/2005 Weng</p> <p>D508,605 S 8/2005 Hwang</p> <p>6,939,641 B2 9/2005 Kincaid</p> <p>6,983,126 B1 1/2006 Saalman</p> <p>D518,704 S 4/2006 Miao</p> <p>D521,455 S * 5/2006 Radza ..... D13/154</p> <p>7,047,601 B1 5/2006 Vernon-Woods</p> <p>7,067,737 B2 6/2006 Mallen</p> <p>D524,756 S * 7/2006 Radza ..... D13/154</p> <p>7,079,384 B2 7/2006 Wang</p> <p>7,080,764 B2 7/2006 McNicholas</p> <p>7,113,218 B2 9/2006 Battles</p>
---	---

(56)

References Cited

U.S. PATENT DOCUMENTS

D529,713 S	10/2006	Guyot		D690,707 S	10/2013	Minn	
D529,905 S	10/2006	Richter		D691,988 S *	10/2013	Warner	D14/238.1
D530,713 S	10/2006	Richter		D692,013 S	10/2013	Crysell	
D530,717 S	10/2006	Mori		8,544,805 B2	10/2013	Virgin	
D533,175 S	12/2006	Richter		D695,298 S	12/2013	Han	
7,145,603 B2	12/2006	Whitby		D695,748 S	12/2013	Morris	
D535,826 S	1/2007	Toghanian		D696,259 S *	12/2013	Howarth	D14/447
D536,239 S	2/2007	Tallman		D696,672 S	12/2013	Brittain	
7,222,762 B2	5/2007	Rees		D697,919 S	1/2014	Gelsomini	
D545,343 S	6/2007	Braun		8,627,990 B2 *	1/2014	Nakajima	B62J 9/008 224/420
D547,863 S	7/2007	Heinsch		D700,832 S	3/2014	Ng	
D551,008 S	9/2007	Hidalgo		8,668,179 B2	3/2014	Corn	
D553,352 S	10/2007	Allen		D703,657 S *	4/2014	Carnevali	D14/253
D557,266 S	12/2007	Hughes		D705,229 S	5/2014	Wengreen	
D560,068 S *	1/2008	Dixon	A45F 5/02 D3/218	8,757,461 B2 *	6/2014	Zanetti	B60R 11/02 224/562
D560,411 S	1/2008	Chung		D709,065 S *	7/2014	Guyot	D14/253
D564,529 S	3/2008	Hughes		D710,340 S	8/2014	Wengreen	
D565,399 S	4/2008	Grey		D710,363 S	8/2014	Wengreen	
D566,590 S *	4/2008	Stevens	D10/74	D710,836 S	8/2014	Wengreen	
D568,889 S	5/2008	Hughes		D712,394 S	9/2014	Booth	
D569,226 S *	5/2008	Brewster	D8/346	D712,906 S	9/2014	Wengreen	
7,367,089 B2	5/2008	Cooke		D713,395 S	9/2014	Godycki	
D570,801 S	6/2008	Allen		D713,399 S	9/2014	Green	
D585,882 S	2/2009	Lum		D713,849 S	9/2014	Kirwer	
D586,795 S *	2/2009	Richter	D14/253	8,844,888 B1 *	9/2014	Gretz	F16L 3/24 248/231.81
D587,564 S *	3/2009	Kodi	D8/354	8,847,549 B2	9/2014	Graham	
D592,206 S	5/2009	O'Brien		8,848,113 B2	9/2014	Wengreen	
D596,172 S	7/2009	Ahlqvist		D714,793 S	10/2014	Kim	
7,560,642 B2 *	7/2009	Ygnelzi	H02G 3/14 174/40 CC	D716,580 S	11/2014	Wengreen	
D598,945 S	8/2009	Gillespie		D717,307 S	11/2014	Chun	
7,580,255 B2	8/2009	Crooijmans		D717,804 S	11/2014	Budge	
D601,000 S	9/2009	Cole		8,896,768 B1	11/2014	Wengreen	
D609,030 S *	2/2010	Barabas	D14/238	8,934,060 B1	1/2015	Wengreen	
D610,579 S	2/2010	Behar		8,934,061 B1	1/2015	Wengreen	
D624,949 S	10/2010	Nakayama		8,939,417 B1	1/2015	Wengreen	
D625,729 S	10/2010	McNames		D723,042 S	2/2015	Lee	
D628,611 S	12/2010	Lewis		D724,598 S	3/2015	Gelsomini	
D629,366 S *	12/2010	Ericson	D13/156	8,988,616 B2	3/2015	Wengreen	
7,854,420 B2 *	12/2010	Depay	G06F 1/1607 248/316.7	9,019,698 B2	4/2015	Thiers	
D633,503 S	3/2011	Bo		D729,544 S	5/2015	Wengreen	
7,925,230 B2 *	4/2011	Ruckriem	H04B 7/082 455/140	D732,939 S	6/2015	Cannaverde	
7,925,320 B2	4/2011	Pemble		D733,105 S	6/2015	Wengreen	
D639,092 S	6/2011	Lundy		D733,542 S	7/2015	Cannaverde	
D640,199 S *	6/2011	Wilson	D13/139.7	D733,691 S	7/2015	Wengreen	
7,959,121 B1	6/2011	Barnes		D734,305 S	7/2015	Wengreen	
7,980,435 B2	7/2011	Tages		D735,174 S	7/2015	Wengreen	
D643,659 S	8/2011	Choi		D736,848 S	8/2015	Kim	
8,041,029 B2	10/2011	Wieggers		D739,407 S	9/2015	Son	
D648,707 S	11/2011	Akana		D739,410 S	9/2015	Chun	
D648,727 S	11/2011	Van Den Nieuwenhuizen		9,131,195 B2	9/2015	Wengreen	
D654,077 S	2/2012	Radin		D741,146 S	10/2015	Delrue	
D657,362 S	4/2012	Lister		D742,387 S	11/2015	Xiang	
D660,306 S *	5/2012	Voorhees	D14/238.1	9,185,953 B2	11/2015	Whitten	
D662,491 S	6/2012	Andre		D746,599 S	1/2016	Olson	
D665,006 S	8/2012	Green		D748,615 S *	2/2016	Lee	D14/251
D667,249 S	9/2012	London		D749,549 S	2/2016	Wengreen	
D667,411 S	9/2012	Kim		D749,597 S	2/2016	Wengreen	
8,261,954 B2 *	9/2012	Lee	B60R 11/0258 224/282	D749,666 S	2/2016	Ahdoot	
D669,890 S	10/2012	Hopkins		D750,633 S	3/2016	Minn	
8,303,357 B2 *	11/2012	Kuwahara	H01R 4/26 411/160	D751,563 S	3/2016	Wengreen	
D672,308 S	12/2012	Cobbett		D752,415 S	3/2016	Lu	
8,322,584 B2	12/2012	Dethmers		D757,521 S	5/2016	Rosner	
D675,208 S	1/2013	Petrick		9,339,112 B2	5/2016	Wengreen	
D680,540 S	4/2013	Lee		D759,005 S	6/2016	Murakami	
D685,798 S	7/2013	Weiss		D759,018 S	6/2016	Subramaniam	
D685,804 S	7/2013	Richter		D761,236 S	7/2016	Wengreen	
D686,629 S	7/2013	Trinh		D763,666 S	8/2016	Wengreen	
D688,253 S	8/2013	Cho		D763,835 S	8/2016	Wengreen	
				D765,063 S	8/2016	Wengreen	
				D765,064 S	8/2016	Wengreen	
				D765,646 S	9/2016	Deng	
				D765,651 S	9/2016	Liu	
				D767,377 S	9/2016	Sekula	
				D767,973 S *	10/2016	DeDios-Shirley	D8/349
				D770,171 S	11/2016	Lai	
				D772,217 S	11/2016	Alesi	

(56)

References Cited

U.S. PATENT DOCUMENTS

D773,325 S \* 12/2016 Browning ..... D10/74  
 D773,465 S 12/2016 Palmer  
 D777,167 S 1/2017 Wengreen  
 9,543,082 B1 1/2017 Wengreen  
 D778,105 S 2/2017 Coffey, Jr.  
 D778,714 S \* 2/2017 McSweyn ..... D12/415  
 D779,466 S 2/2017 Wengreen  
 9,578,960 B1 2/2017 Wu  
 D780,762 S 3/2017 Ju  
 D784,438 S 4/2017 Rondinelli  
 D784,978 S \* 4/2017 Hobbs ..... D14/253  
 D791,215 S 7/2017 Schmidt  
 D795,820 S \* 8/2017 Wengreen ..... D13/155  
 9,735,558 B1 \* 8/2017 Gretz ..... H02G 3/185  
 D797,546 S 9/2017 Saideh  
 D797,750 S 9/2017 Wengreen  
 D798,305 S 9/2017 Wengreen  
 D798,306 S 9/2017 Wengreen  
 D798,828 S \* 10/2017 Maloney ..... D13/173  
 D800,700 S \* 10/2017 Bergman ..... D14/217  
 D800,824 S 10/2017 Jacob  
 D801,413 S 10/2017 Martin  
 D801,414 S 10/2017 Martin  
 D803,030 S 11/2017 Wengreen  
 D804,289 S 12/2017 Wengreen  
 D806,521 S 1/2018 Wengreen  
 D808,367 S 1/2018 Wengreen  
 D812,458 S 3/2018 Goto  
 D813,241 S 3/2018 Wengreen  
 D823,841 S \* 7/2018 Marini ..... D14/238  
 D824,399 S 7/2018 Wengreen  
 D825,576 S 8/2018 Krupa  
 D825,643 S 8/2018 Wengreen  
 D832,274 S 10/2018 Wengreen  
 D832,858 S 11/2018 Wengreen  
 D841,630 S \* 2/2019 Mecchella ..... D14/238.1  
 10,199,782 B1 \* 2/2019 Wengreen ..... H01R 13/72  
 D849,687 S \* 5/2019 Dai ..... D13/137.2  
 2003/0205651 A1 \* 11/2003 Richter ..... B60N 3/103  
 248/231.81  
 2005/0023419 A1 2/2005 Frankel  
 2005/0211861 A1 9/2005 Lee  
 2005/0236541 A1 10/2005 Chang  
 2006/0224575 A1 10/2006 Ostojic  
 2007/0097617 A1 5/2007 Searby  
 2007/0235609 A1 10/2007 Chun  
 2007/0264169 A1 11/2007 Chen  
 2008/0078793 A1 4/2008 Brown

2008/0142499 A1 \* 6/2008 Byrne ..... A47J 36/2461  
 219/443.1  
 2009/0218454 A1 9/2009 Stanley  
 2009/0296997 A1 12/2009 Rocheford  
 2010/0270190 A1 10/2010 Howard  
 2010/0281671 A1 11/2010 De Vaan  
 2010/0288895 A1 11/2010 Shamie  
 2010/0314277 A1 12/2010 Murray  
 2011/0242439 A1 10/2011 Calderon  
 2011/0278885 A1 \* 11/2011 Procter ..... B60R 11/0235  
 297/135  
 2012/0126081 A1 5/2012 Wengreen  
 2012/0127379 A1 5/2012 Wengreen  
 2012/0168516 A1 7/2012 Bolger  
 2012/0280014 A1 11/2012 Lopez-Apodaca  
 2012/0305868 A1 \* 12/2012 Callahan ..... H02G 3/12  
 254/134.3 R  
 2012/0312950 A1 12/2012 Sears  
 2014/0061406 A1 3/2014 Chevalier  
 2014/0103179 A1 4/2014 Lipke  
 2014/0241705 A1 8/2014 Wengreen  
 2015/0070835 A1 3/2015 McLean  
 2015/0212544 A1 7/2015 Chen  
 2015/0305502 A1 10/2015 Wengreen  
 2016/0007735 A1 1/2016 Gallup  
 2016/0119458 A1 4/2016 Gunther  
 2016/0120295 A1 5/2016 Rowley  
 2016/0218535 A1 7/2016 Prete  
 2016/0234955 A1 8/2016 Wengreen  
 2016/0241289 A1 8/2016 Wirth  
 2017/0150620 A1 5/2017 Wengreen  
 2017/0208945 A1 7/2017 Wengreen

OTHER PUBLICATIONS

Matone Outlet Wall Mount—Website (downloaded on Oct. 17, 2018 from <https://www.amazon.com/Matone-Assistants-Space-Saving-Solution-Speakers/dp/B078H7VY19>). Listed on Amazon.com at least as early as Jan. 2, 2018.  
 Feiyen Outlet Wall Mount—Website (downloaded on Oct. 17, 2018 from <https://www.amazon.com/Generation-Without-Compact-Kitchens-Bathroom/dp/B0756GYPNS>). Listed on Amazon.com at least as early as Aug. 28, 2017.  
 eBoot Solid Metal Wall Mount—Website (downloaded on Oct. 17, 2018 from <https://www.amazon.com/eBoot-Holder-Bracket-All-New-Generation/dp/B01MZ92KID>). Listed on Amazon.com at least as early as Jan. 12, 2017.

\* cited by examiner

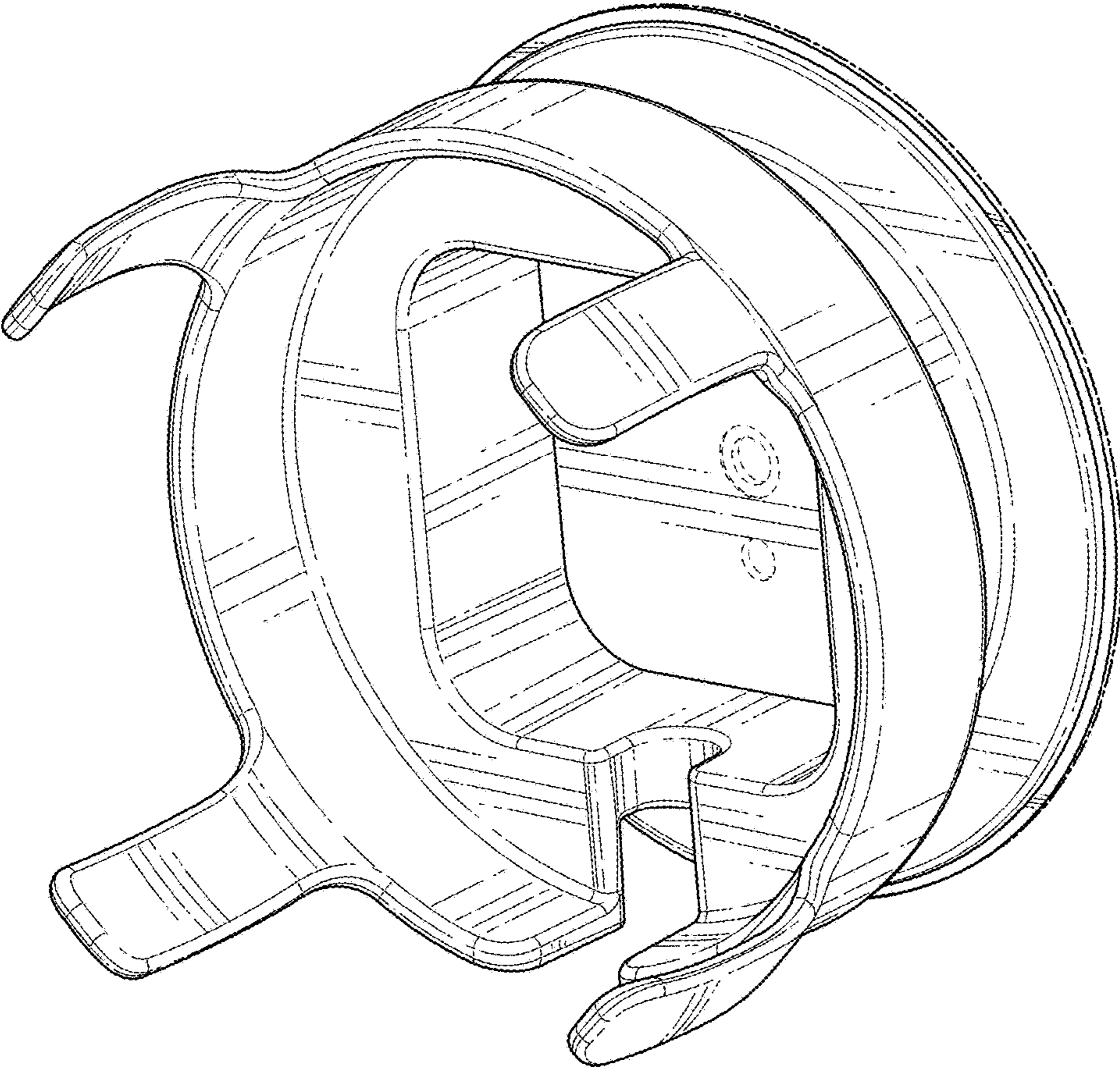


FIG. 1

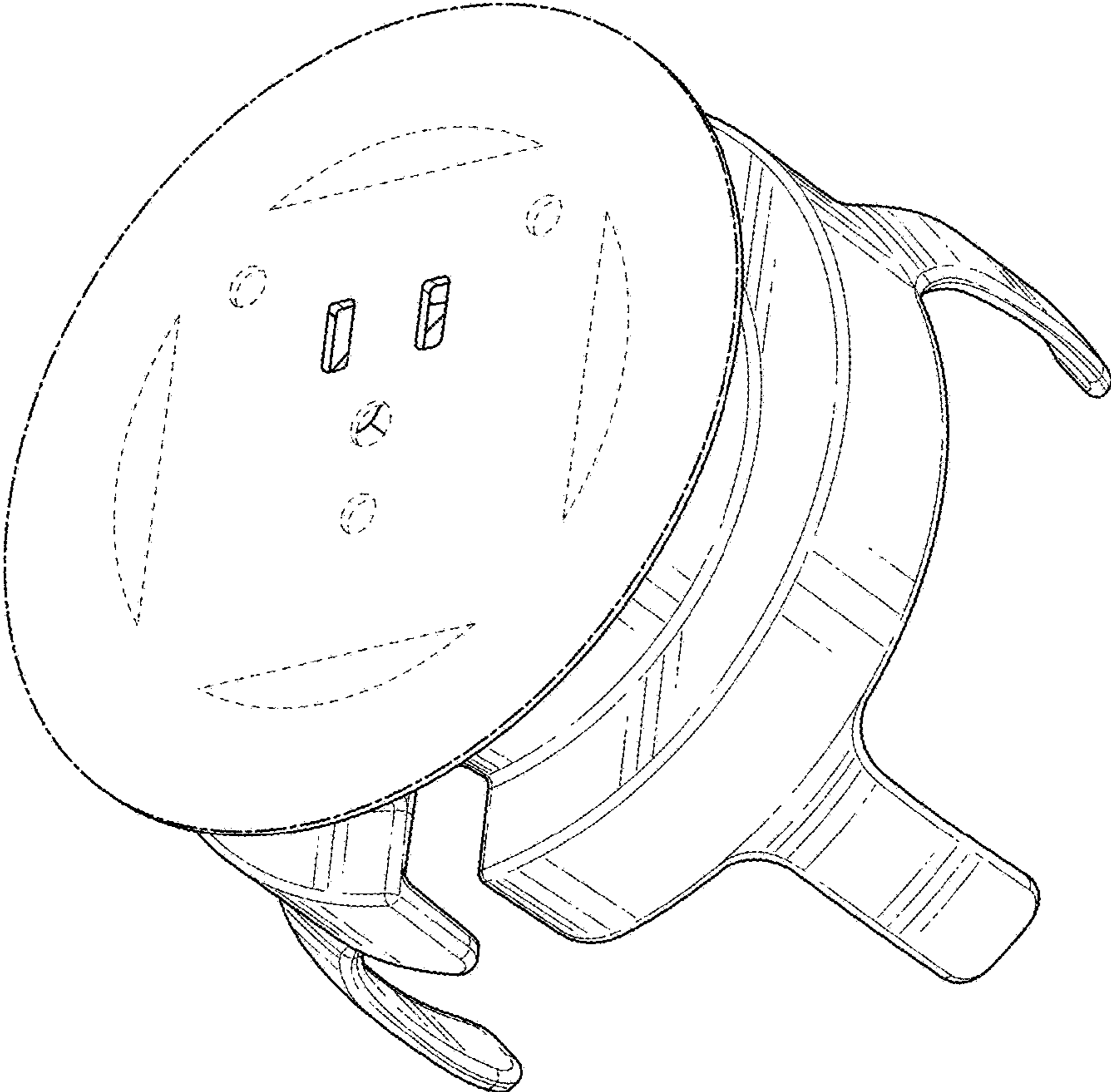


FIG. 2

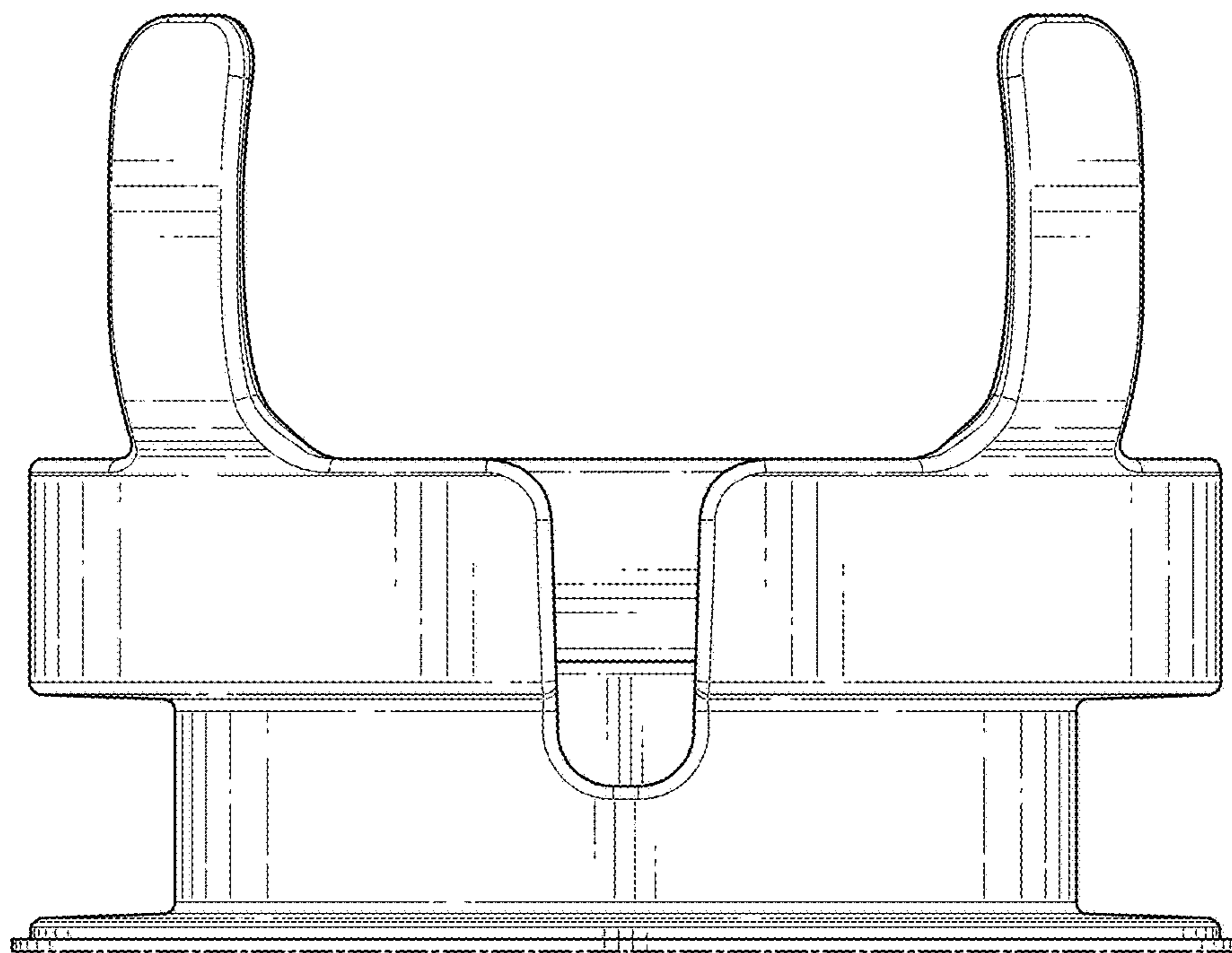


FIG. 3

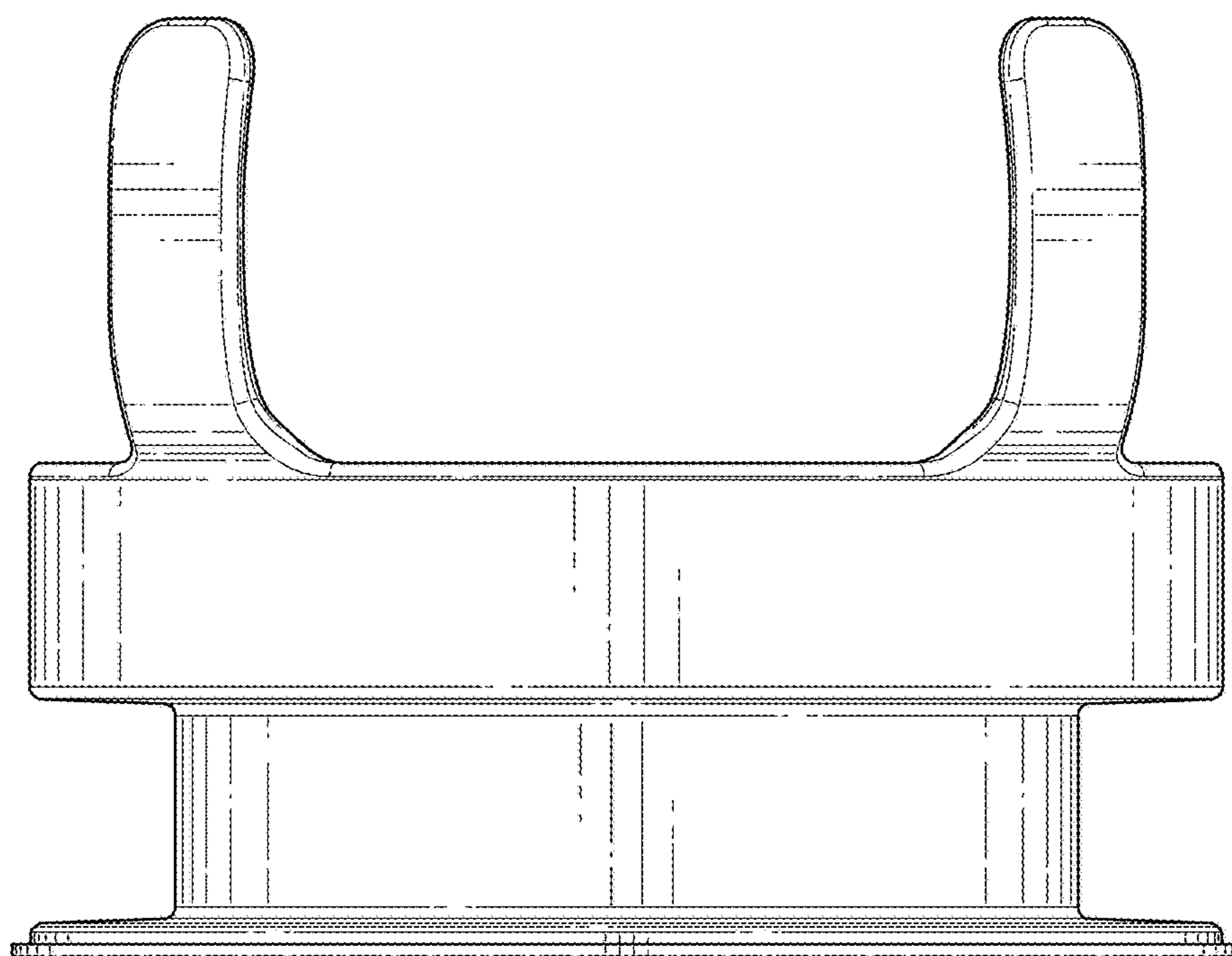


FIG. 4



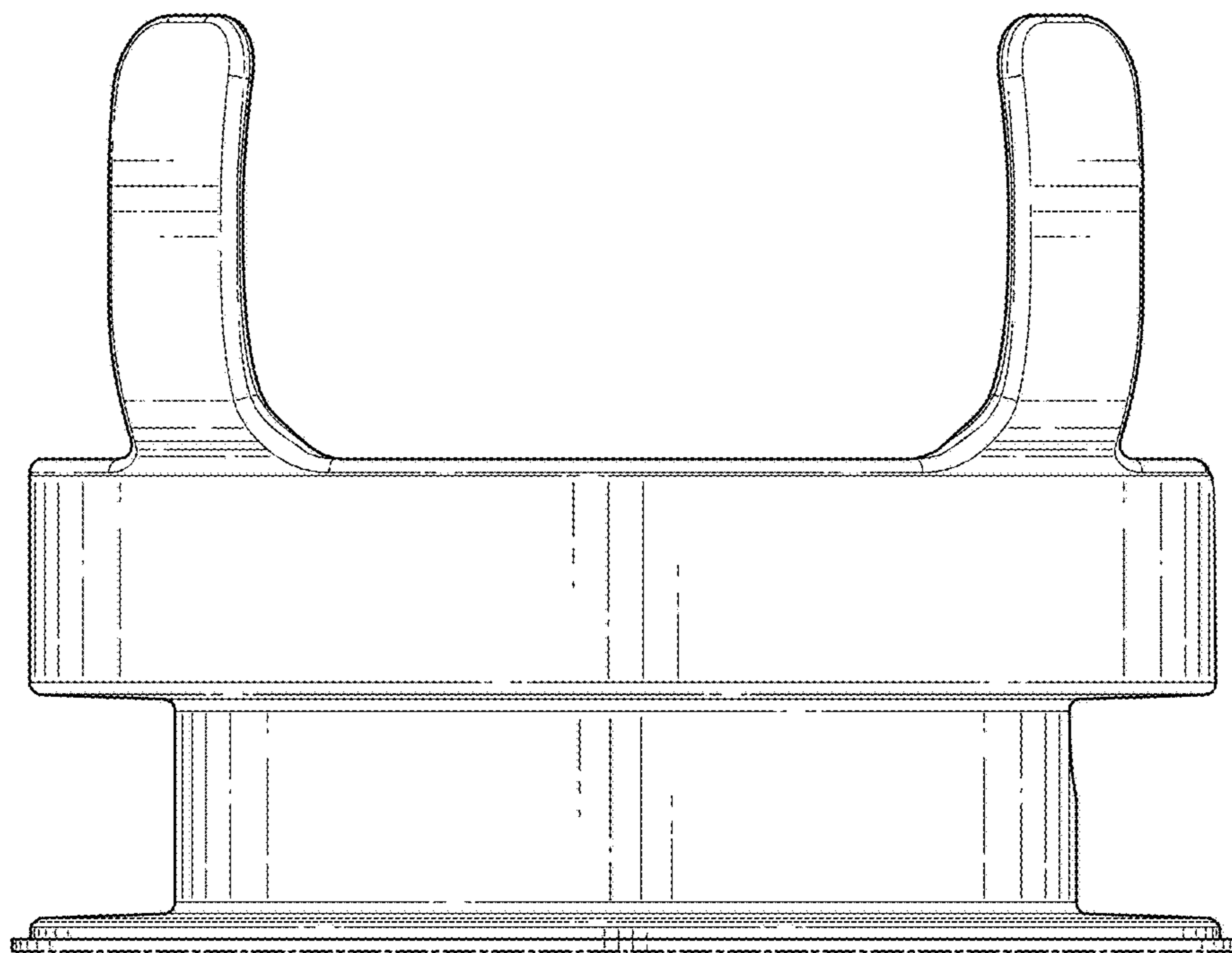


FIG. 5

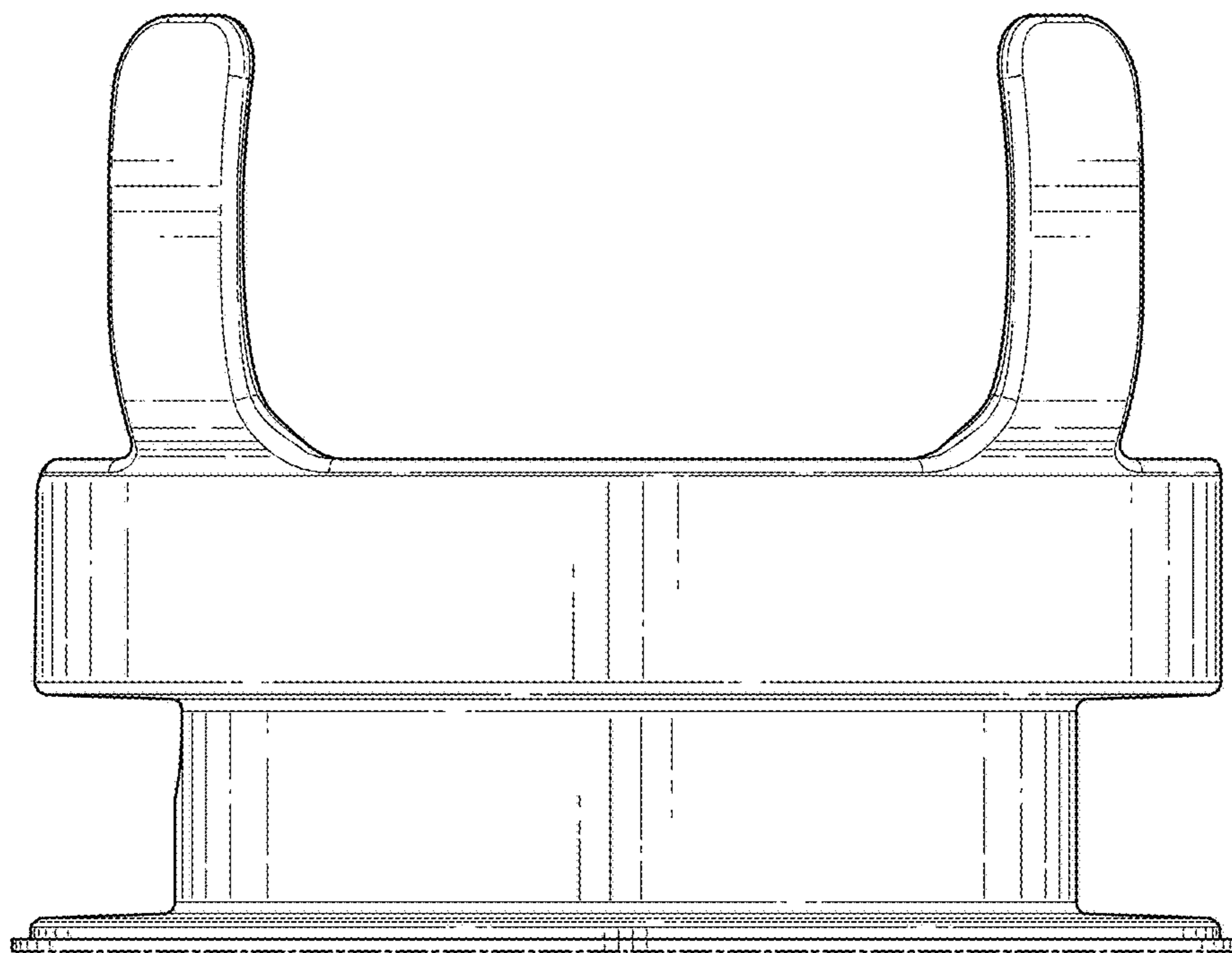


FIG. 6

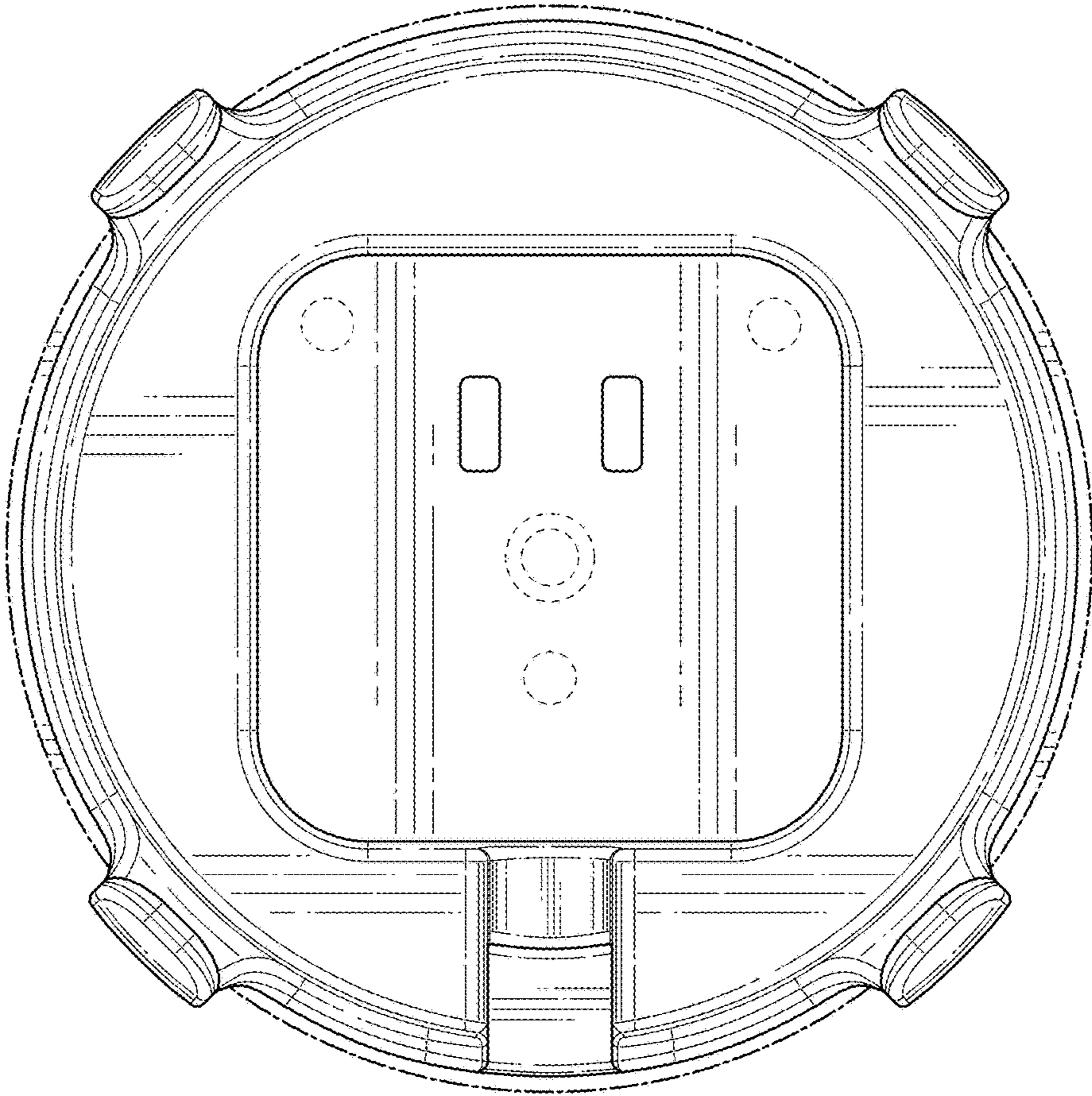


FIG. 7

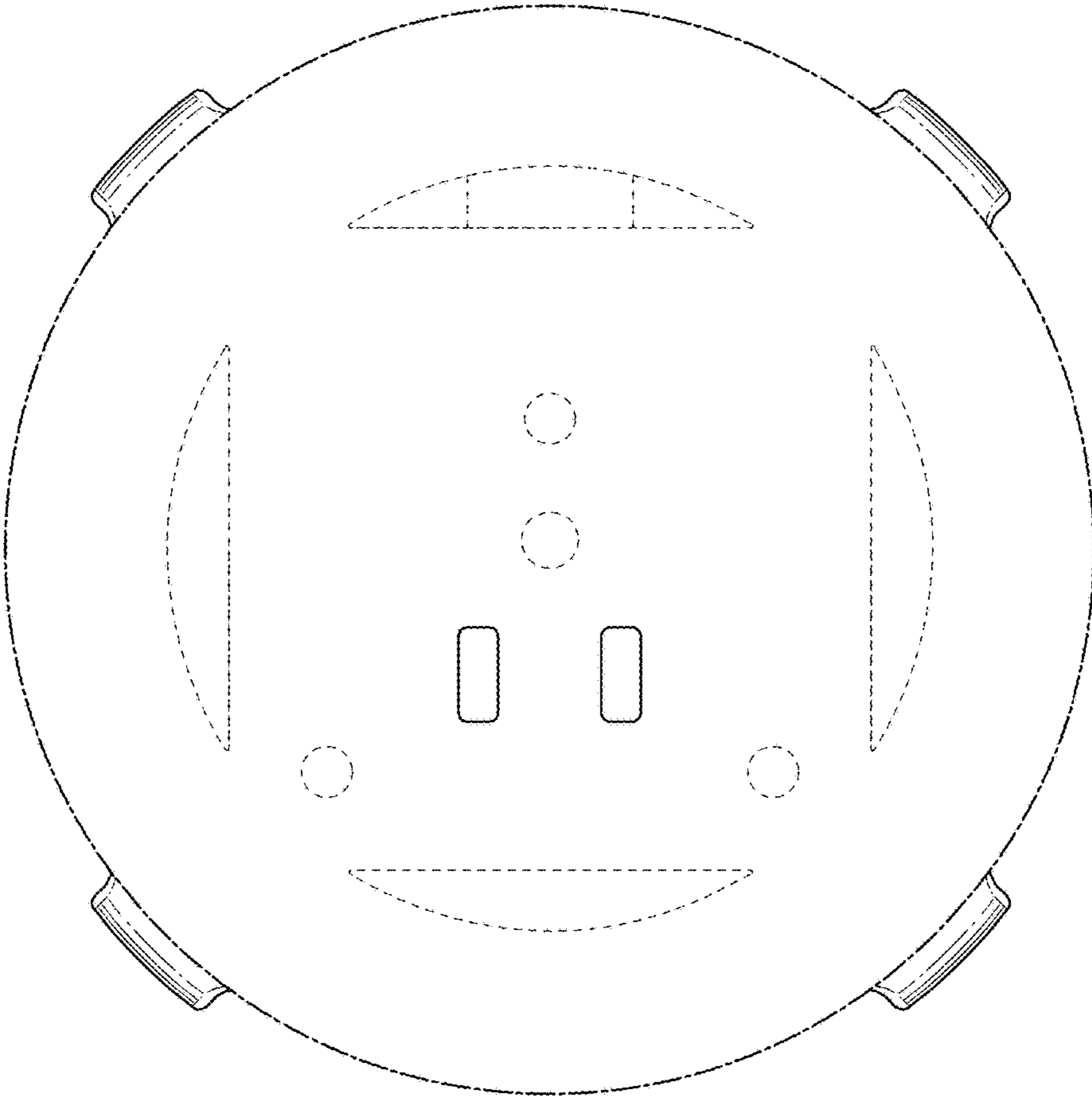


FIG. 8