



US00D865722S

(12) **United States Design Patent**
Cai

(10) **Patent No.:** **US D865,722 S**

(45) **Date of Patent:** **** Nov. 5, 2019**

(54) **EARPHONE**

(71) Applicant: **GUANGZHOU LANSHIDUN ELECTRONIC LIMITED COMPANY, Guangzhou (CN)**

(72) Inventor: **Hejin Cai, Guangzhou (CN)**

(73) Assignee: **GUANGZHOU LANSHIDUN ELECTRONIC LIMITED COMPANY, Guangzhou (CN)**

(**) Term: **15 Years**

(21) Appl. No.: **29/703,004**

(22) Filed: **Aug. 23, 2019**

(51) **LOC (12) Cl.** **14-01**

(52) **U.S. Cl.**
USPC **D14/223**

(58) **Field of Classification Search**
USPC D14/223; D24/174; 128/864, 865, 866;
181/129, 130, 135; 379/430, 431;
381/380, 381, 324, 322; 455/90.3, 575.1,
455/569.1

CPC H04R 1/10; H04R 1/1066; H04R 1/1016;
H04R 5/033; H04R 5/0335; H04R 25/00

See application file for complete search history.

(56) **References Cited**

U.S. PATENT DOCUMENTS

D176,810 S * 1/1956 Norris D14/192
D177,346 S * 4/1956 Norris D14/192
D206,665 S * 1/1967 Sanzone D24/174
3,374,318 A * 3/1968 Martin H04R 25/654
381/325
4,069,400 A * 1/1978 Johanson H04R 25/60
381/322
D266,271 S * 9/1982 Johanson D24/174
4,375,016 A * 2/1983 Harada H04R 25/656
181/135
4,716,985 A * 1/1988 Haertl H04R 25/65
181/130
D321,881 S * 11/1991 Hopewell D14/192

5,201,008 A * 4/1993 Arndt H04R 25/602
381/322

D350,961 S * 9/1994 Nakamura D14/205
D367,113 S * 2/1996 Weeks D24/174

(Continued)

FOREIGN PATENT DOCUMENTS

JP D1515649 * 12/2014

OTHER PUBLICATIONS

“Anker Soundcore Liberty Neo Wireless Bluetooth Earbuds, Graphene Drivers, Pumping Bass, Secure Fit, Bluetooth 5.0 Headphones, Stereo Calls, Noise Canceling, Easy Pairing, Sweatproof, Sports, Work Out”, Retrieved Aug. 23, 2019]. Retrieved from Internet, <https://www.amazon.com/Soundcore-Bluetooth-Headphones-Noise-Canceling-Sweatproof/dp/B07MCGZK3B>.

(Continued)

Primary Examiner — Paula Allen Greene

(57) **CLAIM**

The ornamental design for an earphone, as shown and described.

DESCRIPTION

FIG. 1 is a perspective view of an earphone shown my new design;

FIG. 2 is another perspective view thereof;

FIG. 3 is another perspective view thereof;

FIG. 4 is a front elevational view thereof;

FIG. 5 is a rear elevational view thereof;

FIG. 6 is a left side elevational view thereof;

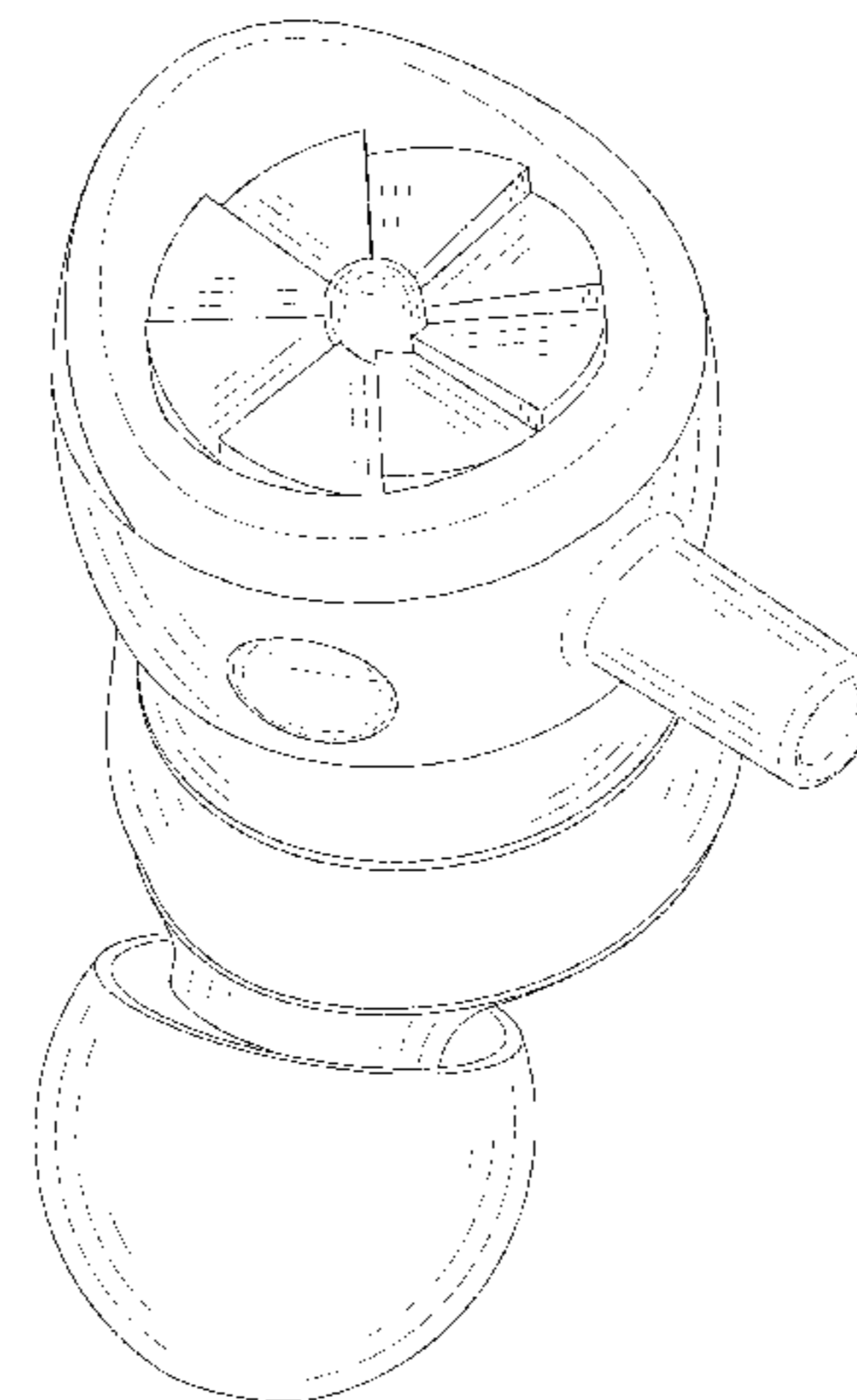
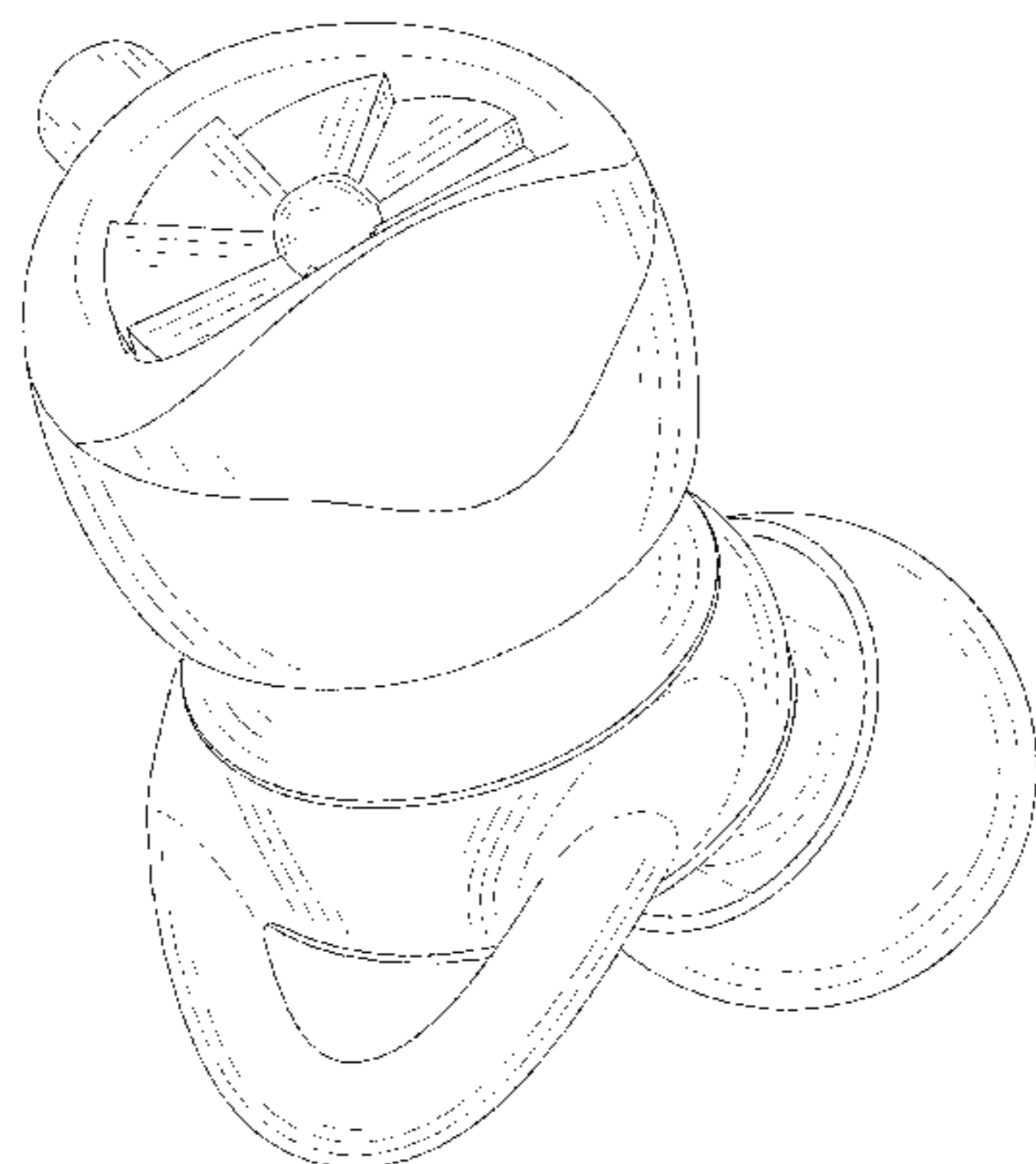
FIG. 7 is a right side elevational view thereof;

FIG. 8 is a top plan view thereof; and,

FIG. 9 is a bottom plan view thereof.

The broken lines in the drawings depict portions of the earphone that form no part of the claimed design.

1 Claim, 9 Drawing Sheets



(56)

References Cited

U.S. PATENT DOCUMENTS

5,748,743 A * 5/1998 Weeks H04R 25/654
 381/312
 D452,857 S * 1/2002 Hong D14/206
 D464,638 S * 10/2002 Huang D14/205
 D469,755 S * 2/2003 Hlas D14/223
 D529,901 S * 10/2006 Ohta D14/223
 D543,972 S * 6/2007 Taylor D14/223
 D559,837 S * 1/2008 Nakano D14/223
 D573,138 S * 7/2008 Goransson D14/223
 D574,814 S * 8/2008 Hammond D14/205
 D579,006 S * 10/2008 Kim D14/223
 D597,534 S * 8/2009 Christopher D14/223
 D603,380 S * 11/2009 Hutchieson D14/223
 D618,211 S * 6/2010 Oguro D14/205
 D621,817 S * 8/2010 Brickstad D14/223
 D627,338 S * 11/2010 Koss D14/223
 D635,558 S * 4/2011 Zheng D14/206
 D647,081 S * 10/2011 Kwon D14/223
 D647,888 S * 11/2011 Katsuraku D14/223
 D660,292 S * 5/2012 Rautiainen D14/223
 D666,602 S * 9/2012 Li D14/248
 D674,490 S * 1/2013 Bailey D24/174
 D681,602 S * 5/2013 Koch D14/205
 D699,215 S * 2/2014 Koch D14/205
 D705,757 S * 5/2014 Yashiro H04R 1/10
 D14/223
 D710,334 S * 8/2014 Yang D14/223
 D711,356 S * 8/2014 Yang D14/223
 8,831,266 B1 * 9/2014 Huang H04R 1/1091
 381/380
 D717,772 S * 11/2014 Yang D14/223
 D718,286 S * 11/2014 Yang D14/223
 D719,548 S * 12/2014 Thompson D14/223

D729,775 S * 5/2015 Seo D14/205
 D733,103 S * 6/2015 Jeong D14/224
 D735,169 S * 7/2015 Shieh D14/223
 D739,946 S * 9/2015 Dickman D24/174
 D773,439 S * 12/2016 Walker D14/205
 D777,710 S * 1/2017 Palmborg D14/223
 D781,269 S * 3/2017 Choe D14/223
 D788,079 S * 5/2017 Son D14/223
 D789,909 S * 6/2017 Hung D14/223
 D806,685 S * 1/2018 Park D14/223
 D841,627 S * 2/2019 Wen D14/223
 D850,419 S * 6/2019 Shin D14/223
 D852,783 S * 7/2019 Hueber D14/223
 D855,589 S * 8/2019 Madsen D14/223
 D858,488 S * 9/2019 Zheng D14/223
 2011/0176699 A1 * 7/2011 Lin H04R 1/1016
 381/374
 2014/0205125 A1 * 7/2014 Triato H04R 1/105
 381/330

OTHER PUBLICATIONS

“TOZO T10 Bluetooth 5.0 Wireless Earbuds with [Wireless Charging Case] IPX8 Waterproof TWS Stereo Headphones in-Ear Built-in Mic Headset Premium Sound with Deep Bass for Sport [Blue]”, Retrieved Aug. 23, 2019]. Retrieved from Internet, <https://www.amazon.com/dp/B07VT7DD48>.
 “Otium Wireless Earbuds Bluetooth 5.0 Headphones with Upgraded LED Display Charging Case Stereo Sound Headset IPX7 Waterproof TWS Built-in Mic in-Ear Earphones with Deep Bass for Sports Running”, Retrieved Aug. 23, 2019]. Retrieved from Internet, <https://www.amazon.com/Otium-Bluetooth-Headphones-Waterproof-Earphones/dp/B07S5JVP78>.

* cited by examiner

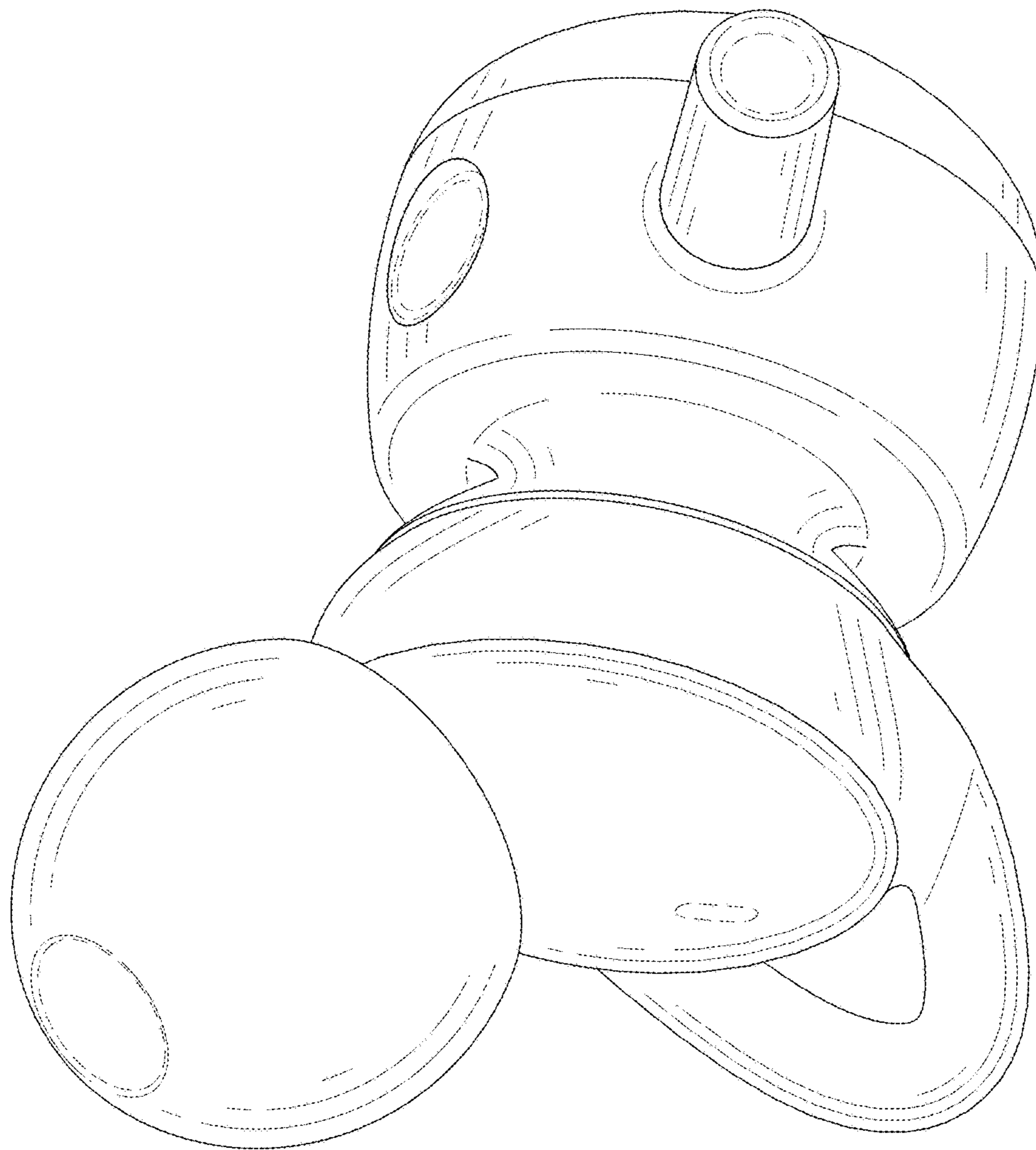


FIG. 1

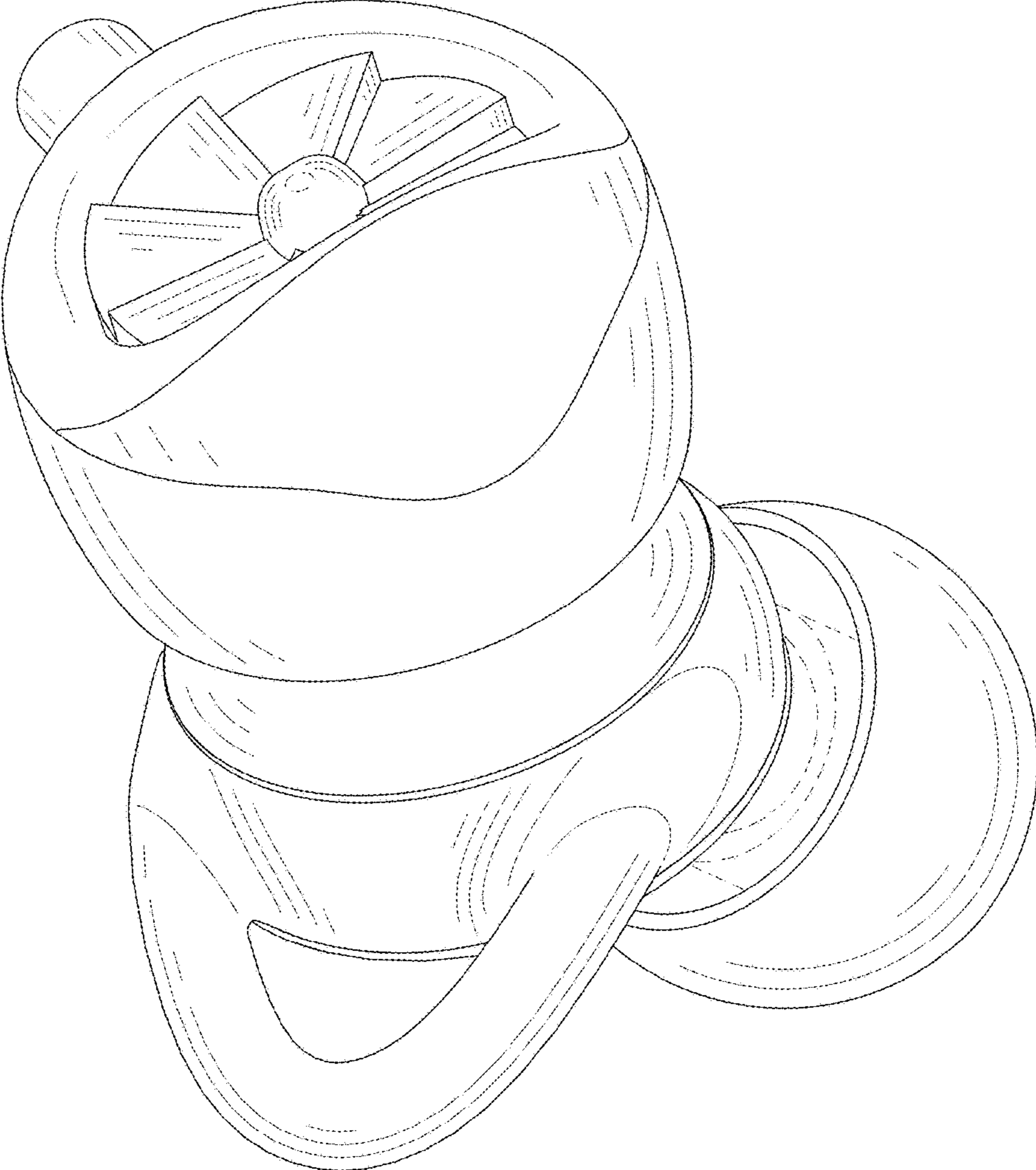


FIG. 2

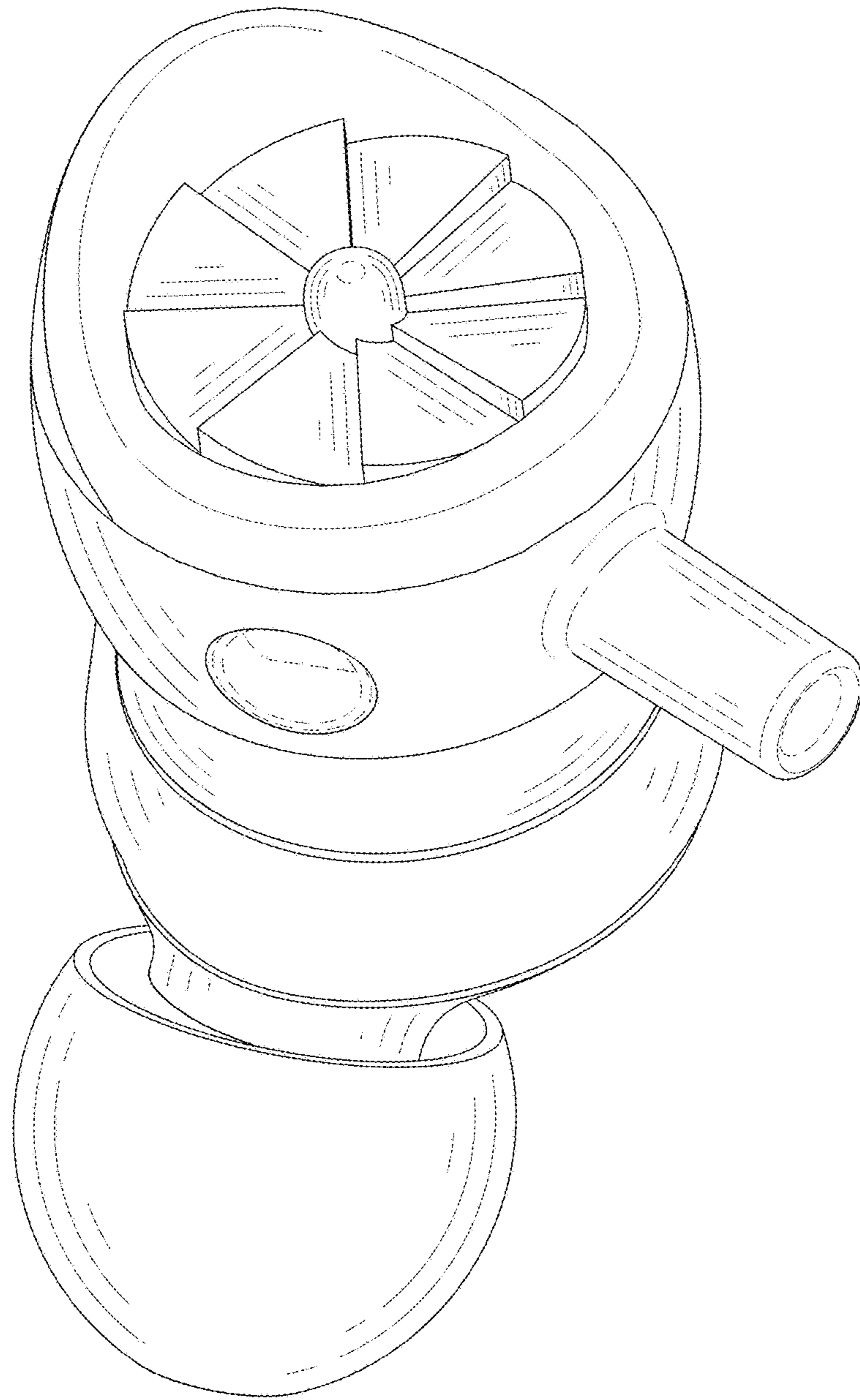


FIG. 3

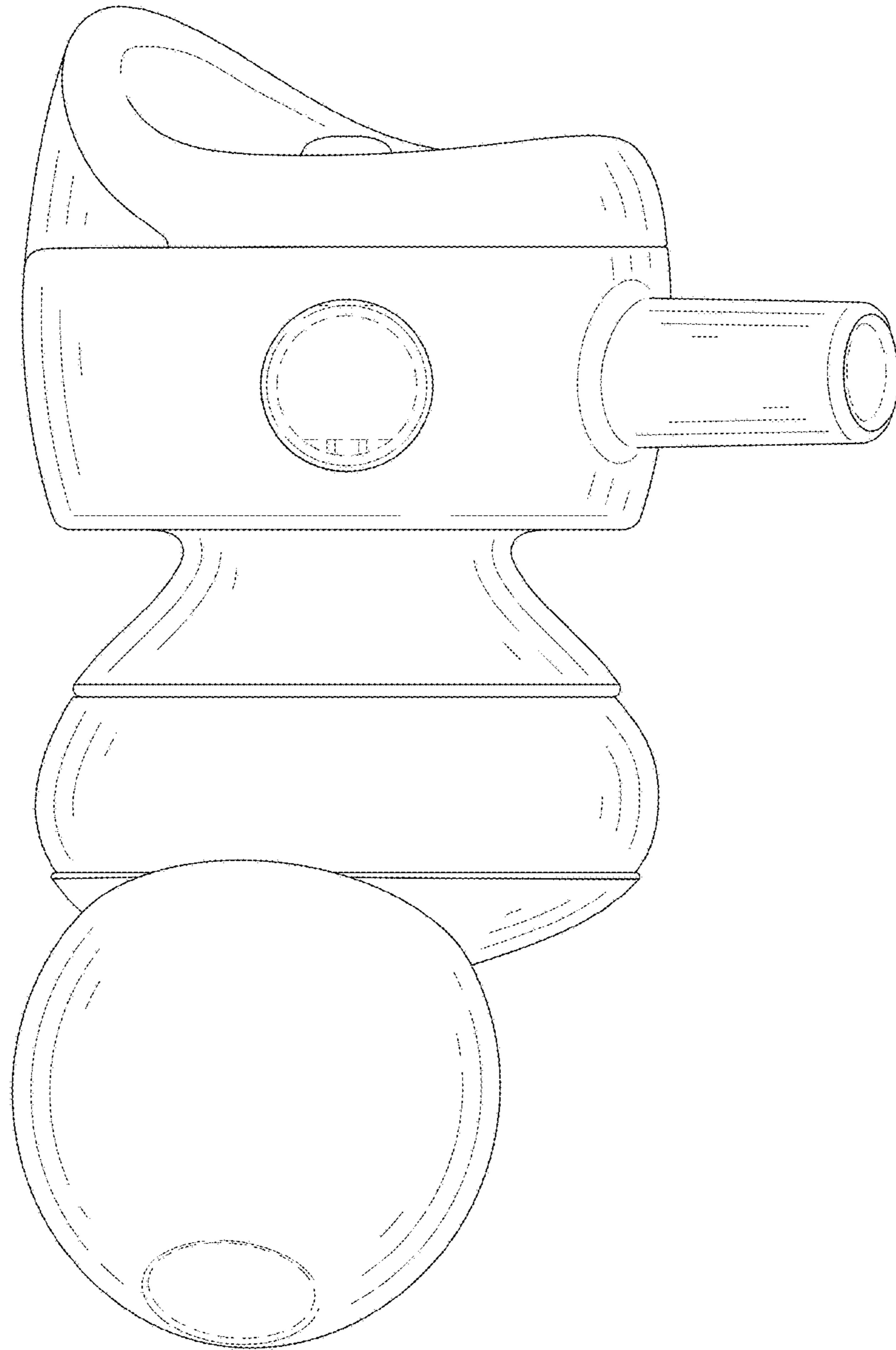


FIG. 4

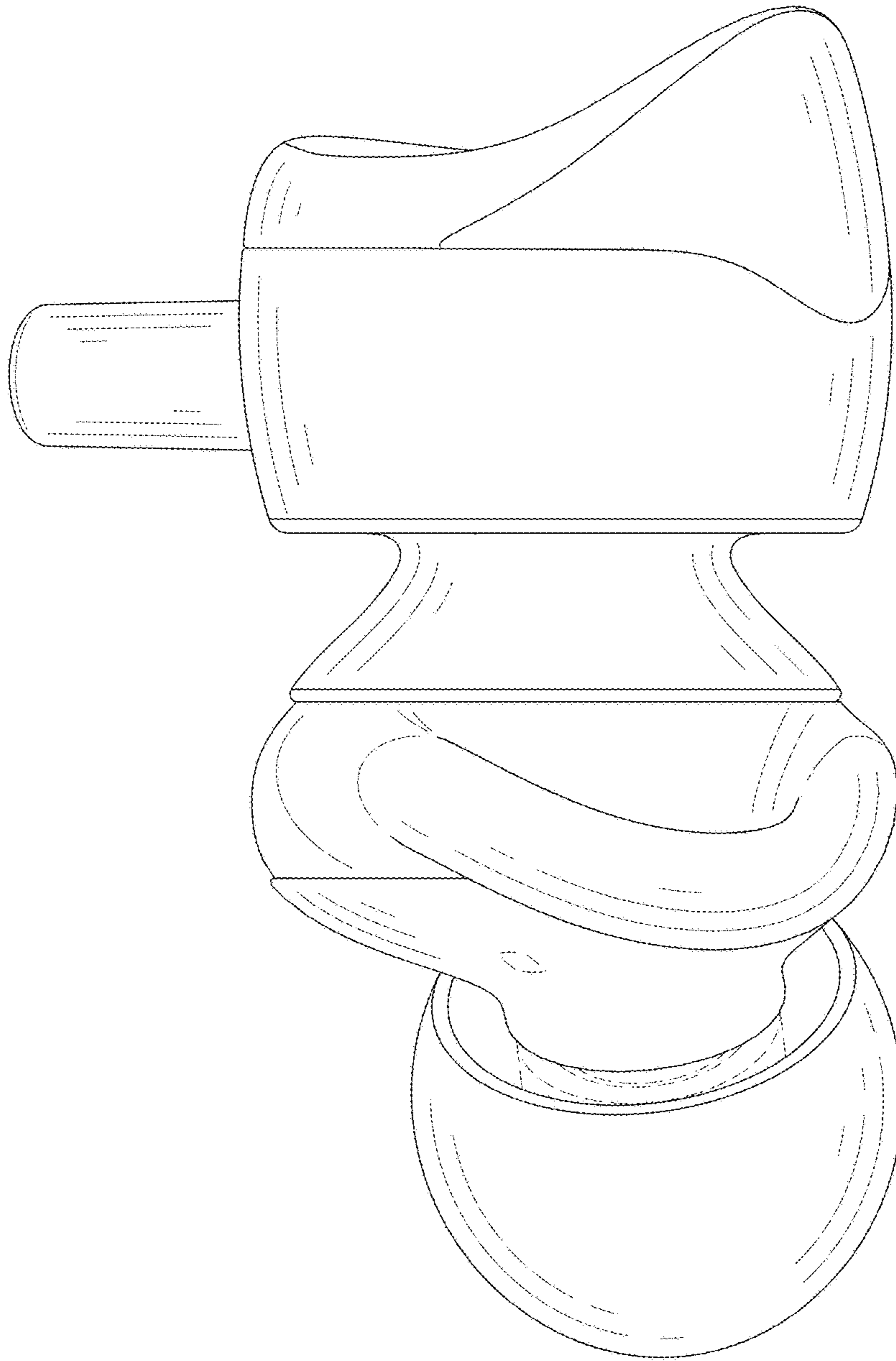


FIG. 5

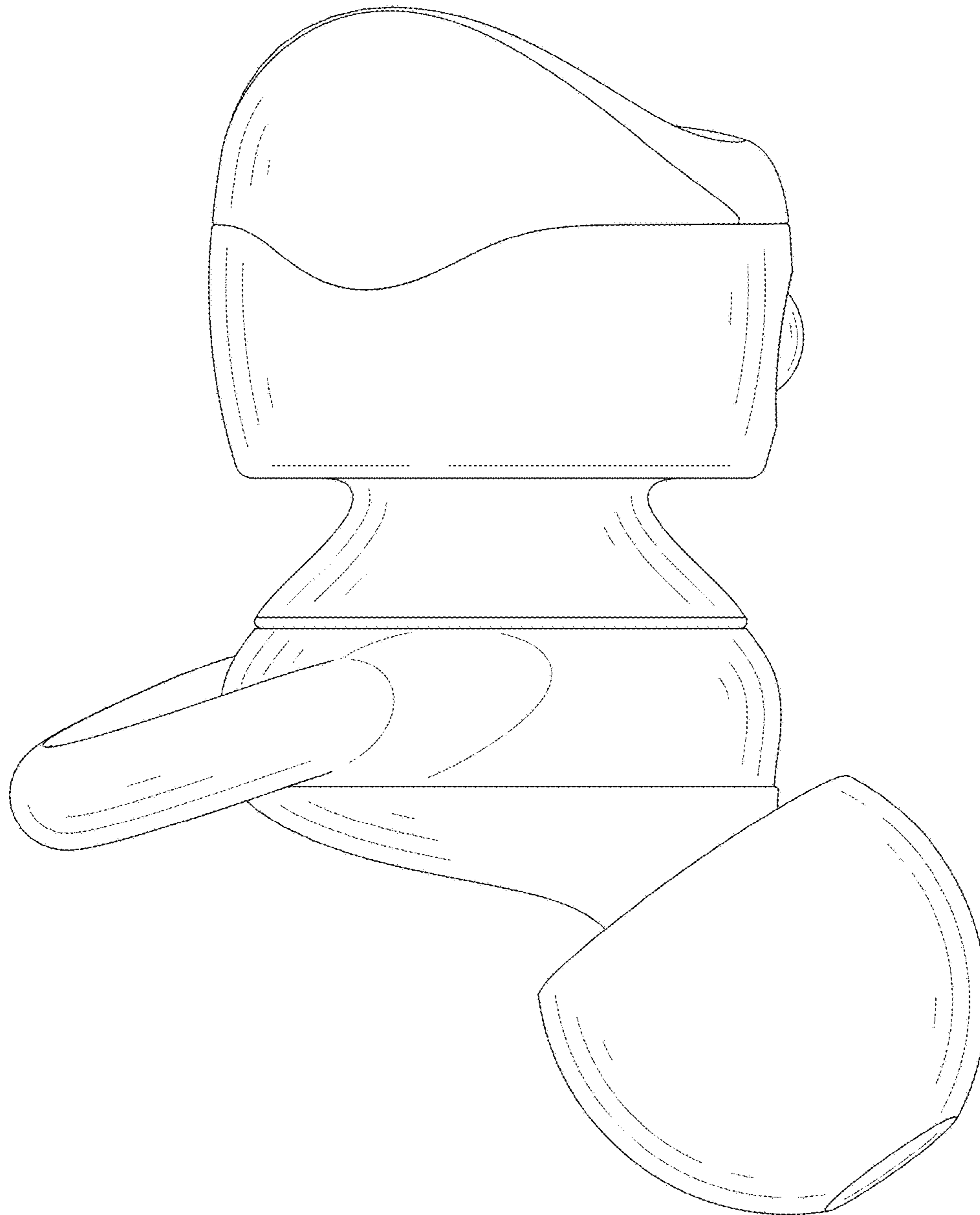


FIG. 6

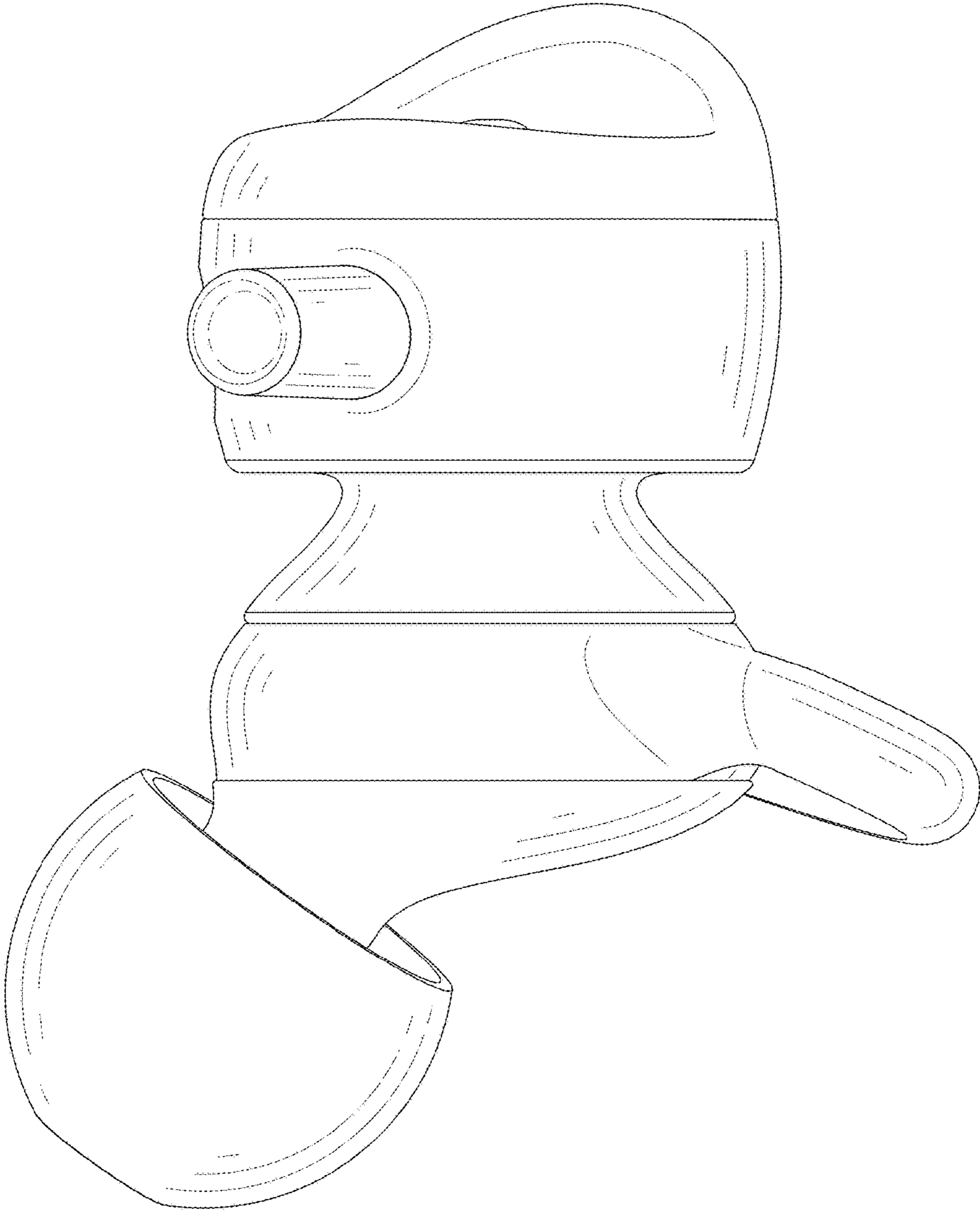


FIG. 7

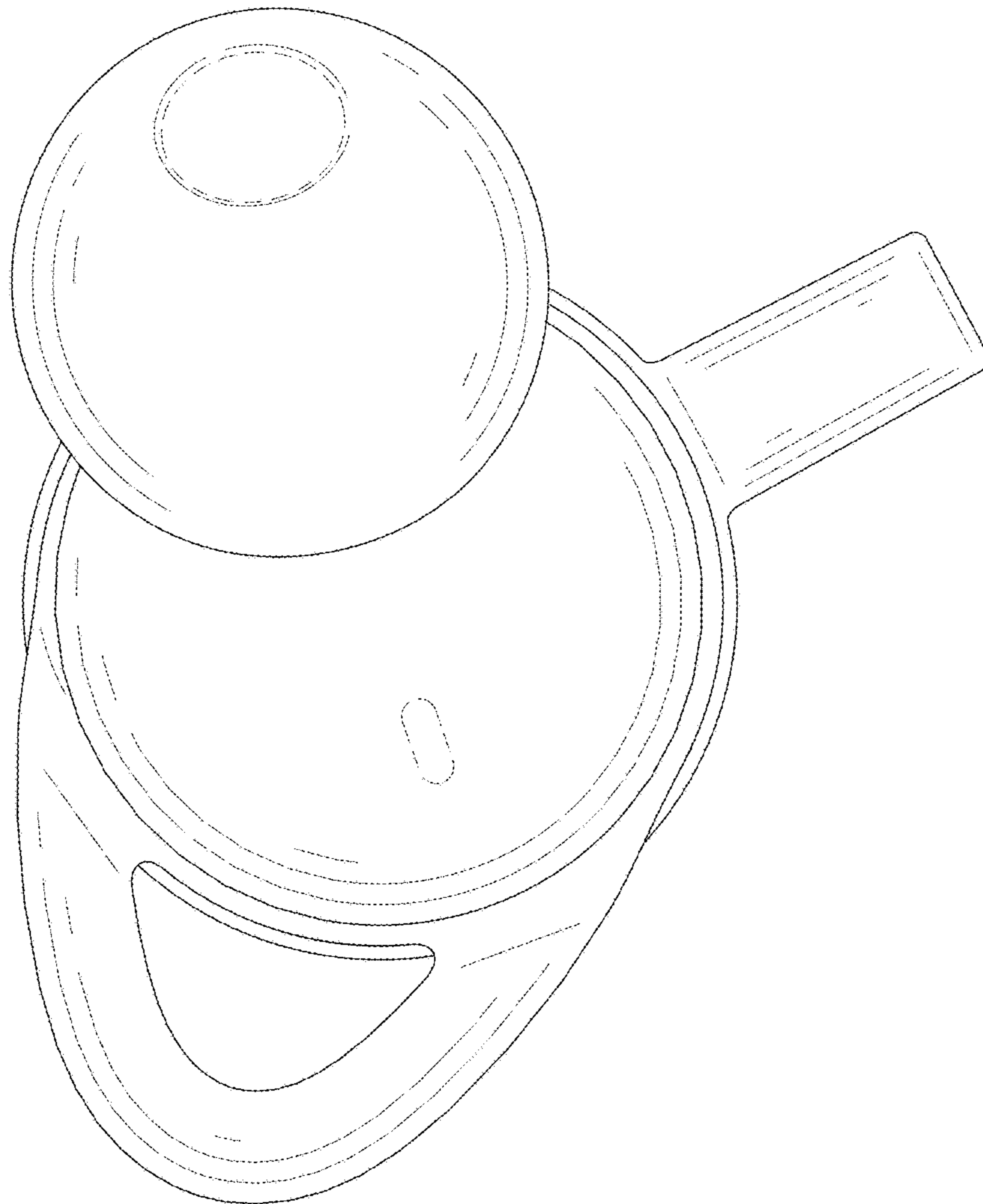


FIG. 8

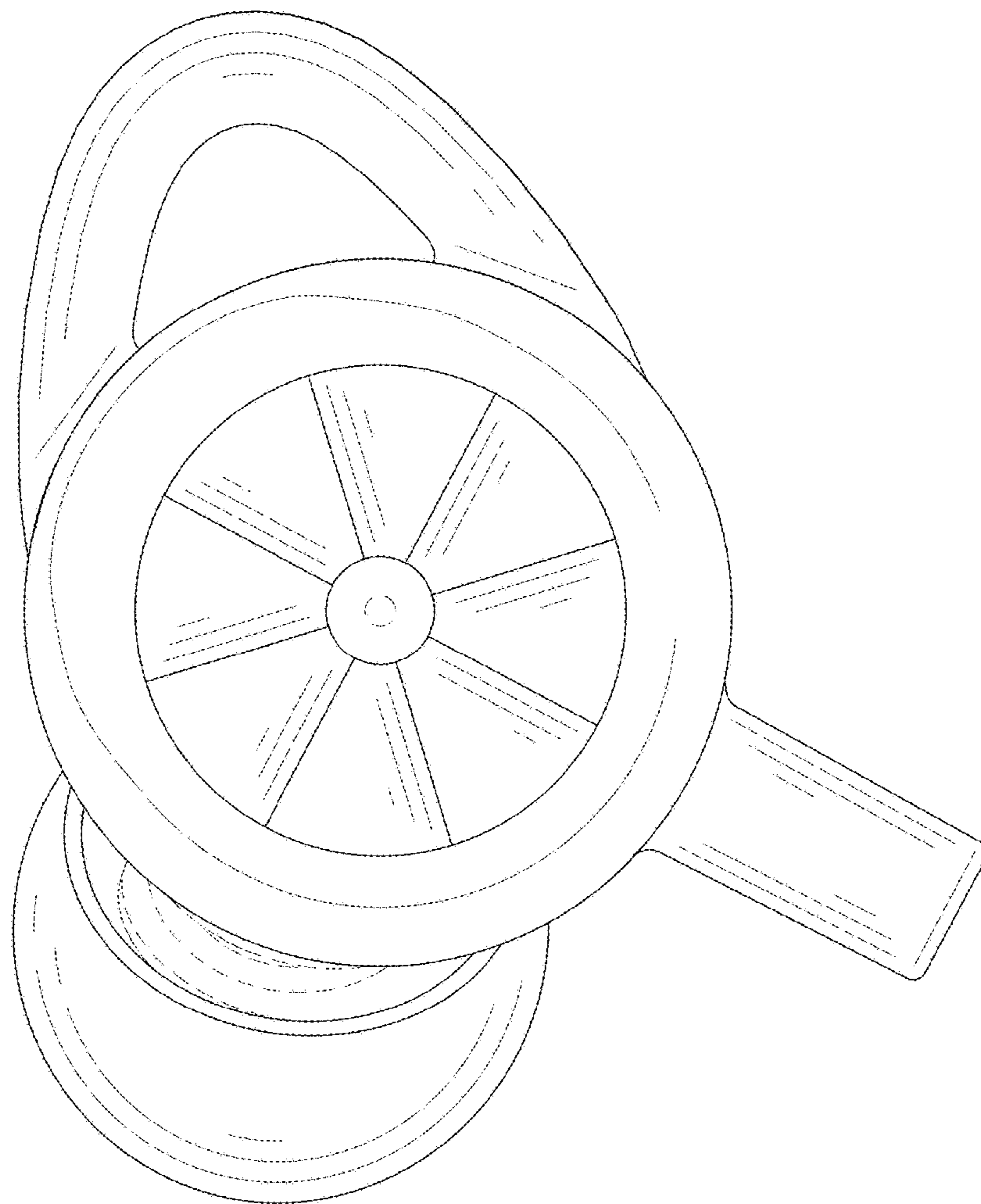


FIG. 9