



US00D865716S

(12) **United States Design Patent** (10) **Patent No.:** **US D865,716 S**  
**Kuang** (45) **Date of Patent:** **\*\* Nov. 5, 2019**

(54) **WHITE NOISE MACHINE**  
(71) Applicant: **Zhixiang Kuang**, Shenzhen (CN)  
(72) Inventor: **Zhixiang Kuang**, Shenzhen (CN)  
(\*\*) Term: **15 Years**  
(21) Appl. No.: **29/660,349**  
(22) Filed: **Aug. 20, 2018**  
(51) **LOC (12) Cl.** ..... **14-01**  
(52) **U.S. Cl.**  
USPC ..... **D14/216**  
(58) **Field of Classification Search**  
USPC ..... D14/137, 138 R, 138 AA, 138 AB,  
D14/138 AD, 188, 204, 210, 212, 215,  
D14/216, 230, 299, 341, 343, 345, 433,  
D14/498  
CPC ..... H04R 1/326; H04R 1/406; H04R 1/083;  
H04R 1/222; H04R 1/1041; H04R 17/02;  
H04R 29/004; H04R 29/005; H04R  
19/04; H04R 2420/04; H04R 2410/00;  
H04R 2410/01  
See application file for complete search history.

D847,373 S \* 4/2019 Hurwit ..... D24/231  
D848,398 S \* 5/2019 Huang ..... D14/216  
D849,704 S \* 5/2019 Kim ..... D14/137  
D856,316 S \* 8/2019 Yang ..... D14/230  
2013/0028457 A1\* 1/2013 Yeh ..... H04R 1/10  
381/334

**OTHER PUBLICATIONS**

Vanzon White Noise Machine, reviewed Mar. 5, 2019 [online],  
retrieved Aug. 29, 2019, retrieved from internet, [https:// www.  
amazon.com/White-Noise-Machine-Sleeping-Relaxation/dp/  
B07MX592VN](https://www.amazon.com/White-Noise-Machine-Sleeping-Relaxation/dp/B07MX592VN).\*

\* cited by examiner

*Primary Examiner* — Barbara Fox  
*Assistant Examiner* — Messina L Smith

(57) **CLAIM**

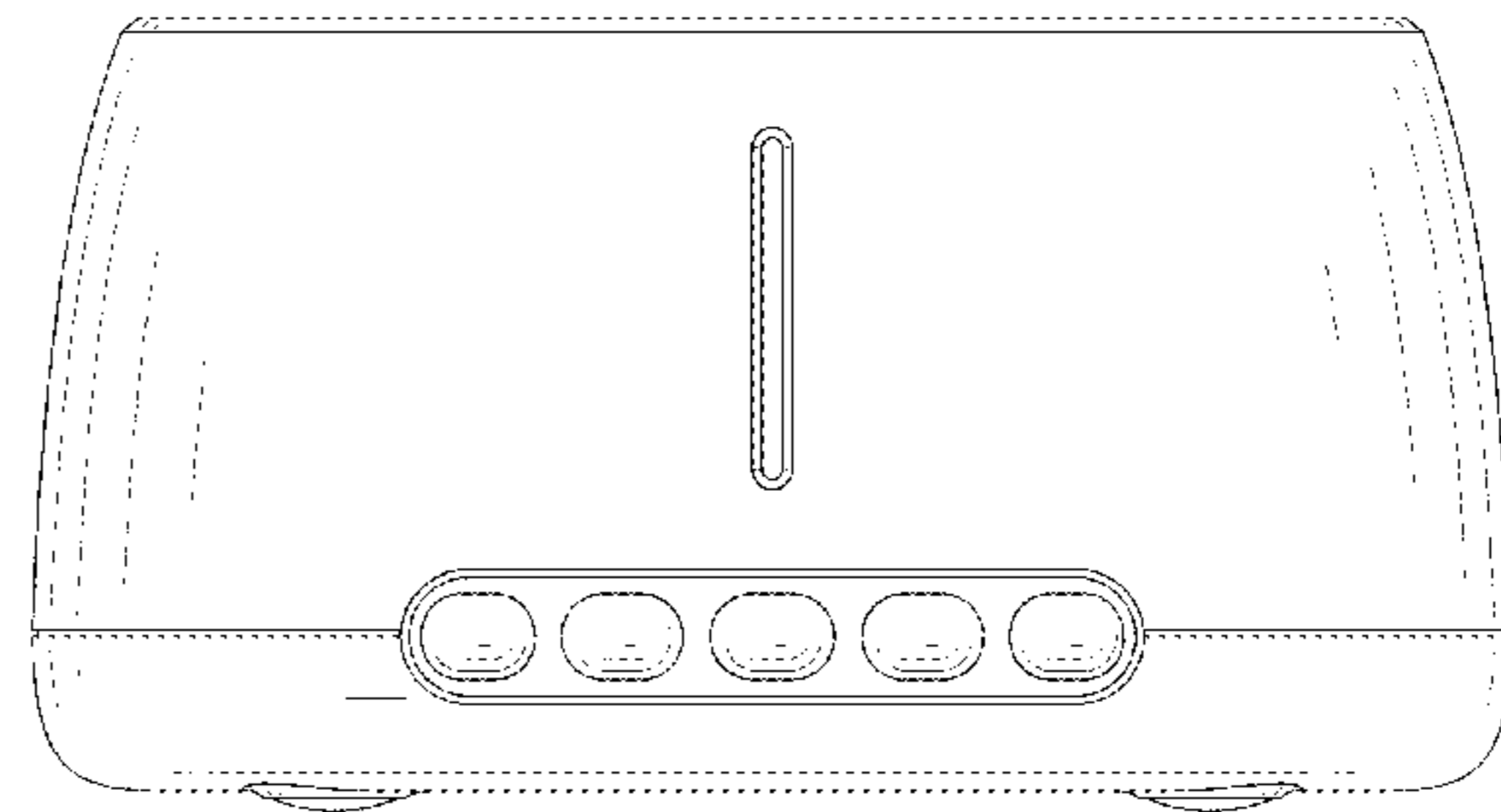
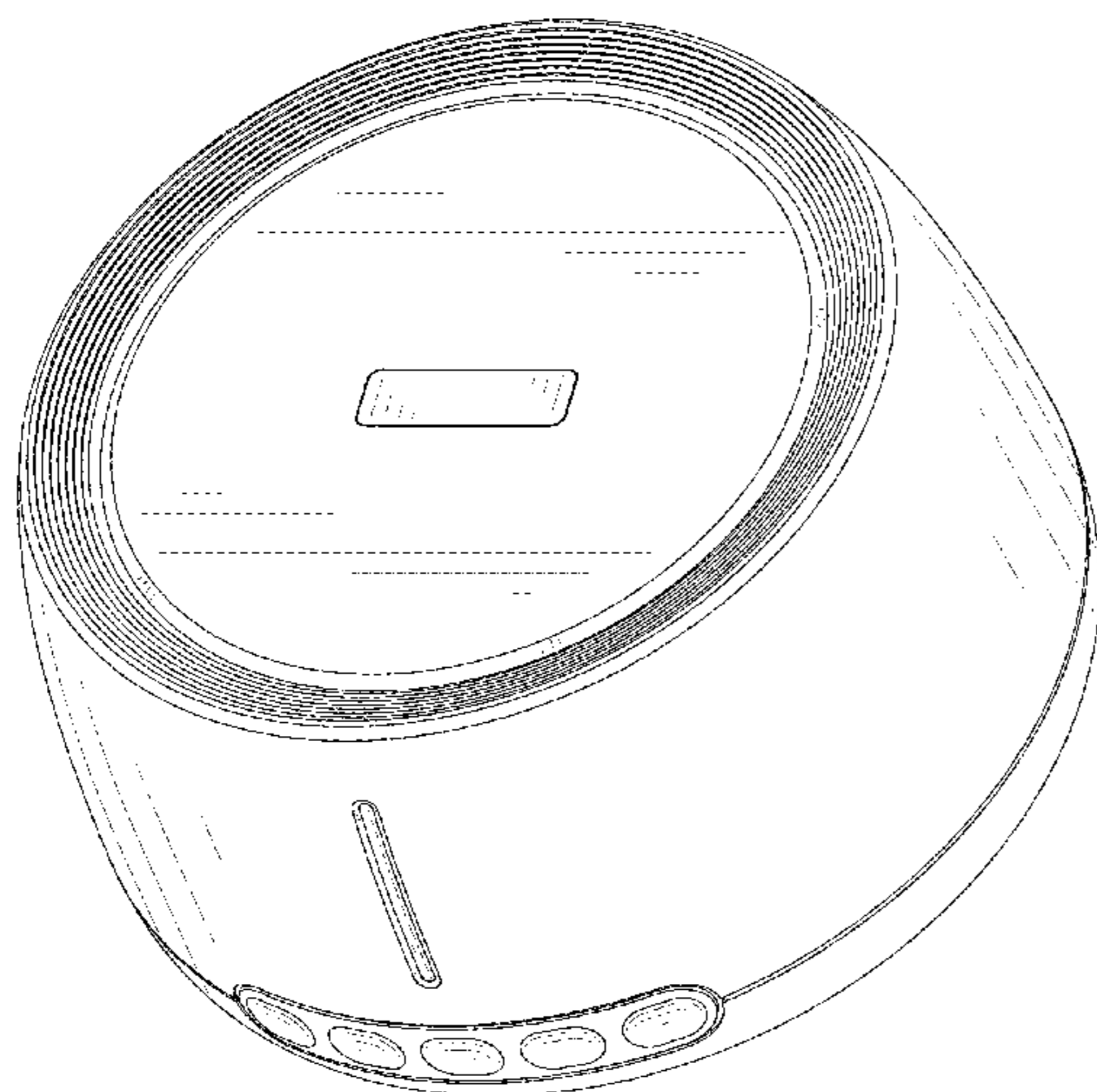
The ornamental design for a white noise machine, as shown  
and described.

**DESCRIPTION**

FIG. 1 is a perspective view of a white noise machine  
showing my new design;  
FIG. 2 is a front elevational view thereof;  
FIG. 3 is a rear elevational view thereof;  
FIG. 4 is a left side elevational view thereof;  
FIG. 5 is a right side elevational view thereof;  
FIG. 6 is a top plan view thereof; and,  
FIG. 7 is a bottom plan view thereof.  
The broken lines are for the purpose of illustrating portions  
of the white noise machine and form no part of the claimed  
design.

**1 Claim, 7 Drawing Sheets**

- (56) **References Cited**  
U.S. PATENT DOCUMENTS  
D288,560 S \* 3/1987 Anderson ..... D14/212  
D710,826 S \* 8/2014 Holzer ..... D14/216  
D714,248 S \* 9/2014 Chang ..... D14/140  
D740,258 S \* 10/2015 Yu ..... D14/216  
D746,166 S \* 12/2015 Li ..... D10/104.1  
D752,014 S \* 3/2016 Bolmstrand ..... D14/204  
D777,311 S \* 1/2017 Chen ..... D23/332  
D781,798 S \* 3/2017 Klepper ..... D14/125  
D794,556 S \* 8/2017 Liao ..... D13/107  
D811,361 S \* 2/2018 Peng ..... D14/149  
D814,436 S \* 4/2018 Wen ..... D14/150  
D829,690 S \* 10/2018 Chen ..... D14/216  
D843,419 S \* 3/2019 Vaclavik ..... D14/496



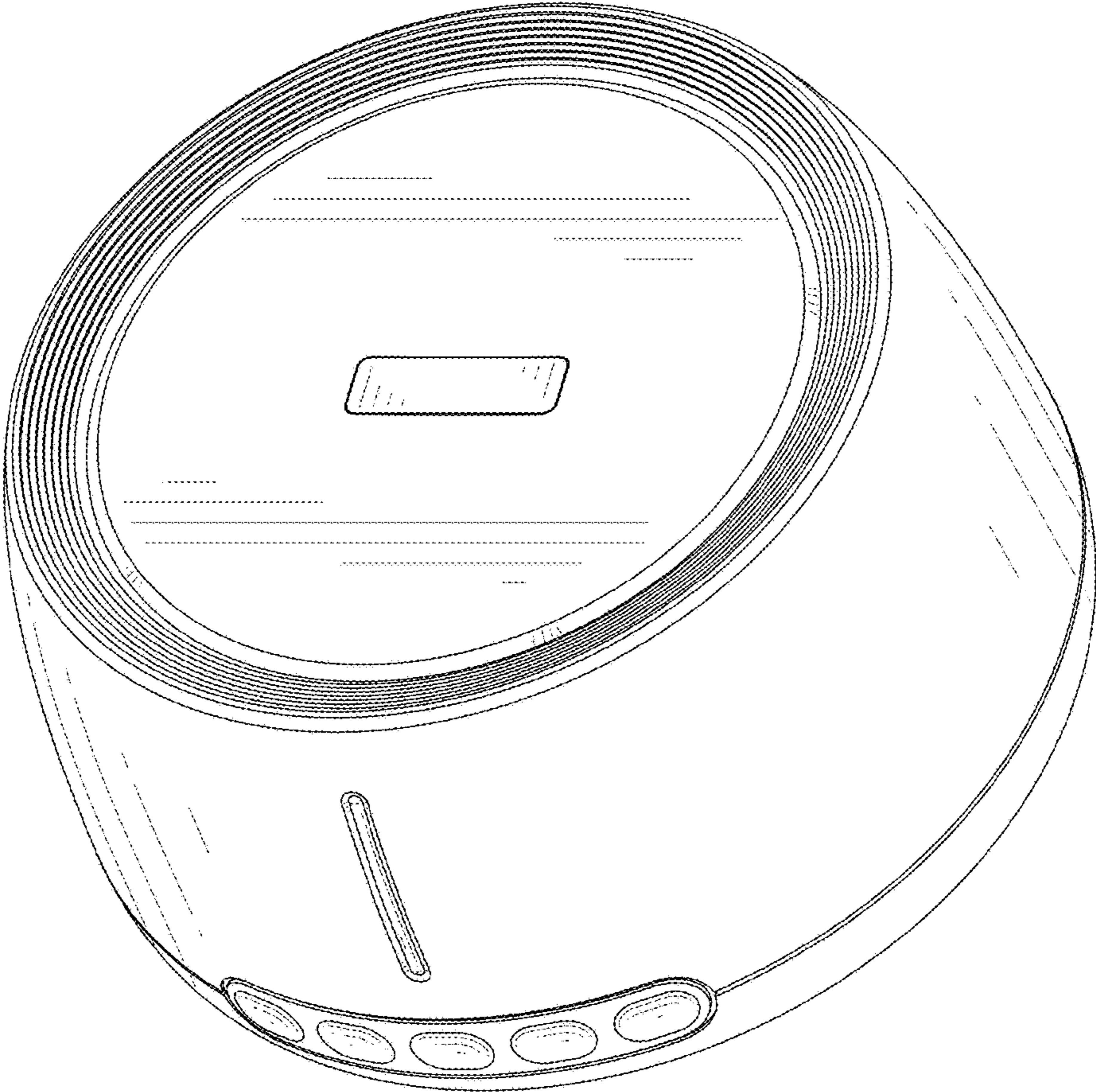


FIG. 1

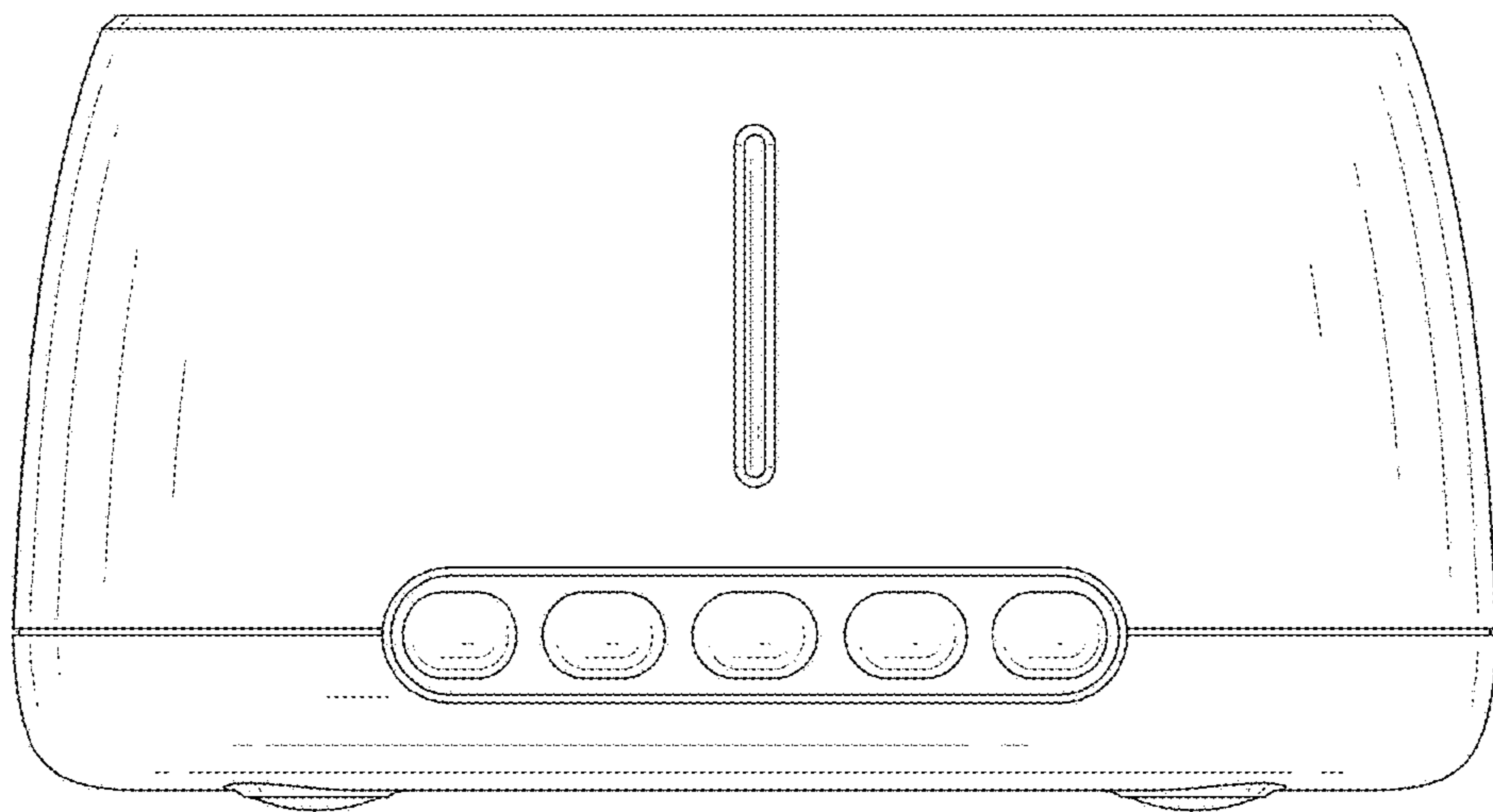


FIG. 2

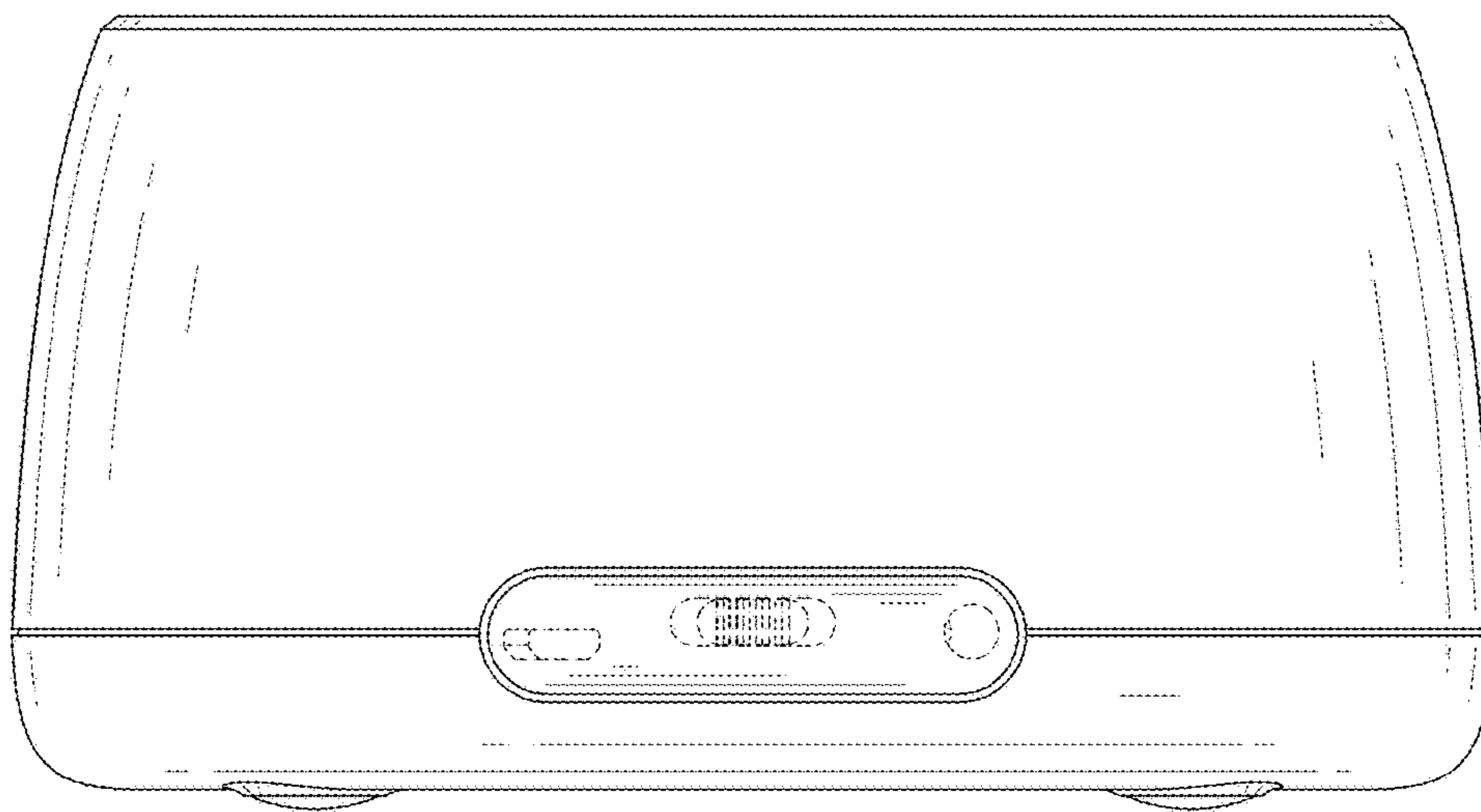


FIG. 3

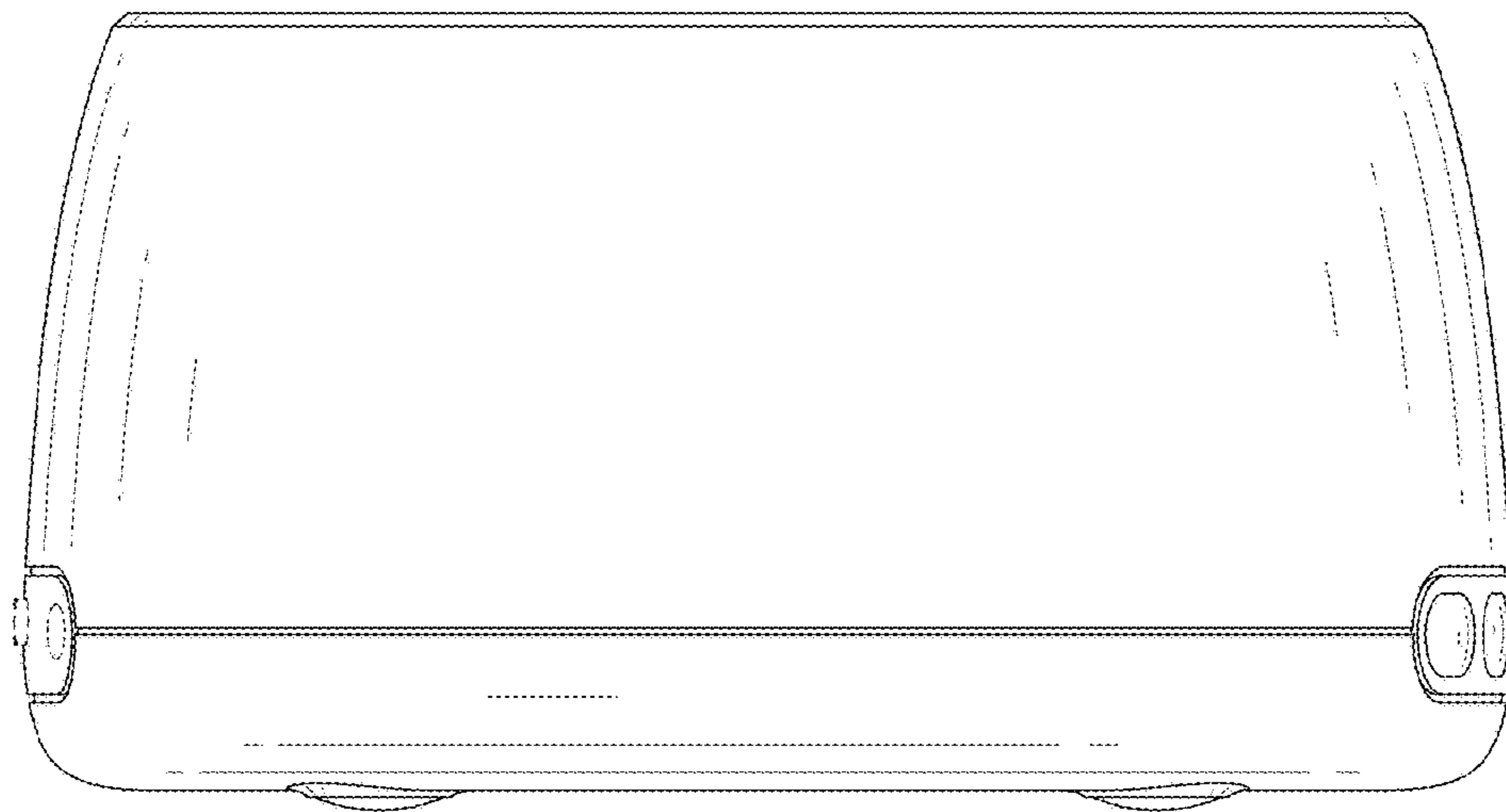


FIG. 4

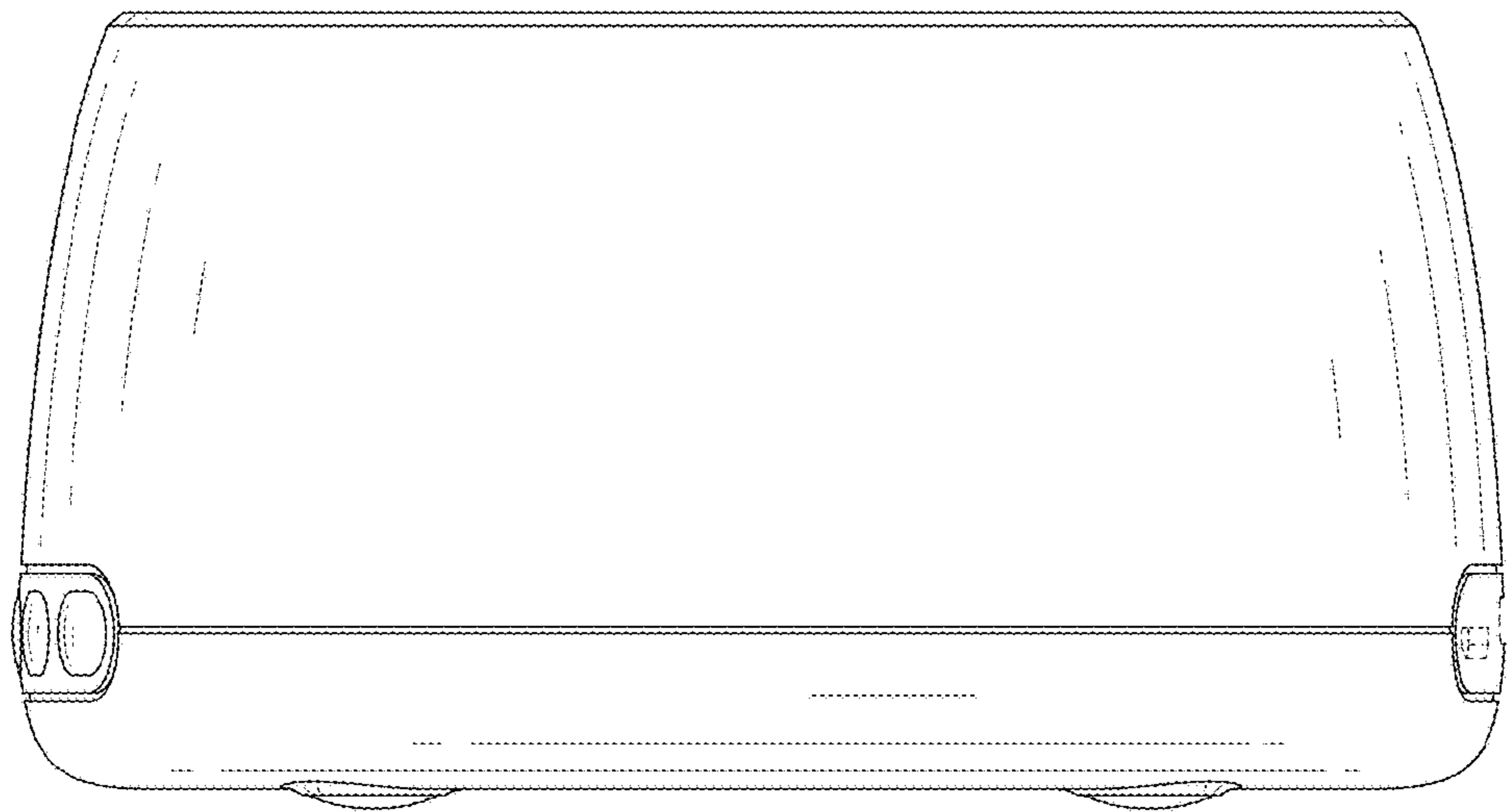


FIG. 5

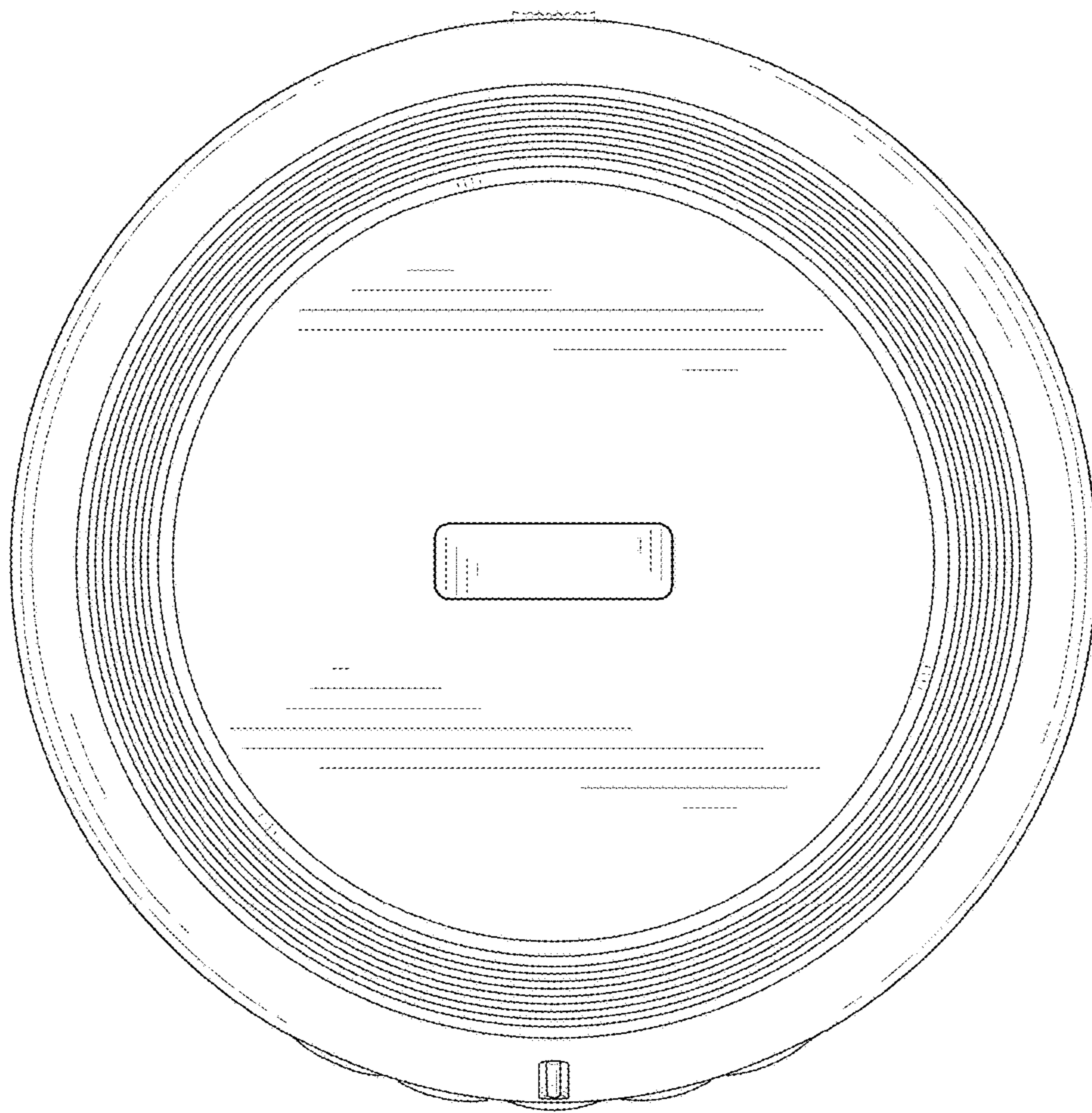


FIG. 6

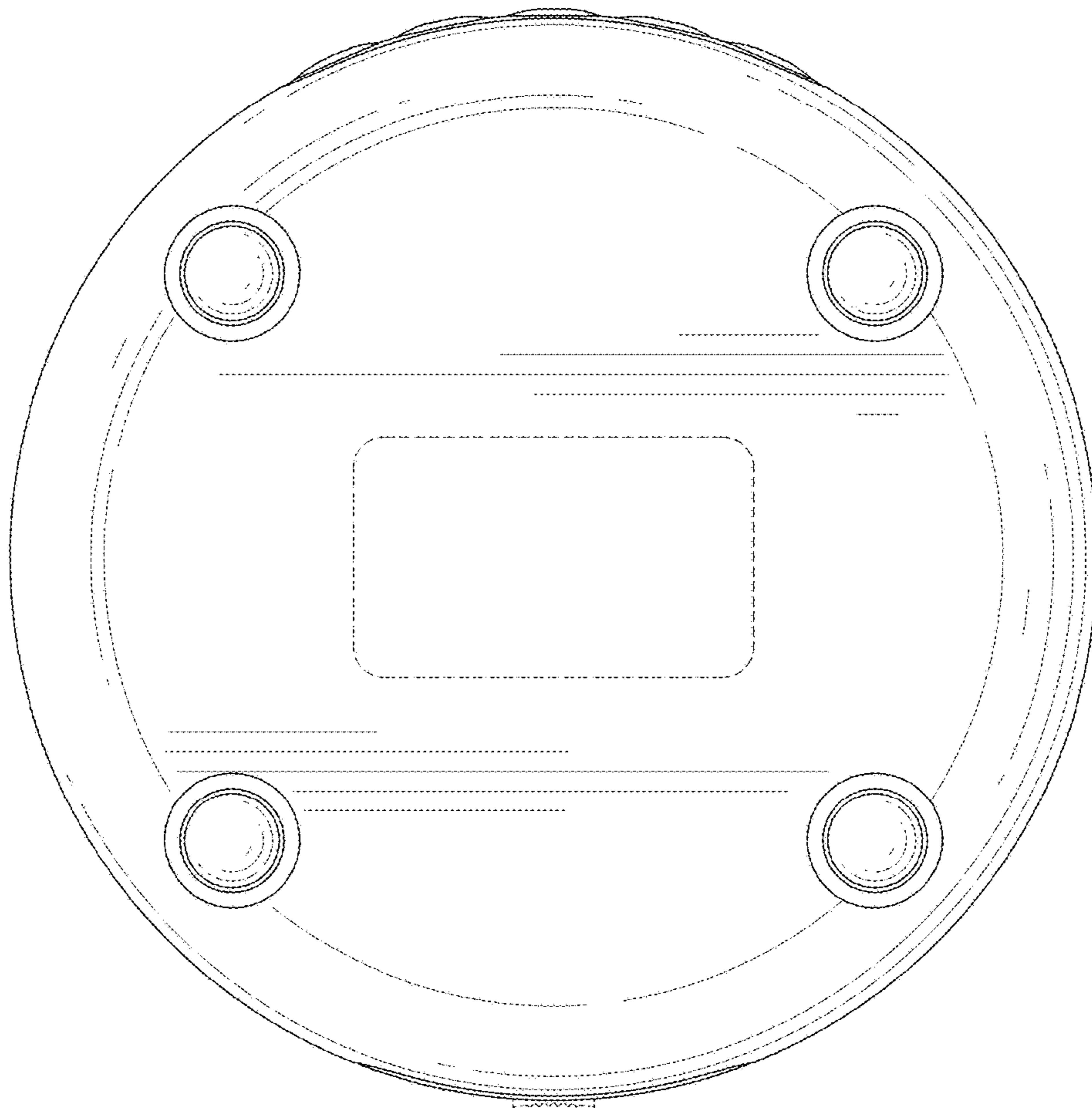


FIG. 7