



US00D865714S

(12) **United States Design Patent** (10) **Patent No.:** **US D865,714 S**  
**McManigal et al.** (45) **Date of Patent:** **\*\* Nov. 5, 2019**

(54) **SUBWOOFER**

(71) Applicant: **Vizio Inc**, Irvine, CA (US)  
(72) Inventors: **Scott McManigal**, Irvine, CA (US);  
**Howard Cheng**, Irvine, CA (US)

(73) Assignee: **Vizio Inc**, Irvine, CA (US)

(\*\*) Term: **15 Years**

(21) Appl. No.: **29/632,192**

(22) Filed: **Jan. 5, 2018**

(51) **LOC (12) Cl.** ..... **14-01**

(52) **U.S. Cl.**  
USPC ..... **D14/214**

(58) **Field of Classification Search**  
USPC ..... D14/167, 168, 170-172, 188, 194-198,  
D14/204, 207, 209.1, 210-216, 219, 221,  
D14/222, 224, 496; 181/143, 144, 147,  
181/148, 150, 153, 157, 198, 199;  
369/6-12; 381/300-303, 306, 332-334,  
381/336, 345, 361-364, 386-388;  
D34/1-11; 220/908, 908.1, 911, 913;  
D23/355-369, 332-336, 342, 351;  
261/DIG. 17, DIG. 42, DIG. 65, DIG. 88,  
261/DIG. 89; 392/386, 390, 394, 395,  
392/397; 239/34, 53, 55, 56, 326;  
D26/9, 10, 24; D28/5, 6  
CPC ..... B60R 11/0217; G06F 1/1688; G10K 9/22;  
G10K 11/004; H03F 1/327; H04M 1/03;  
H04M 1/035; H04N 5/642; H04N  
21/4852; H04S 3/00; H04S 7/30; H04R  
1/02; H04R 1/06; H04R 1/021; H04R  
1/025; H04R 1/026; H04R 1/028; H04R  
1/105; H04R 1/323; H04R 1/403; H04R  
1/2803; H04R 1/2834; H04R 5/02; H04R  
7/20; H04R 9/06; H04R 9/025; H04R  
2201/021; H04R 2400/00; H04R 2400/07;  
H04R 2499/11; H04R 2499/13; H04R  
2499/15

See application file for complete search history.

(56) **References Cited**

U.S. PATENT DOCUMENTS

D384,668 S \* 10/1997 Yoneda ..... D14/214  
D392,974 S \* 3/1998 Fenner ..... D14/214  
(Continued)

FOREIGN PATENT DOCUMENTS

JP 2018164243 \* 10/2018 ..... H04R 1/02

OTHER PUBLICATIONS

Vizio SB36512-F6 5.1.2-Channel Dolby Atmos Sound Bar System, Hdgear.HighDefDigest.com, Review Date Dec. 5, 2018 by Steven Cohen, [online], [site visited May 22, 2019]. URL: <https://hdgear.highdefdigest.com/67228/viziosb36512f6512channeldolbyatmossoundbarsystem.html> (Year: 2018).\*

(Continued)

*Primary Examiner* — T Chase Nelson  
*Assistant Examiner* — Jonathan J. Han  
(74) *Attorney, Agent, or Firm* — Law Office of Scott C Harris, Inc

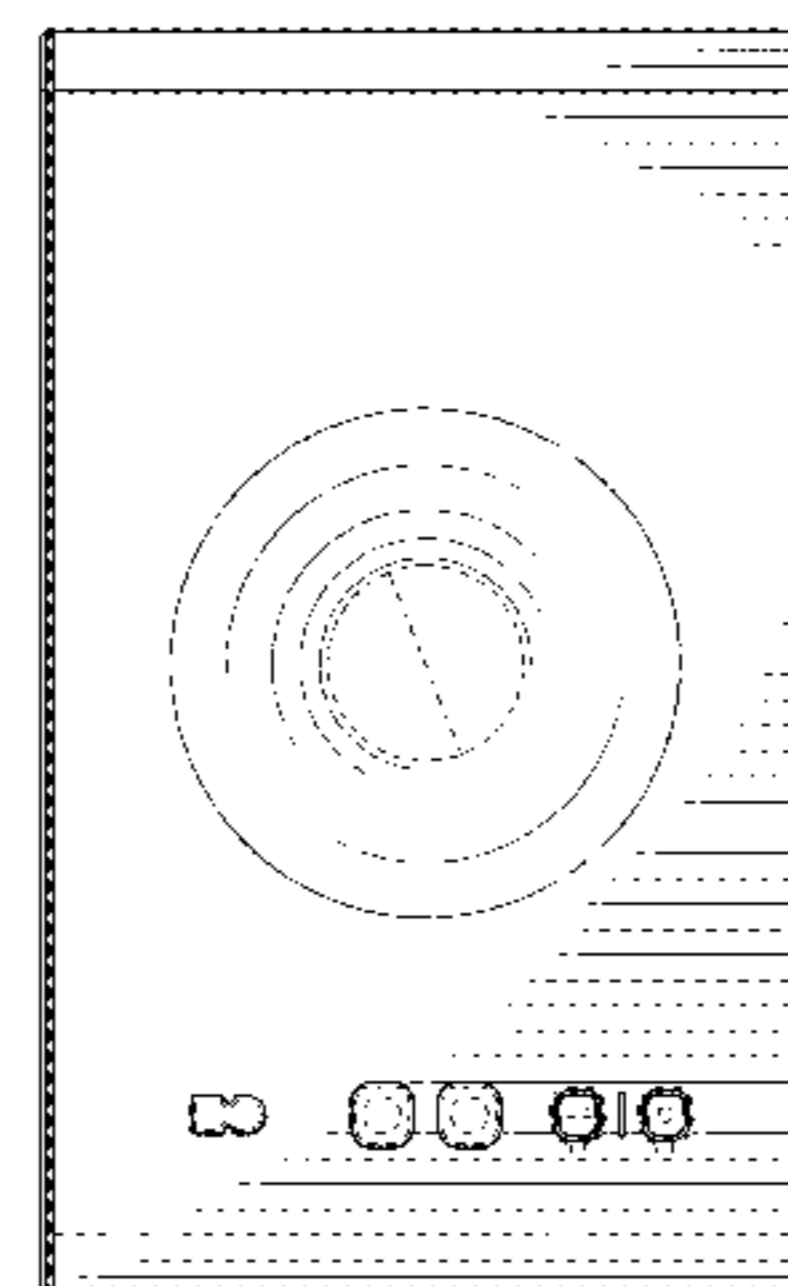
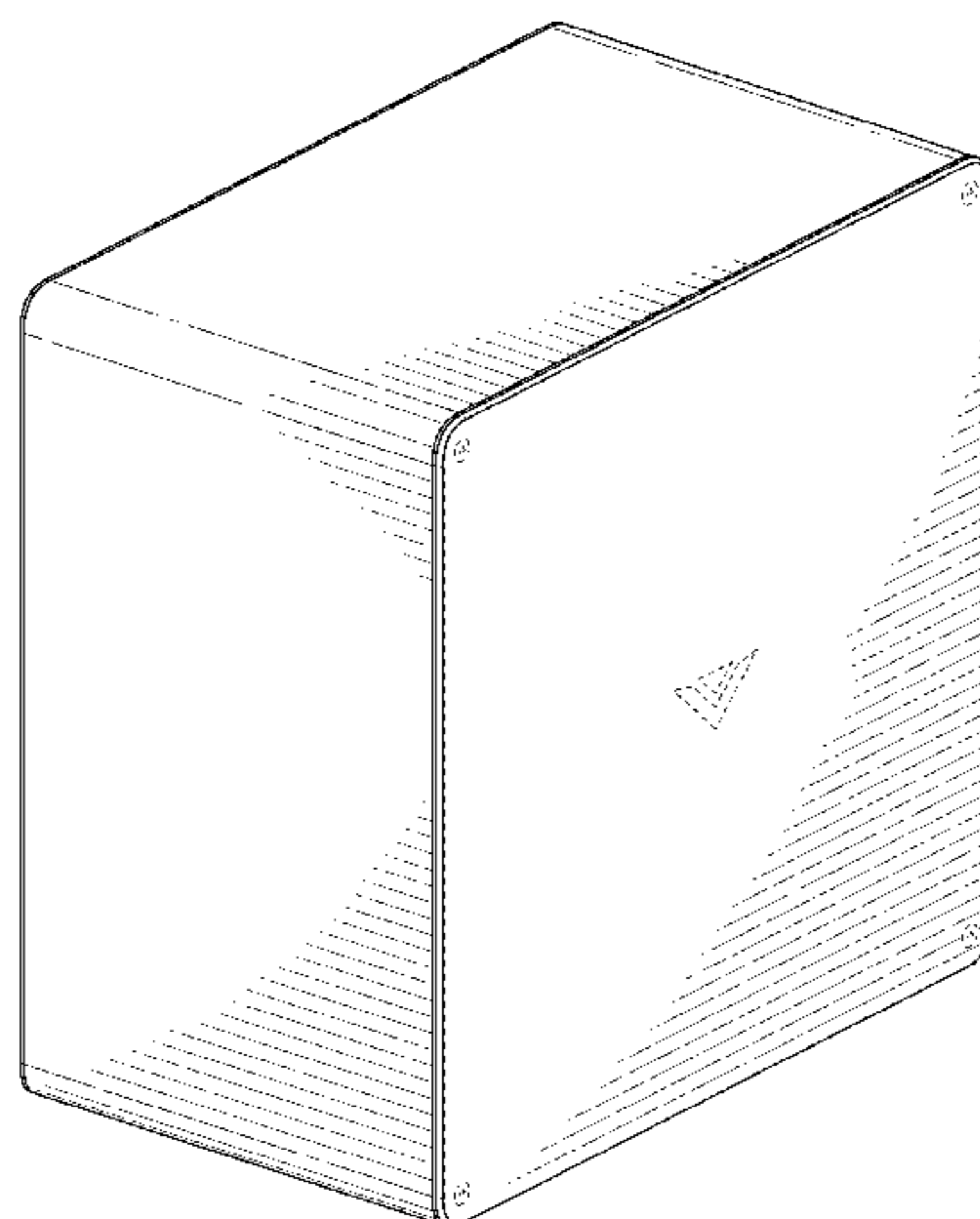
(57) **CLAIM**

The ornamental design for a subwoofer, as shown and described.

**DESCRIPTION**

FIG. 1 shows a first perspective view of the subwoofer; FIG. 2 shows a front view of the subwoofer; FIG. 3 shows a rear view of the subwoofer; FIG. 4 shows a first side view of the subwoofer; FIG. 5 shows a second side view of the subwoofer; FIG. 6 shows a top view of the subwoofer; FIG. 7 shows a bottom view of the subwoofer; and, FIG. 8 shows a second perspective view of the subwoofer. The portions shown in broken lines form no part of the claimed design.

**1 Claim, 6 Drawing Sheets**



(56)

References Cited

U.S. PATENT DOCUMENTS

D392,976 S \* 3/1998 Fenner ..... D14/211  
 D439,239 S \* 3/2001 Ito ..... D14/214  
 D476,312 S \* 6/2003 Harris ..... D14/214  
 D501,199 S \* 1/2005 Wang ..... D14/214  
 D533,541 S \* 12/2006 Motoishi ..... D14/215  
 D538,262 S \* 3/2007 Chen ..... D14/214  
 D578,108 S \* 10/2008 Shih ..... D14/214  
 D585,051 S \* 1/2009 Marchand ..... D14/214  
 D624,047 S \* 9/2010 Kim ..... D14/215  
 D624,048 S \* 9/2010 Kim ..... D14/215  
 D638,401 S \* 5/2011 Woo ..... D14/214  
 D638,824 S \* 5/2011 Hotta ..... D14/215  
 D645,453 S \* 9/2011 Kim ..... D14/215  
 D657,777 S \* 4/2012 Jursch ..... D14/215  
 D671,527 S \* 11/2012 Lee ..... D14/214  
 D672,750 S \* 12/2012 Lee ..... D14/215  
 D710,327 S \* 8/2014 McManigal ..... D14/214  
 D716,264 S \* 10/2014 Park ..... D14/215  
 D716,765 S \* 11/2014 Kim ..... D14/215  
 D727,295 S \* 4/2015 Gan ..... D14/214  
 D727,296 S \* 4/2015 Hartmann ..... D14/215  
 D748,604 S \* 2/2016 Hartmann ..... D14/214  
 D750,594 S \* 3/2016 Wong ..... D14/214

D754,097 S \* 4/2016 Pineau ..... D14/204  
 D759,631 S \* 6/2016 Espinosa ..... D14/215  
 D777,704 S \* 1/2017 Helwig ..... D14/215  
 D788,068 S \* 5/2017 Pineau ..... D14/204  
 D788,069 S \* 5/2017 Pineau ..... D14/204  
 D830,991 S \* 10/2018 Sugiura ..... D14/204

OTHER PUBLICATIONS

Vizio SB46514-F6 Sound Bar Review, HomeTheaterHiFi.com, Tyler Stripko, Apr. 15, 2019, [online], [site visited May 22, 2019]. URL: <https://hometheaterhifi.com/reviews/speaker/soundbars/vizio-sb46514-f6-sound-bar-review/> (Year: 2019).\*

Vizio 36" 5.1.2 Home Theater Sound System with Dolby Atmos | SB36512-F6, Vizio.com, [online], [site visited May 22, 2019]. URL: <https://www.vizio.com/audio/home-theater/sb36512f6.html> (Year: 2019).\*

Vizio Home Theater Sound System with Dolby Atmos review: This speaker covers all the bases, TechHive.com, By Theo Nicolakis, Sep. 18, 2018 05:00 AM PT, [online], [site visited May 22, 2019]. URL: <https://www.techhive.com/article/3304982/vizio-sb36512-f6-soundbar-review.html> (Year: 2018).\*

\* cited by examiner

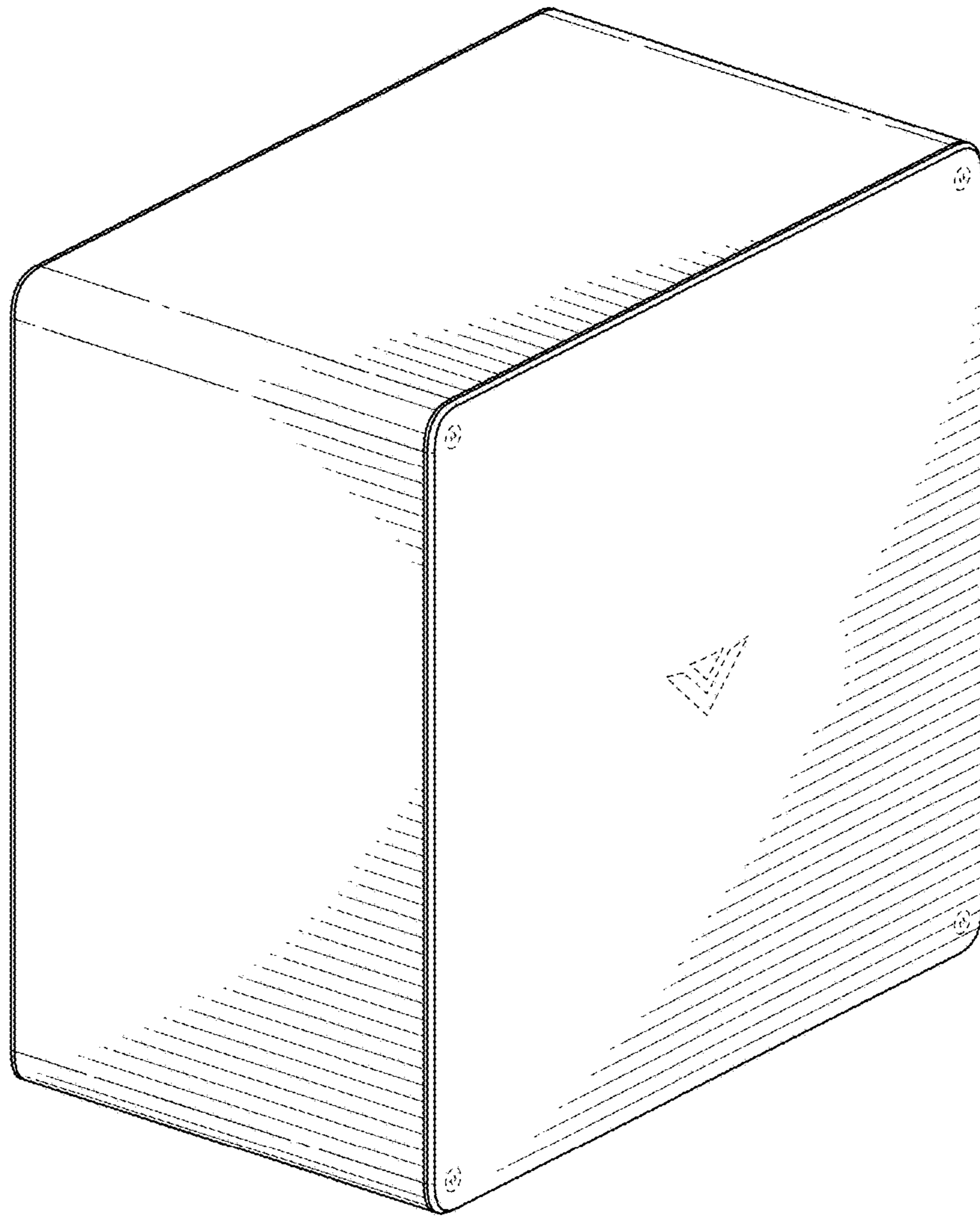


FIG. 1

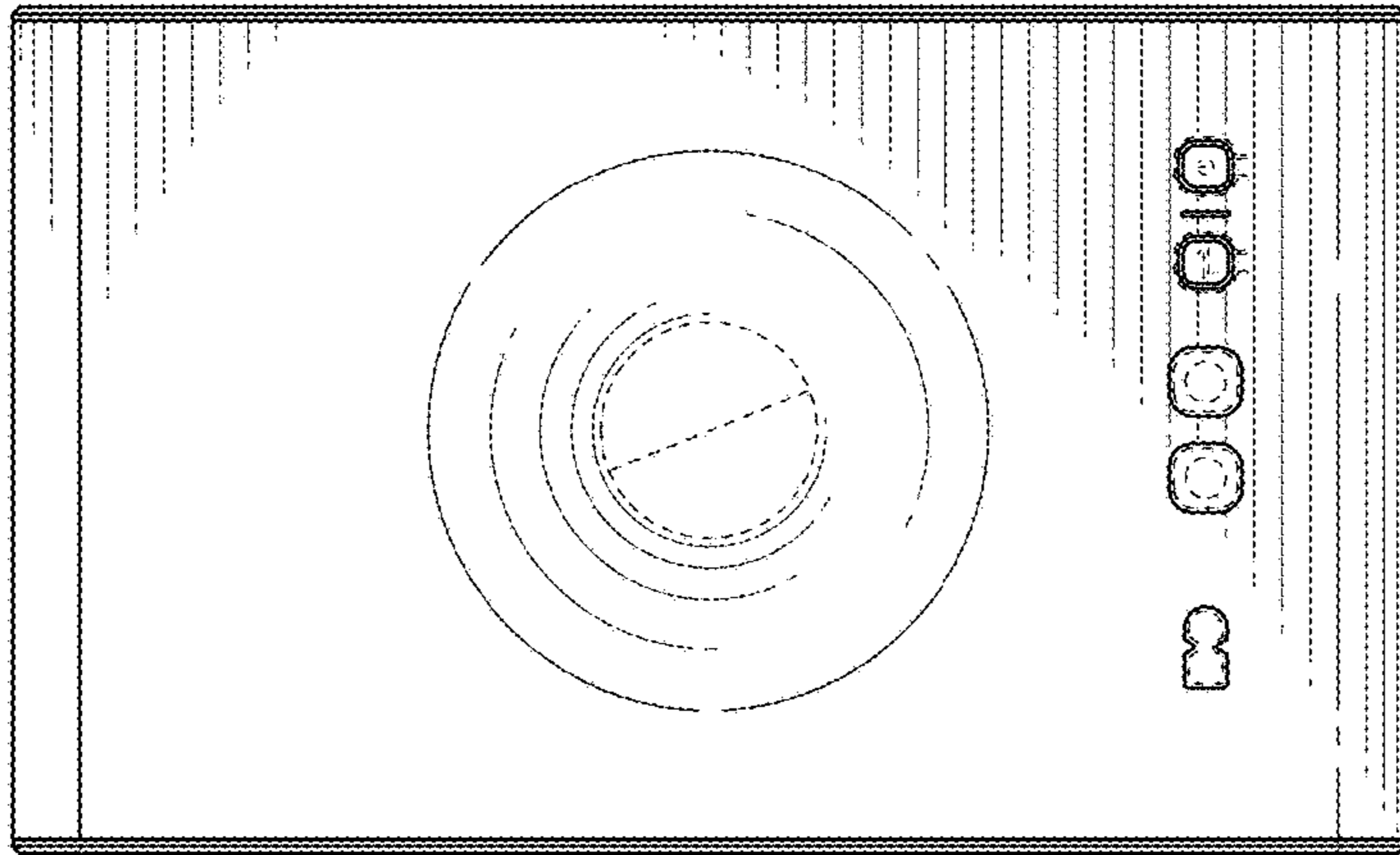


FIG. 3

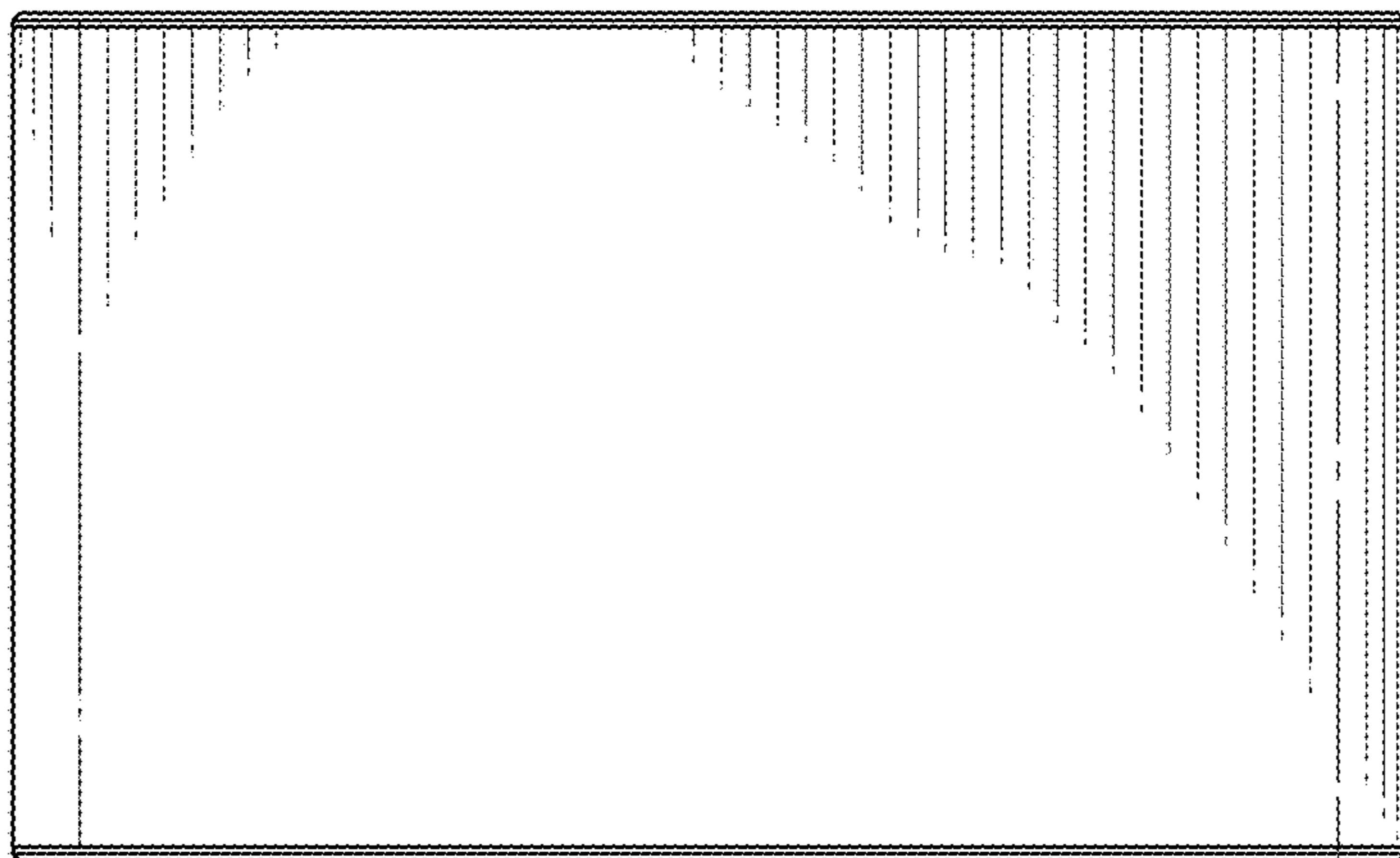


FIG. 2

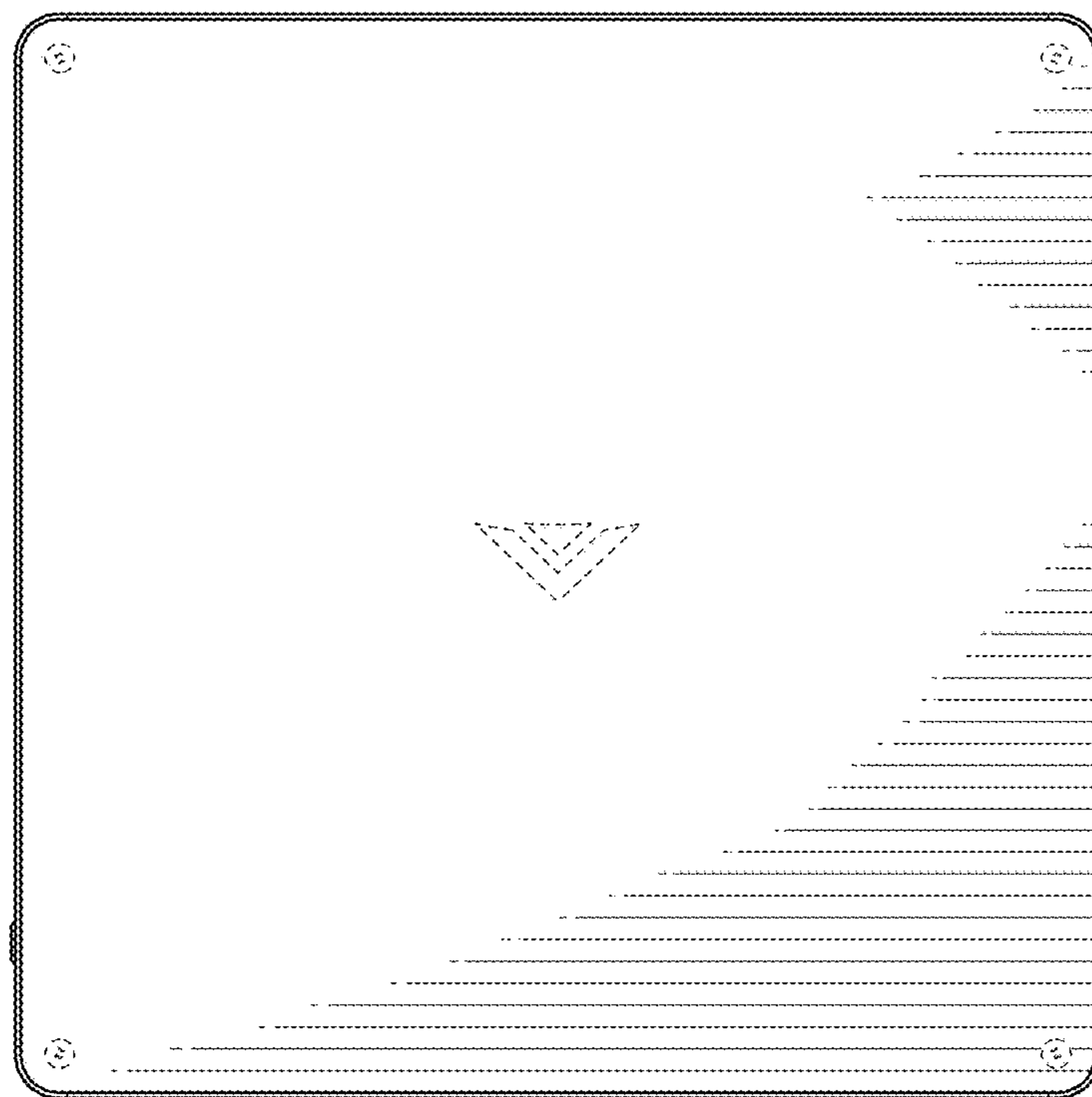


FIG. 4

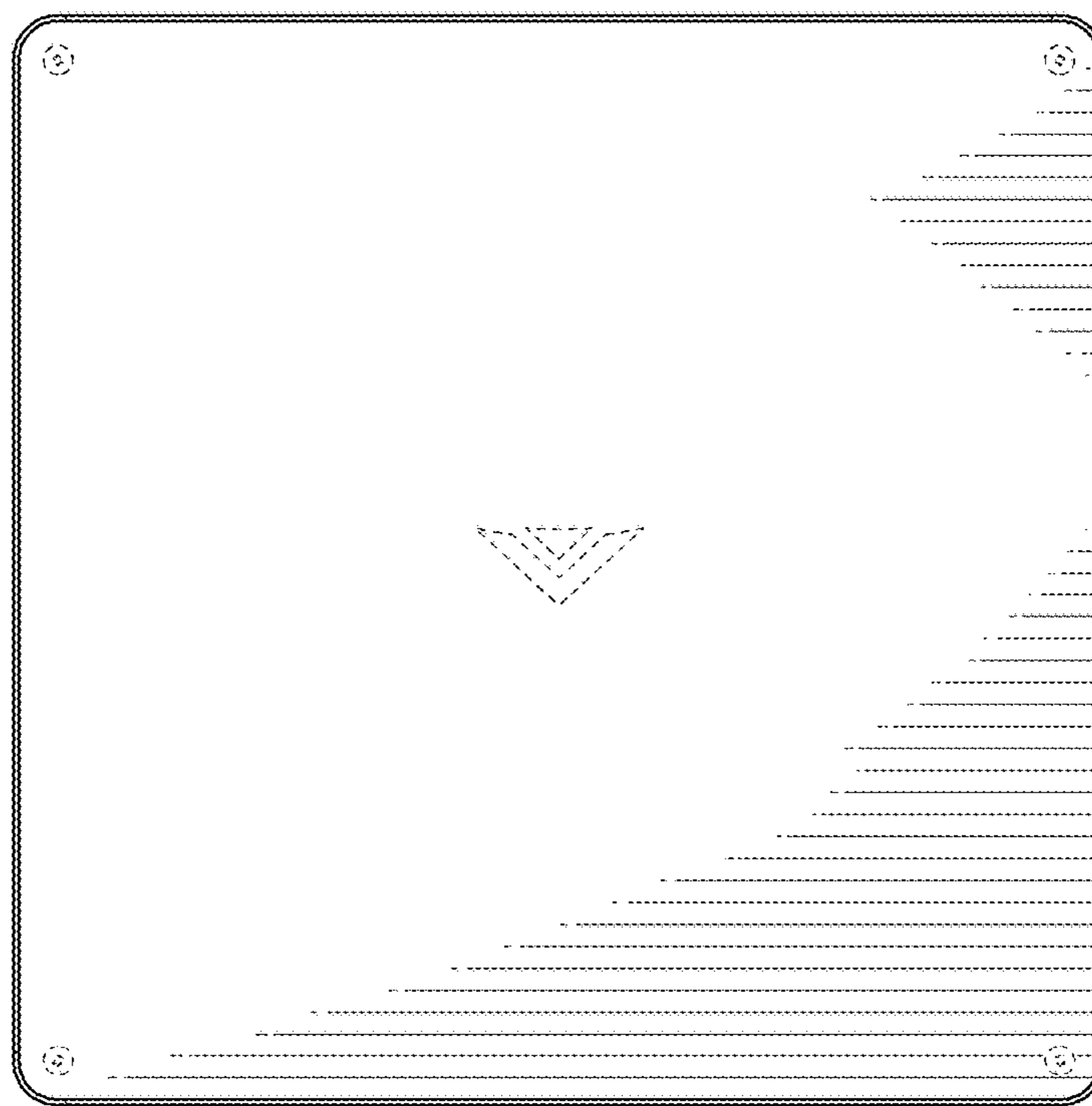


FIG. 5

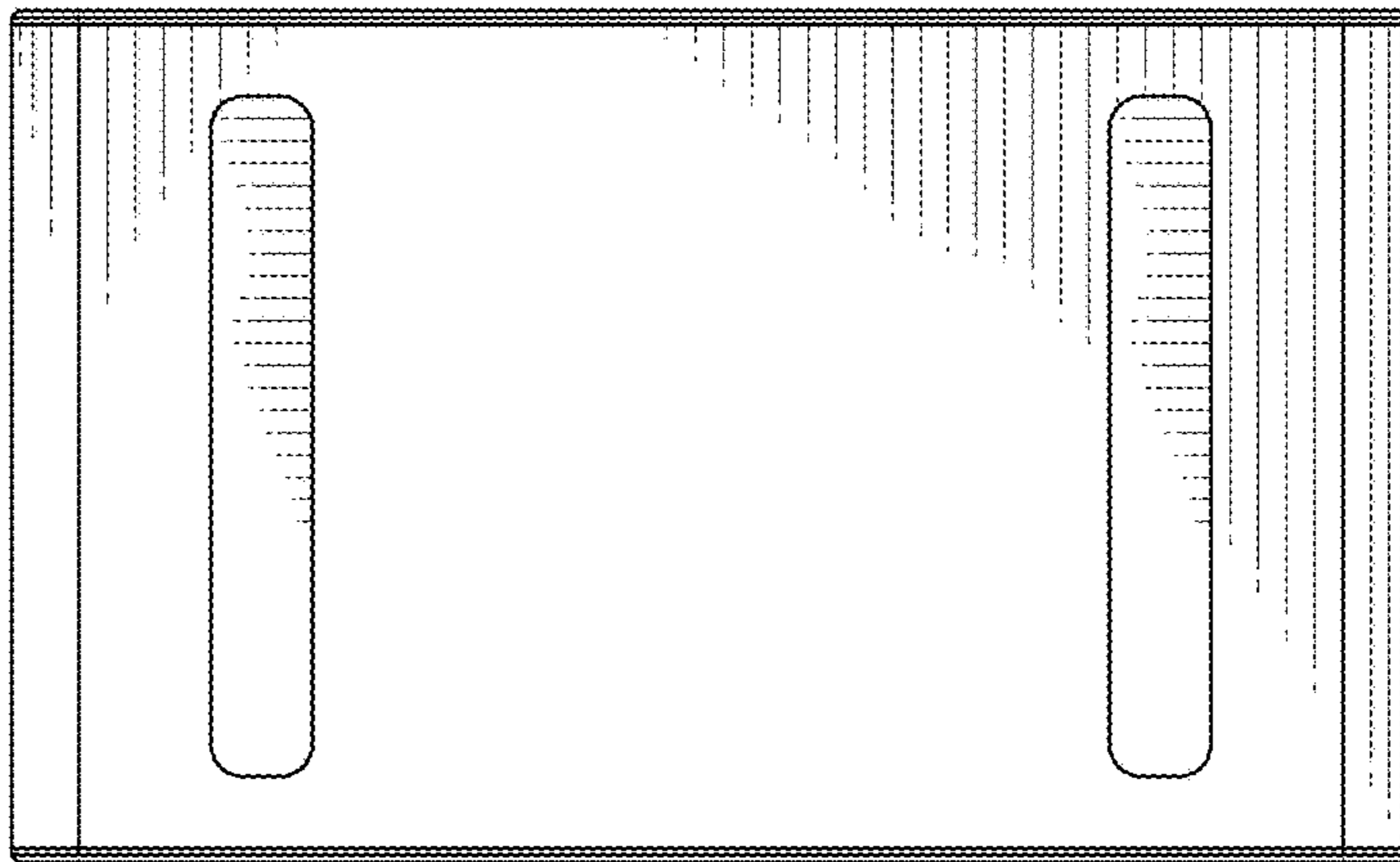


FIG. 7

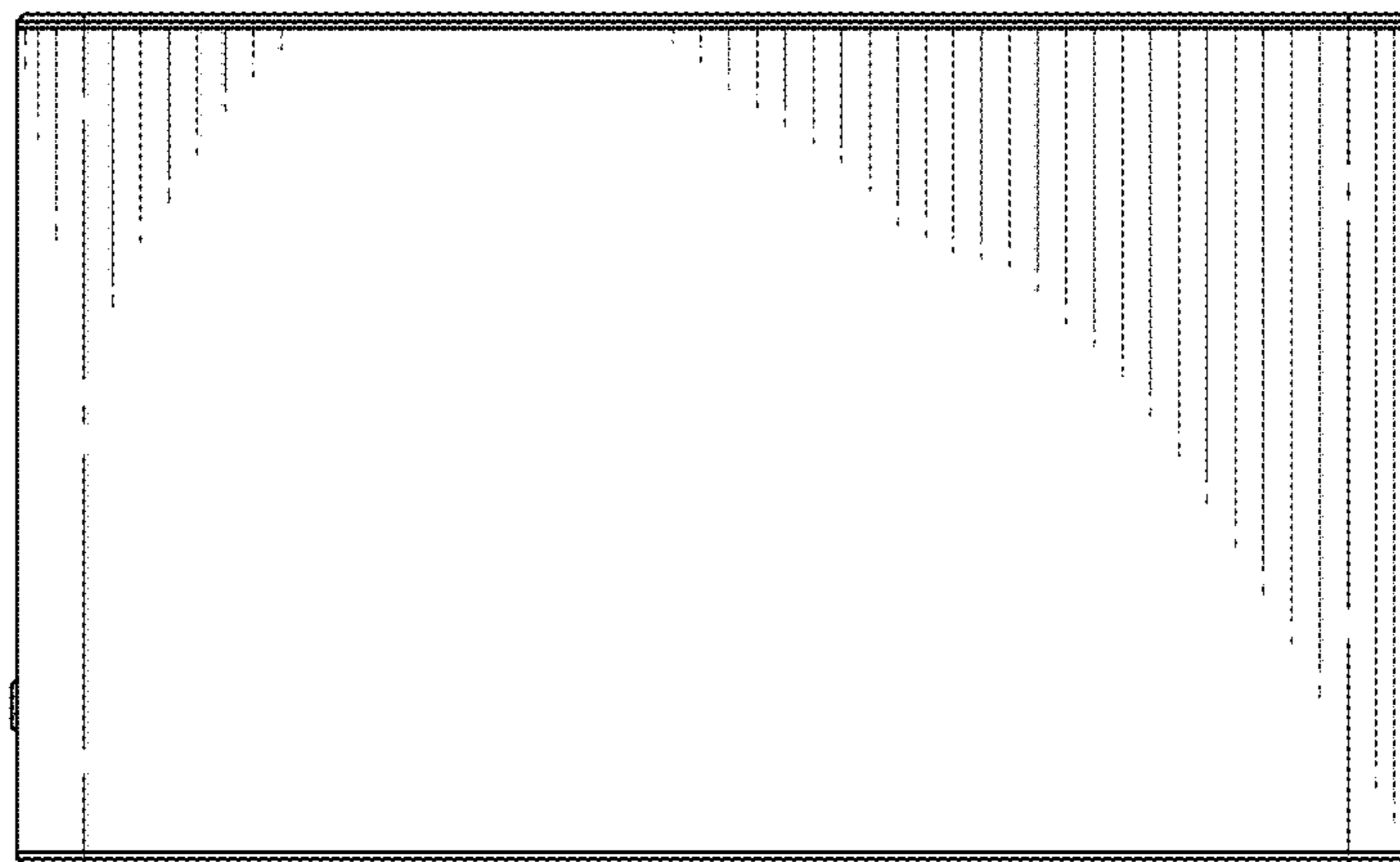


FIG. 6

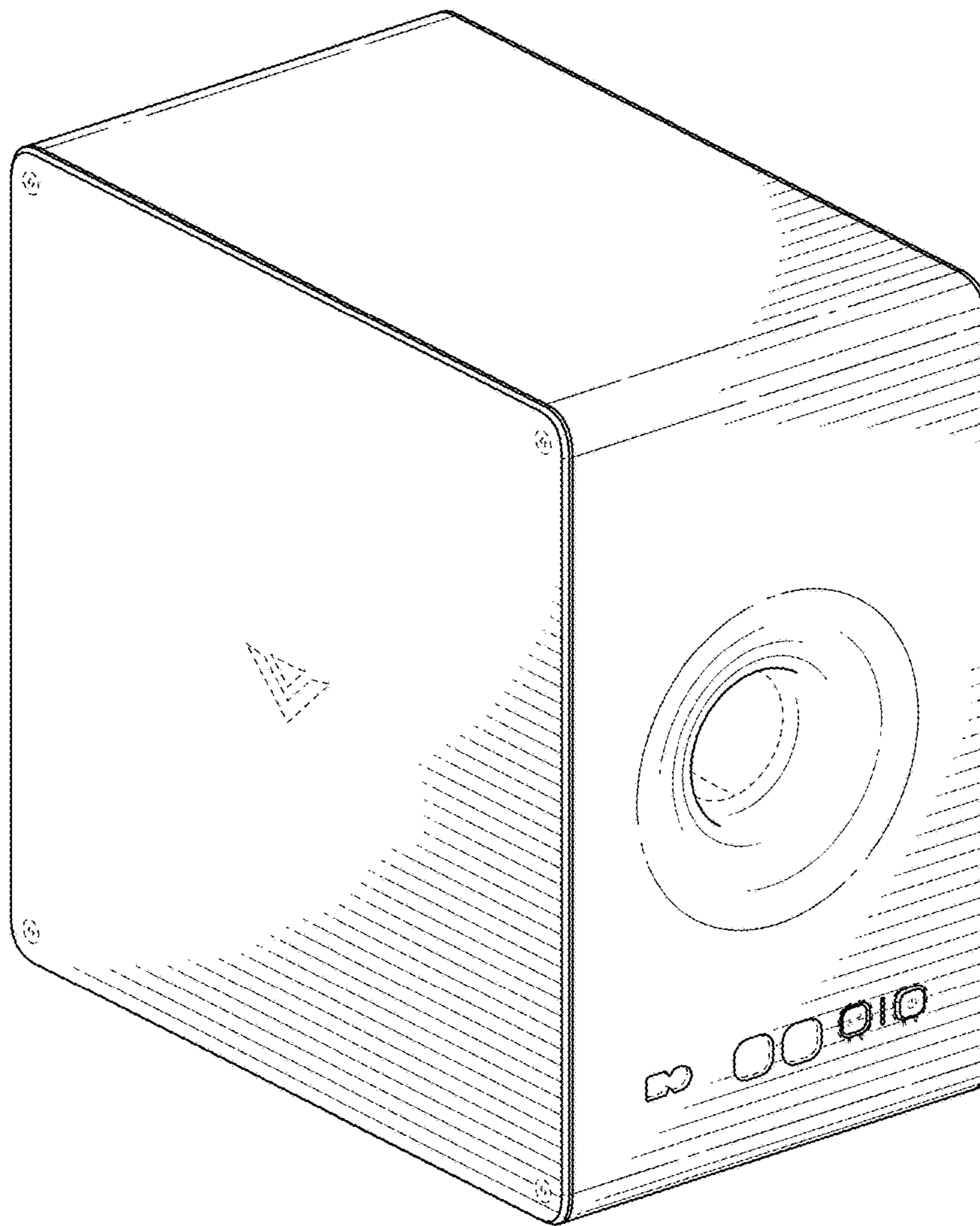


FIG. 8