

US00D865709S

(12) **United States Design Patent**
Gentle et al.

(10) **Patent No.:** **US D865,709 S**

(45) **Date of Patent:** **** Nov. 5, 2019**

(54) **PENDANT SPEAKER**

(71) Applicant: **RGB Systems, Inc.**, Anaheim, CA (US)

(72) Inventors: **Kate N. Gentle**, Anaheim, CA (US);
Andrew P. Belk, Anaheim, CA (US);
Angelo Anthony Terracina, Anaheim,
CA (US); **William C. Stewart, Jr.**,
Anaheim, CA (US)

(73) Assignee: **RGB Systems, Inc.**, Anaheim, CA (US)

(**) Term: **15 Years**

(21) Appl. No.: **29/629,216**

(22) Filed: **Dec. 12, 2017**

(51) **LOC (12) Cl.** **14-01**

(52) **U.S. Cl.**
USPC **D14/209**

(58) **Field of Classification Search**
USPC ... D14/209, 209.1, 216, 204, 211, 212, 215,
D14/496, 188; D9/449; 181/150, 151,
181/153, 141, 144, 146, 152, 148, 252,
181/156; 381/380, 381, 386, 174;
D26/138, 154
CPC . H05K 5/02; H05K 5/00; H04R 19/02; H04R
25/00; H04R 1/20; H04R 1/02; H04R
1/24; H04R 1/26

See application file for complete search history.

(56) **References Cited**

U.S. PATENT DOCUMENTS

- 2,096,192 A * 10/1937 Moore H04R 1/323
181/153
- 3,327,808 A * 6/1967 Shaper H04R 1/2857
181/153
- 3,371,742 A * 3/1968 Norton H04R 1/345
181/153
- 3,547,220 A * 12/1970 Watson H04R 1/2857
181/171

- D223,255 S * 4/1972 Boldt D14/212
- 4,574,906 A * 3/1986 White H04R 1/26
181/145
- 4,620,317 A * 10/1986 Anderson H04R 1/345
181/155
- D292,702 S * 11/1987 White D14/212
- D297,836 S * 9/1988 Nelson D14/209
- D303,970 S * 10/1989 Collins D14/216
- 5,133,428 A * 7/1992 Perrson B60R 11/0217
181/153
- D342,738 S * 12/1993 Hwang D14/213

(Continued)

Primary Examiner — Paula Allen Greene

(74) *Attorney, Agent, or Firm* — Knobbe, Martens, Olson & Bear LLP

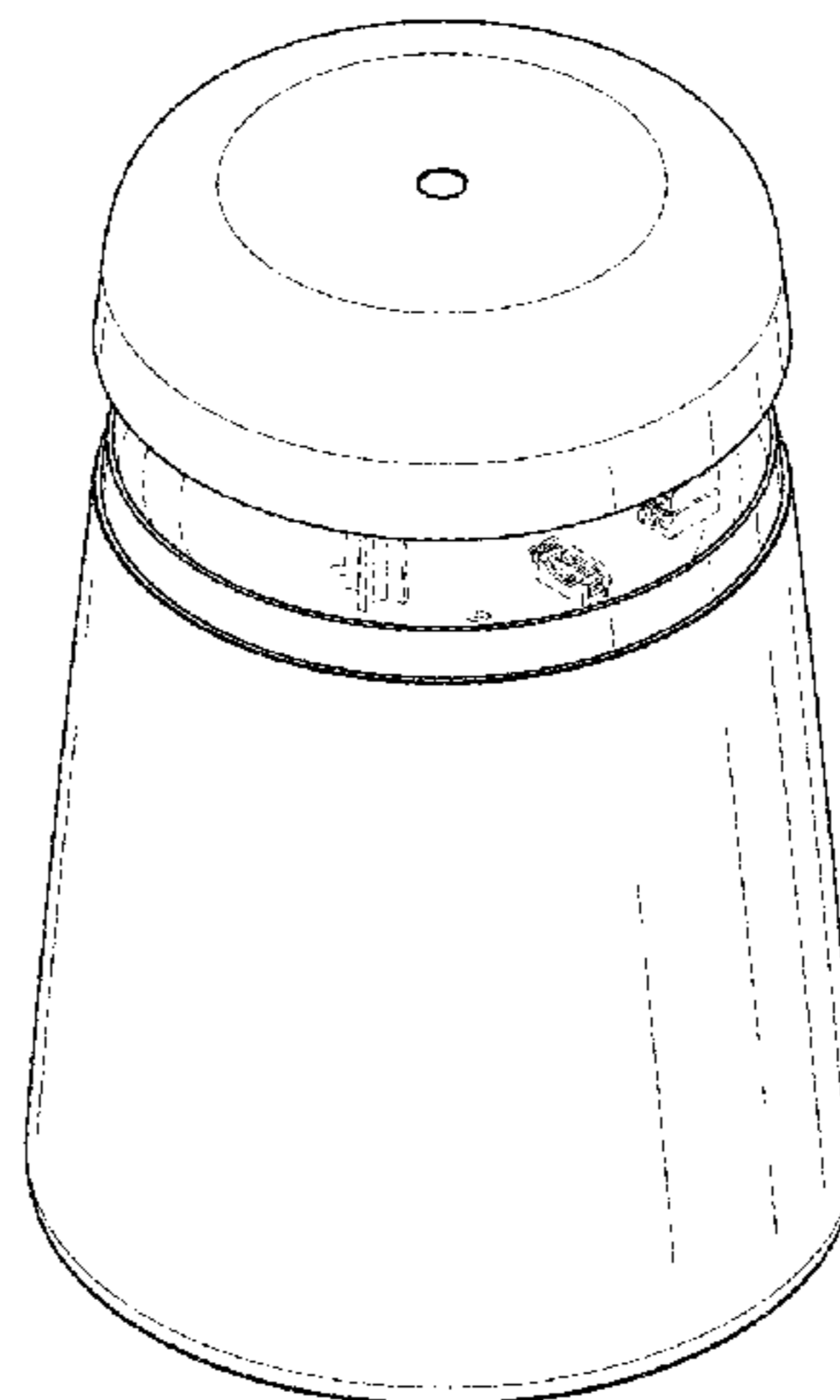
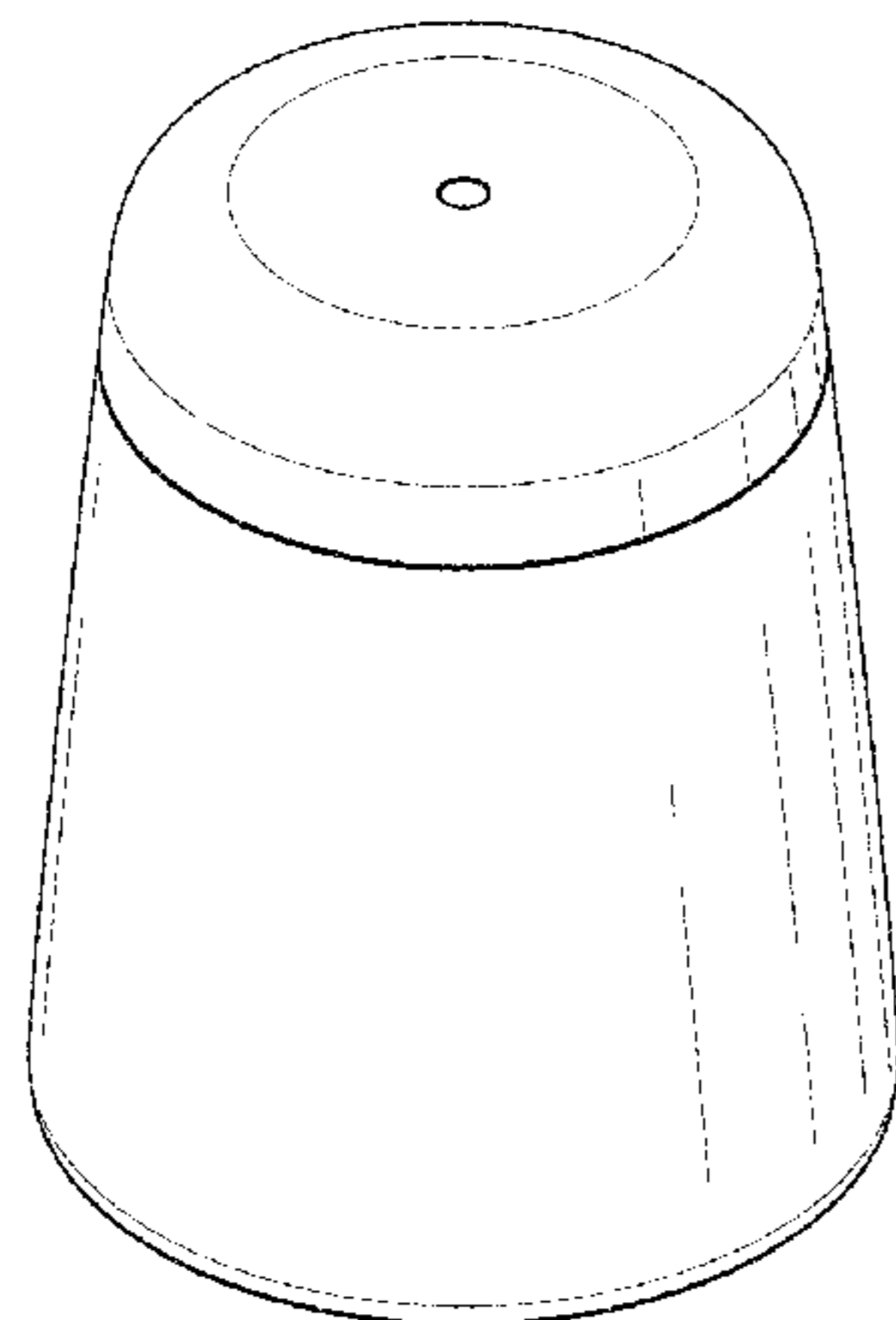
(57) **CLAIM**

The ornamental design for a pendant speaker, as shown and described.

DESCRIPTION

FIG. 1 is a top perspective view of a pendant speaker embodying my new design;
 FIG. 2 is a bottom perspective view thereof;
 FIG. 3 is a top view thereof;
 FIG. 4 is a bottom view thereof;
 FIG. 5 is a side view thereof, the pendant speaker being symmetrical about a longitudinal axis thereof;
 FIG. 6 is a side view of the pendant speaker showing a cap detached from a body of the pendant speaker;
 FIG. 7 is a perspective top view of the cap detached from the body shown in FIG. 6;
 FIG. 8 shows a side view of the pendant speaker attached to a disclaimed cable;
 FIG. 9 is a top perspective view of the pendant speaker in FIG. 8 attached to a disclaimed a cable; and,
 FIG. 10 is a bottom perspective view of the pendant speaker in FIG. 8 attached to a disclaimed cable.
 The broken lines depict environment that forms no part of the claimed design.

1 Claim, 9 Drawing Sheets



(56)

References Cited

U.S. PATENT DOCUMENTS

D356,568 S *	3/1995	Ichikawa	D14/209	9,414,511 B2 *	8/2016	Roche	H05K 5/00
D364,165 S *	11/1995	Esslinger	D14/213	D767,535 S *	9/2016	Koo	D14/214
D388,791 S *	1/1998	McGreevy	D14/212	D770,418 S *	11/2016	Hong	D14/216
D482,021 S *	11/2003	Olson	D14/214	D771,019 S *	11/2016	Lee	D14/216
D484,490 S *	12/2003	Lewis	D14/216	D773,704 S *	12/2016	Pardo	D26/41
6,782,113 B1 *	8/2004	Handsaker	B63B 45/08	D780,160 S *	2/2017	Hinokio	D14/215
				181/150	D783,000 S *	4/2017	Koo	D14/209.1
D542,778 S *	5/2007	Harris, Jr.	D14/216	D791,735 S *	7/2017	Kalyuzhny	D14/209.1
D563,391 S *	3/2008	Skurdal	D14/172	D792,374 S *	7/2017	Kim	D14/204
D575,770 S *	8/2008	Lewis	D14/216	D798,839 S *	10/2017	Yeon	D14/216
D608,349 S *	1/2010	Wang	D14/216	D803,190 S *	11/2017	Lee	D14/216
D633,898 S *	3/2011	Seo	D14/216	D803,810 S *	11/2017	Lee	D14/216
D656,486 S *	3/2012	Parraga Gimeno	D14/216	D804,449 S *	12/2017	Cheney	D14/216
D691,587 S *	10/2013	Ferber	D14/216	D807,873 S *	1/2018	Seoc	D14/314
D692,898 S *	11/2013	Luijben	D14/447	D808,928 S *	1/2018	Schaal	D14/216
D695,713 S *	12/2013	Szymanski	D14/216	9,877,580 B2 *	1/2018	Stewart, Jr.	E04B 9/003
D714,248 S *	9/2014	Chang	D14/140	D810,045 S *	2/2018	Kim	D14/204
D714,923 S *	10/2014	Engelhard	D23/364	D810,049 S *	2/2018	Lee	D14/216
D719,137 S *	12/2014	Cheng	D14/216	D813,210 S *	3/2018	Benedetti	D14/230
D723,514 S *	3/2015	Lukic	D14/213	D817,924 S *	5/2018	Kim	D14/213
D735,163 S *	7/2015	Valeur	D14/216	D819,596 S *	6/2018	Sun	D14/211
D755,750 S *	5/2016	Chen	D14/172	D820,802 S *	6/2018	Hamann	D14/149
D755,756 S *	5/2016	Brunner	D14/216	D828,323 S *	9/2018	Demin	D14/172
D763,826 S *	8/2016	Devantier	D14/216	D829,689 S *	10/2018	Kim	D14/216
					D838,257 S *	1/2019	Manz	D14/216
					2017/0332166 A1 *	11/2017	Kikuchi	H04R 1/24

* cited by examiner

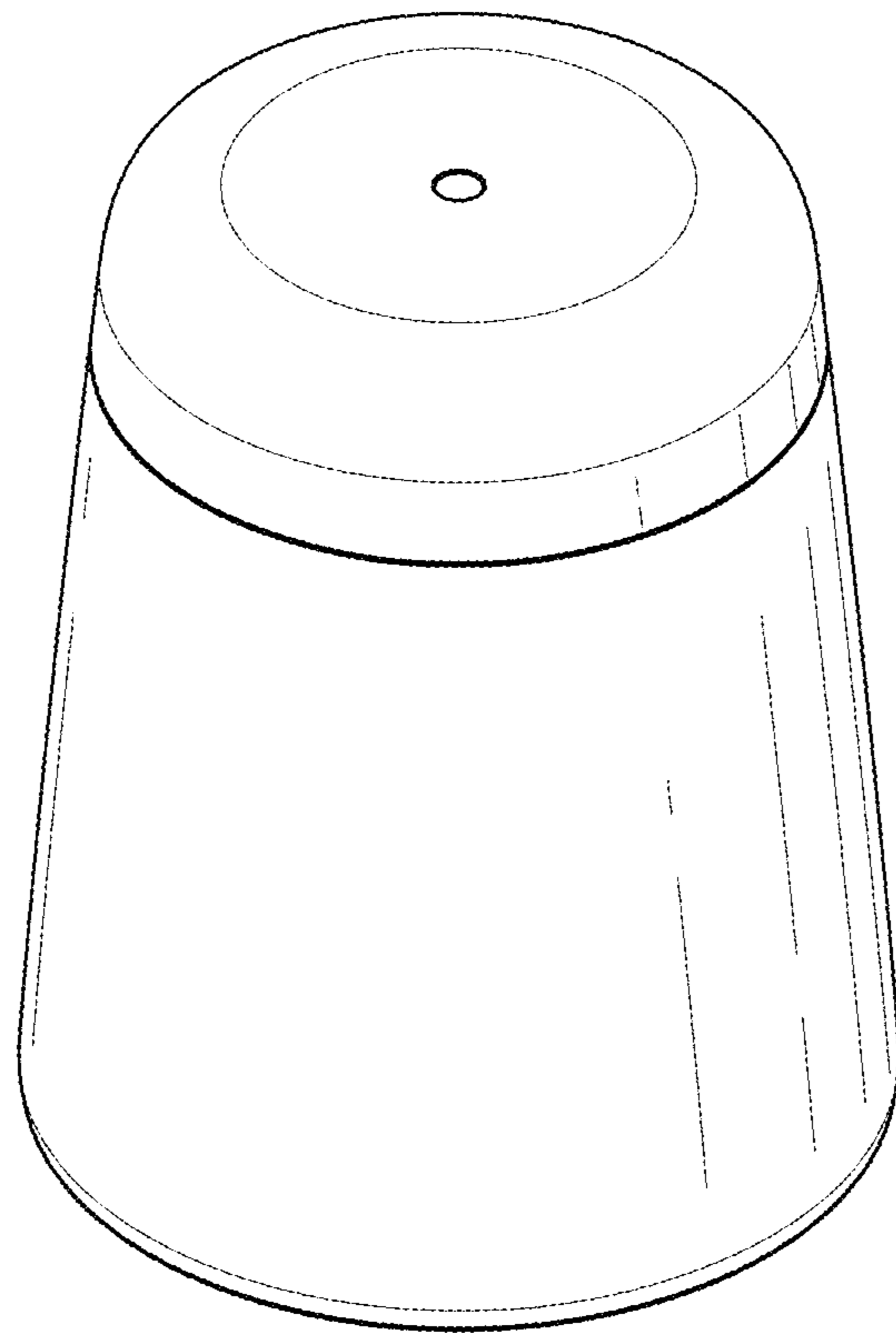


FIG. 1

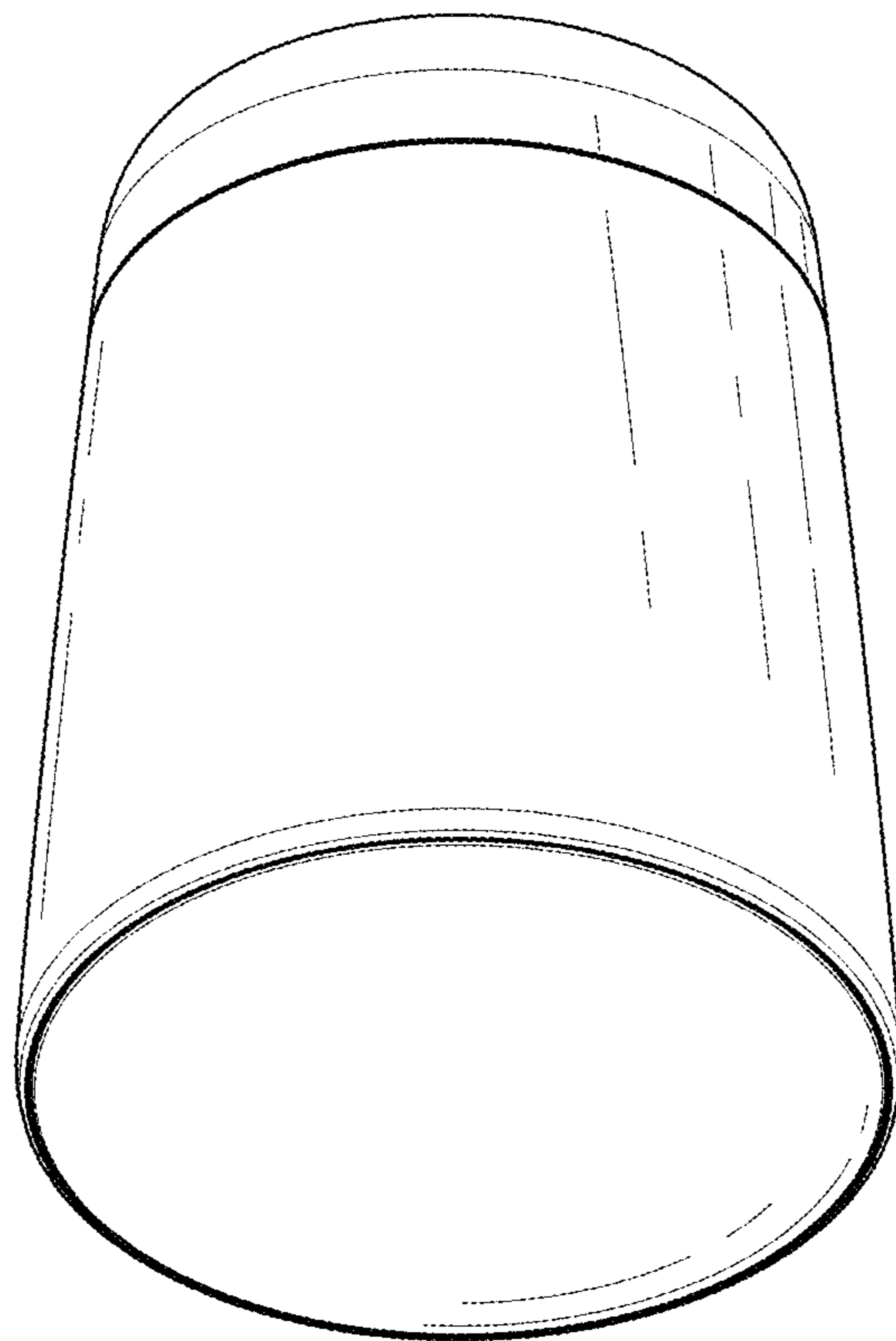


FIG. 2

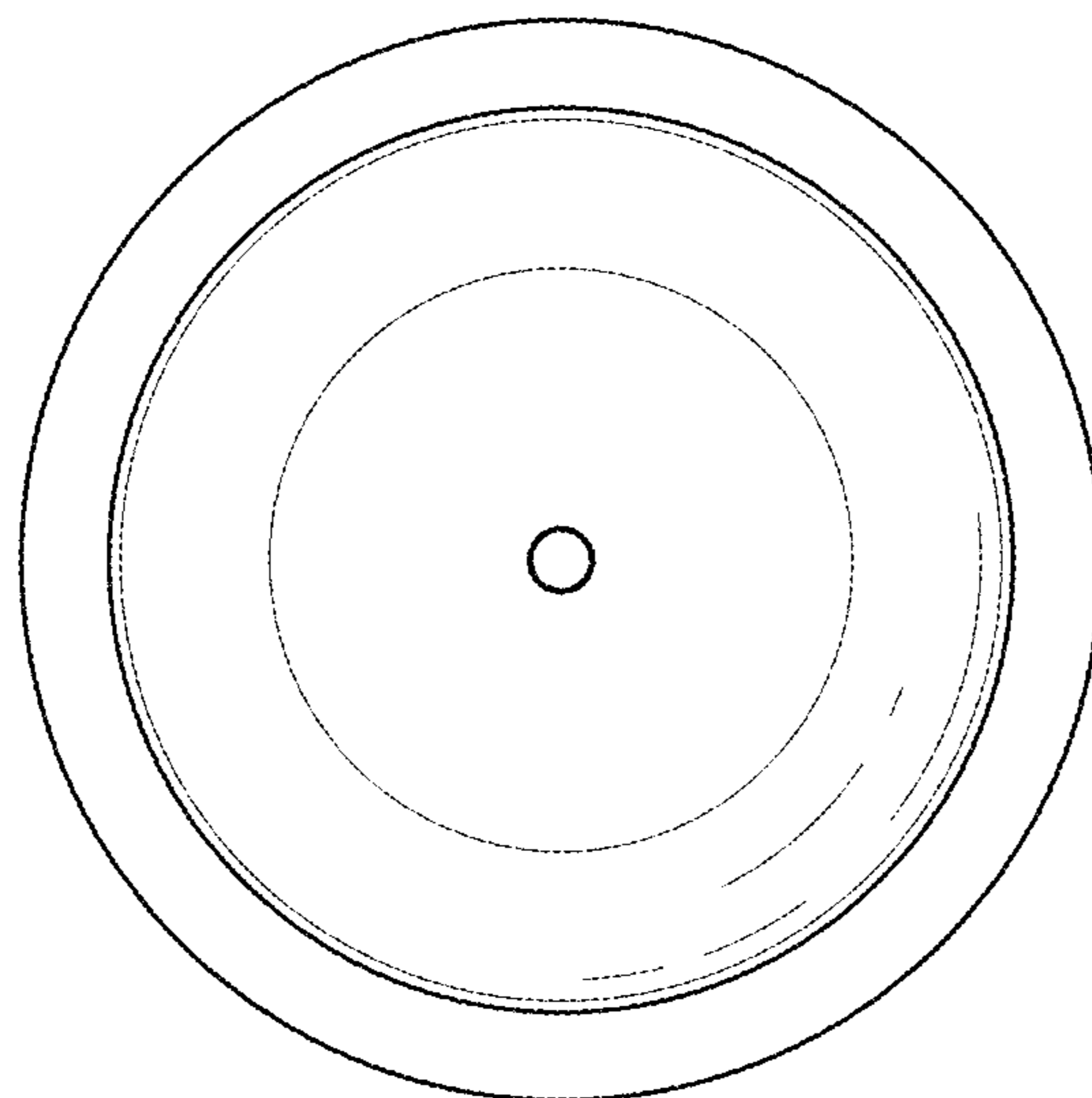


FIG. 3

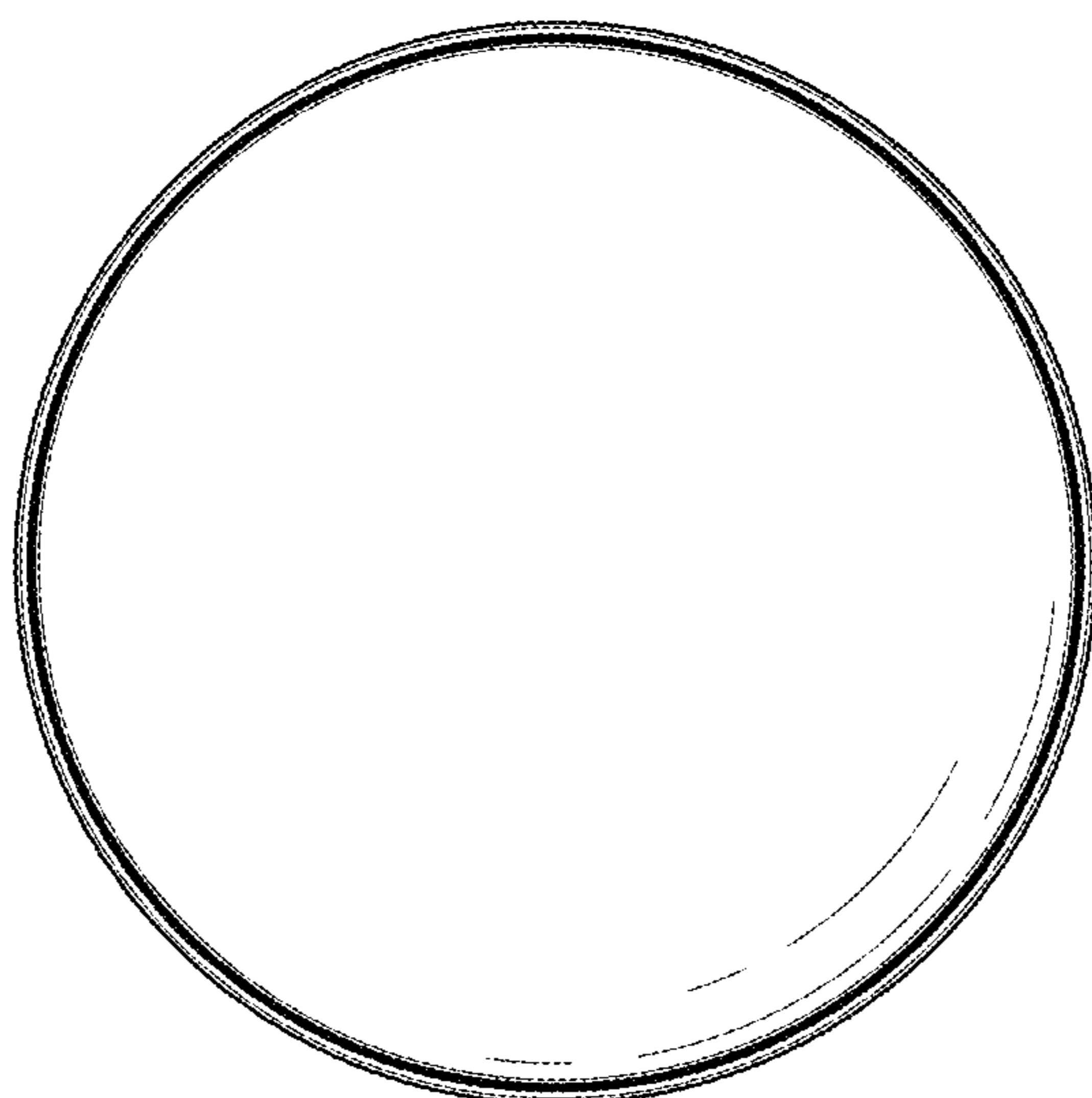


FIG. 4

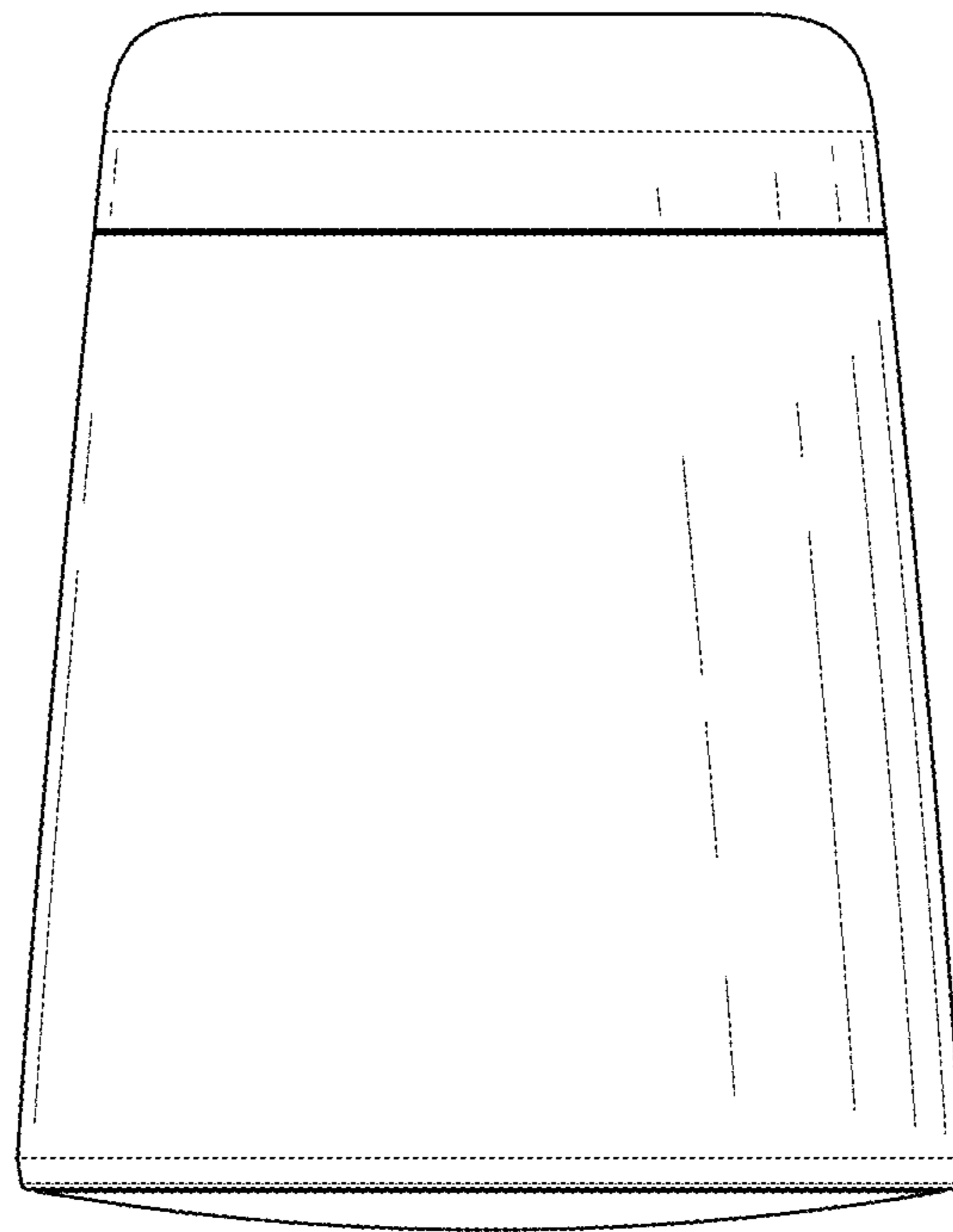


FIG. 5

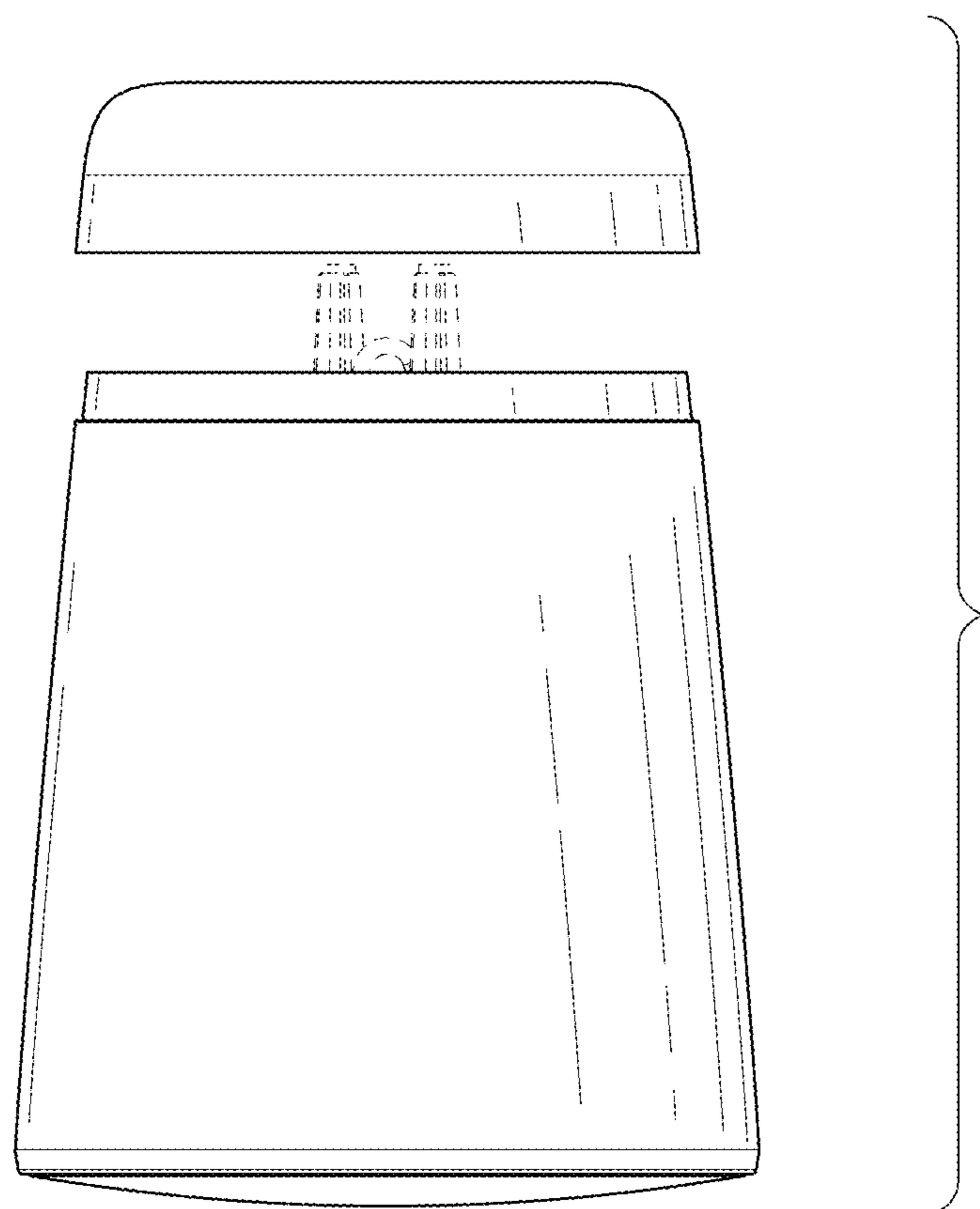


FIG. 6

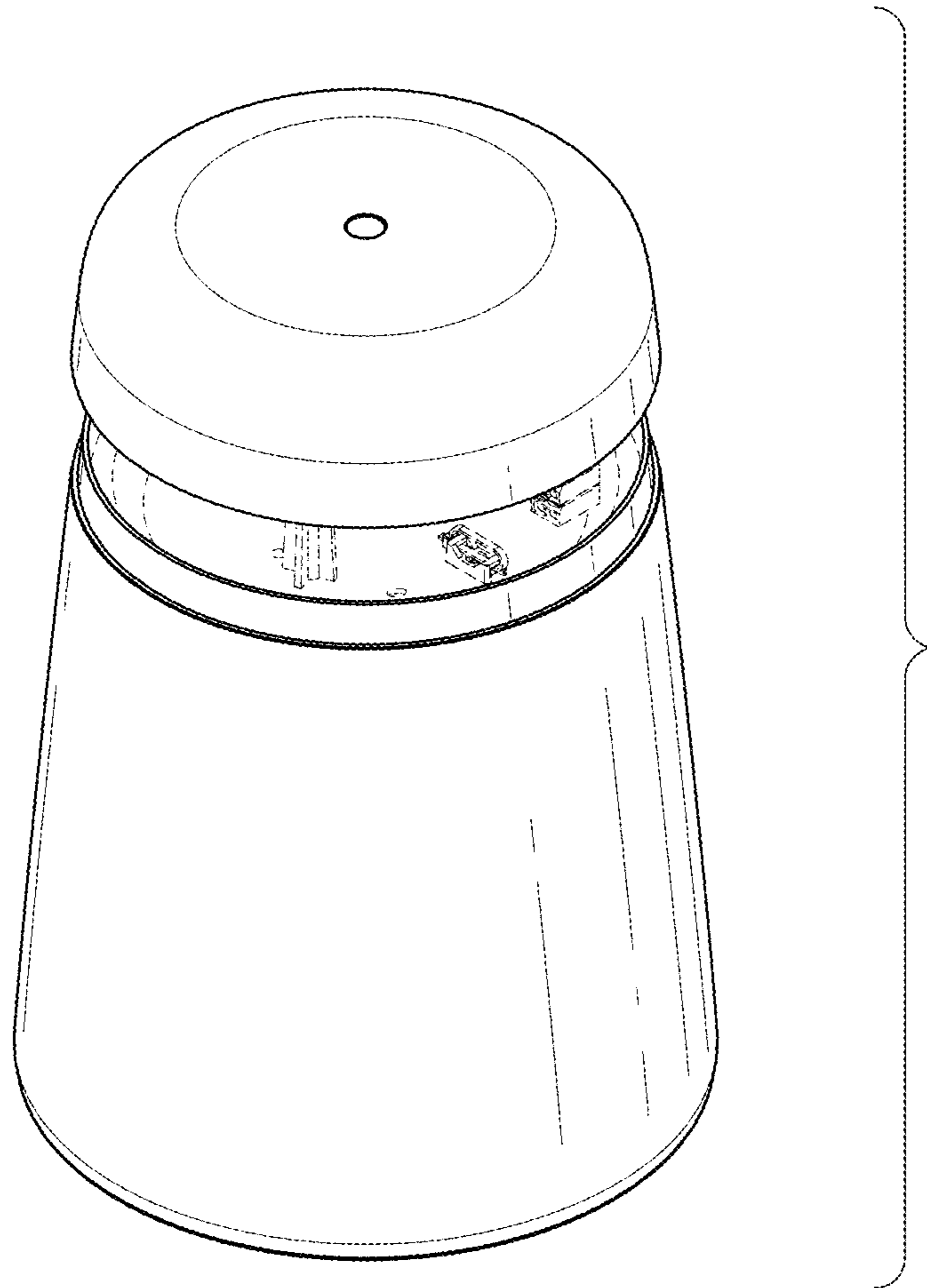


FIG. 7

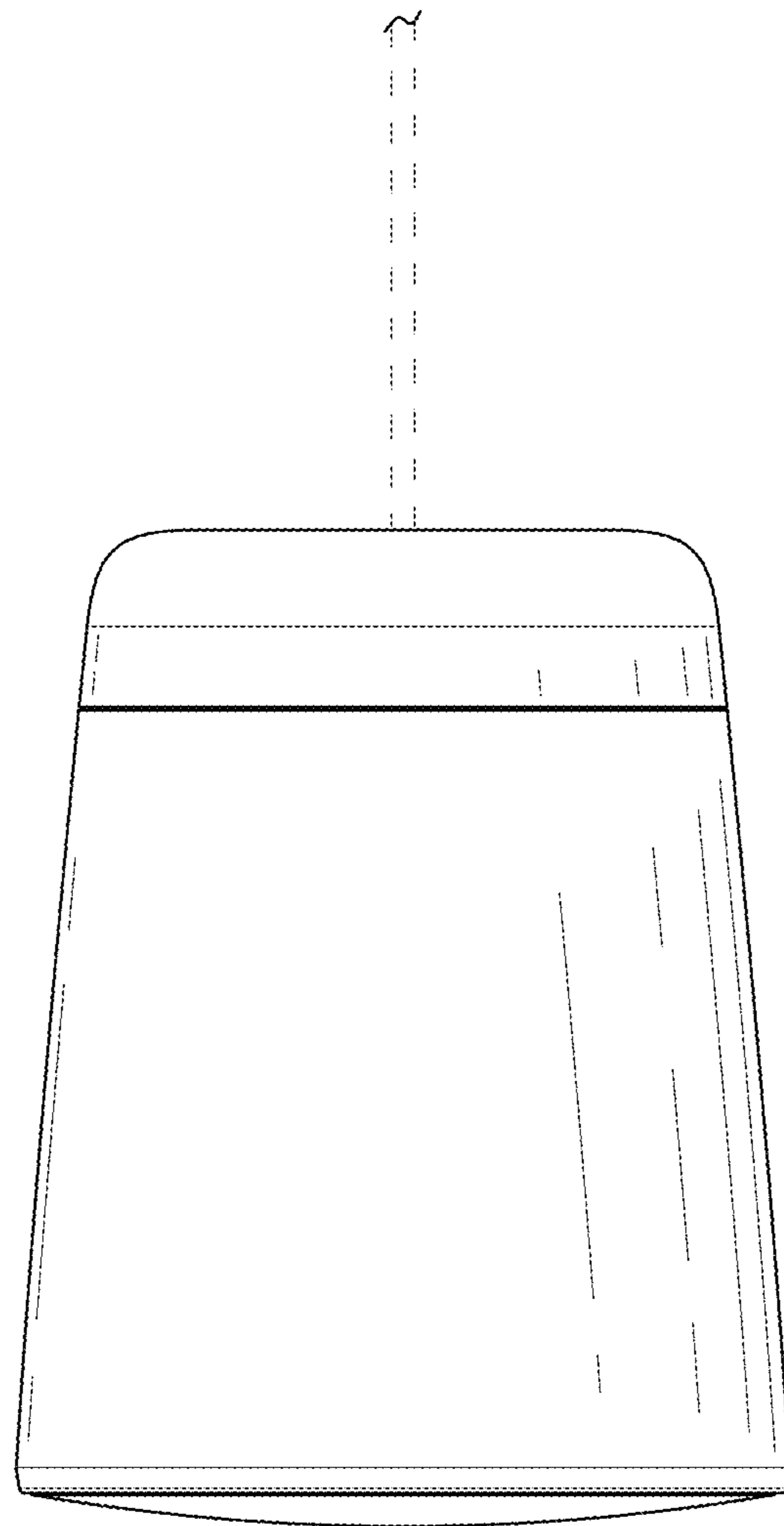


FIG. 8

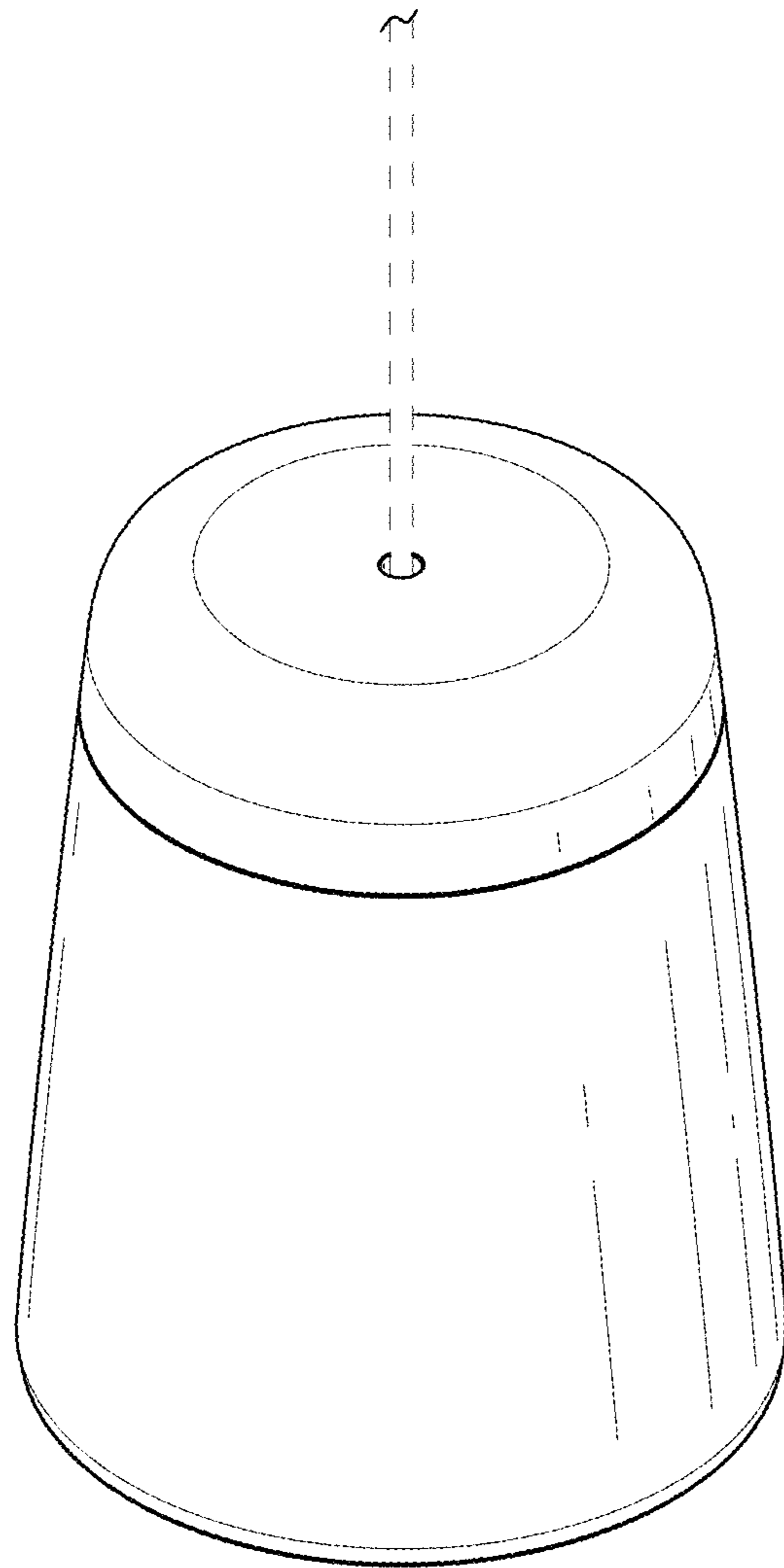


FIG. 9

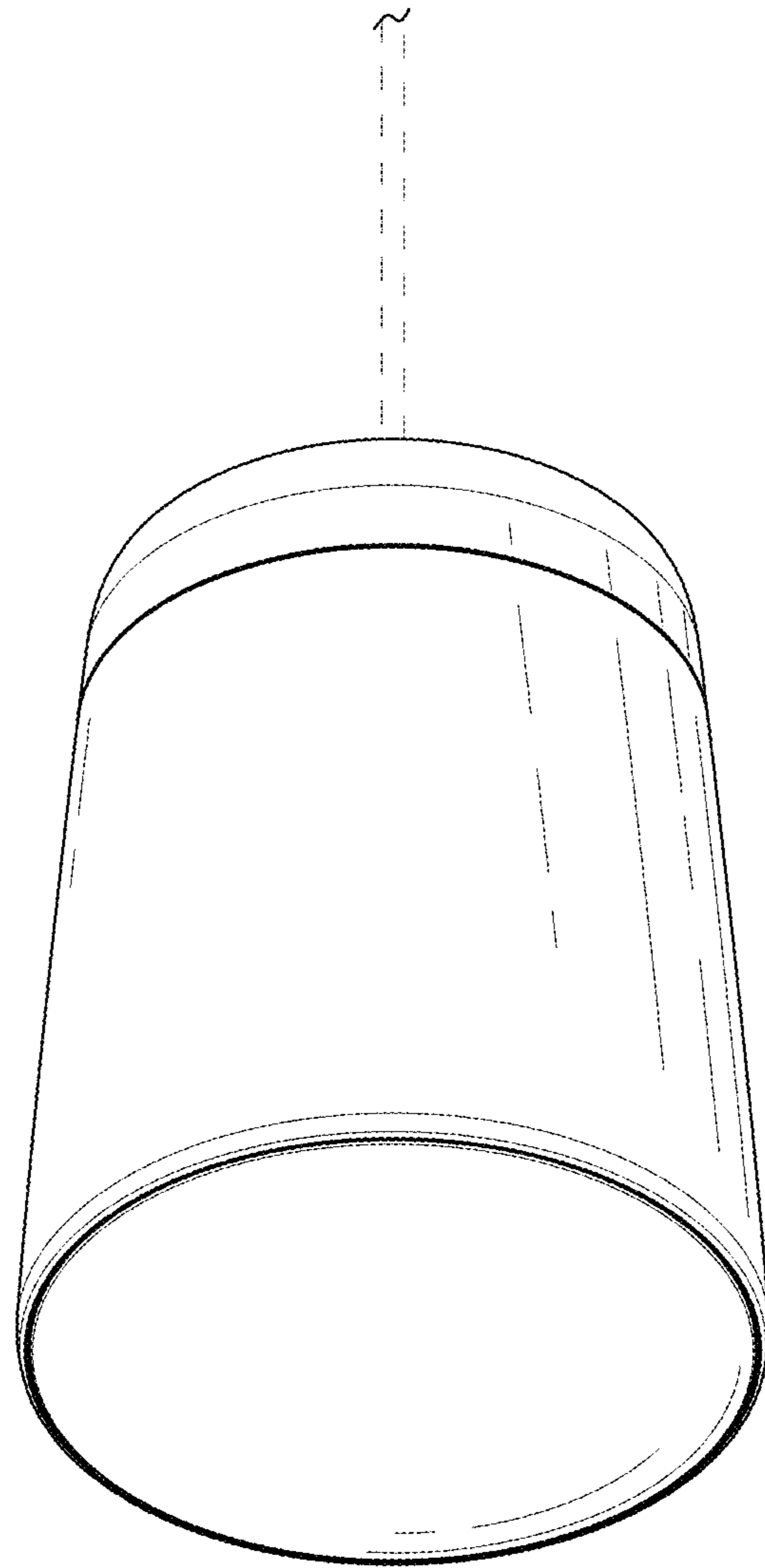


FIG. 10