



US00D865708S

(12) **United States Design Patent**  
**Lee et al.**

(10) **Patent No.:** **US D865,708 S**  
(45) **Date of Patent:** **\*\* Nov. 5, 2019**

(54) **HEADSET**

(71) Applicant: **Kingston Digital, Inc.**, Fountain Valley, CA (US)

(72) Inventors: **Baron King Lee**, Fountain Valley, CA (US); **Peter Leekuo Chou**, Fountain Valley, CA (US); **Guan Hua Tzeng**, Hsinchu (TW); **Penhao Ma**, Hsinchu (TW)

(73) Assignee: **Kingston Digital, Inc.**, Fountain Valley, CA (US)

(\*\*) Term: **15 Years**

(21) Appl. No.: **29/646,814**

(22) Filed: **May 7, 2018**

(51) **LOC (12) Cl.** ..... **14-01**

(52) **U.S. Cl.**  
USPC ..... **D14/206; D14/226**

(58) **Field of Classification Search**  
USPC ..... D14/206, 226, 205, 188, 192, 218;  
D29/112; 2/209; 181/129, 130, 135;  
379/430, 431; 381/380, 381, 374, 74,  
381/370; 455/90.3, 575.1, 569.1  
CPC .... H04R 25/00; H04R 1/1066; H04R 1/1016;  
H04R 5/033; H04R 5/0335; H04R 1/105;  
H04R 1/1058

See application file for complete search history.

(56) **References Cited**

**U.S. PATENT DOCUMENTS**

- 1,403,315 A \* 1/1922 Gomez ..... E21B 19/083  
173/160
- 1,651,623 A \* 12/1927 Oberfell ..... H04R 1/1066  
381/374
- 3,049,582 A \* 8/1962 Shinn ..... H01R 4/70  
174/92
- 3,104,398 A \* 9/1963 Palmaer ..... A61F 11/14  
2/209

- D229,833 S \* 1/1974 Becker ..... D14/205
- D255,352 S \* 6/1980 Besasie ..... D14/205
- 4,459,707 A \* 7/1984 Stallings ..... A61F 11/14  
181/129
- 4,987,592 A \* 1/1991 Flagg ..... H04M 1/05  
379/430
- 5,018,599 A \* 5/1991 Dohi ..... H04R 1/1008  
181/129

(Continued)

*Primary Examiner* — Paula Allen Greene

(74) *Attorney, Agent, or Firm* — Skaar Ulbrich Macari, P.A.

(57) **CLAIM**

We claim an ornamental design for a headset, as shown and described.

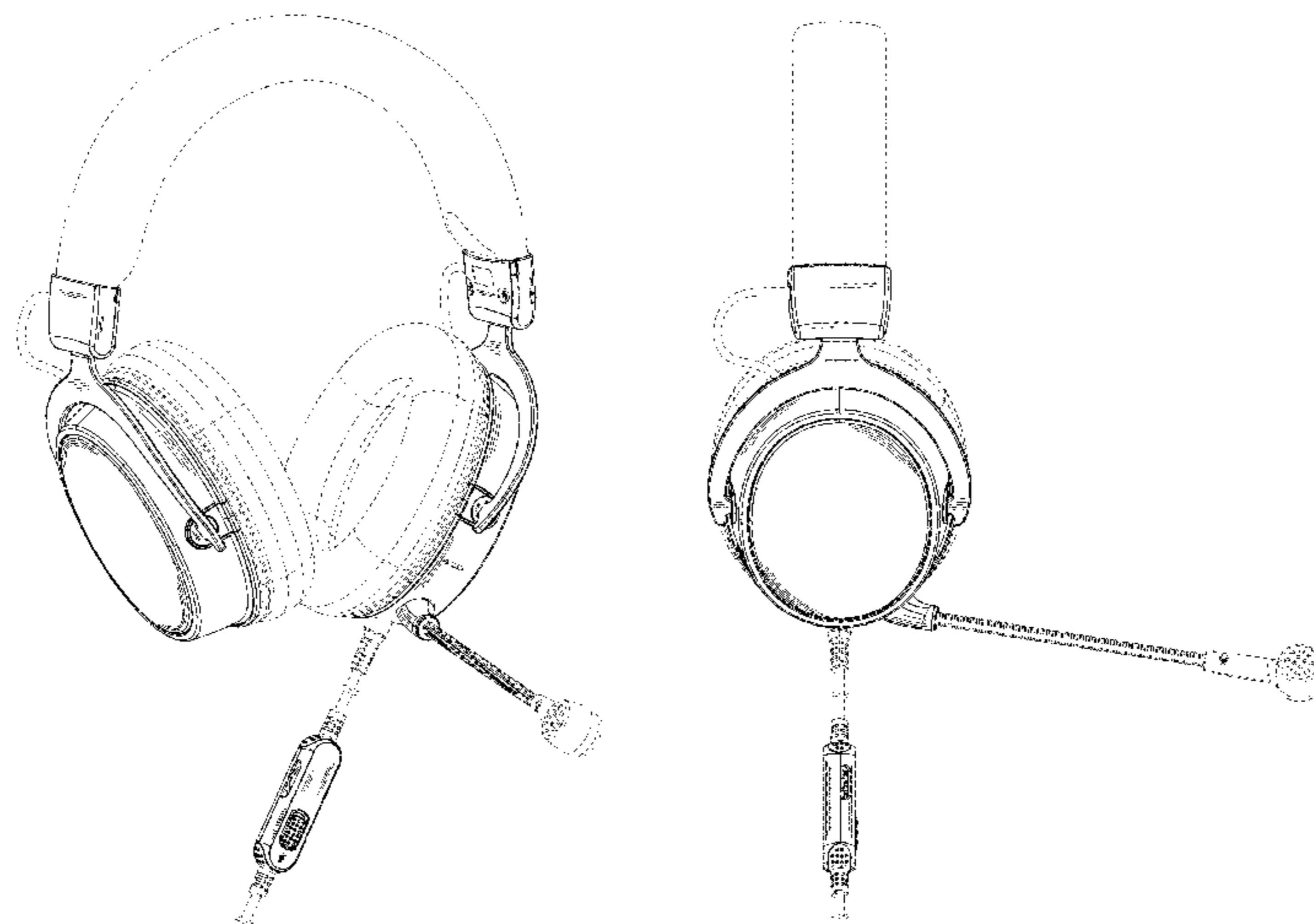
**DESCRIPTION**

FIG. 1 is a first perspective view of a headset showing the claimed design;  
 FIG. 2 is a second perspective view of FIG. 1;  
 FIG. 3 is a third perspective view of FIG. 1;  
 FIG. 4 is a front elevational view of FIG. 1;  
 FIG. 5 is a rear elevational view of FIG. 1;  
 FIG. 6 is a left side elevational view of FIG. 1;  
 FIG. 7 is a right side elevational view of FIG. 1;  
 FIG. 8 is a top plan view of FIG. 1;  
 FIG. 9 is a bottom plan view of FIG. 1;  
 FIG. 10 is an enlarged view according to “an area A” of FIG. 2;  
 FIG. 11 is an enlarged view according to “an area B” of FIG. 3; and,  
 FIG. 12 is an enlarged view according to “an area C” of FIG. 9.

The dashed broken lines in the figures represent portions of the article which form no part of the claimed design.

The dot-dash lines in the figures represent the boundary of enlarged areas which form no part of the claimed design.

**1 Claim, 12 Drawing Sheets**



(56)

References Cited

U.S. PATENT DOCUMENTS

D322,071 S \* 12/1991 Bergin ..... D14/205  
 5,068,923 A \* 12/1991 Sjoqvist ..... A61F 11/14  
 181/129  
 5,185,807 A \* 2/1993 Bergin ..... H04R 1/1066  
 181/128  
 5,210,792 A \* 5/1993 Kajihara ..... H04M 1/05  
 379/430  
 5,384,857 A \* 1/1995 Nordin ..... A61F 11/14  
 381/374  
 5,406,037 A \* 4/1995 Nageno ..... H04R 5/0335  
 181/129  
 5,793,878 A \* 8/1998 Chang ..... H04R 5/0335  
 381/370  
 6,006,115 A \* 12/1999 Wingate ..... H04M 1/6033  
 379/110.01  
 D427,382 S \* 6/2000 Leight ..... D29/112  
 D434,191 S \* 11/2000 Emilsson ..... D29/112  
 6,449,806 B1 \* 9/2002 Engelhard ..... H04M 1/05  
 2/209  
 D465,477 S \* 11/2002 Beraut ..... D14/218  
 6,629,579 B1 \* 10/2003 Hasegawa ..... H04R 1/1066  
 181/129  
 D497,608 S \* 10/2004 Birgersson ..... D14/205  
 6,952,481 B2 \* 10/2005 Larsen ..... H04M 1/05  
 379/430  
 D512,708 S \* 12/2005 Harris, Jr. .... D14/205  
 D520,492 S \* 5/2006 Chen ..... D14/205  
 7,106,873 B1 \* 9/2006 Harrison ..... H04R 25/456  
 381/330  
 7,172,052 B2 \* 2/2007 Lenhard-Backhaus .....  
 H04R 1/1066  
 181/129  
 D549,217 S \* 8/2007 Viduya ..... D14/206  
 7,292,704 B2 \* 11/2007 Lederer ..... G01R 33/283  
 381/380  
 7,388,960 B2 \* 6/2008 Kuo ..... H04R 1/1041  
 379/430

D592,639 S \* 5/2009 Kuh ..... D14/205  
 D603,370 S \* 11/2009 Suzuki ..... D14/205  
 7,766,120 B2 \* 8/2010 Hansson ..... A61F 11/14  
 181/129  
 D624,058 S \* 9/2010 Kolton ..... D14/205  
 D625,703 S \* 10/2010 Kolton ..... D14/205  
 D632,667 S \* 2/2011 Martin ..... D14/205  
 D648,706 S \* 11/2011 Gresko ..... D14/205  
 D649,956 S \* 12/2011 Gresko ..... D14/205  
 D651,764 S \* 1/2012 Gresko ..... A61F 11/14  
 D29/112  
 8,098,872 B2 \* 1/2012 Chang ..... H04R 1/1075  
 381/370  
 D665,776 S \* 8/2012 Alden ..... D14/205  
 D666,990 S \* 9/2012 Komiyama ..... D14/205  
 8,718,306 B2 \* 5/2014 Gommel ..... H04R 25/60  
 381/322  
 8,774,442 B2 \* 7/2014 Huang ..... H04R 1/1066  
 381/367  
 8,818,011 B2 \* 8/2014 Chen ..... H04R 1/1083  
 381/370  
 D713,376 S \* 9/2014 Dedinas ..... D14/206  
 D740,256 S \* 10/2015 Carr ..... D14/206  
 D743,381 S \* 11/2015 Pi ..... D14/218  
 D745,860 S \* 12/2015 Logan ..... D14/206  
 D754,632 S \* 4/2016 Matsumura ..... D14/205  
 D788,071 S \* 5/2017 Logan ..... D14/205  
 9,706,281 B2 \* 7/2017 Hernandez Vazquez .....  
 H04R 1/08  
 D793,995 S \* 8/2017 Nakagawa ..... D14/218  
 D815,614 S \* 4/2018 Tzeng ..... D14/205  
 D821,354 S \* 6/2018 Ohmachi ..... D14/205  
 D836,600 S \* 12/2018 Lee ..... D14/206  
 D840,370 S \* 2/2019 Kelly ..... D14/205  
 D845,928 S \* 4/2019 Lee ..... D14/206  
 D848,973 S \* 5/2019 Karacal ..... D14/205  
 2011/0194721 A1 \* 8/2011 Schmidt ..... H04R 1/1066  
 381/370  
 2011/0206216 A1 \* 8/2011 Brunner ..... H04R 1/1066  
 381/74

\* cited by examiner

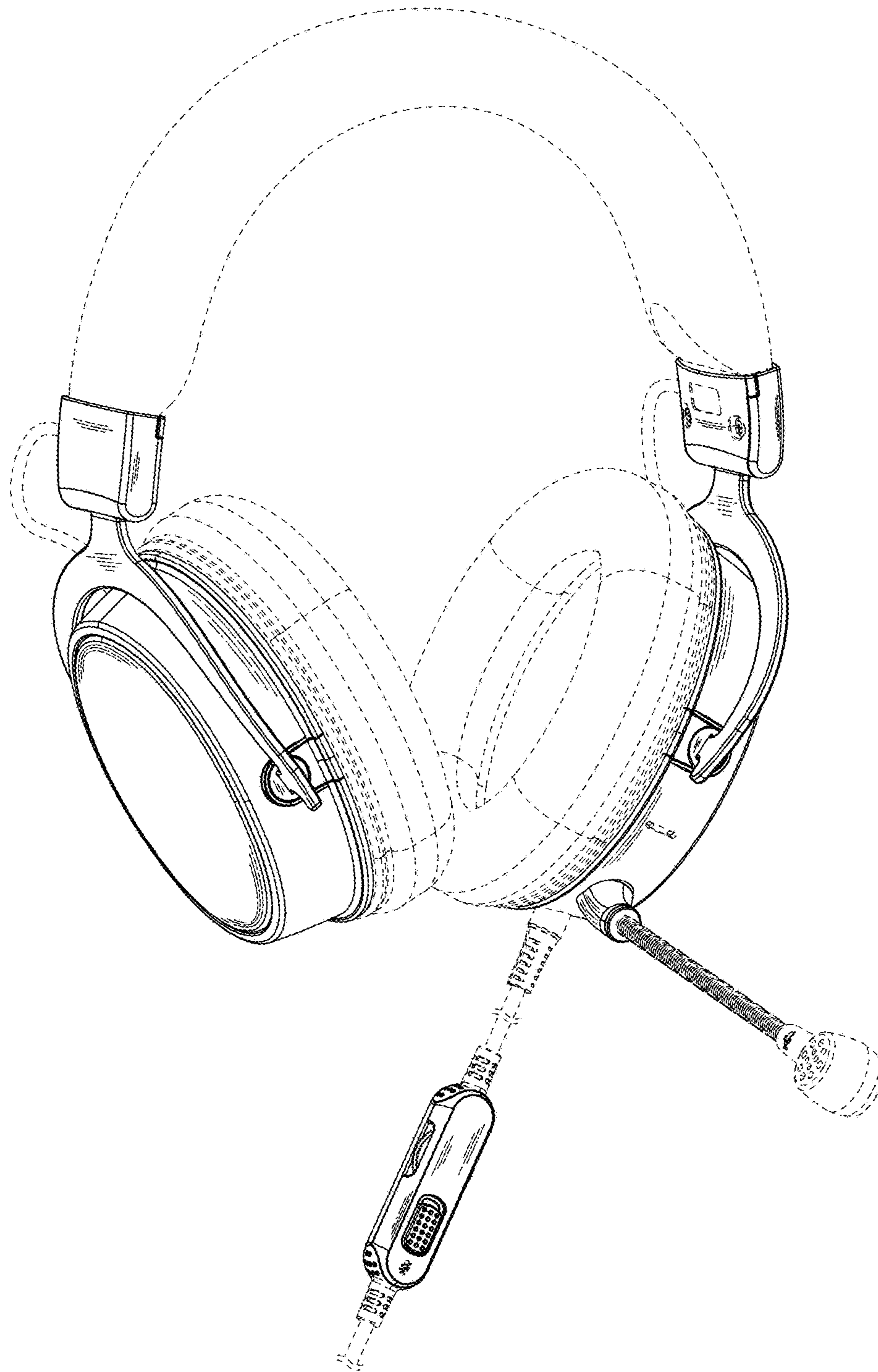


FIG. 1

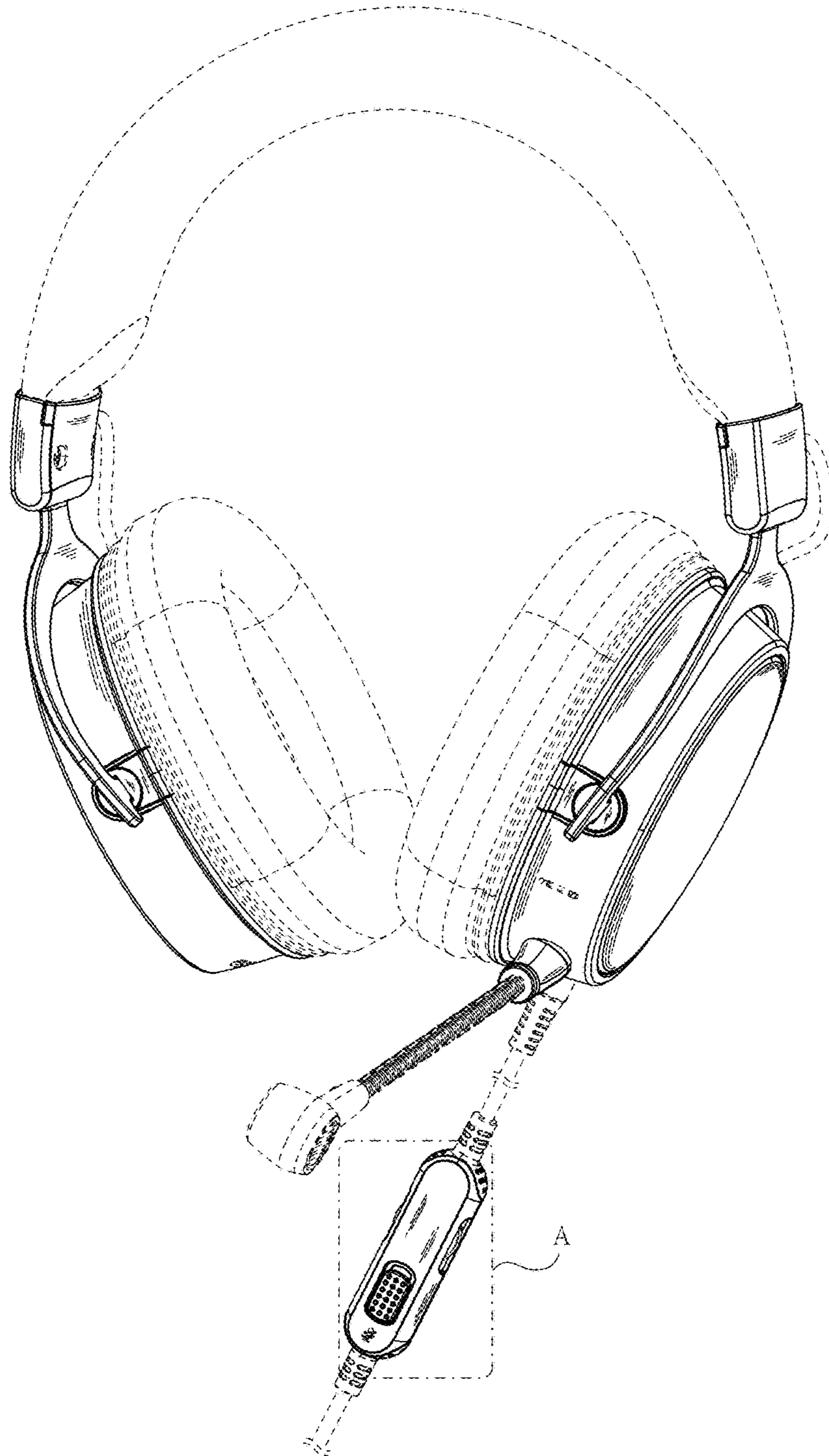


FIG. 2

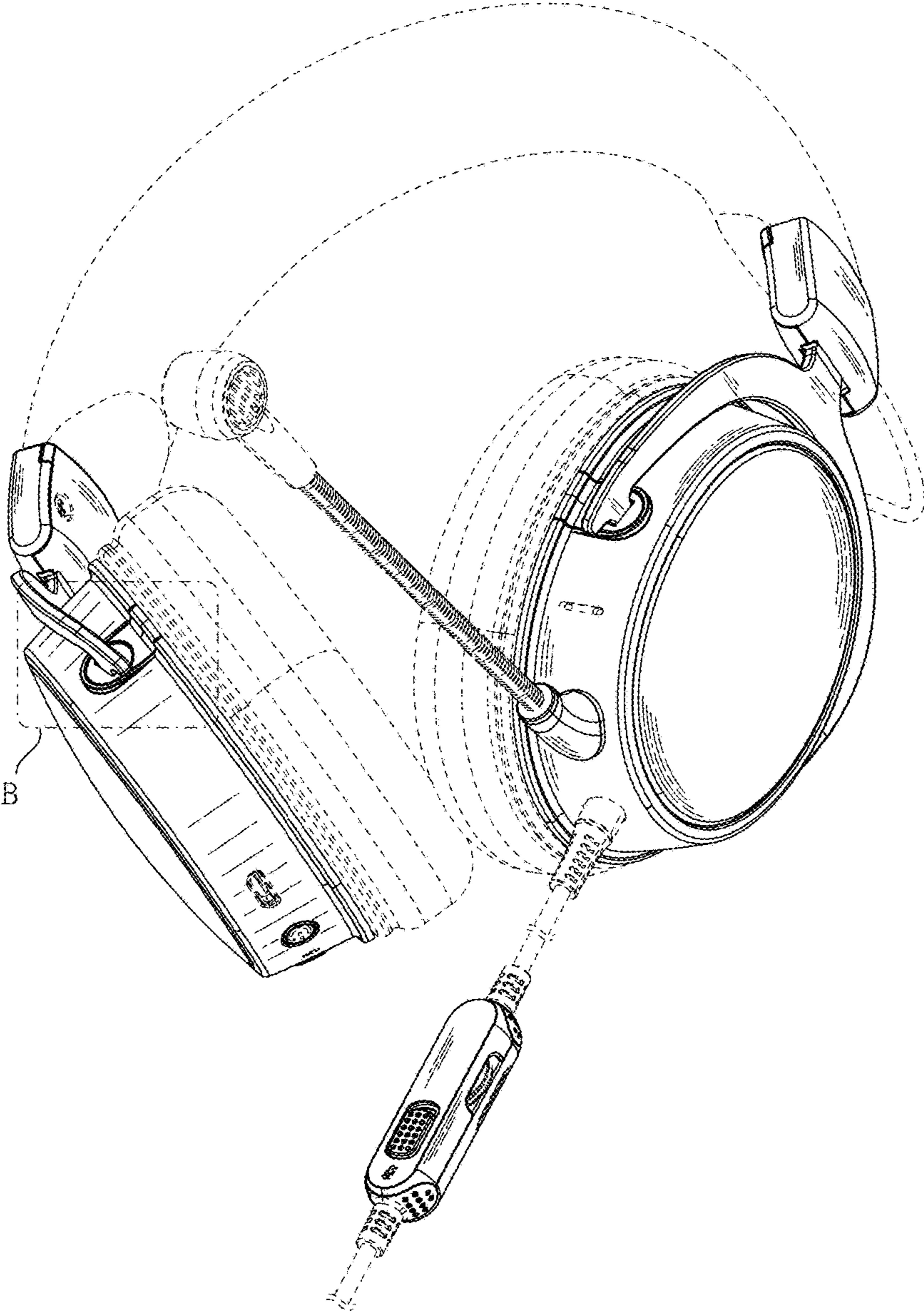


FIG. 3

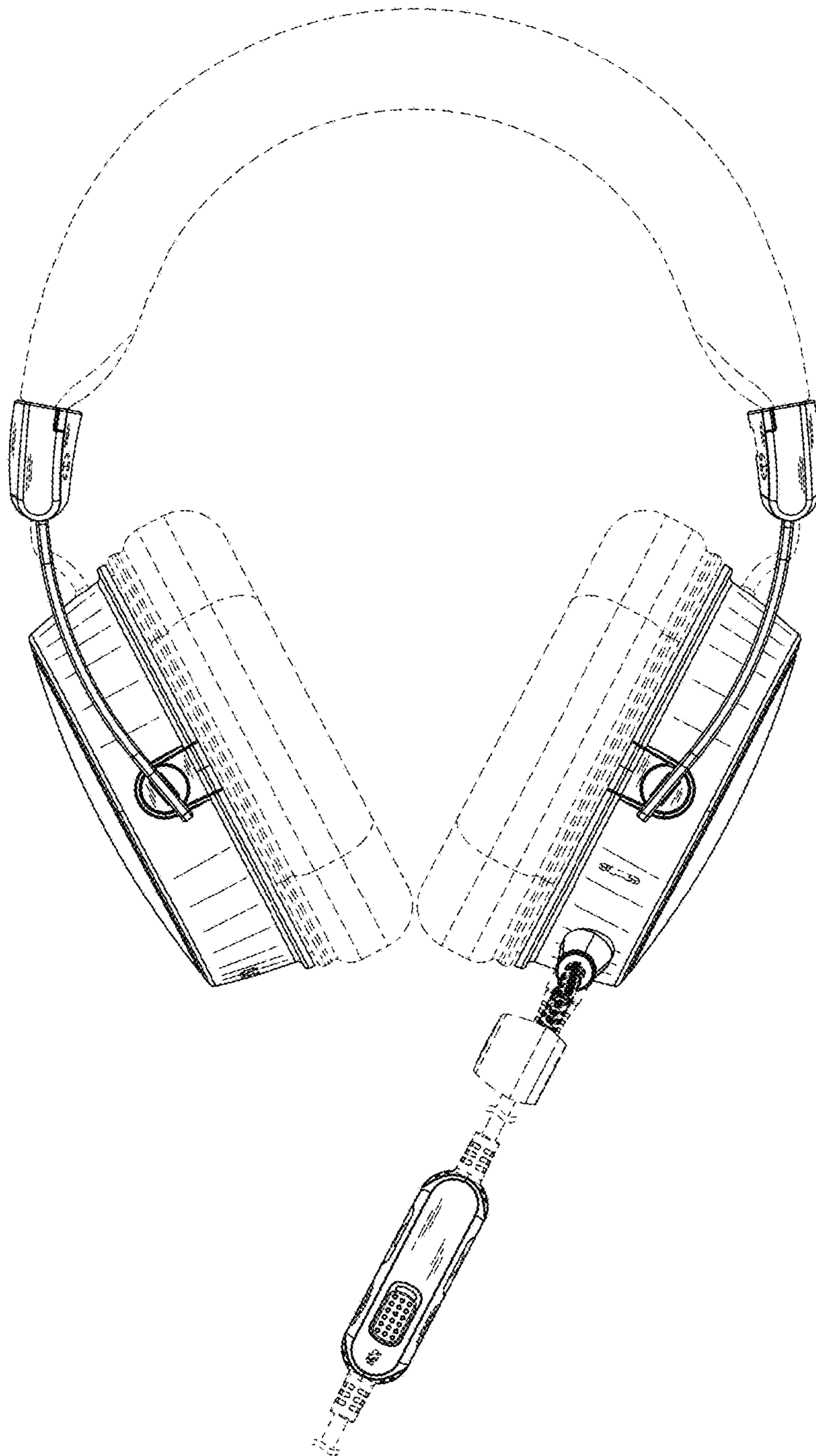


FIG. 4

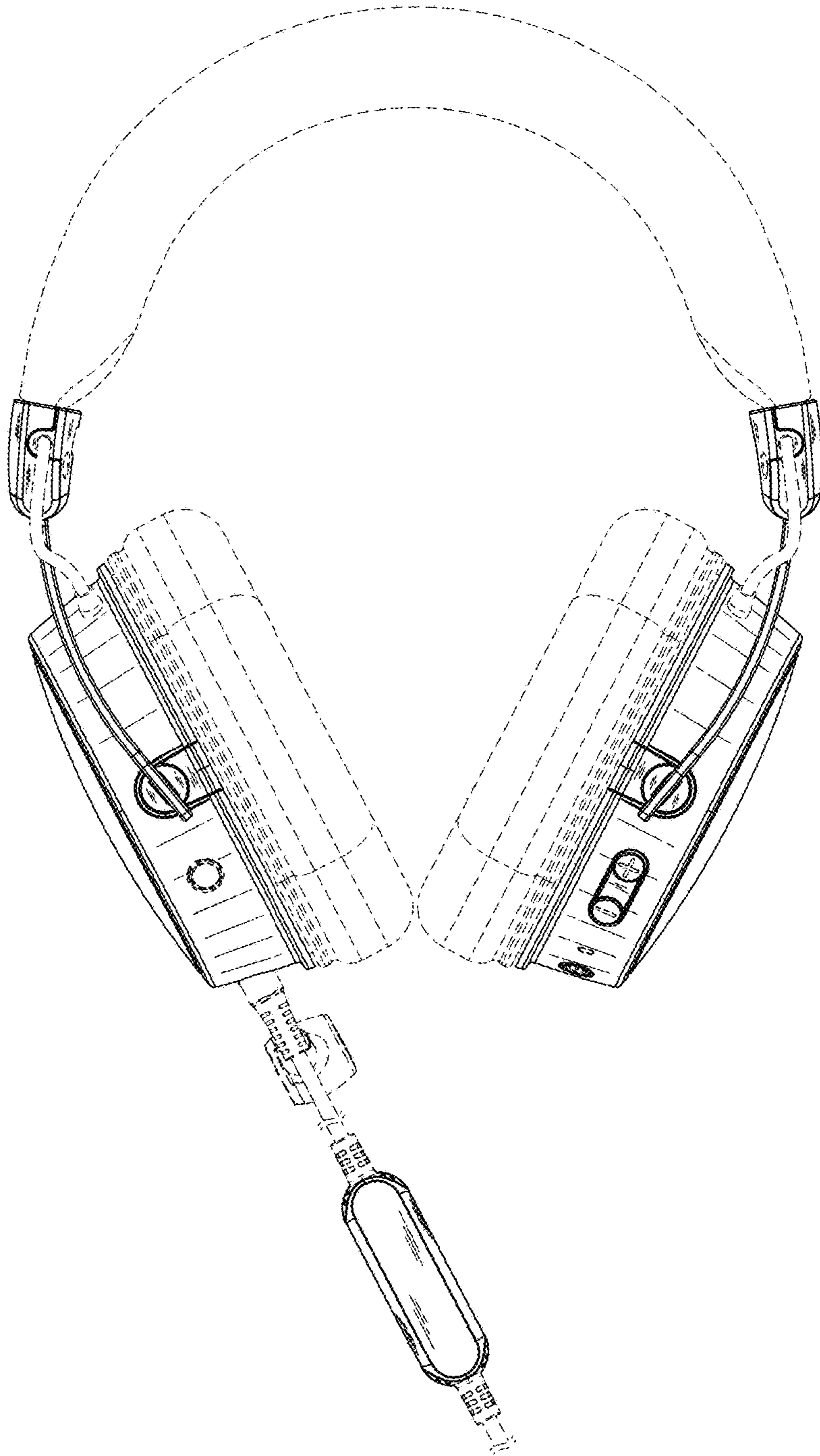


FIG. 5

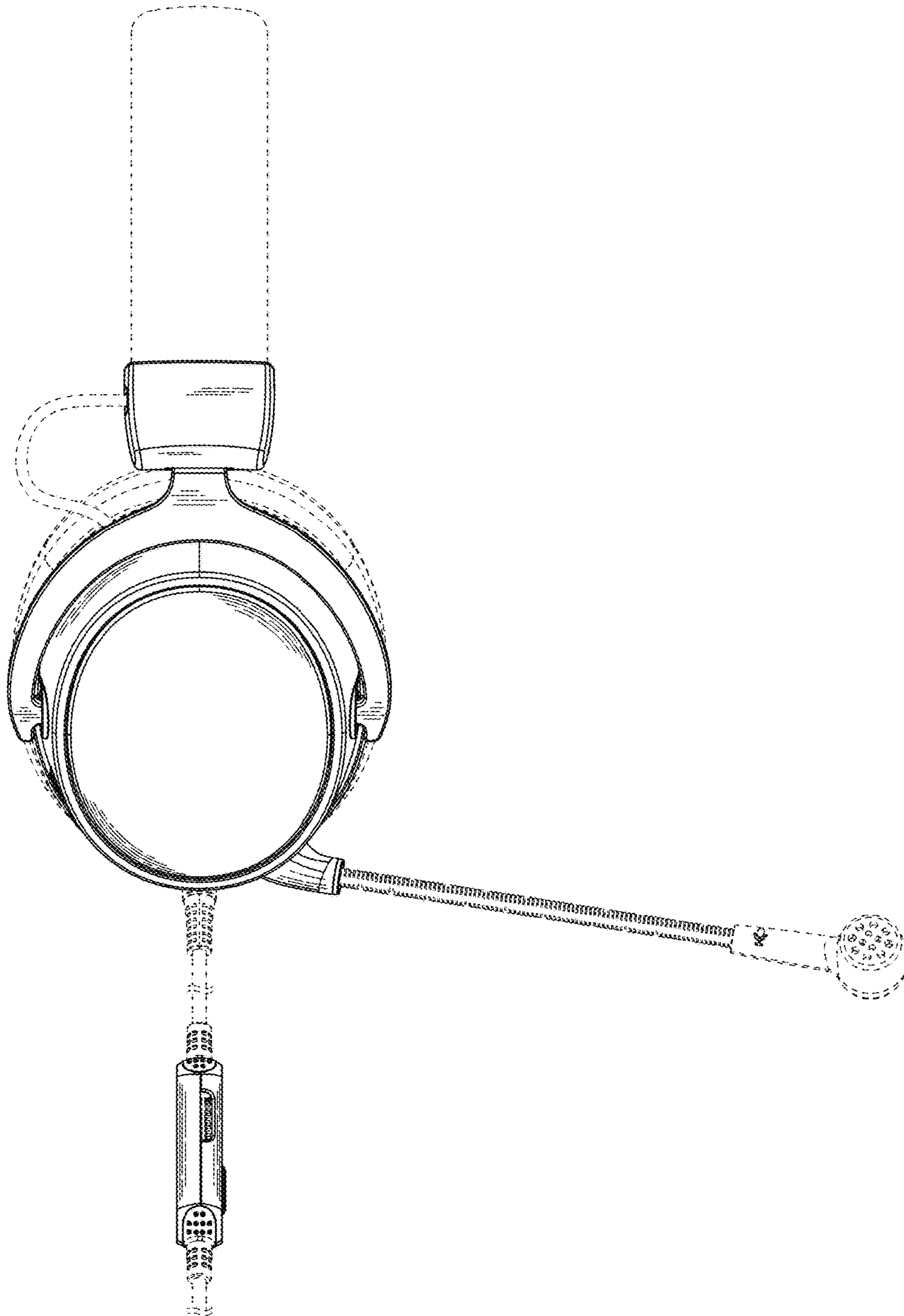


FIG. 6



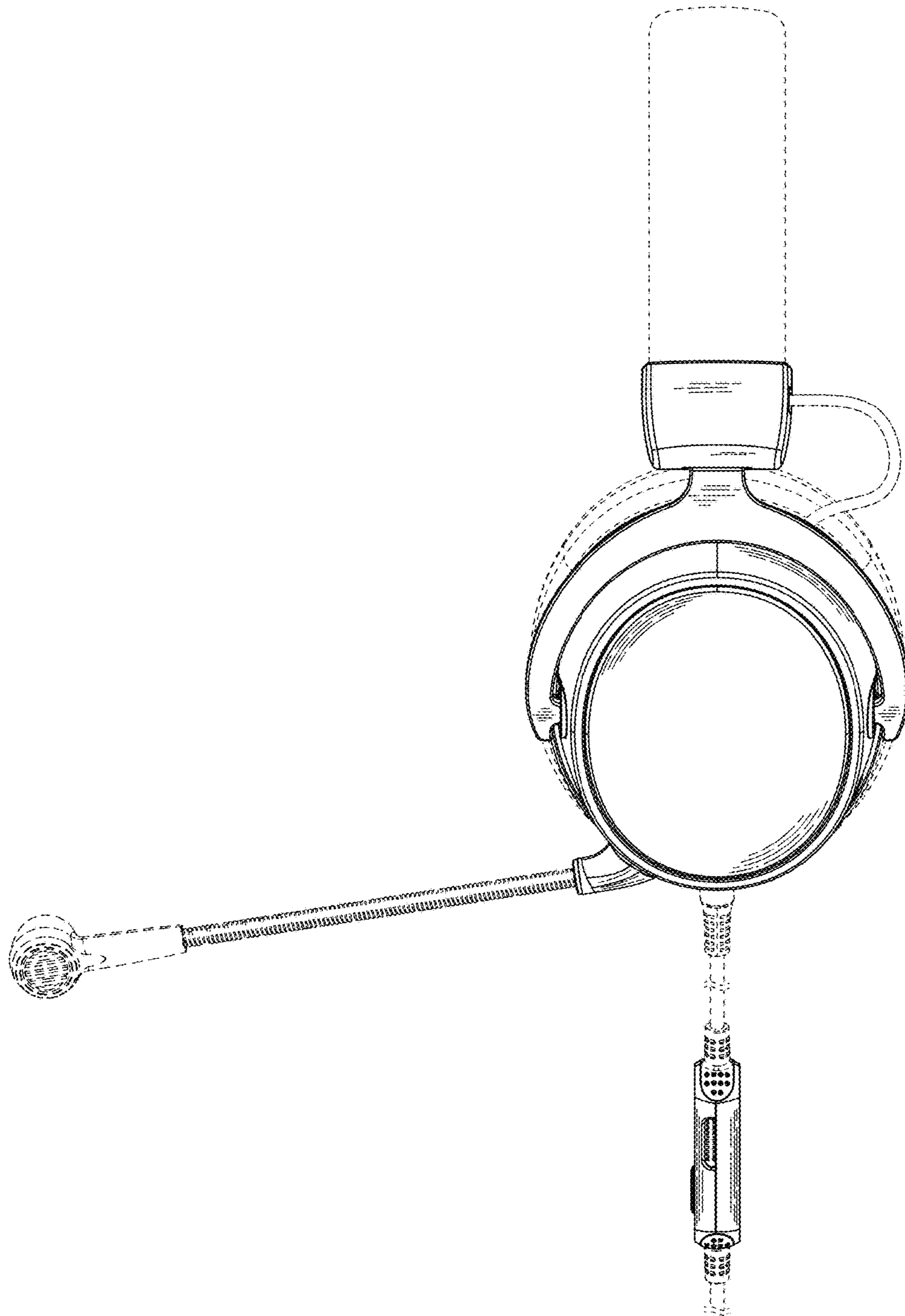


FIG. 7

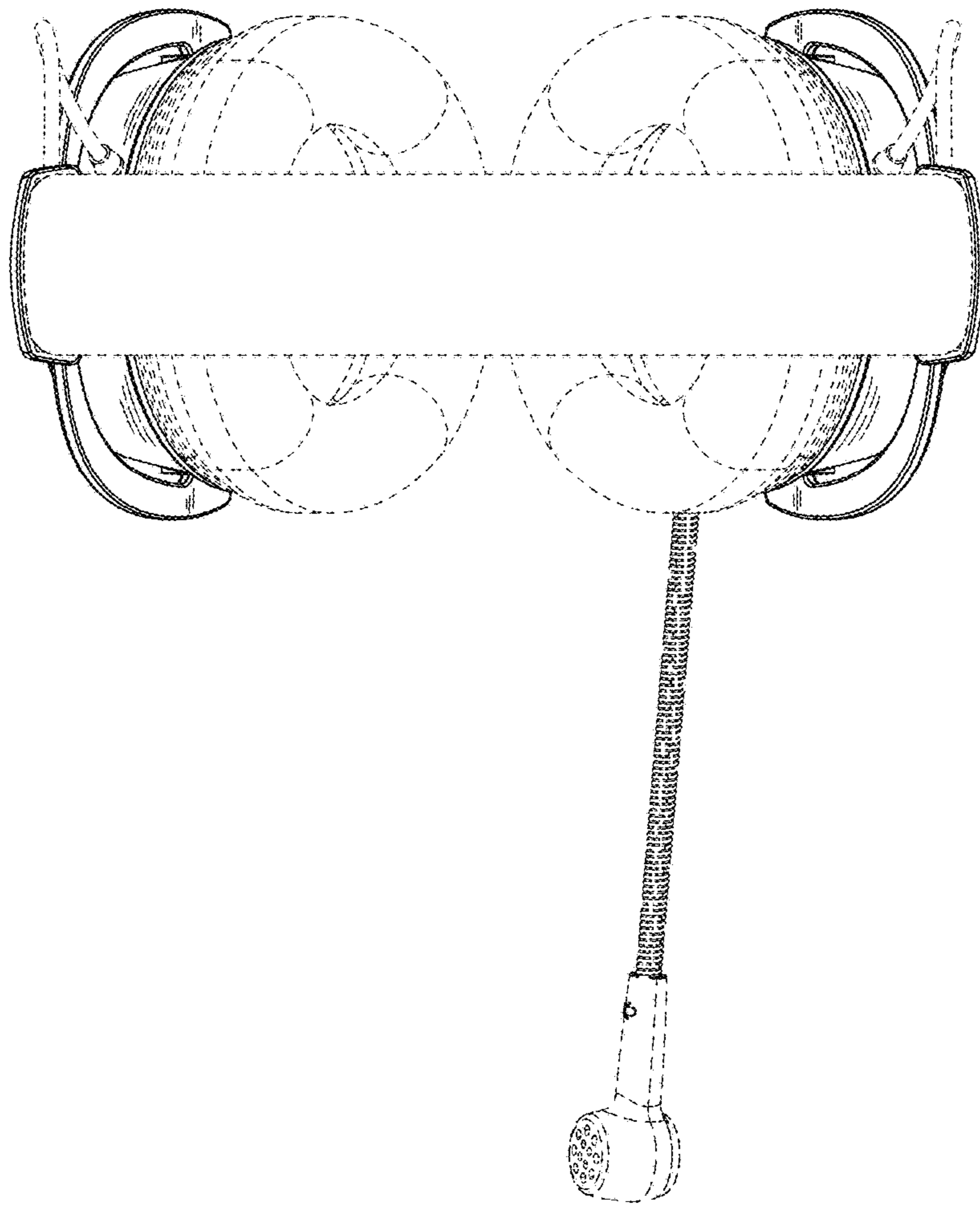


FIG. 8

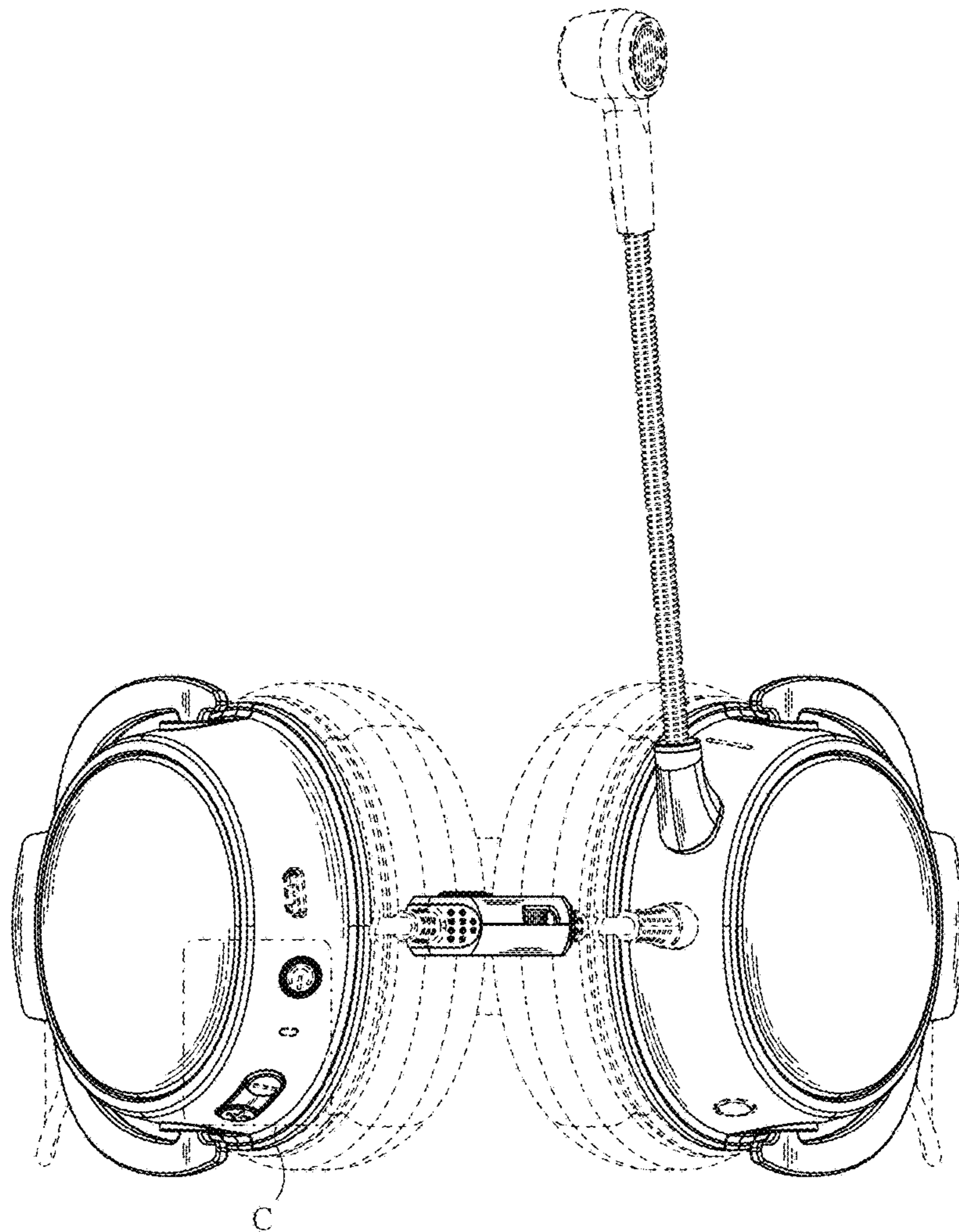


FIG. 9

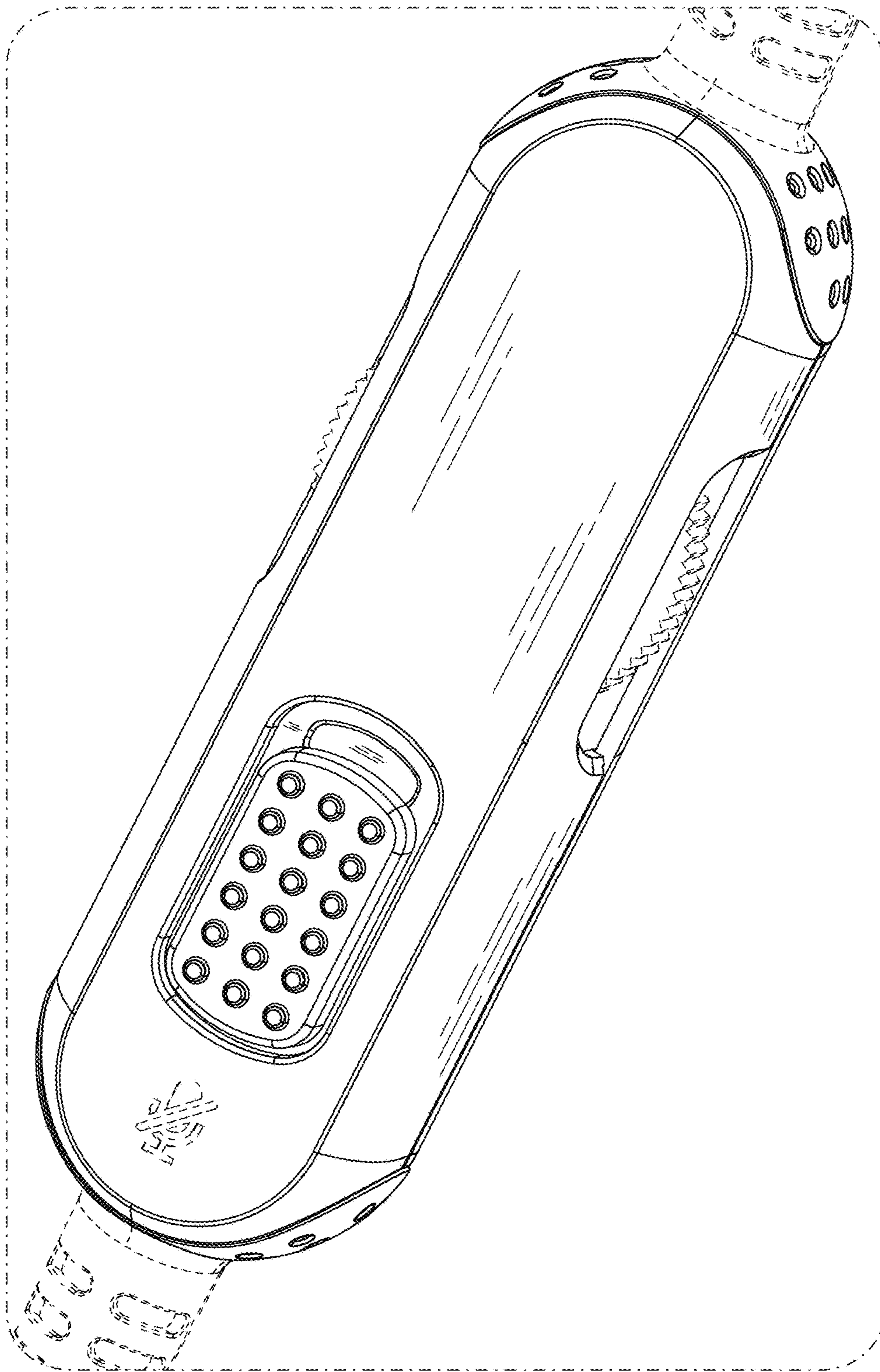


FIG. 10

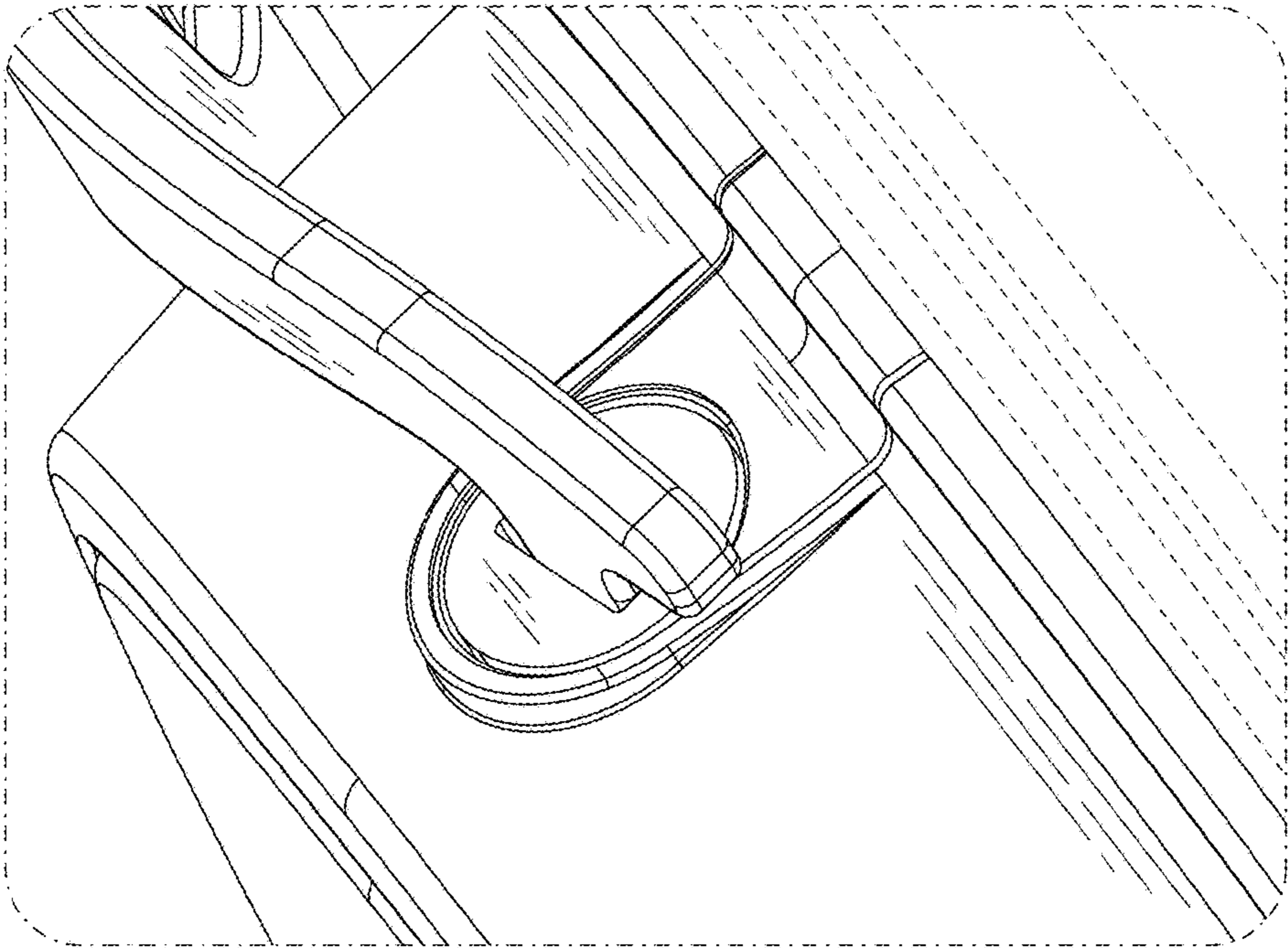


FIG. 11

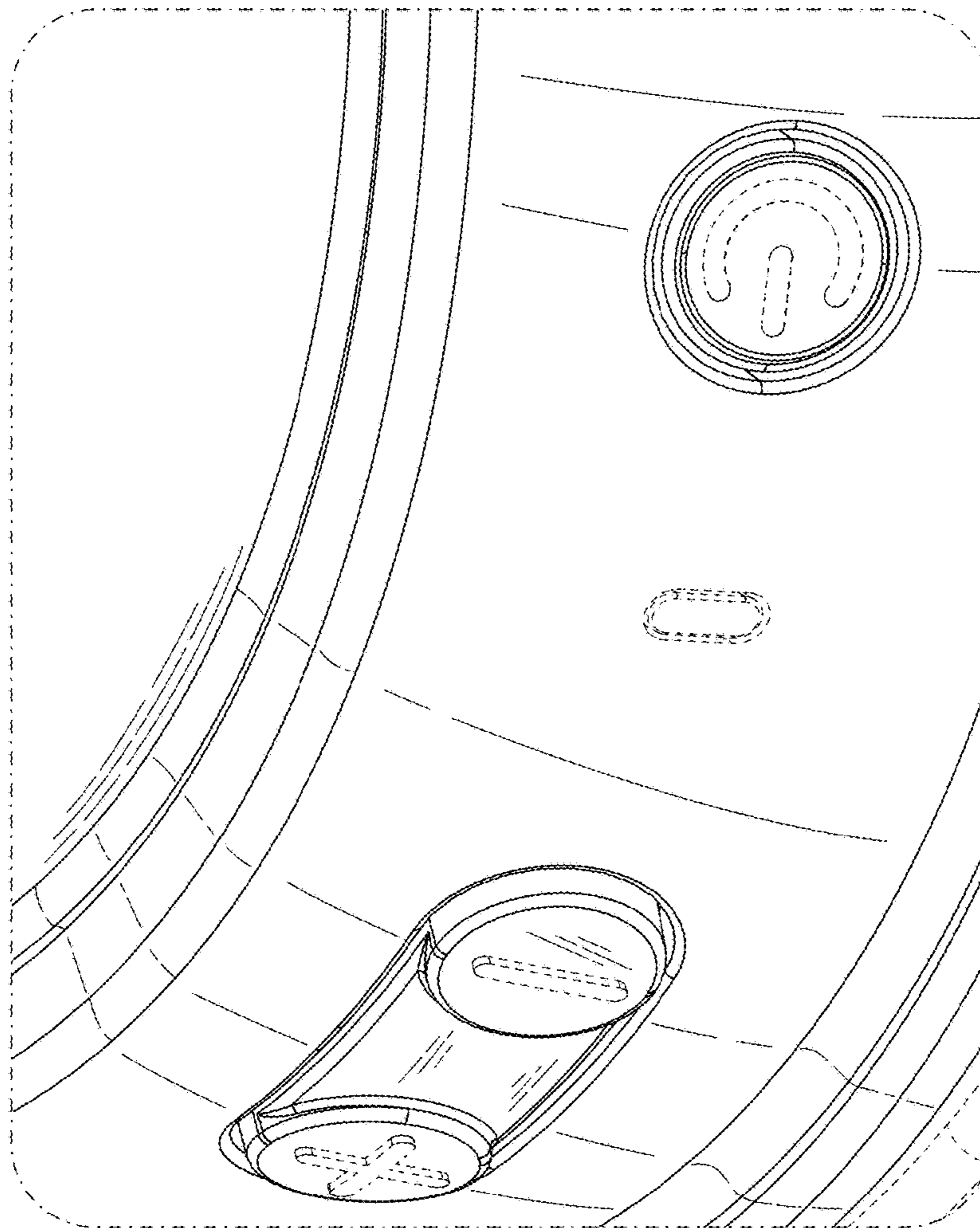


FIG. 12