



US00D865706S

(12) **United States Design Patent**
Li et al.

(10) **Patent No.:** **US D865,706 S**
(45) **Date of Patent:** **** Nov. 5, 2019**

(54) **HEADPHONE**
(71) Applicant: **Shenzhen Coolhear Information Technology Co., Ltd.**, Shenzhen, Guangdong (CN)
(72) Inventors: **Bin Li**, Guangdong (CN); **Chuanbo Wang**, Guangdong (CN); **Mengran You**, Guangdong (CN)
(73) Assignee: **Shenzhen Coolhear Information Technology Co., Ltd.**, Shenzhen (CN)
(**) Term: **15 Years**

(21) Appl. No.: **29/626,482**
(22) Filed: **Nov. 17, 2017**

(30) **Foreign Application Priority Data**
Sep. 21, 2017 (CN) 2017 3 0450164

(51) **LOC (12) Cl.** **14-01**
(52) **U.S. Cl.**
USPC **D14/205**

(58) **Field of Classification Search**
USPC D14/205, 188, 192; D29/112; 2/209; 181/129, 130, 135; 379/430, 431; 381/380, 381, 74, 374; 455/90.3, 575.1, 455/569.1
CPC H04R 25/00; H04R 1/1066; H04R 1/1016; H04R 5/033; H04R 5/0335; H04R 1/10
See application file for complete search history.

(56) **References Cited**
U.S. PATENT DOCUMENTS
2,149,341 A * 3/1939 Harrison H04R 1/1066 248/274.1
3,272,926 A * 9/1966 Falkenberg H04R 1/1008 381/370

3,562,816 A * 2/1971 Hutchinson A61F 11/14 2/209
4,409,442 A * 10/1983 Kamimura H04R 5/0335 381/370
D328,461 S * 8/1992 Daido D14/205
D541,255 S * 4/2007 Taylor D14/205
D563,382 S * 3/2008 Wikel D14/205
D573,581 S * 7/2008 Gondo D14/205
D581,394 S * 11/2008 Lee D14/205
D616,865 S * 6/2010 Marchand D14/205
D639,776 S * 6/2011 Arimoto D14/205
D642,554 S * 8/2011 Schaal D14/205
8,098,872 B2 * 1/2012 Chang H04R 1/1075 381/370
D666,990 S * 9/2012 Komiyama D14/205
8,293,525 B2 * 10/2012 Richmond B01L 3/021 362/133
D677,243 S * 3/2013 Kitayama D14/205
D683,329 S * 5/2013 Hagelin D14/205
D684,559 S * 6/2013 Groset D14/205
D691,109 S * 10/2013 Hardi D14/205
D712,375 S * 9/2014 Miyake D14/205

(Continued)

Primary Examiner — Paula Allen Greene

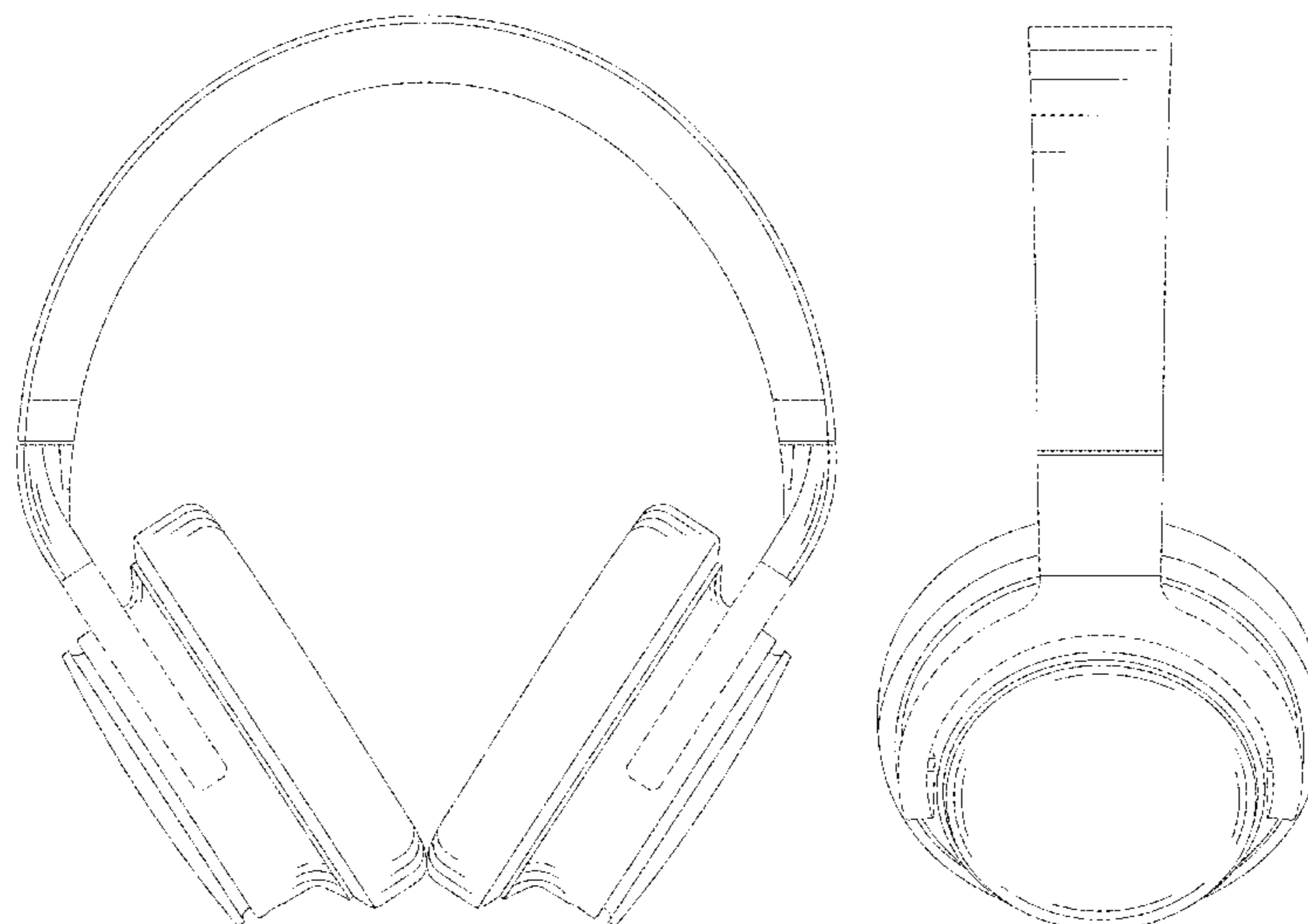
(57) **CLAIM**

The ornamental design for a headphone, as shown and described.

DESCRIPTION

FIG. 1 is a front elevational view of a headphone showing our new design;
FIG. 2 is a rear elevational view thereof;
FIG. 3 is a left side view thereof;
FIG. 4 is a right side view thereof;
FIG. 5 is a top plan view thereof;
FIG. 6 is a bottom plan view thereof;
FIG. 7 is a first perspective view thereof; and,
FIG. 8 is a second perspective view thereof.
The broken lines depict environment that forms no part of the claimed design.

1 Claim, 8 Drawing Sheets



(56)

References Cited

U.S. PATENT DOCUMENTS

D719,136	S	*	12/2014	Schaal	D14/205
D722,589	S	*	2/2015	Lu	D14/205
D722,998	S	*	2/2015	Sancho	D14/205
D729,194	S	*	5/2015	Boeckel	D14/205
D734,297	S	*	7/2015	Sasaki	D14/205
D773,434	S	*	12/2016	Wu	D14/205
D787,470	S	*	5/2017	Kelly	D14/205
D800,691	S	*	10/2017	Ando	D14/205
D811,365	S	*	2/2018	Czaniecki	D14/205
D817,303	S	*	5/2018	Tragatschnig	D14/205
D822,635	S	*	7/2018	Ando	D14/205
D826,895	S	*	8/2018	Sharp	D14/205
D828,326	S	*	9/2018	Ye	D14/205
D836,084	S	*	12/2018	Xie	D14/205
2010/0310093	A1	*	12/2010	Semcken	H04R 1/1058 381/104
2014/0254854	A1	*	9/2014	Blonder	H04R 1/1066 381/371
2016/0080853	A1	*	3/2016	Chen	H04R 1/1041 381/74
2017/0230746	A1	*	8/2017	Silvestri	H04R 1/1083

* cited by examiner

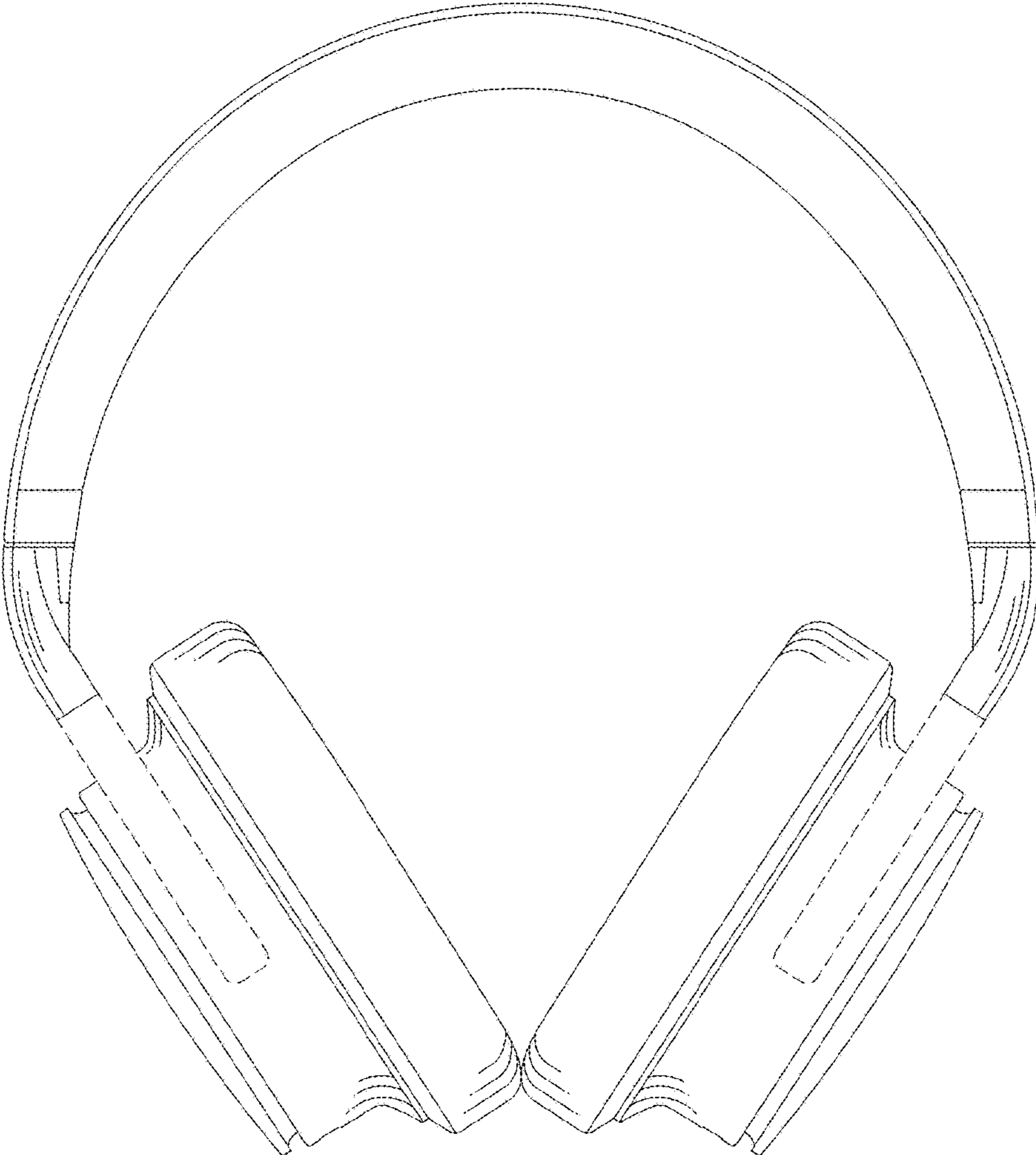


Fig. 1



Fig. 2

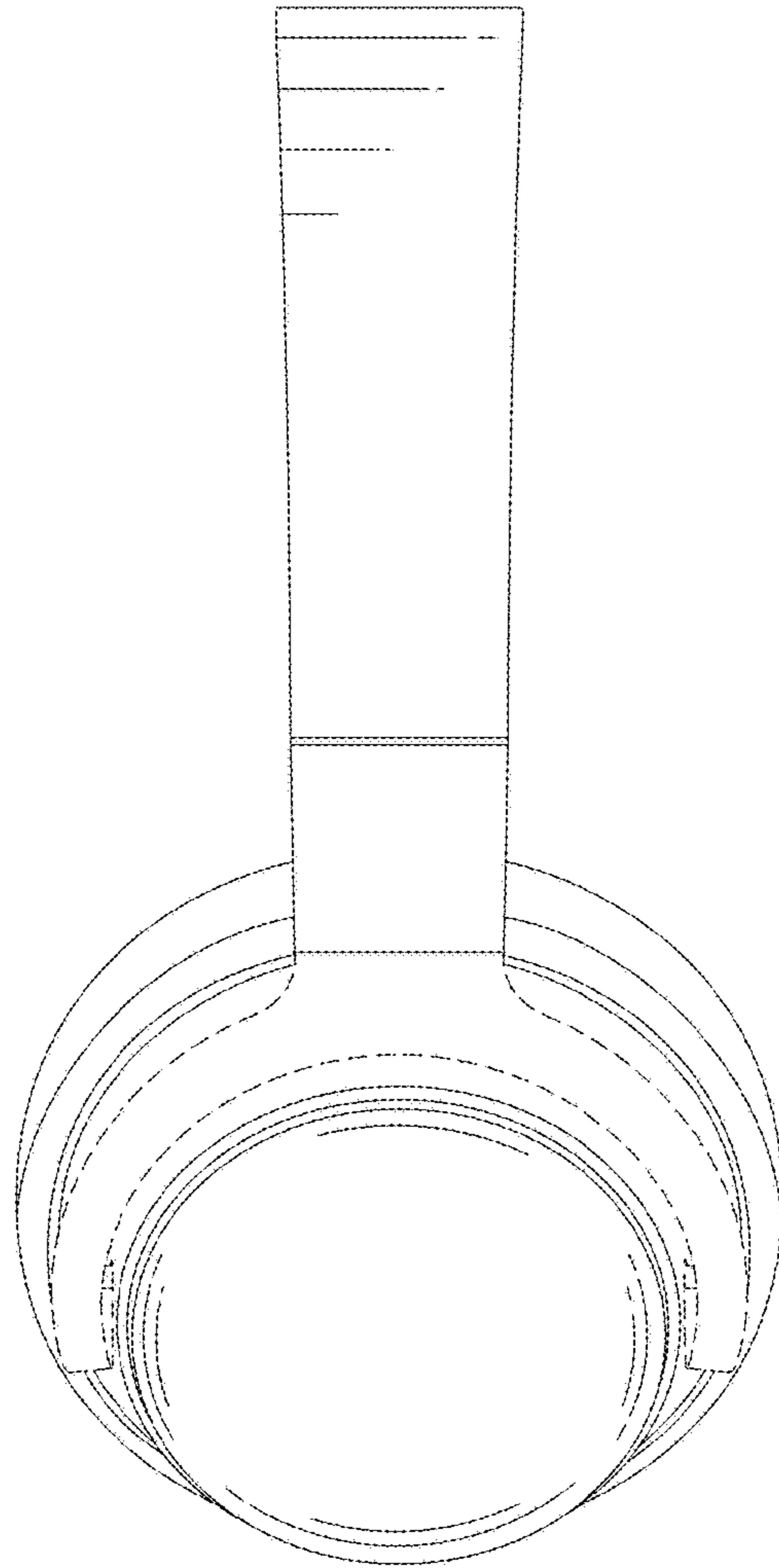


Fig.3

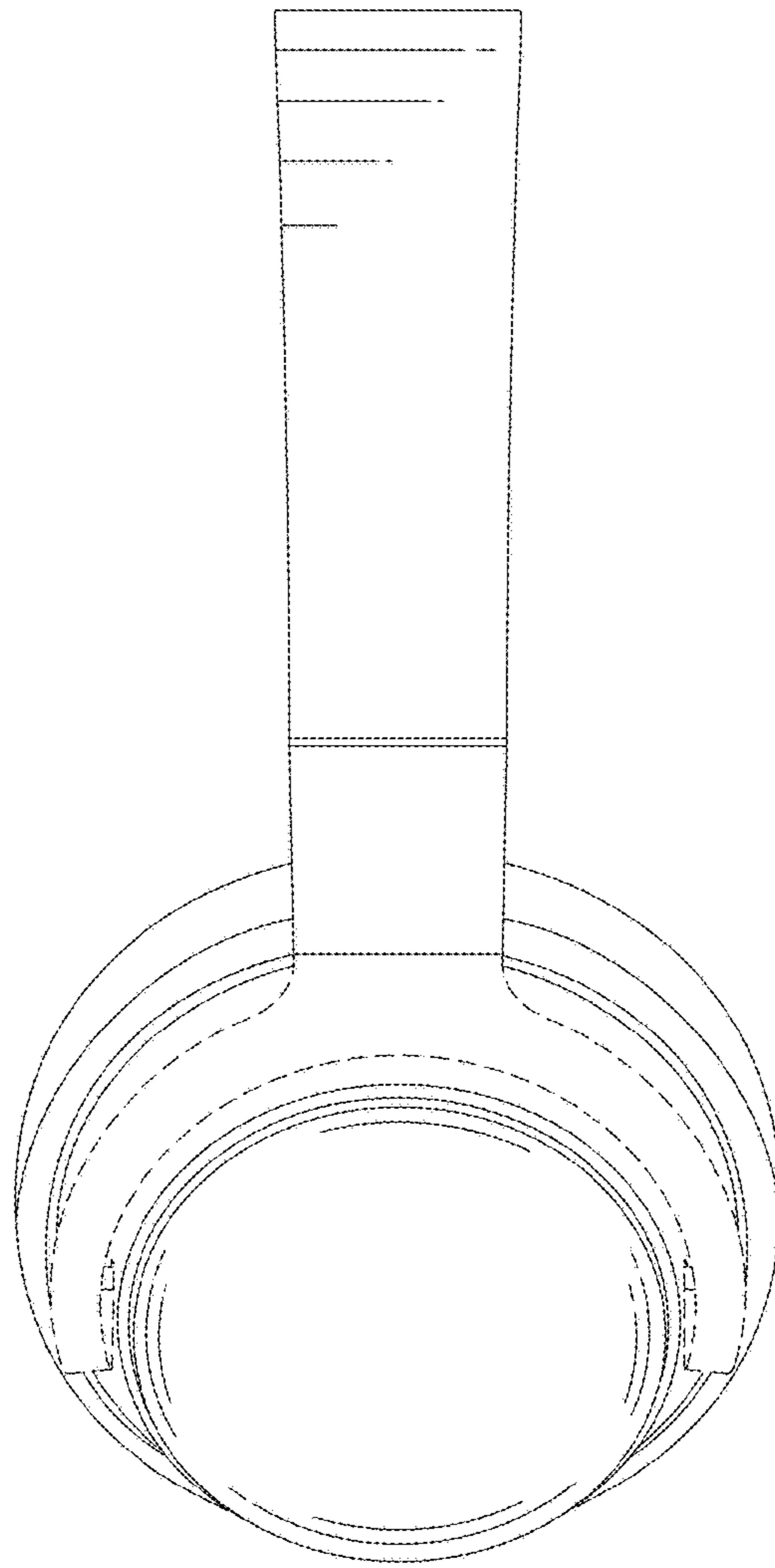


Fig. 4

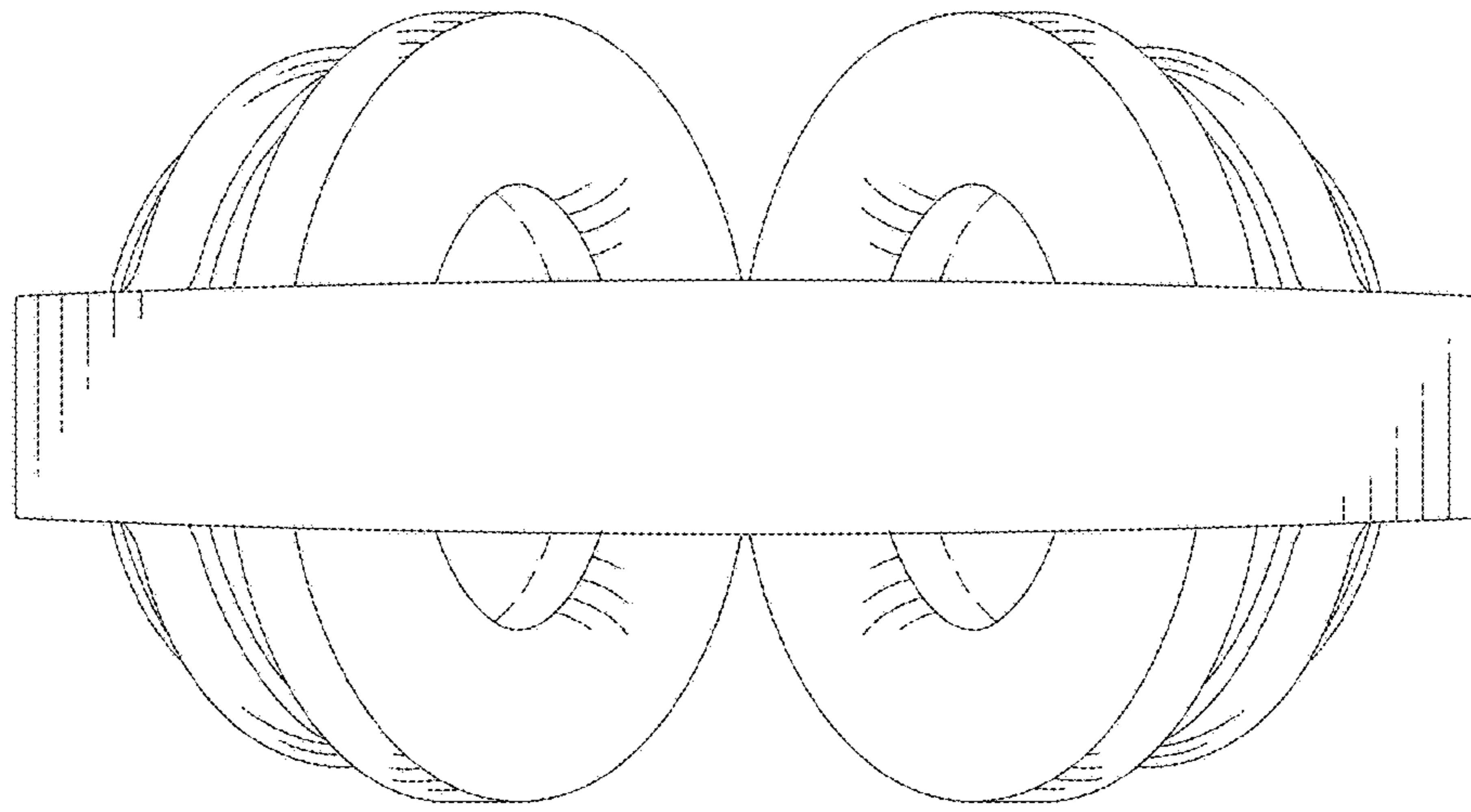


Fig.5

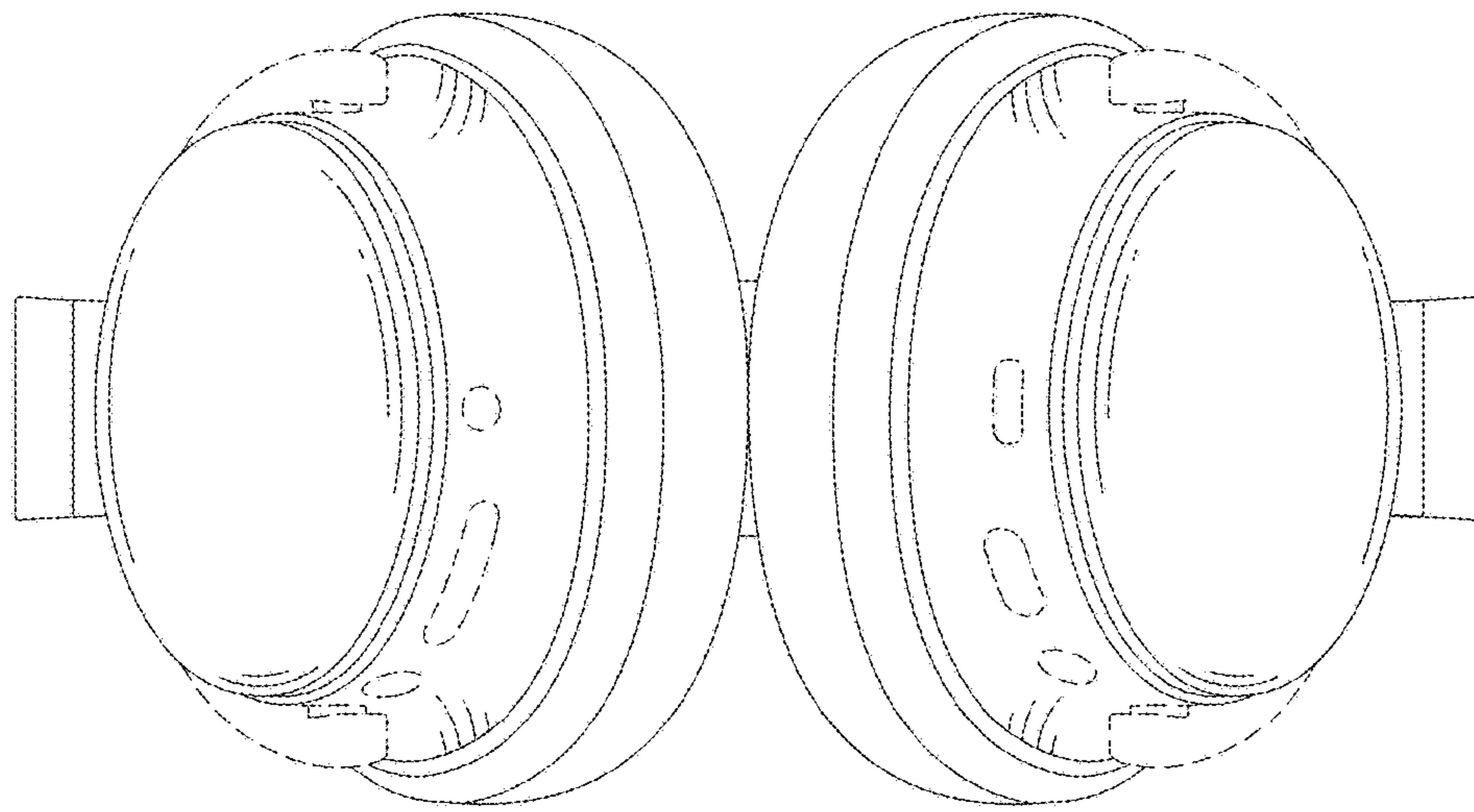


Fig. 6

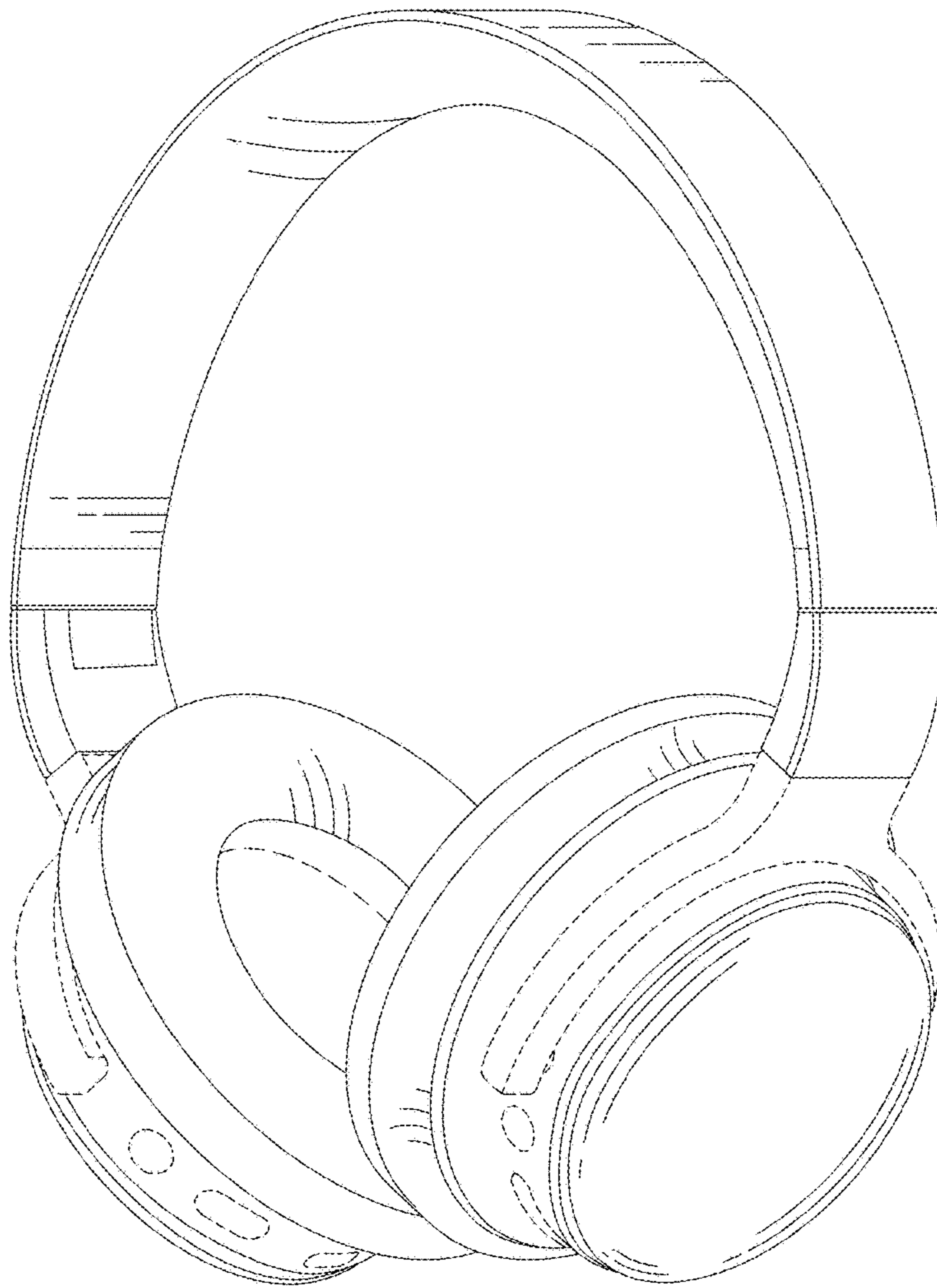


Fig. 7

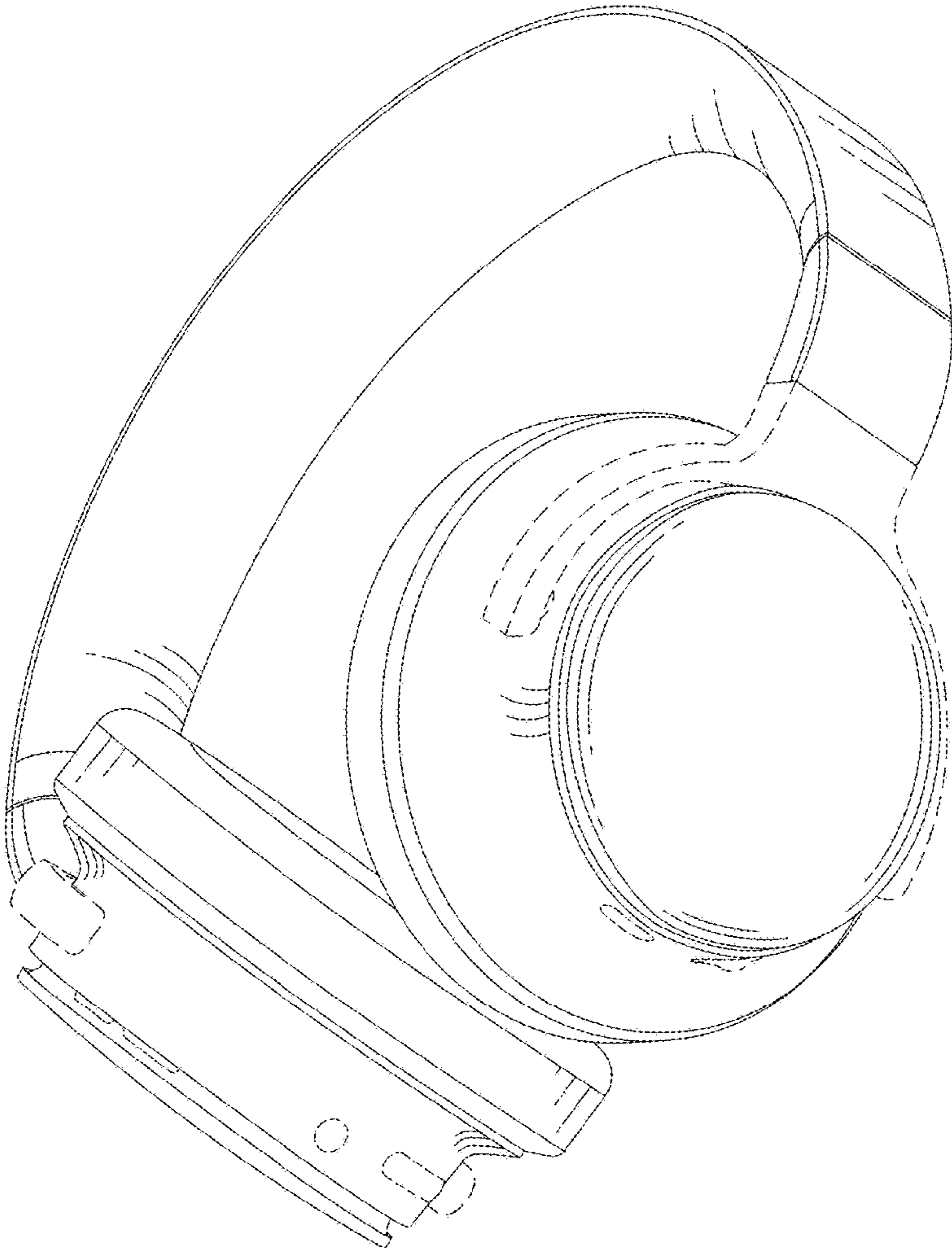


Fig. 8