



US00D865704S

(12) **United States Design Patent**
Agranat et al.

(10) **Patent No.:** **US D865,704 S**

(45) **Date of Patent:** **** Nov. 5, 2019**

(54) **AUDIO RECORDER ENCLOSURE**

(56) **References Cited**

(71) Applicant: **WILDLIFE ACOUSTICS, INC.**,
Maynard, MA (US)

U.S. PATENT DOCUMENTS

(72) Inventors: **Ian Agranat**, Concord, MA (US);
Sherwood Kenneth Snyder, Ithaca,
NY (US); **Michael Cattafe**, Concord,
MA (US); **Aaron Grossman**, Medford,
MA (US)

D461,179	S	*	8/2002	Christianson	D14/141.1
D467,893	S	*	12/2002	Yamada	D14/167
D512,406	S	*	12/2005	Shimizu	D14/167
D512,408	S	*	12/2005	Suzuki	D14/167
D549,211	S	*	8/2007	Oas	D14/167
D552,590	S	*	10/2007	Bhavnani	D14/167
D559,829	S	*	1/2008	Ranney	D14/167
D615,067	S	*	5/2010	Wilson	D14/167
D643,399	S	*	8/2011	Clemons	D14/167
D676,075	S	*	2/2013	Ku	D14/167
D707,198	S	*	6/2014	Bouzid	D14/167
D719,127	S	*	12/2014	Nishiwaki	D14/167
D798,903	S	*	10/2017	Isozaki	D14/496
D825,520	S	*	8/2018	Zhang	D14/167

(73) Assignee: **WILDLIFE ACOUSTICS, INC.**,
Maynard, MA (US)

(**) Term: **15 Years**

* cited by examiner

(21) Appl. No.: **29/619,569**

Primary Examiner — Austin Murphy

(22) Filed: **Sep. 29, 2017**

(74) *Attorney, Agent, or Firm* — Lando & Anastasi, LLP

(51) **LOC (12) Cl.** **14-01**

(57) **CLAIM**

(52) **U.S. Cl.**
USPC **D14/167**

The ornamental design for an audio recorder enclosure, as shown and described.

(58) **Field of Classification Search**

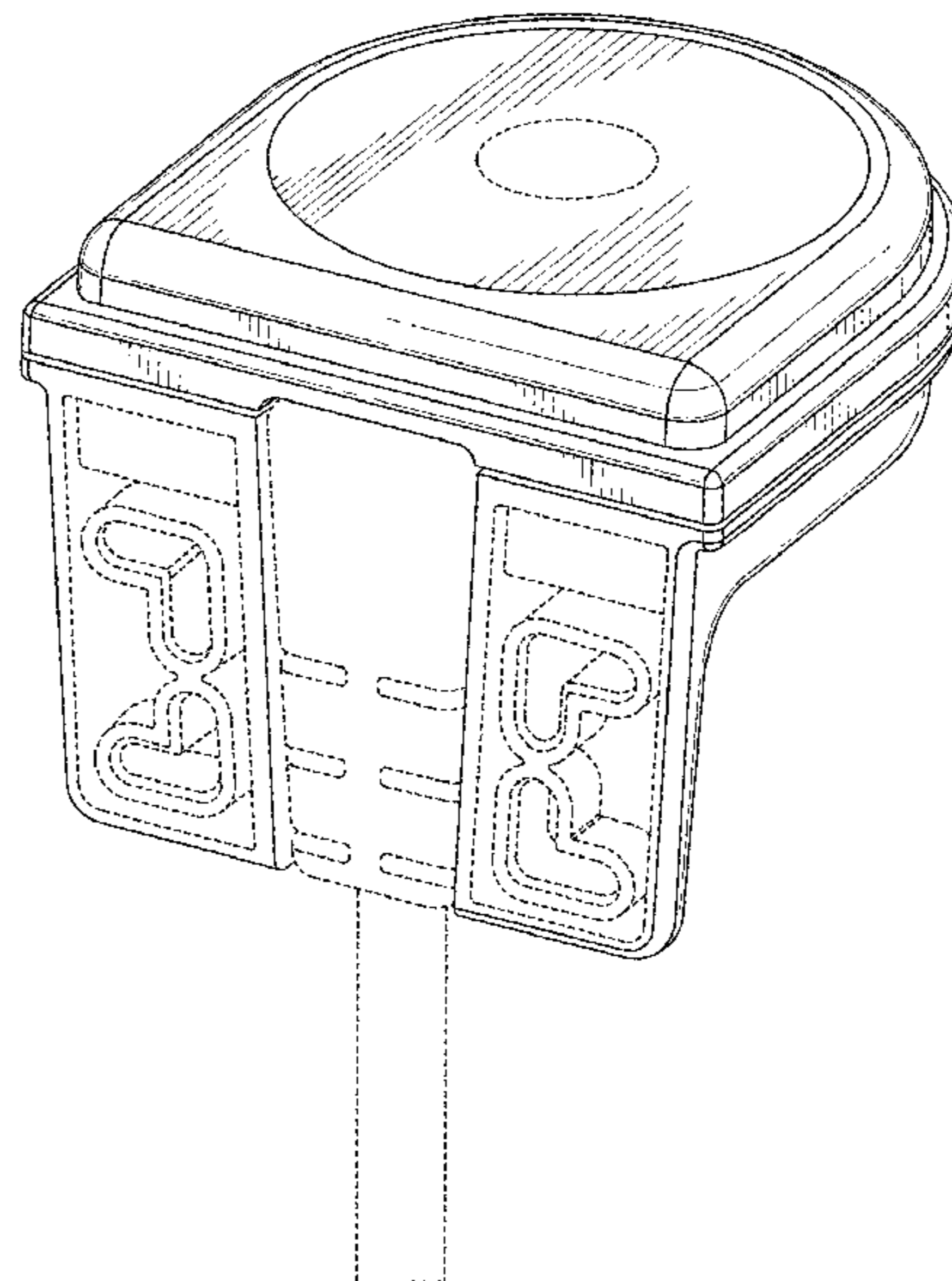
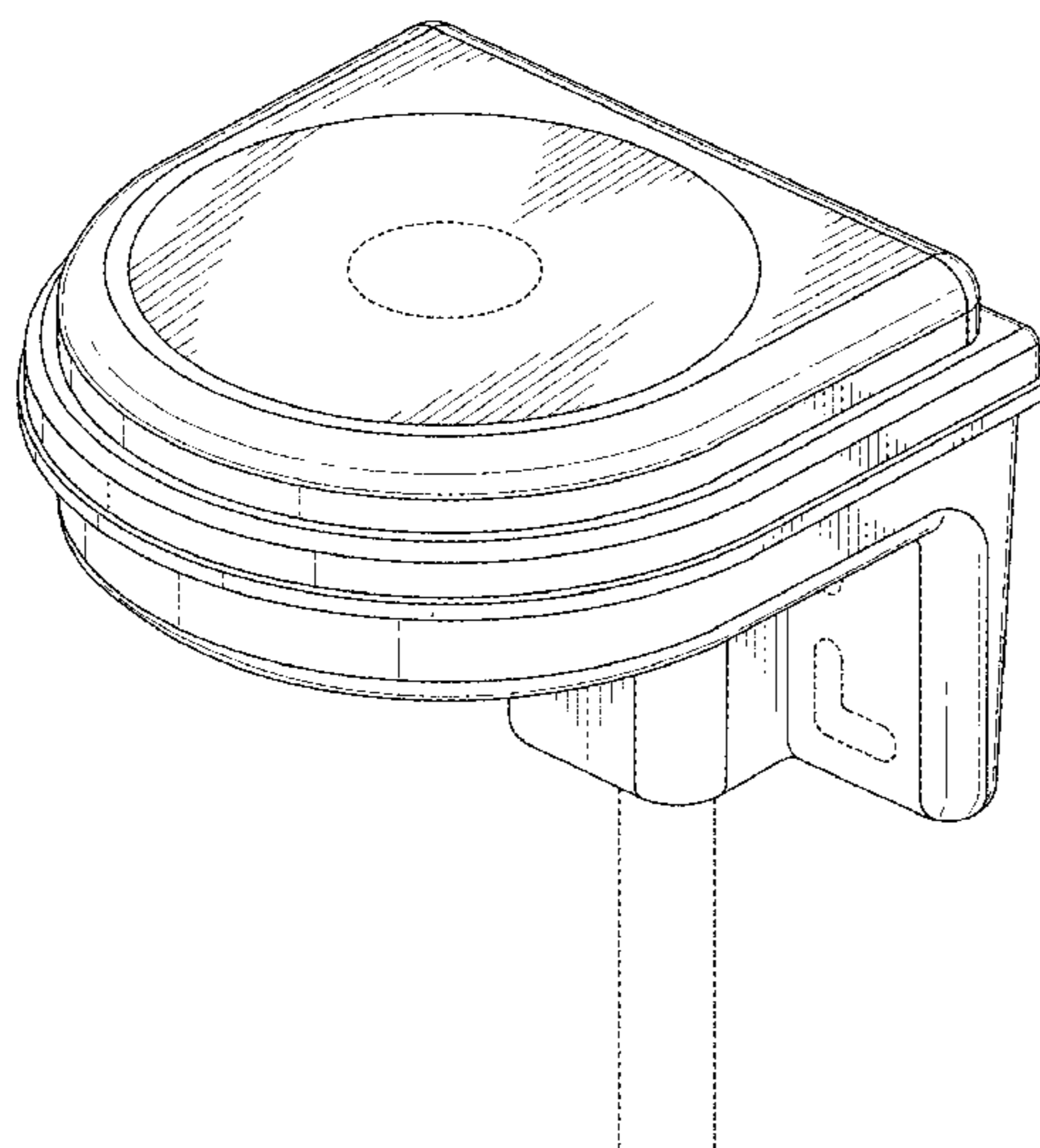
DESCRIPTION

USPC D14/167, 154, 168, 188, 496, 156, 160,
D14/161, 162, 163, 164, 165, 158, 203.1,
D14/341, 346, 342, 345, 225, 226, 228,
D14/227, 214; 455/351, 350; D19/60,
D19/62; D21/330; 369/44.14, 44.32;
700/94; D16/202
CPC H04N 13/004; H04N 5/85; H04N 9/8227;
H04N 13/0055; H04N 19/597; H04N
19/61; H04N 21/42646; H04N 21/4325;
H04N 1/234327; G11B 27/034; G11B
27/11

FIG. 1 is a front perspective view of an audio recorder enclosure showing a first embodiment of the design;
FIG. 2 is a back perspective view thereof;
FIG. 3 is a front elevational view thereof;
FIG. 4 is a back elevational view thereof;
FIG. 5 is a right side elevational view thereof;
FIG. 6 is a left side elevational view thereof;
FIG. 7 is a top plan view thereof; and,
FIG. 8 is a bottom plan view thereof.
The broken lines shown in the figures are for illustrative purposes only and form no part of the claimed design.

See application file for complete search history.

1 Claim, 8 Drawing Sheets



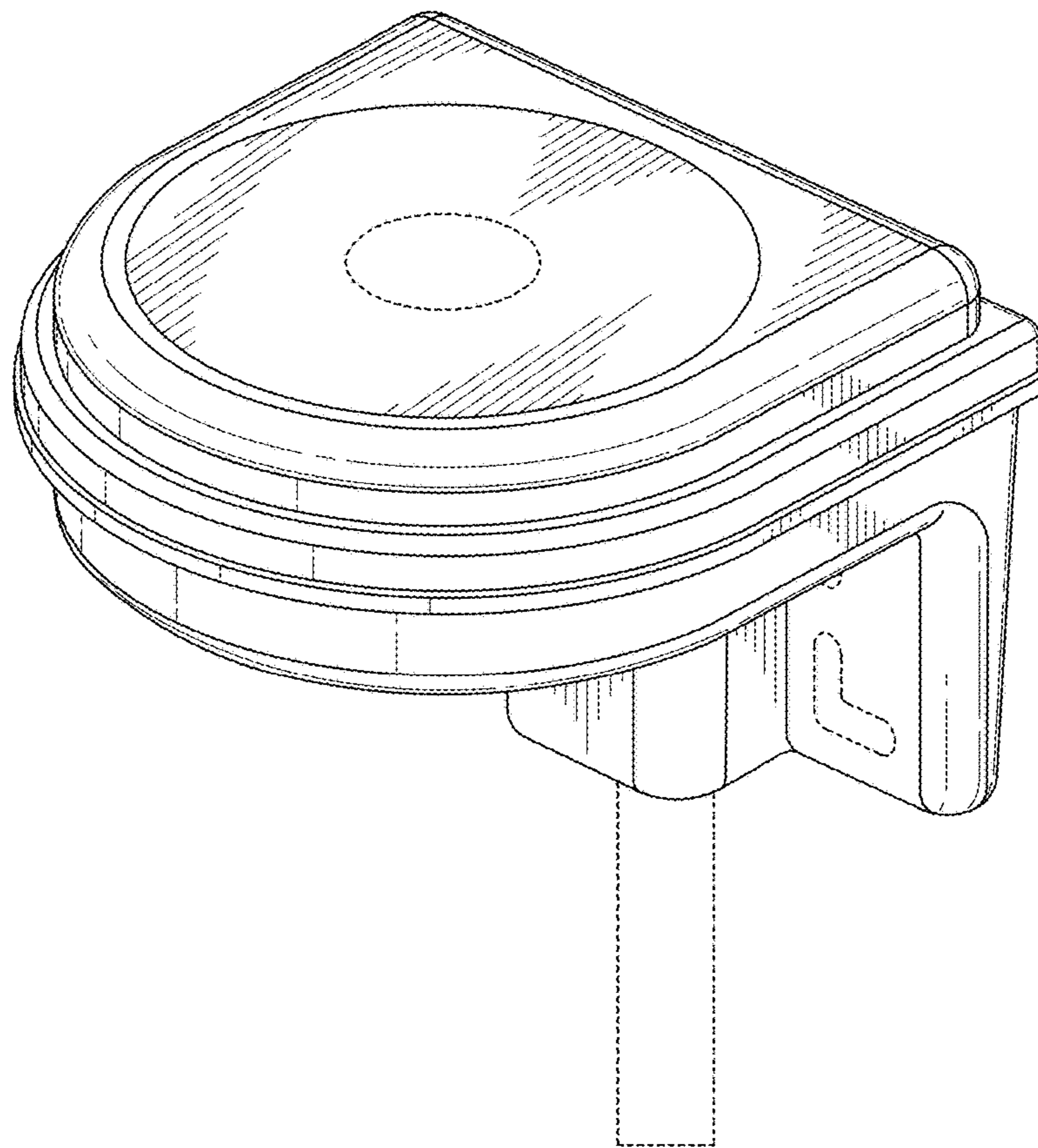


FIG. 1

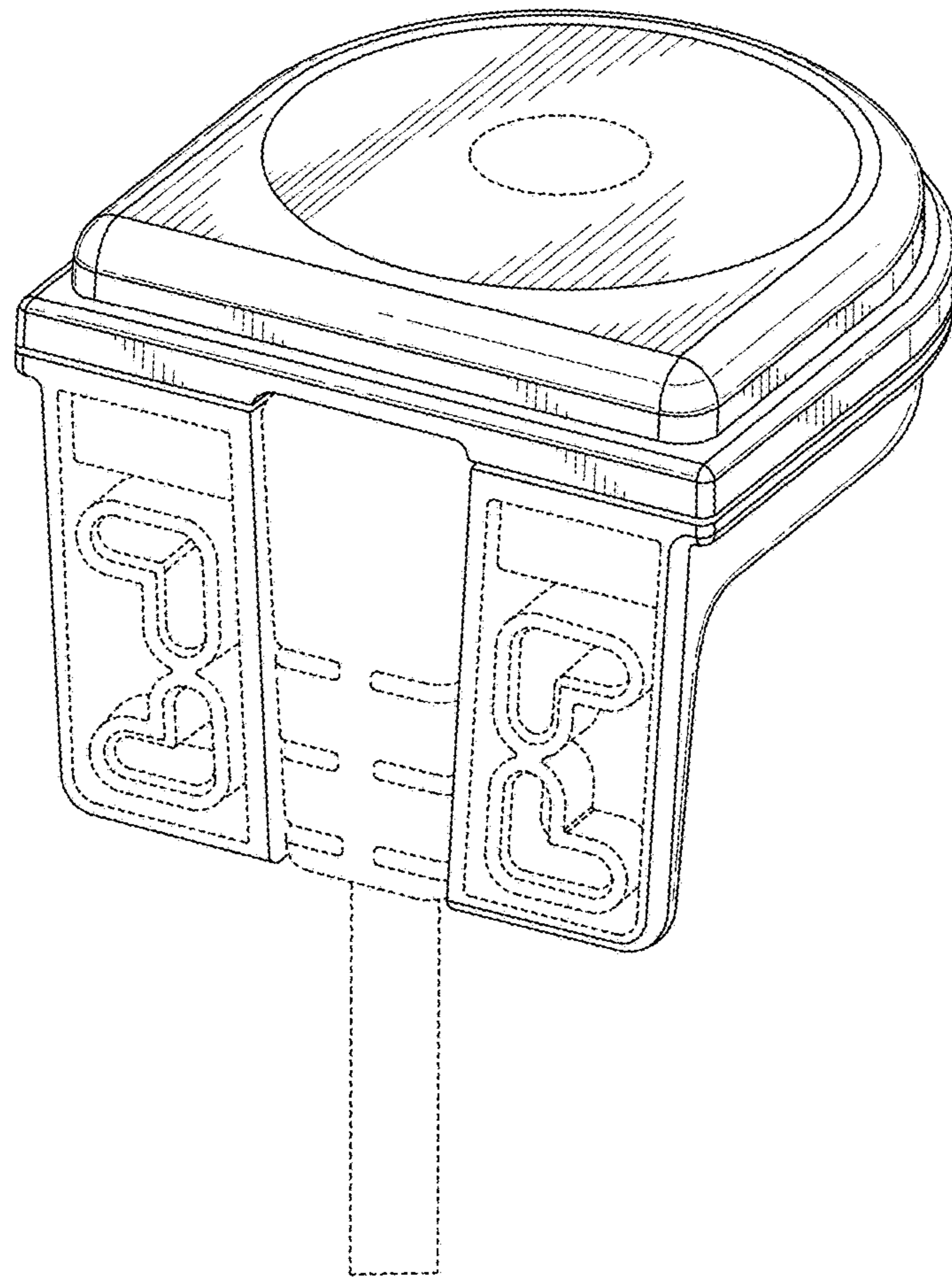


FIG. 2

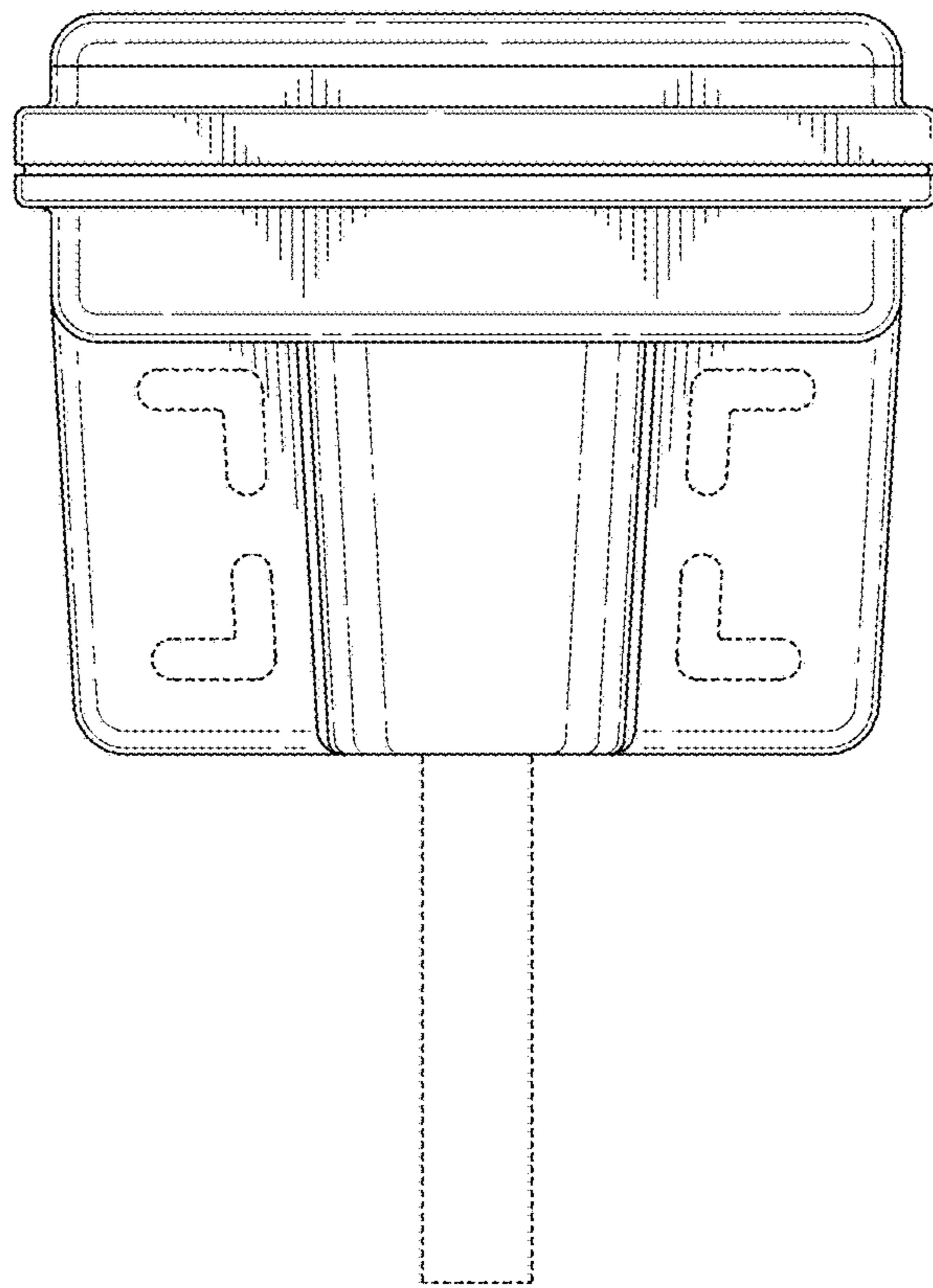


FIG. 3

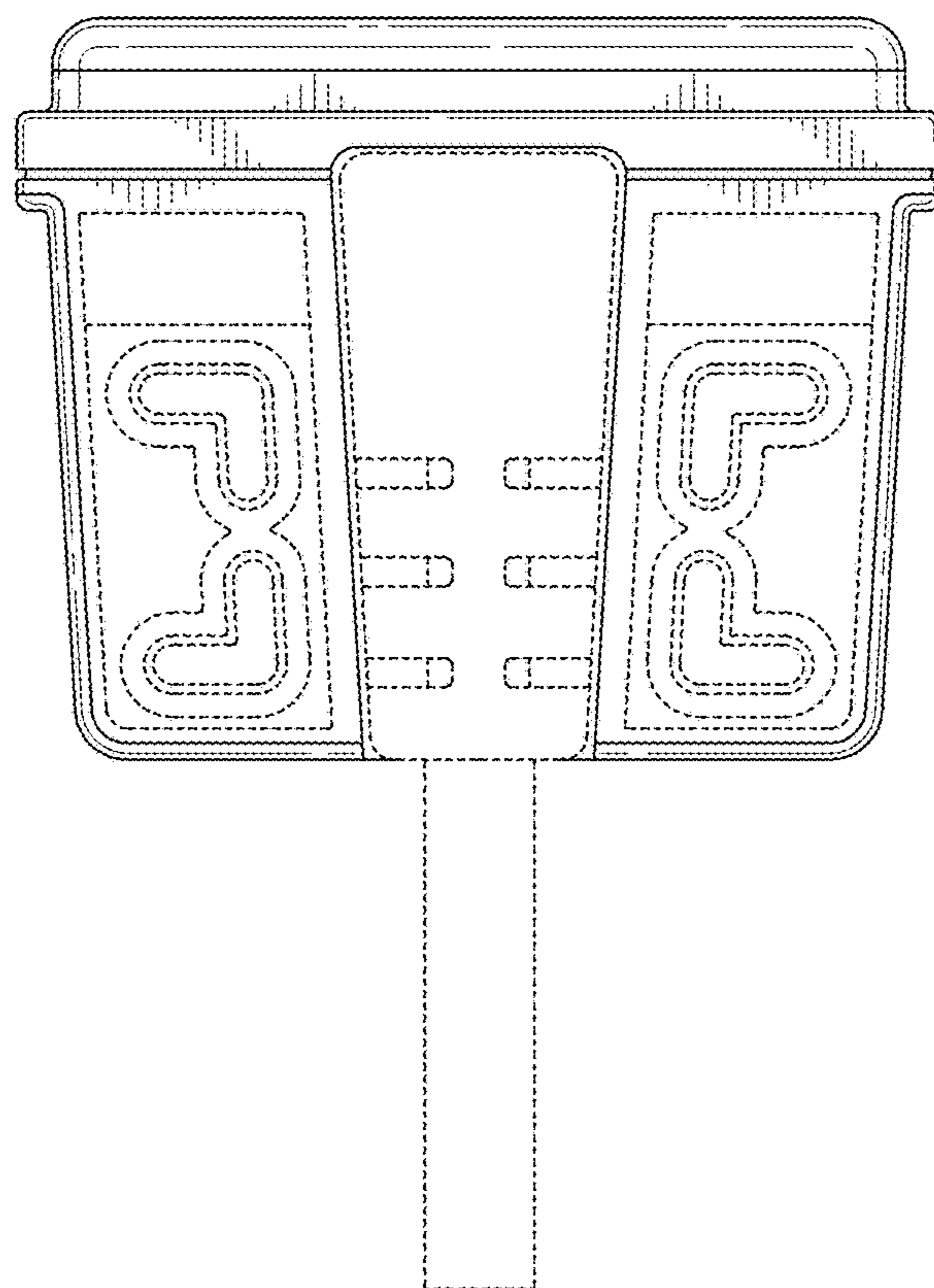


FIG. 4

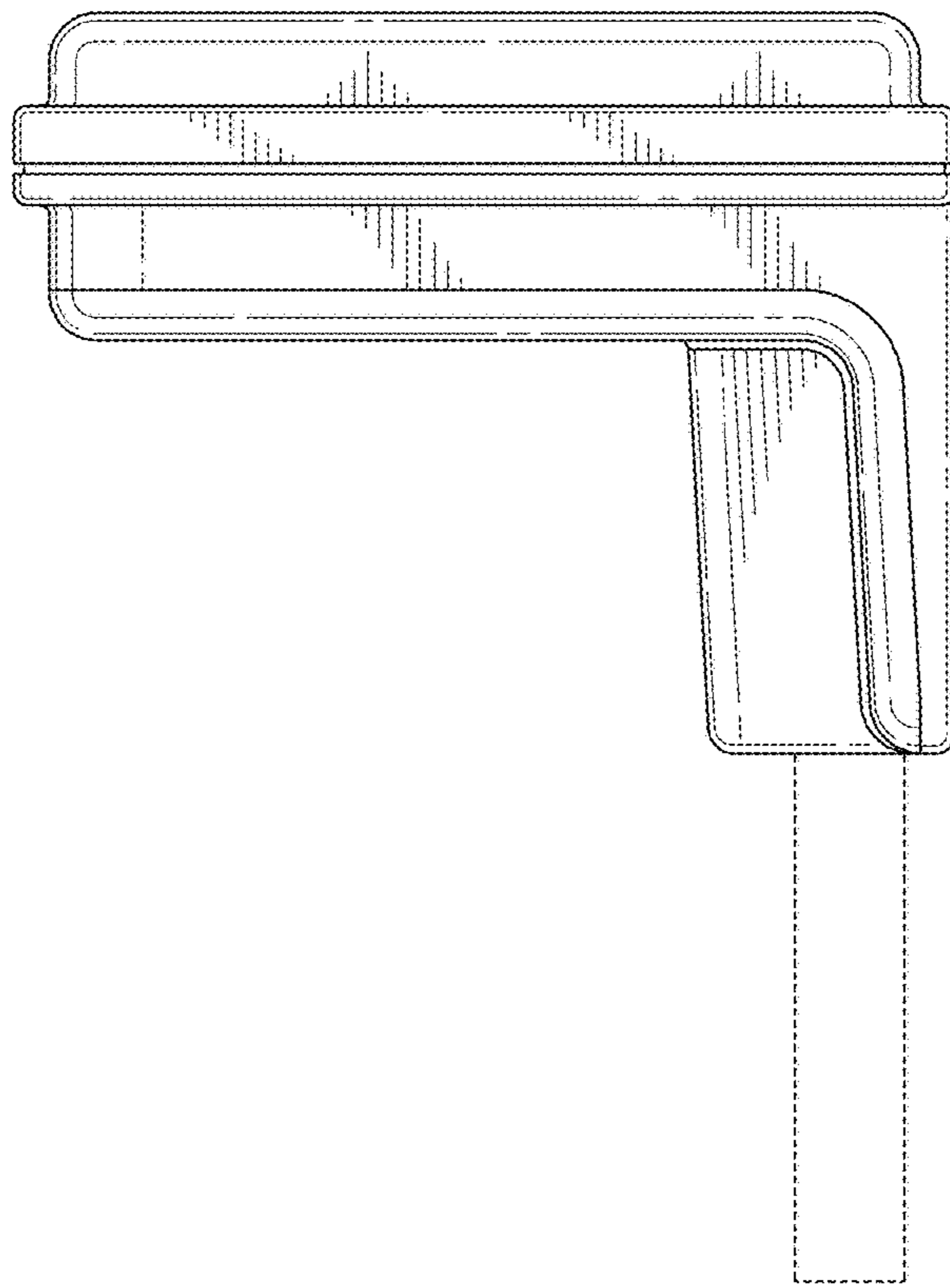


FIG. 5

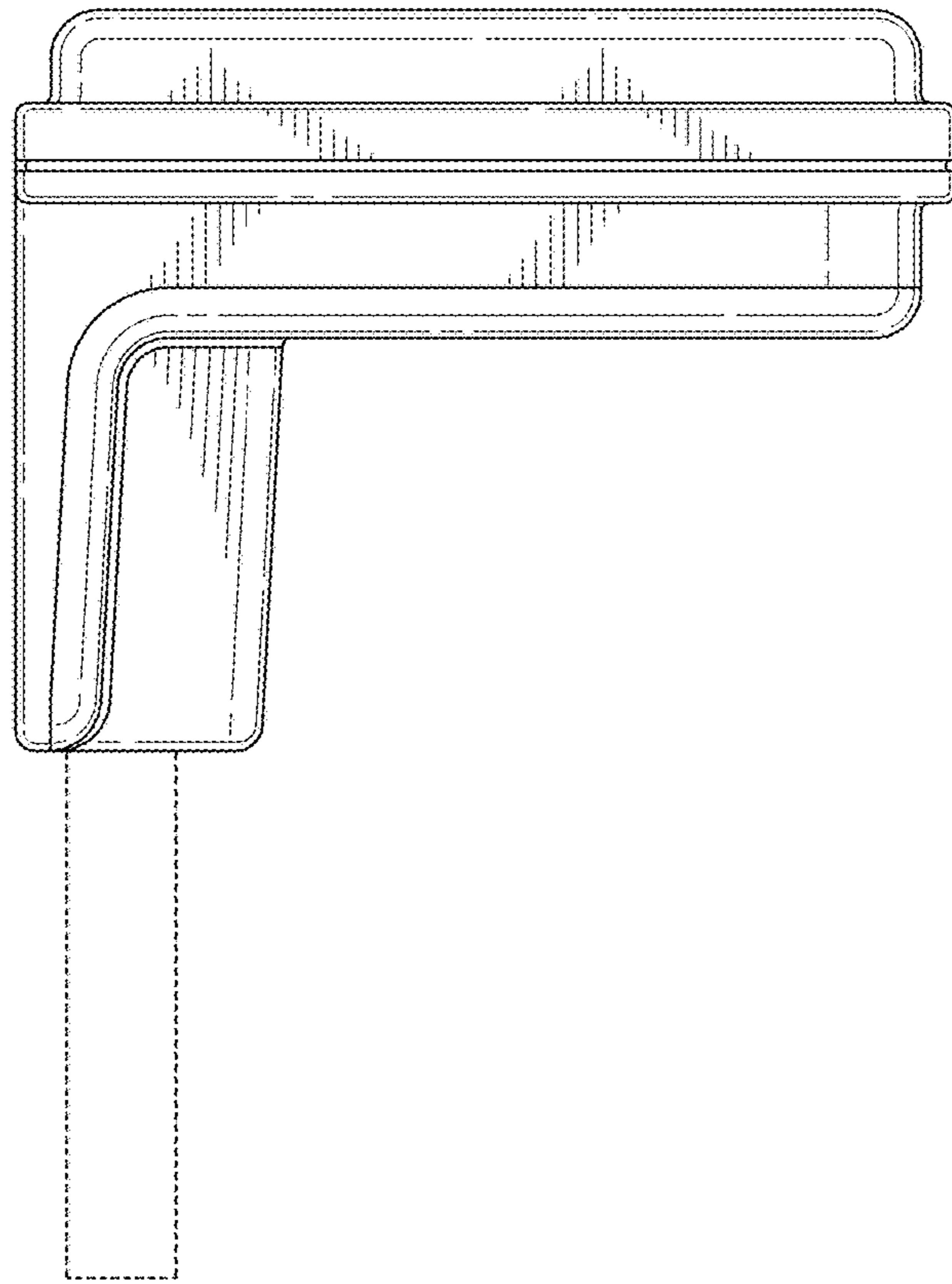


FIG. 6

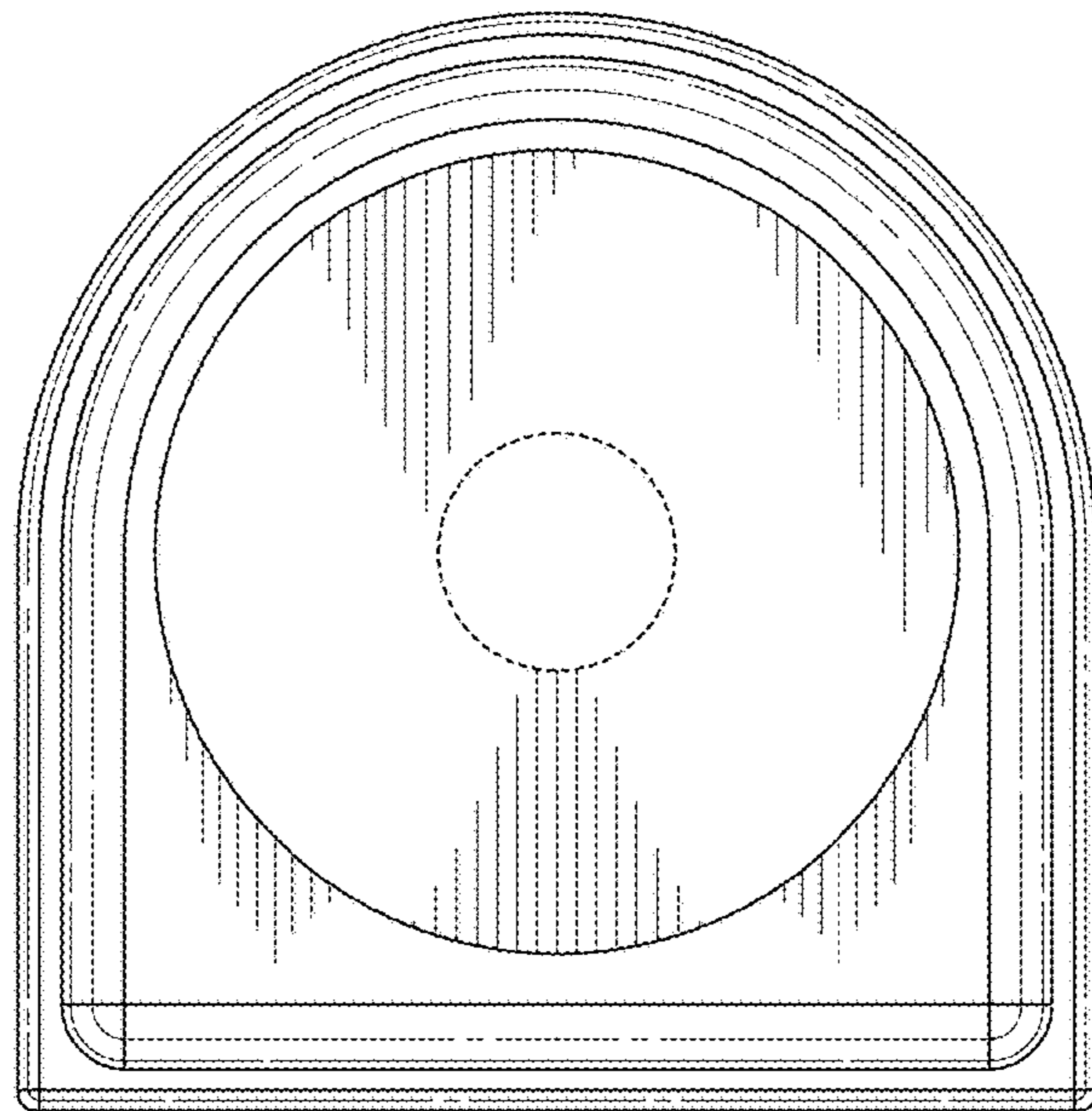


FIG. 7

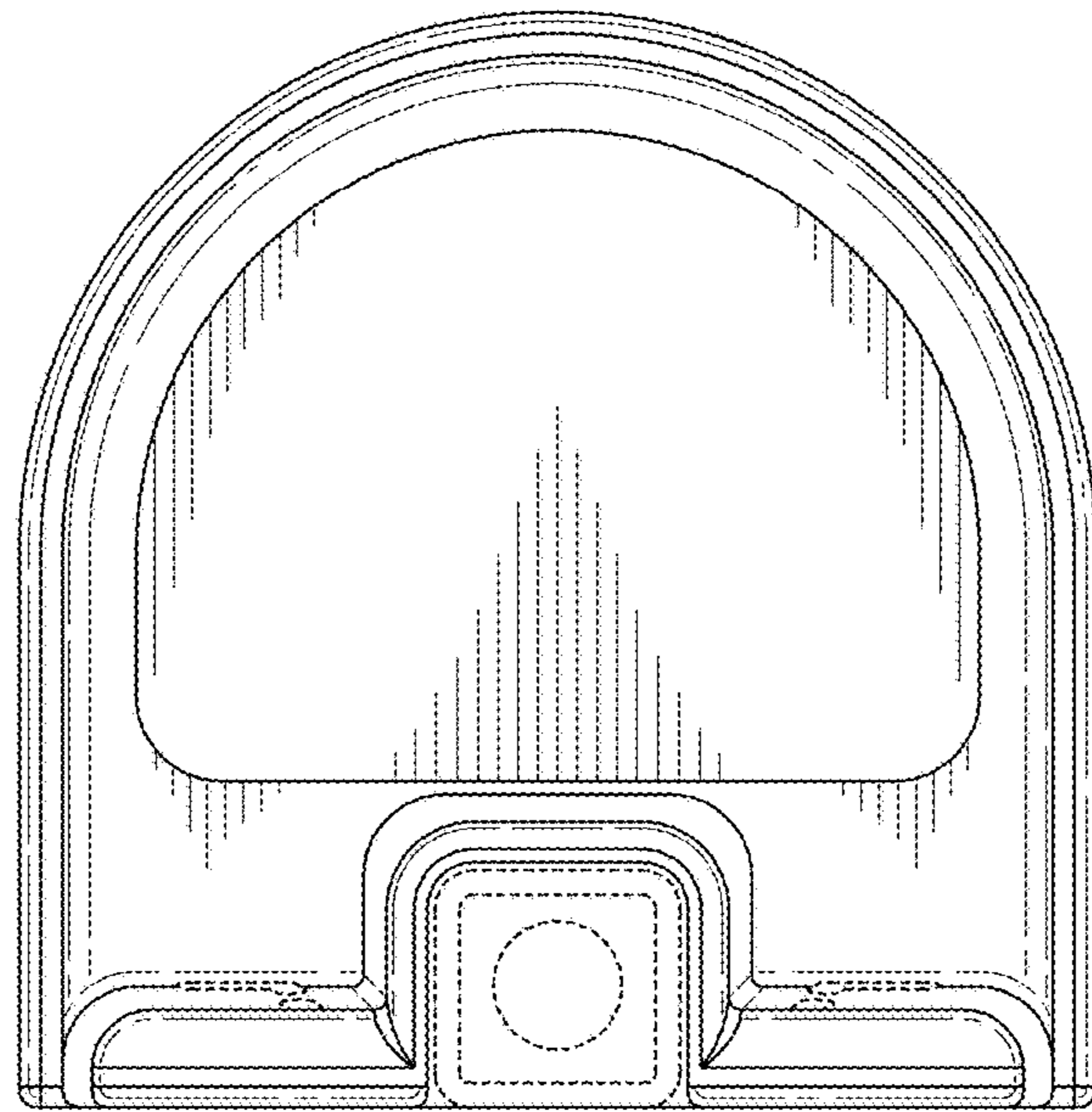


FIG. 8