



US00D865699S

(12) **United States Design Patent** (10) **Patent No.:** **US D865,699 S**
Kim et al. (45) **Date of Patent:** **** Nov. 5, 2019**

(54) **TELEVISION RECEIVER**

FOREIGN PATENT DOCUMENTS

(71) Applicant: **SAMSUNG ELECTRONICS CO., LTD.**, Suwon-si (KR)
(72) Inventors: **Ji-Gwang Kim**, Seoul (KR); **Jaewook Yoo**, Seoul (KR); **Sangmin Hyun**, Seoul (KR)

CN 303239576 6/2015
CN 303591215 2/2016
CN 303746332 7/2016
CN 303932556 11/2016
CN 304066021 3/2017
CN 304104276 4/2017

(73) Assignee: **SAMSUNG ELECTRONICS CO., LTD.**, Gyeonggi-Do (KR)

* cited by examiner

(**) Term: **15 Years**

Primary Examiner — Randall H Gholson

(21) Appl. No.: **29/655,438**

(74) *Attorney, Agent, or Firm* — Cantor Colburn LLP

(22) Filed: **Jul. 3, 2018**

(57) **CLAIM**

(30) **Foreign Application Priority Data**

The ornamental design for a television receiver, as shown and described.

Jan. 8, 2018 (KR) 30-2018-0001198

(51) **LOC (12) Cl.** **14-03**

(52) **U.S. Cl.**
USPC **D14/126**

DESCRIPTION

(58) **Field of Classification Search**
USPC D14/125-134, 239, 371, 136, 374-377, D14/440, 450, 448, 336, 342, 159; 312/7.2; 348/836, 838, 180, 184, 325, 348/739; 248/917-924, 465; 345/104, 345/133, 156, 168, 87, 173; D21/329, D21/515, 577, 622, 333, 433, 448, 452, D21/450, 331, 505; D10/15, 26; 446/484, 175, 356; D6/477, 479, 300; D24/185; D34/14
CPC ... G06F 1/1601; G06F 1/1643; H05K 5/0004; H05K 5/0017; H05K 5/02; H05K 5/0217
See application file for complete search history.

FIG. 1 is a front perspective view of a television receiver, showing our new design;
FIG. 2 is a front view thereof;
FIG. 3 is a rear view thereof;
FIG. 4 is a left side view thereof;
FIG. 5 is a right side view thereof;
FIG. 6 is a top view thereof;
FIG. 7 is a bottom view thereof;
FIG. 8 is a rear perspective view thereof;
FIG. 9 is an enlarged view of the encircled portion 9 in FIG. 7; and,
FIG. 10 is an enlarged view of the encircled portion 10 in FIG. 7.

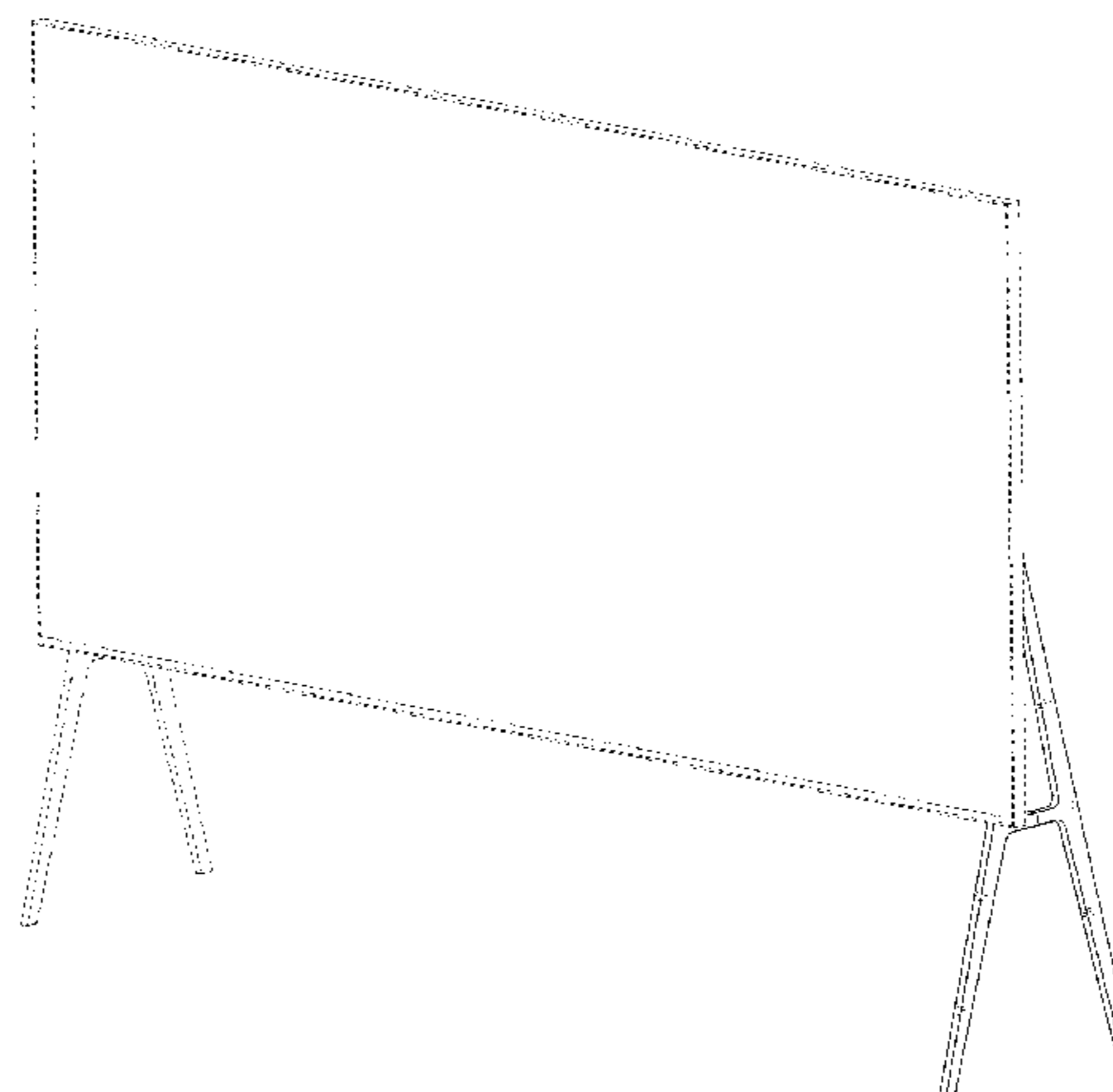
(56) **References Cited**

U.S. PATENT DOCUMENTS

D788,054 S * 5/2017 Choi D14/126
D799,443 S * 10/2017 Park D14/126
D823,824 S * 7/2018 Won D14/126

The evenly spaced dash-dash broken lines depict portions of the television receiver that form no part of the claimed design. The dot-dot-dash broken lines in FIGS. 7, 9, and 10 that encircle the portions of the drawing disclosure illustrated in an enlargement form no part of the claimed design.

1 Claim, 8 Drawing Sheets



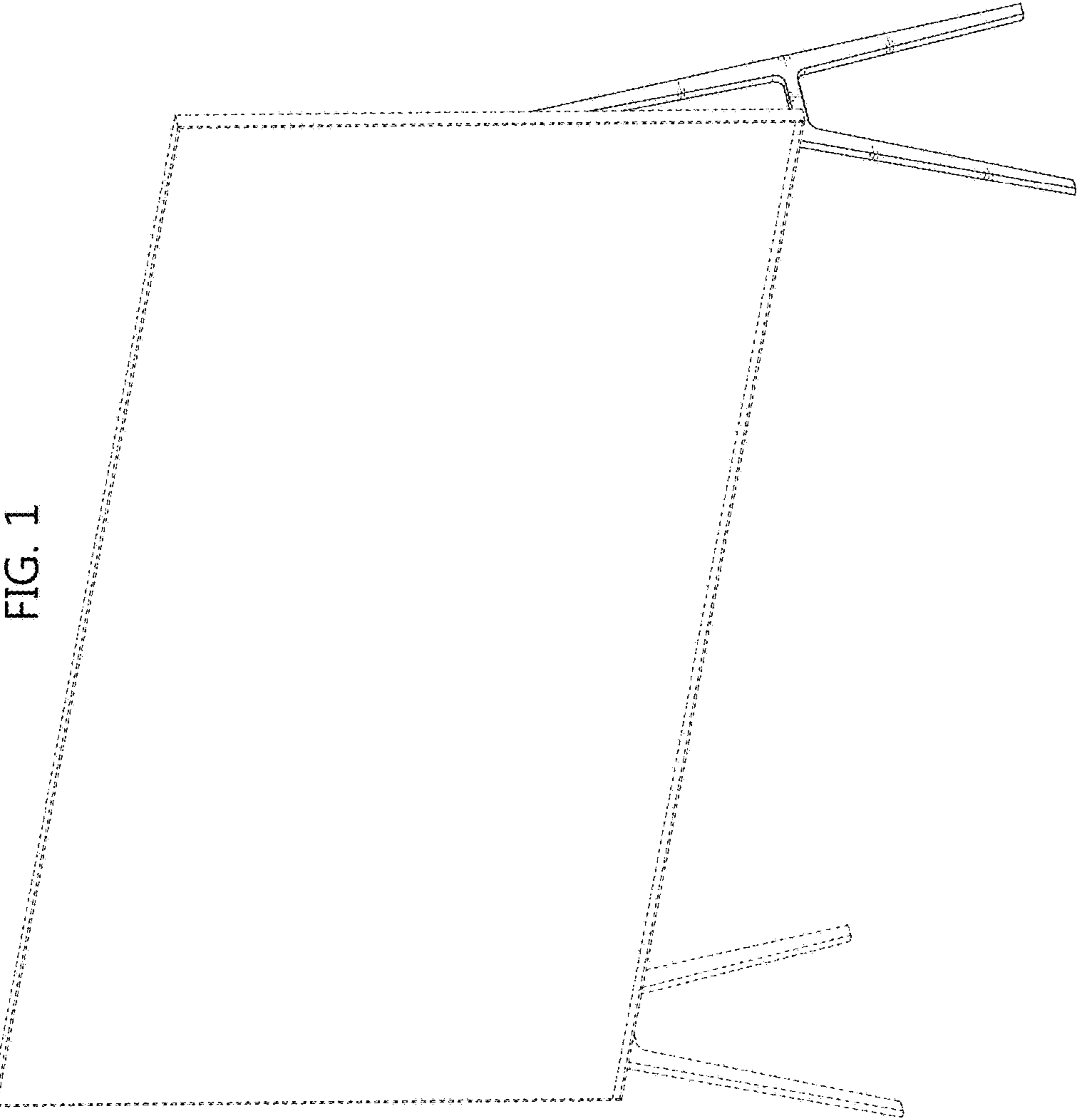


FIG. 1

FIG. 2

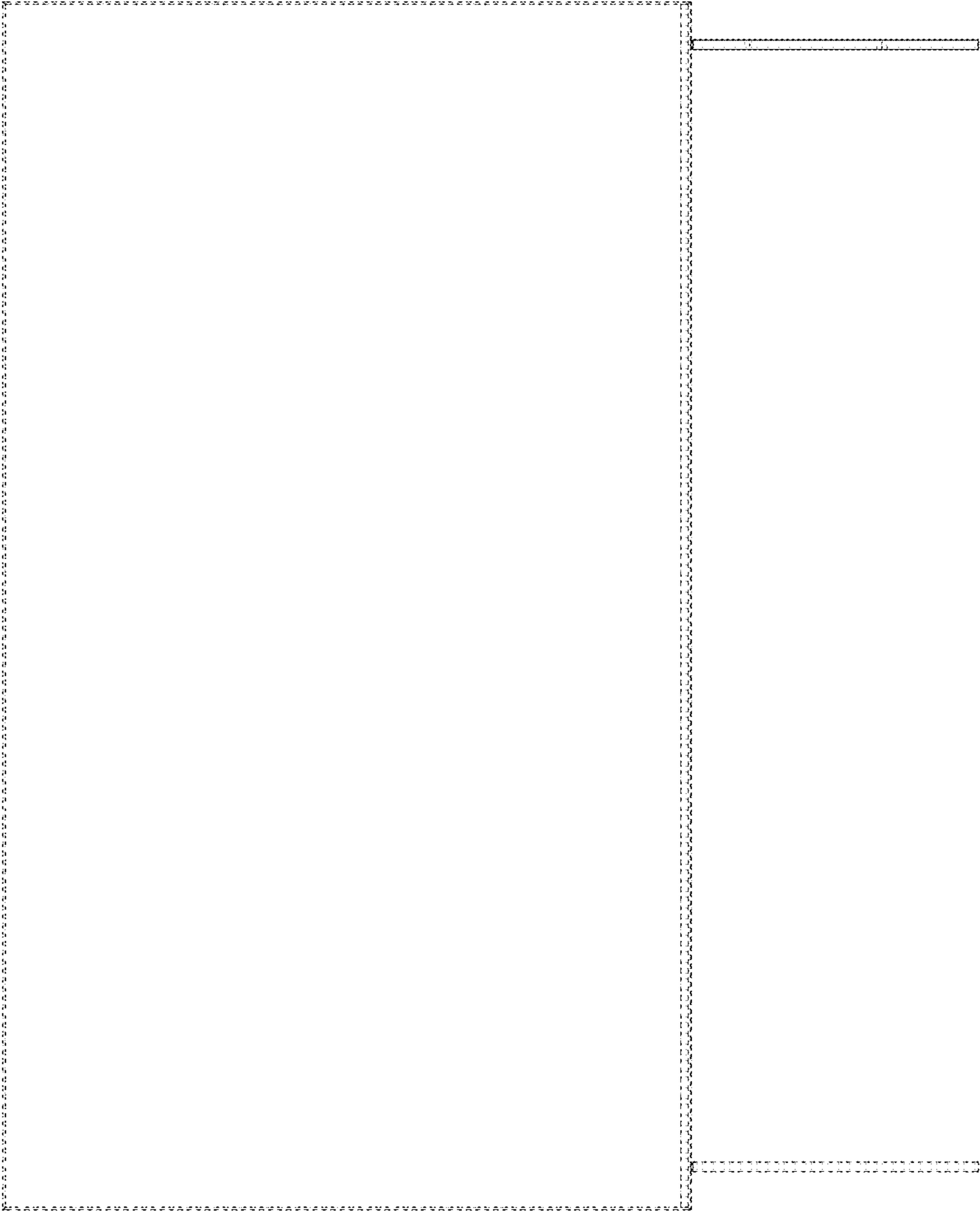


FIG. 3

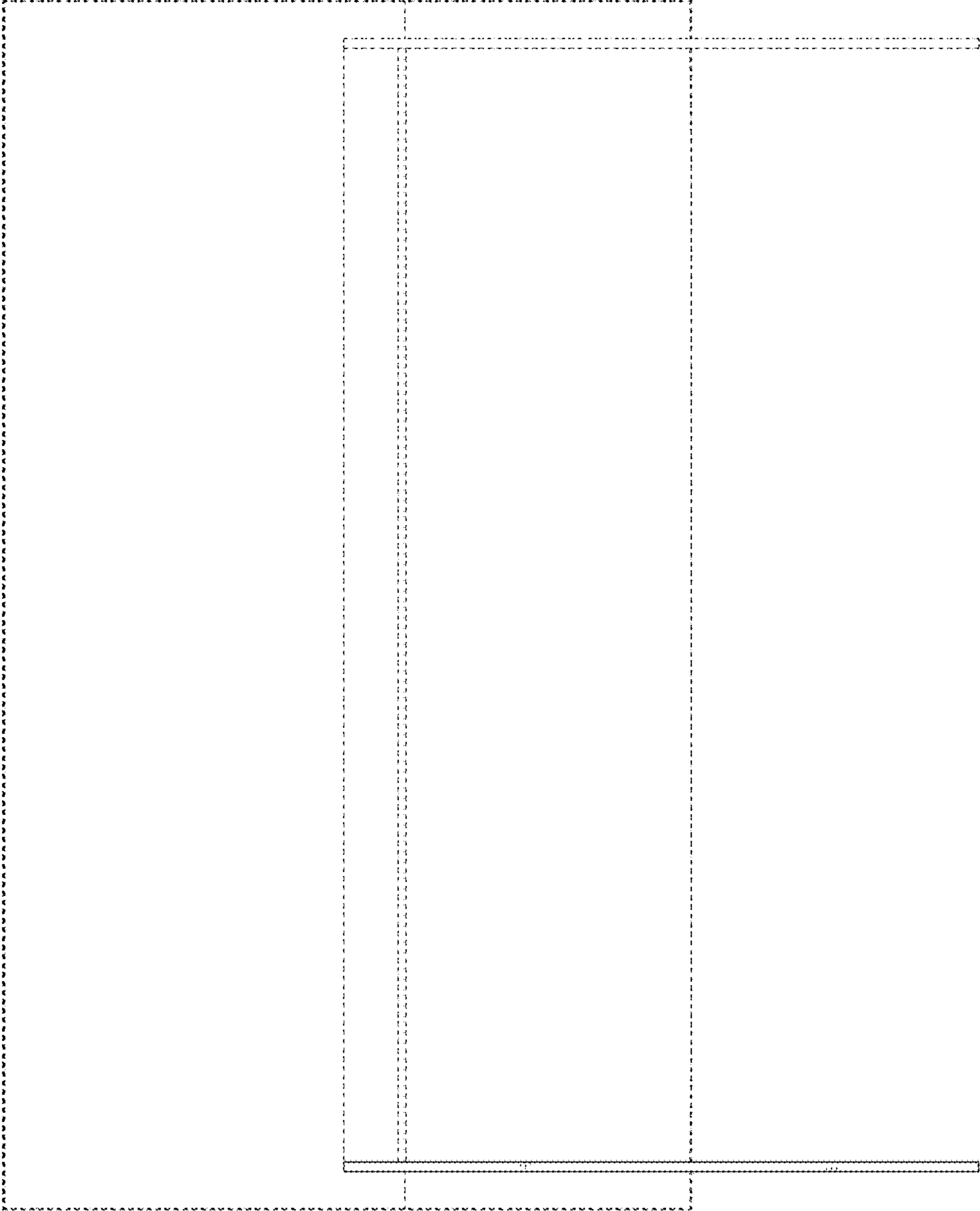


FIG. 5

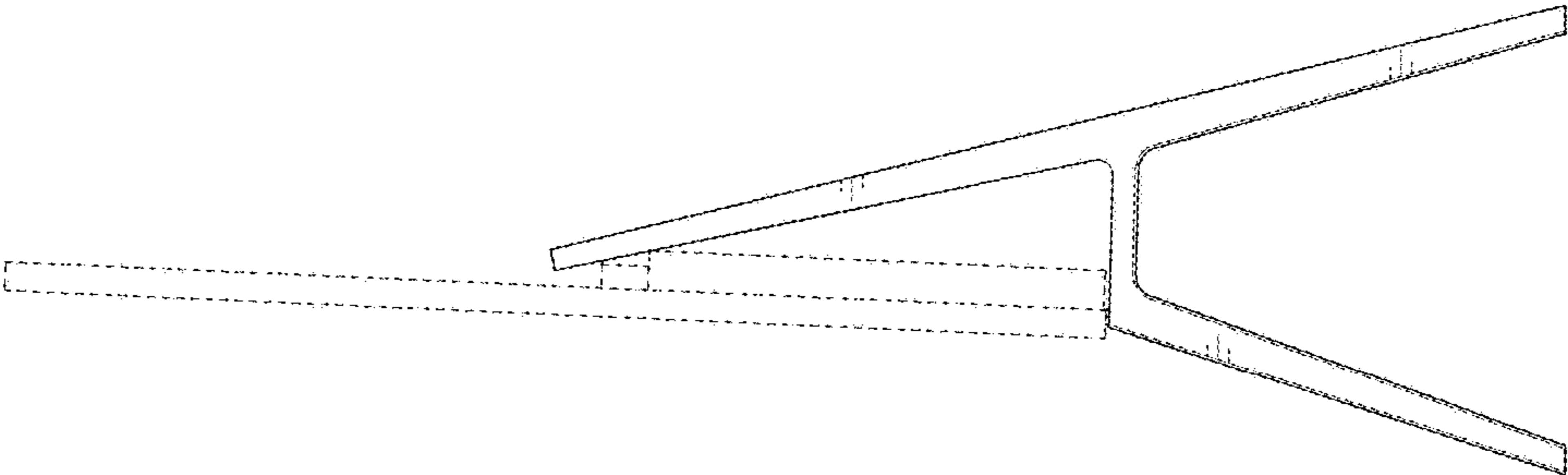


FIG. 4

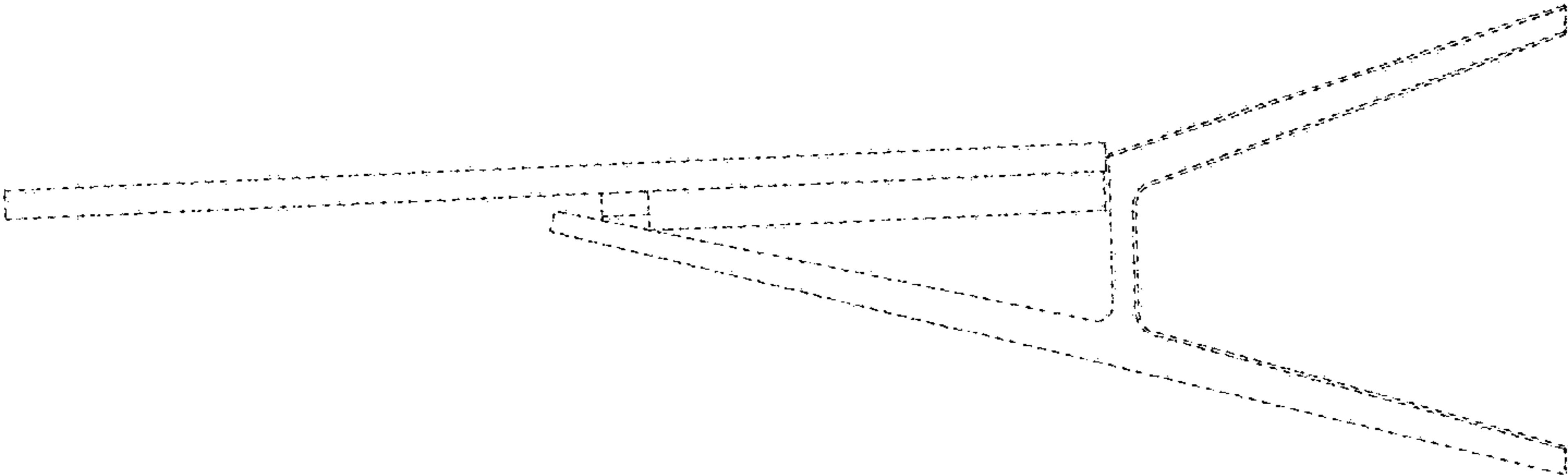


FIG. 6

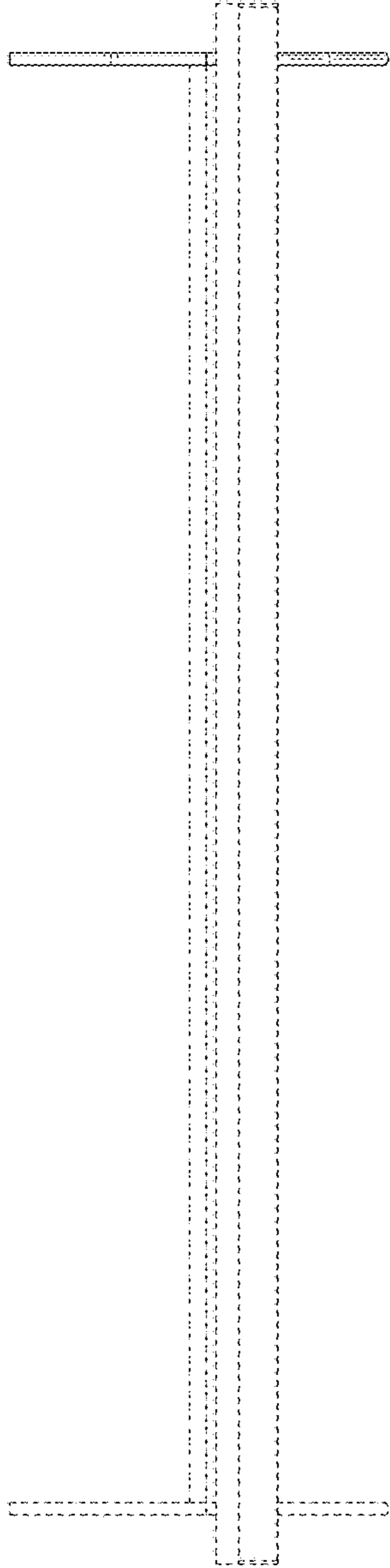


FIG. 7

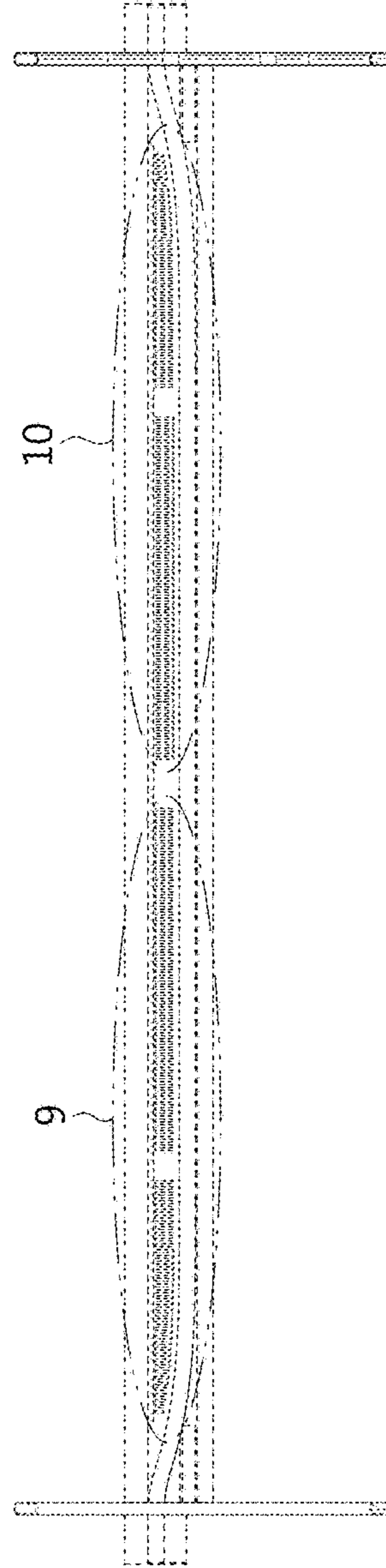


FIG. 8

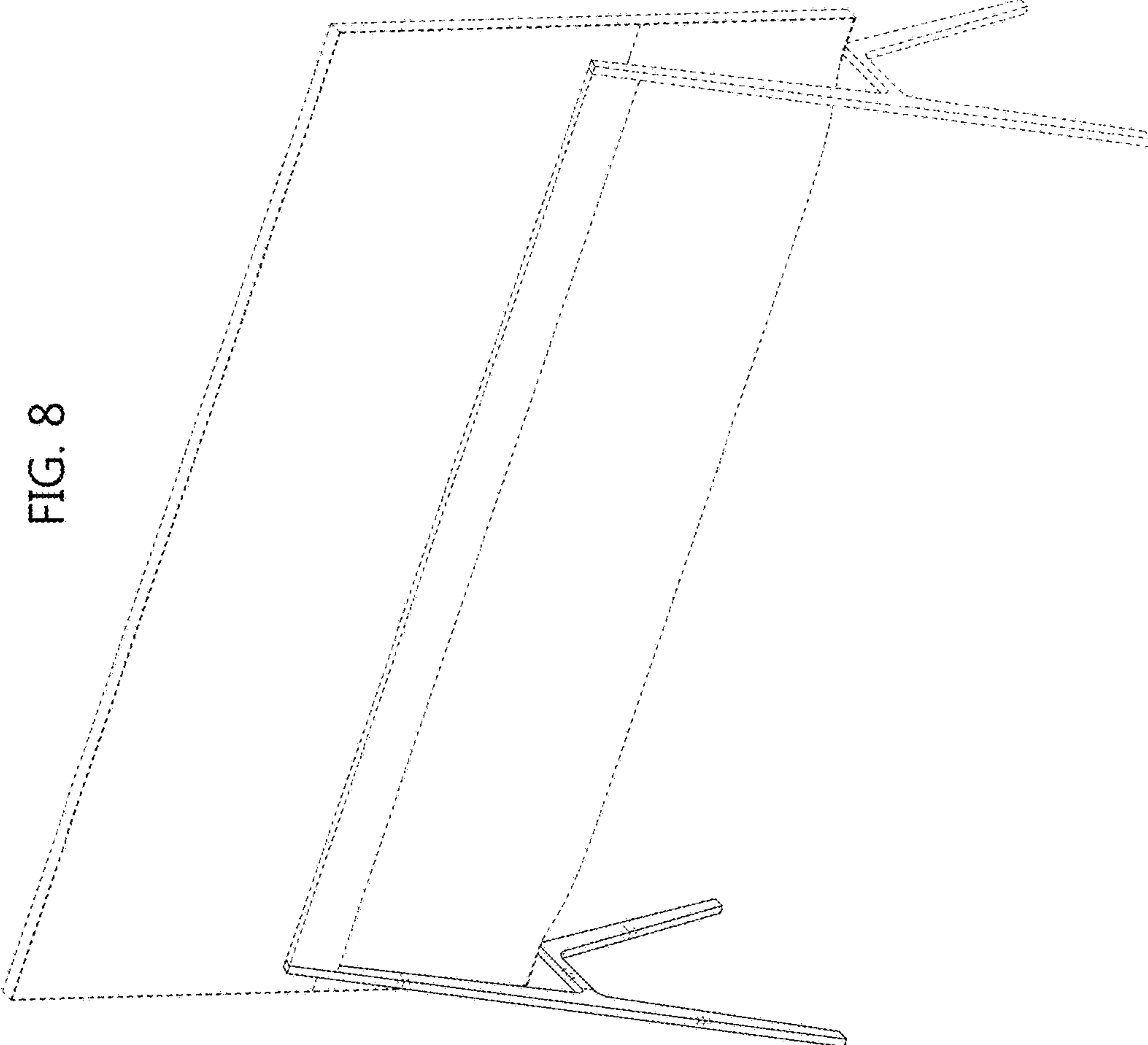


FIG. 9

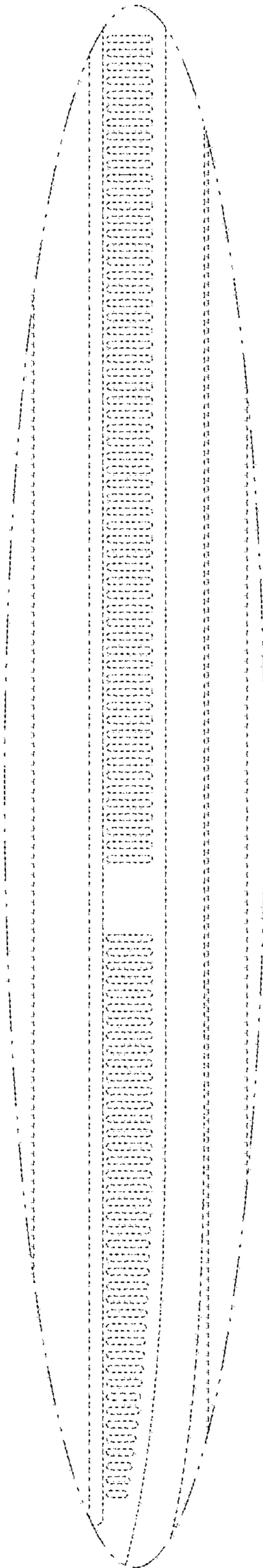


FIG. 10

