



US00D865698S

(12) **United States Design Patent** (10) **Patent No.:** **US D865,698 S**
Seong (45) **Date of Patent:** **** Nov. 5, 2019**

(54) **TELEVISION RECEIVER**

FOREIGN PATENT DOCUMENTS

(71) Applicant: **Samsung Electronics Co., Ltd.**,
Suwon-si (KR)

EM 001776006-0002 11/2010
EM 001329403-0005 6/2012
JP D1337815 8/2008

(72) Inventor: **Bo-Kyung Seong**, Daejeon-Si (KR)

Primary Examiner — Randall H Gholson
(74) *Attorney, Agent, or Firm* — NSIP Law

(73) Assignee: **Samsung Electronics Co., Ltd.**,
Suwon-si (KR)

(57) **CLAIM**

I claim the ornamental design for a television receiver, as shown and described.

(**) Term: **15 Years**

DESCRIPTION

(21) Appl. No.: **29/655,238**

(22) Filed: **Jul. 2, 2018**

(30) **Foreign Application Priority Data**

Jan. 3, 2018 (KR) 30-2018-0000454

(51) **LOC (12) Cl.** **14-03**

(52) **U.S. Cl.**
USPC **D14/126**

(58) **Field of Classification Search**

USPC D14/125-134, 239, 371, 136, 374-377,
D14/440, 450, 448, 336, 342, 159;
312/7.2; 348/836, 838, 180, 184, 325,
348/739; 248/917-924, 465; 345/104,
345/133, 156, 168, 87, 173; D21/329,
D21/515, 577, 622, 333, 433, 448, 452,
D21/450, 331, 505; D10/15, 26;
446/484, 175, 356; D6/477, 479, 300;
D24/185; D34/14

(Continued)

(56) **References Cited**

U.S. PATENT DOCUMENTS

D644,642 S 9/2011 Chou et al.
D660,815 S 5/2012 Itou et al.

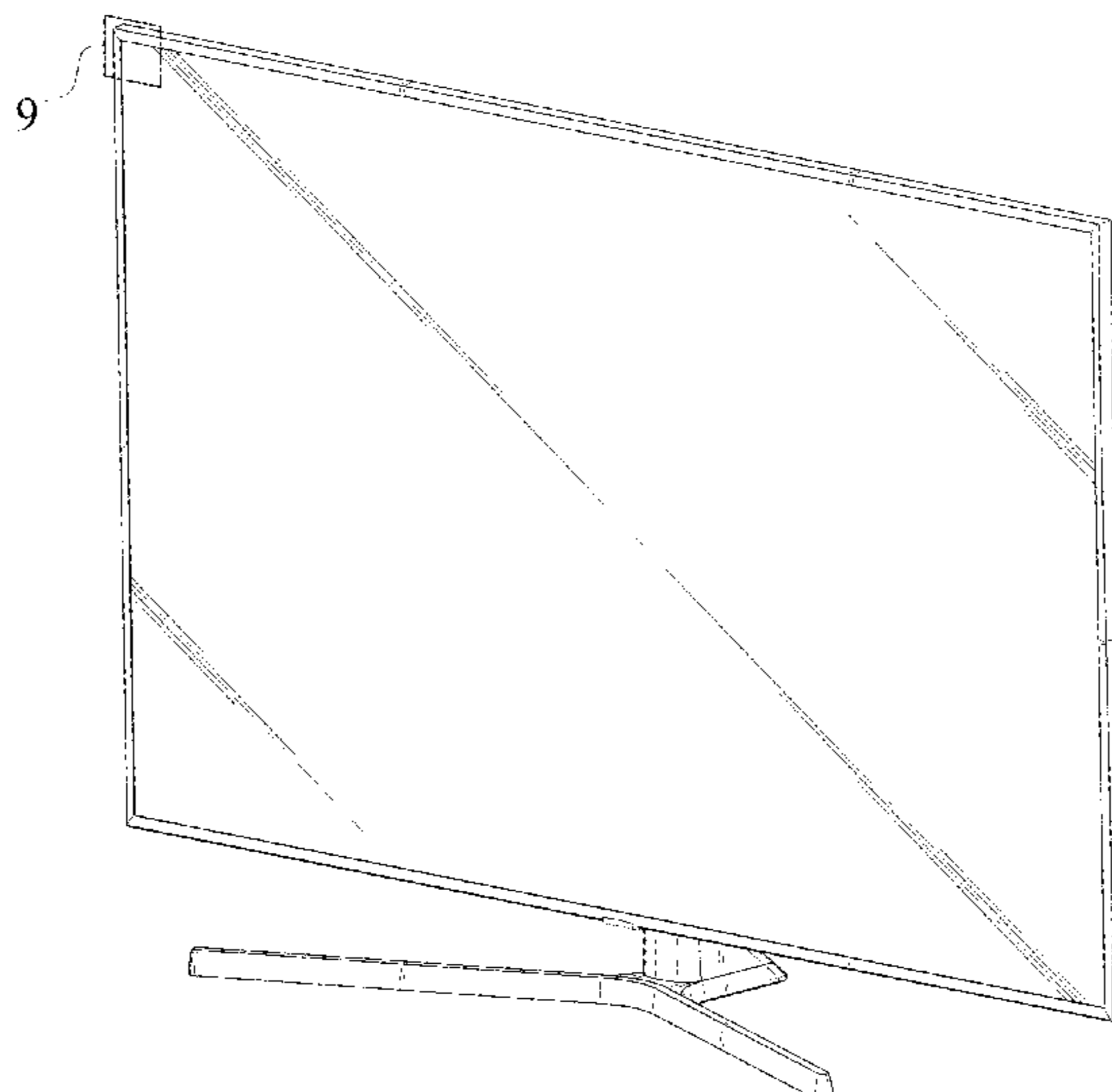
(Continued)

FIG. 1 is a front perspective view of a television receiver showing our new design;
FIG. 2 is a front view thereof;
FIG. 3 is a rear view thereof;
FIG. 4 is a left-side view thereof;
FIG. 5 is a right-side view thereof;
FIG. 6 is a top view thereof;
FIG. 7 is a bottom view thereof;
FIG. 8 is a rear perspective view thereof;
FIG. 9 is an enlarged view of the encircled portion in FIG. 1;
FIG. 10 is an enlarged view of the encircled portion in FIG. 2;
FIG. 11 is an enlarged view of the encircled portion in FIG. 3;
FIG. 12 is an enlarged view of the encircled portion in FIG. 4;
FIG. 13 is an enlarged view of the encircled portion in FIG. 4; and,
FIG. 14 is an enlarged view of the encircled portion in FIG. 6.

The evenly dashed broken lines in the figures depict portions of the television receiver which form no part of the claimed design.

The uneven dot-dash broken lines encircling portions of the claimed design that are illustrated in enlargements form no part of the claimed design.

1 Claim, 14 Drawing Sheets



(58) **Field of Classification Search**

CPC ... G06F 1/1601; G06F 1/1643; H05K 5/0004;
H05K 5/0017; H05K 5/02; H05K 5/0217
See application file for complete search history.

(56) **References Cited**

U.S. PATENT DOCUMENTS

D817,901 S * 5/2018 Lee D14/126
D819,583 S * 6/2018 Lee D14/126

* cited by examiner

FIG. 1

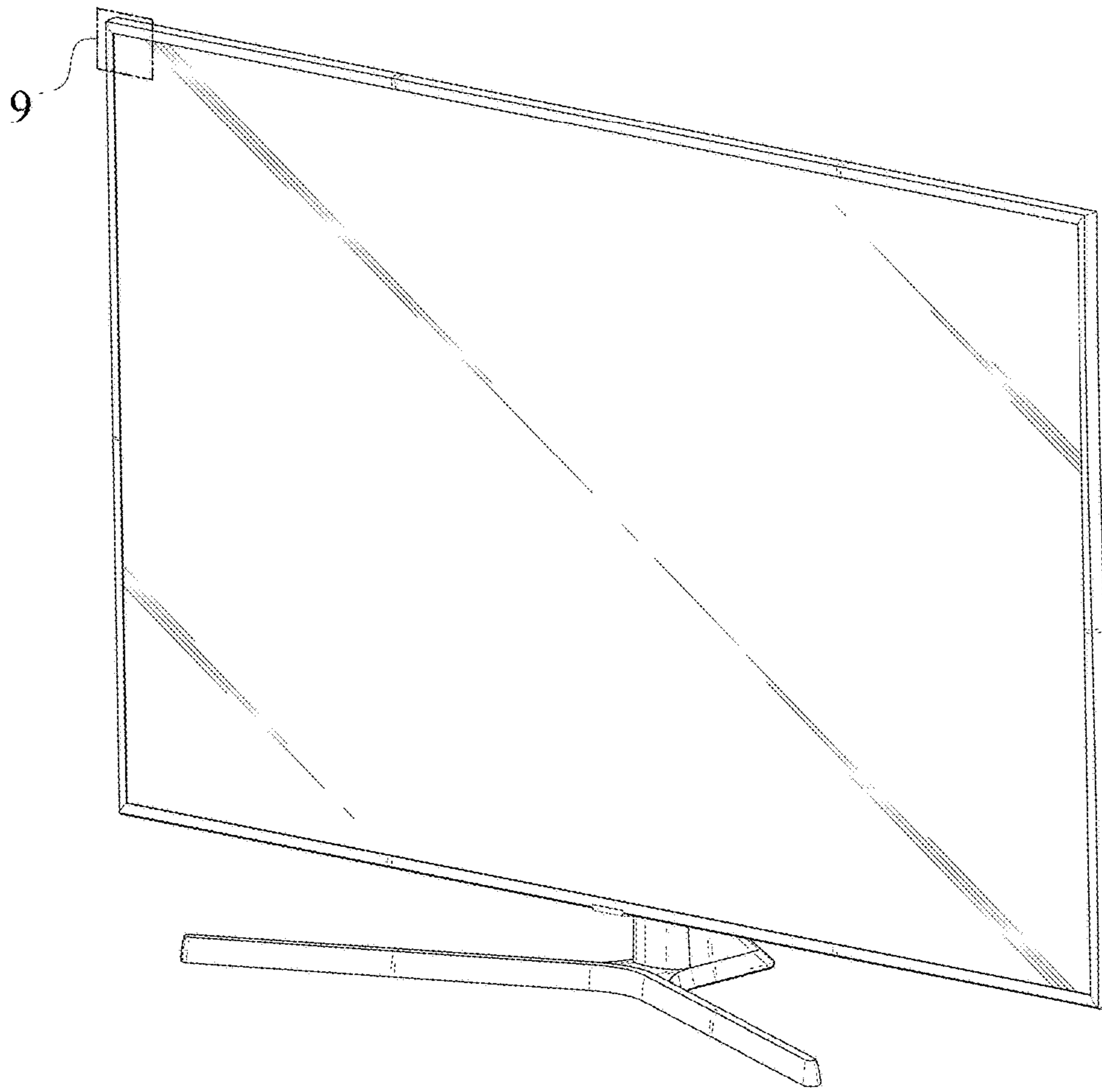


FIG. 2

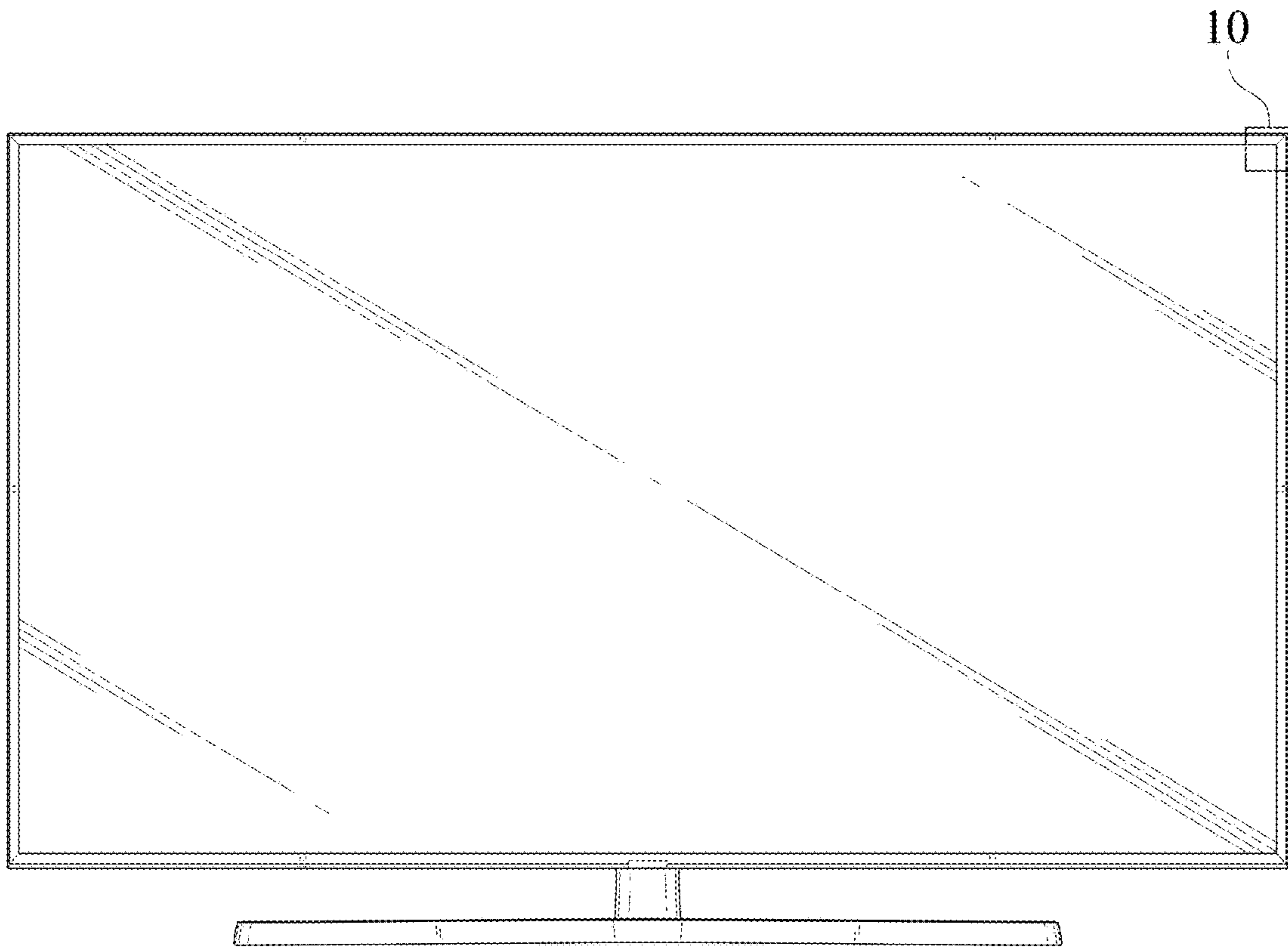


FIG. 3

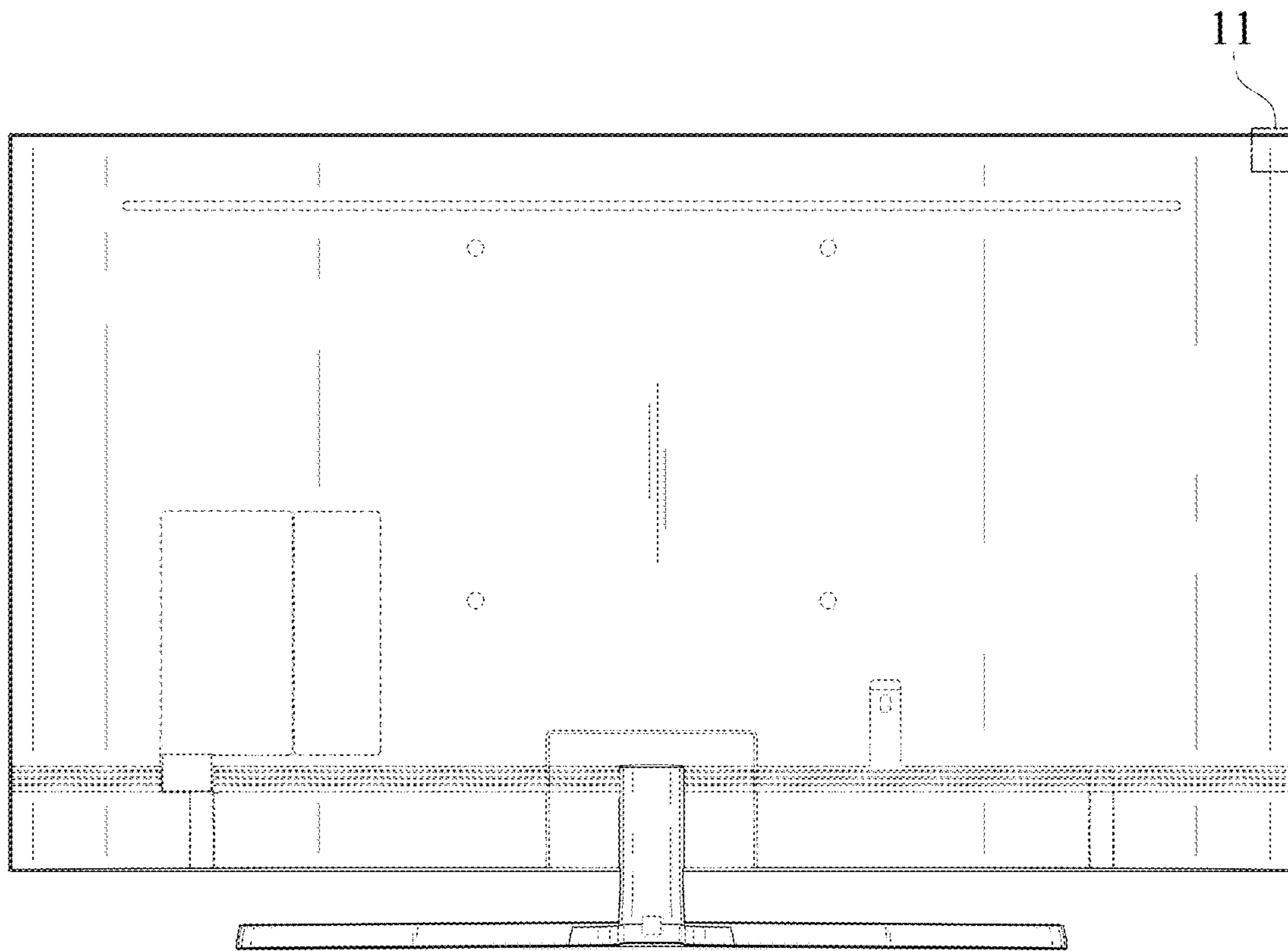


FIG. 4

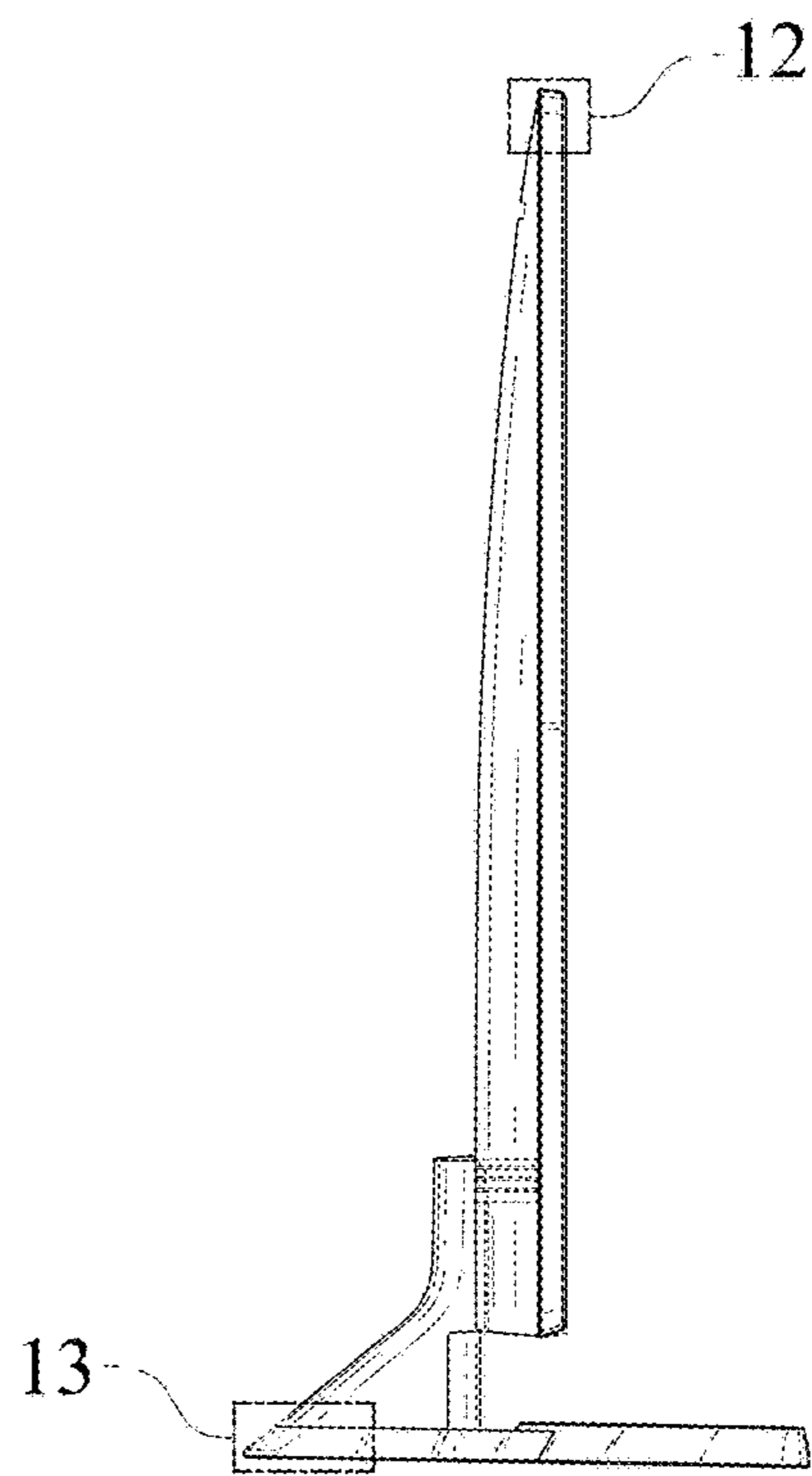


FIG. 5

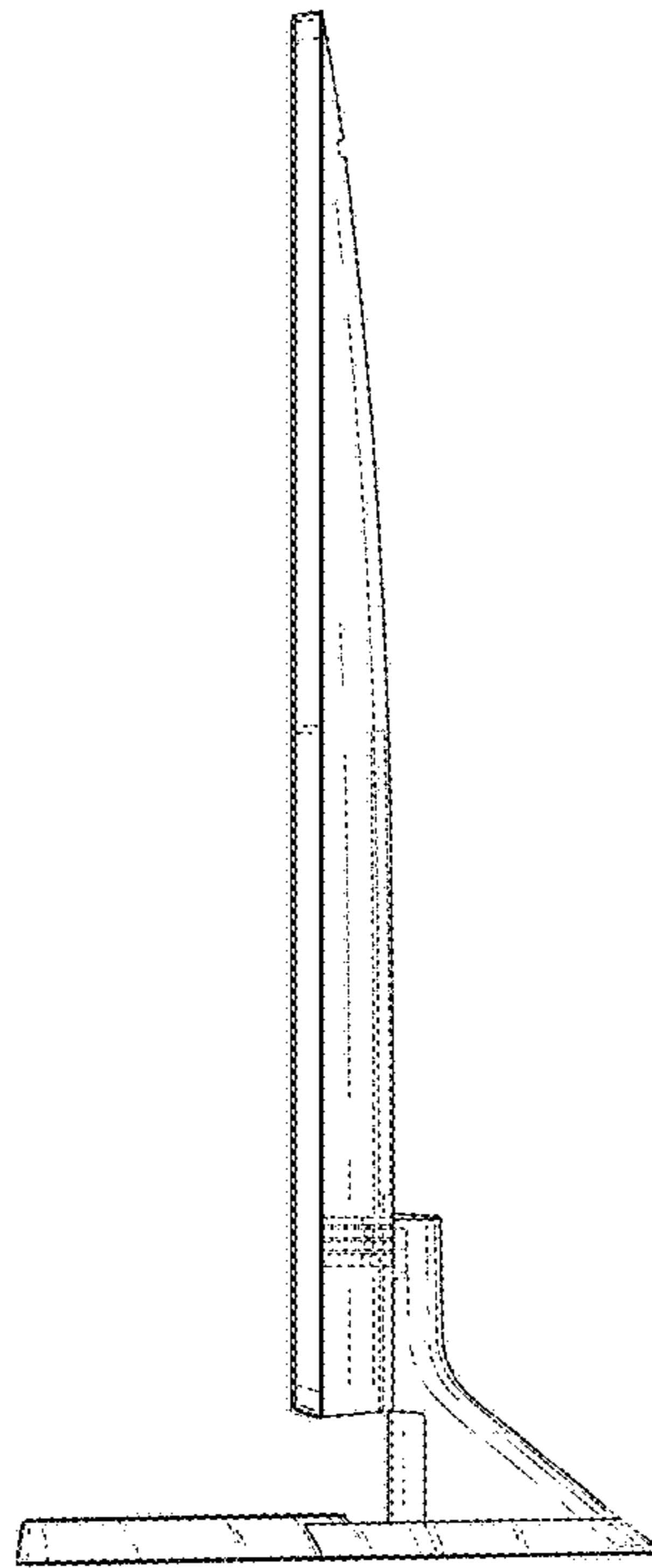


FIG. 6

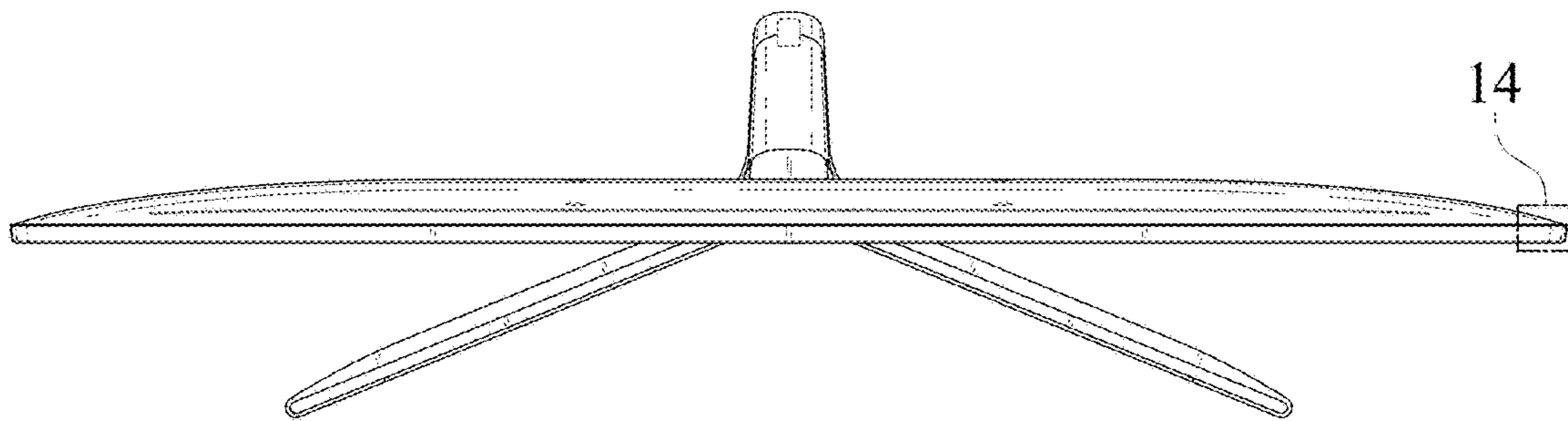


FIG. 7

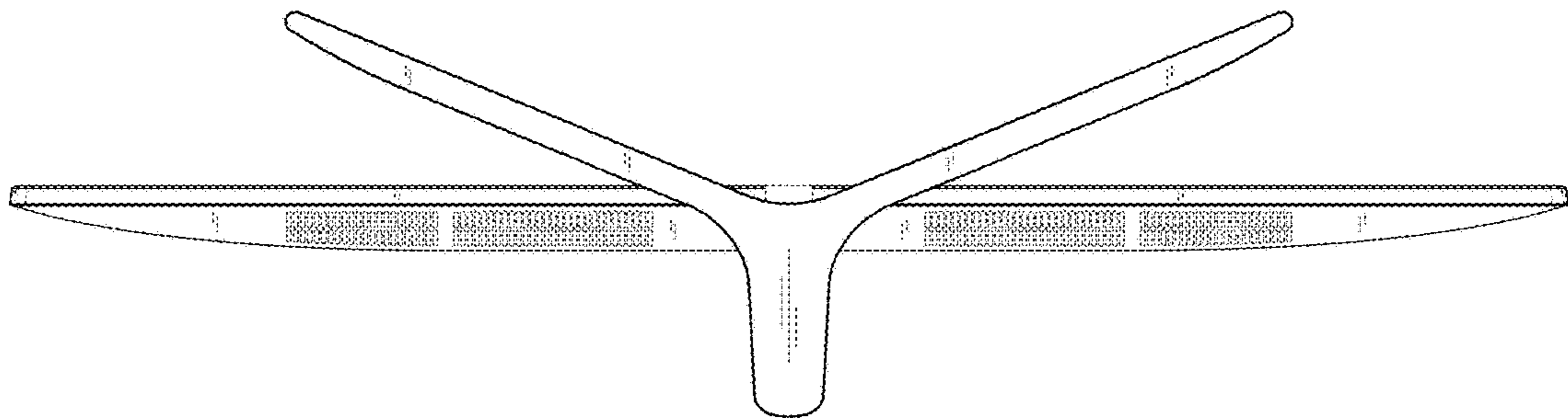


FIG. 8

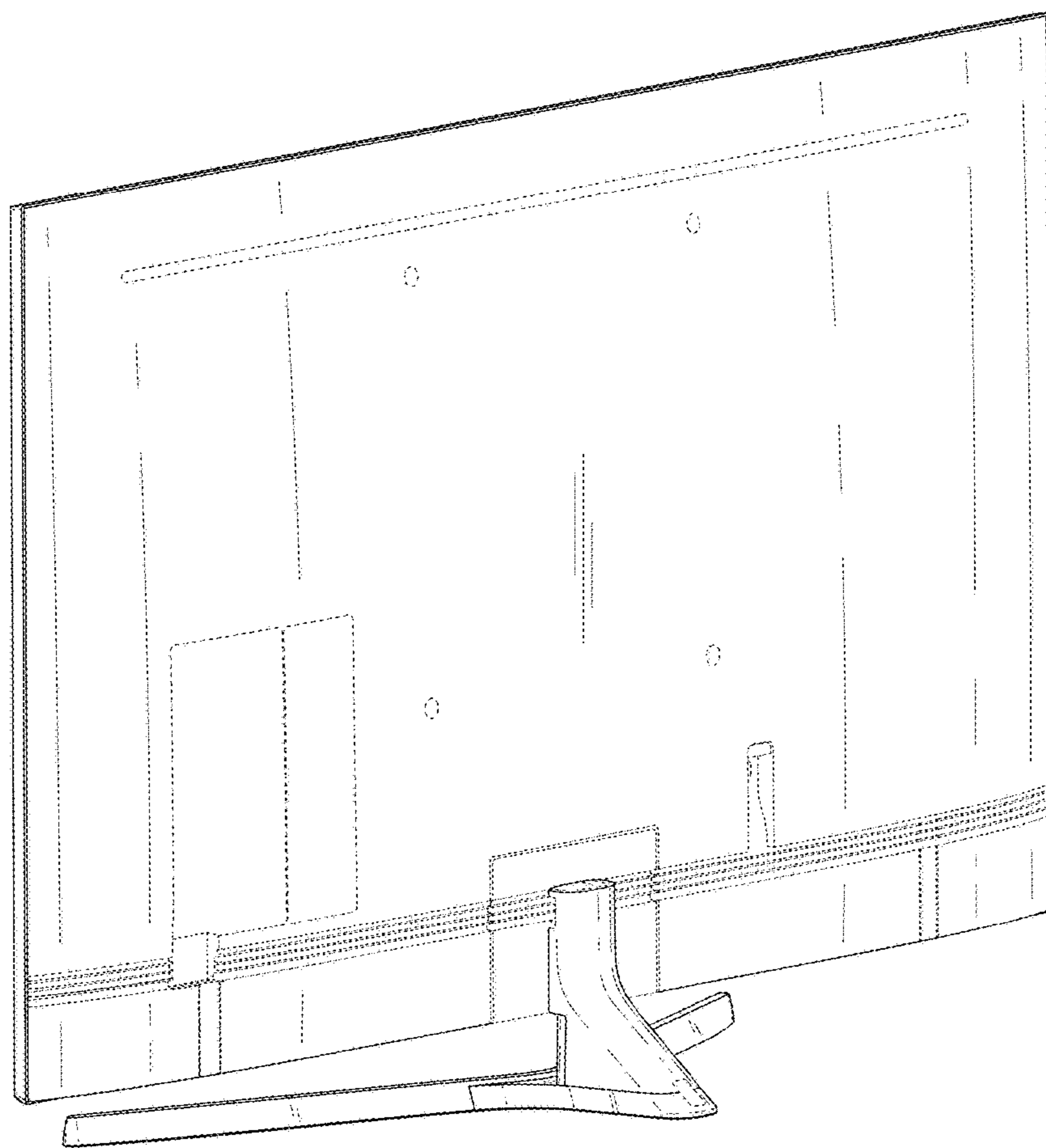


FIG. 9

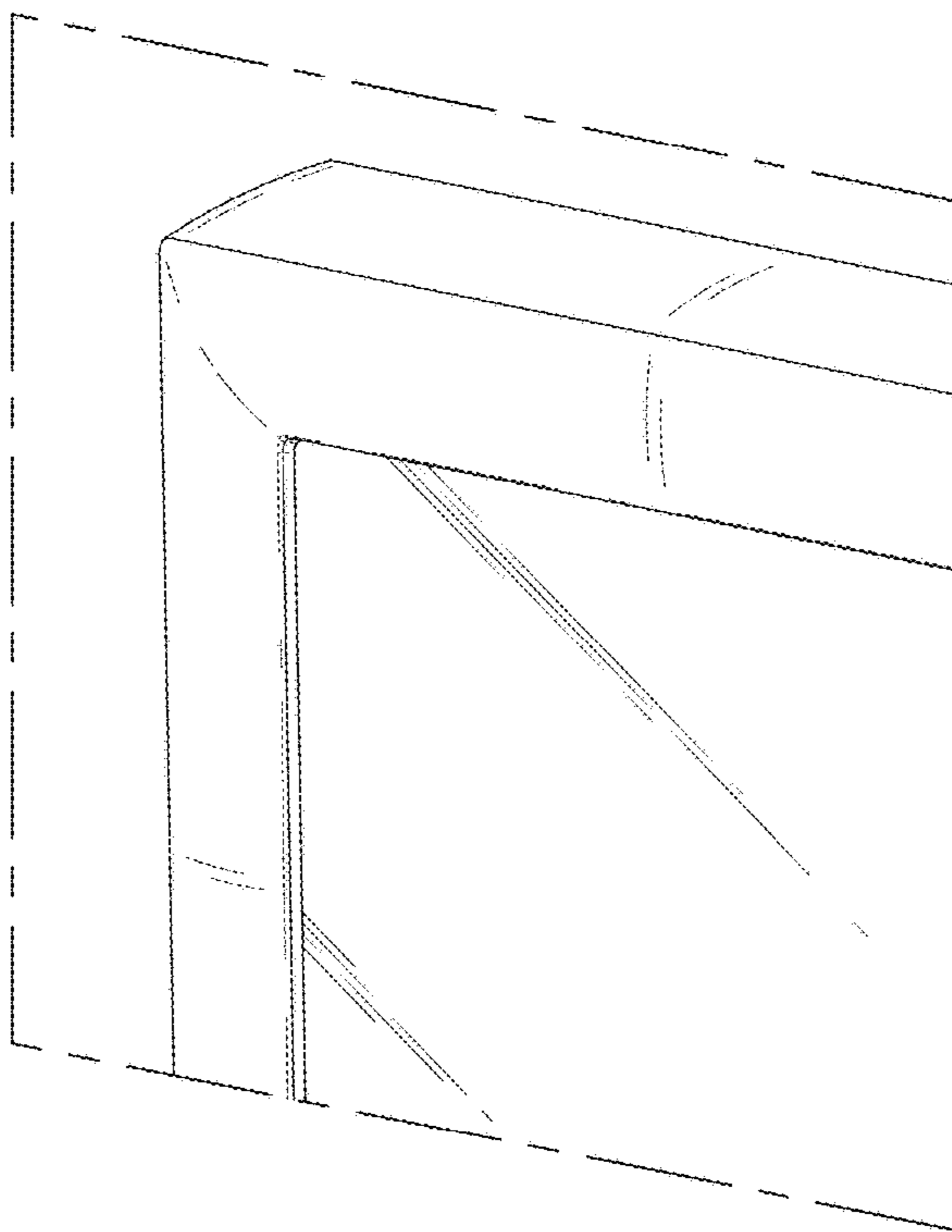


FIG. 10

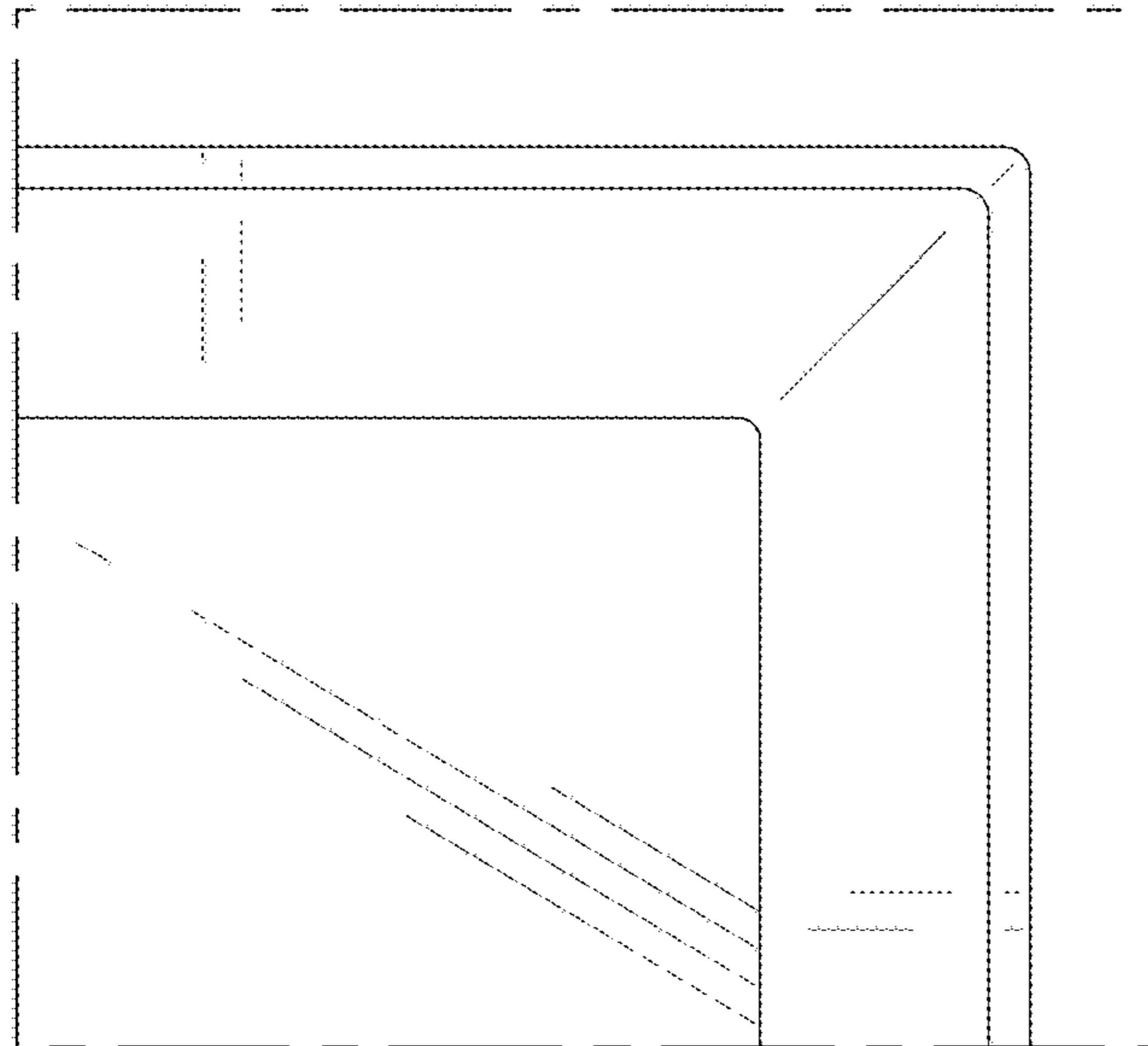


FIG. 11

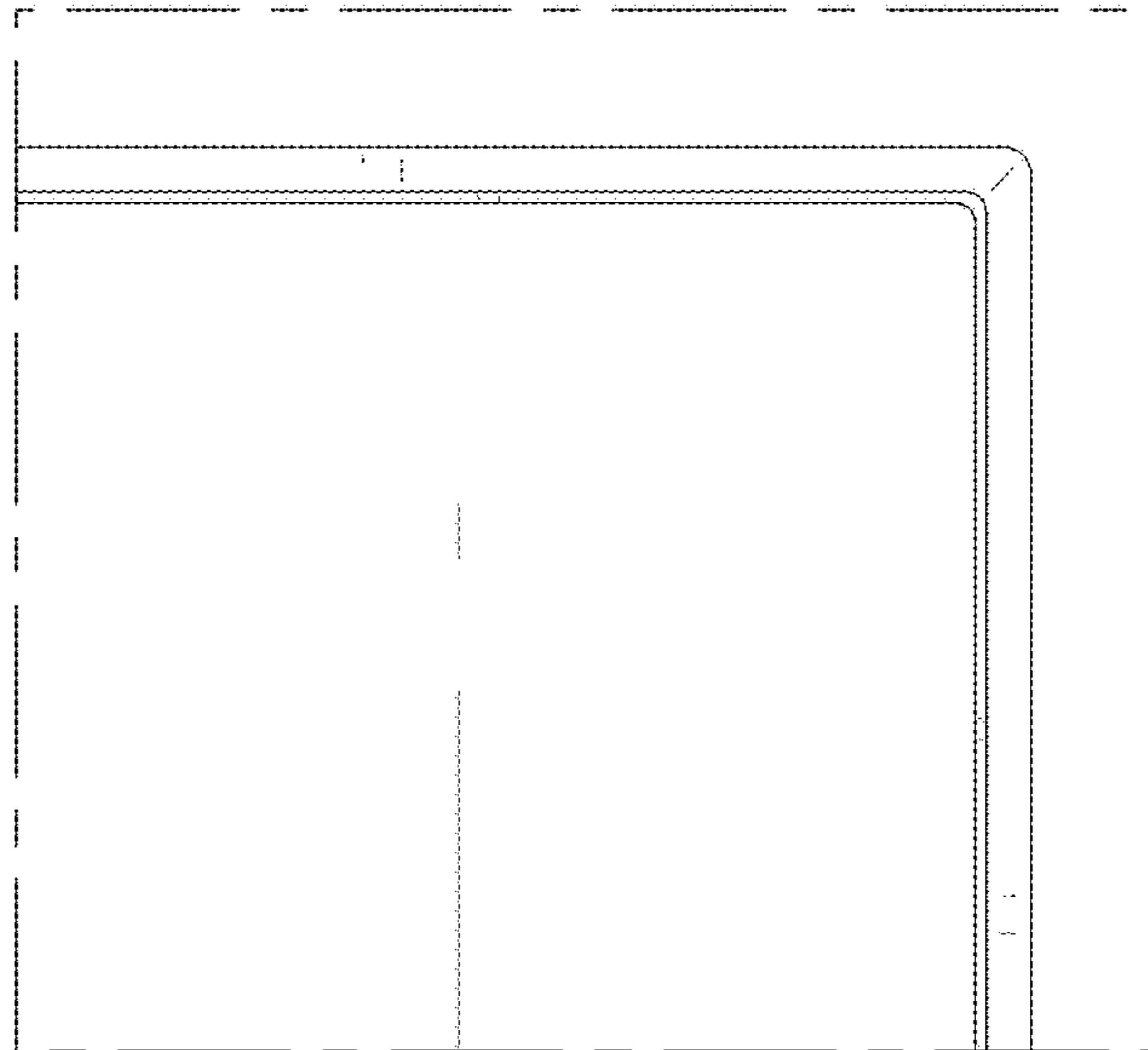


FIG. 12

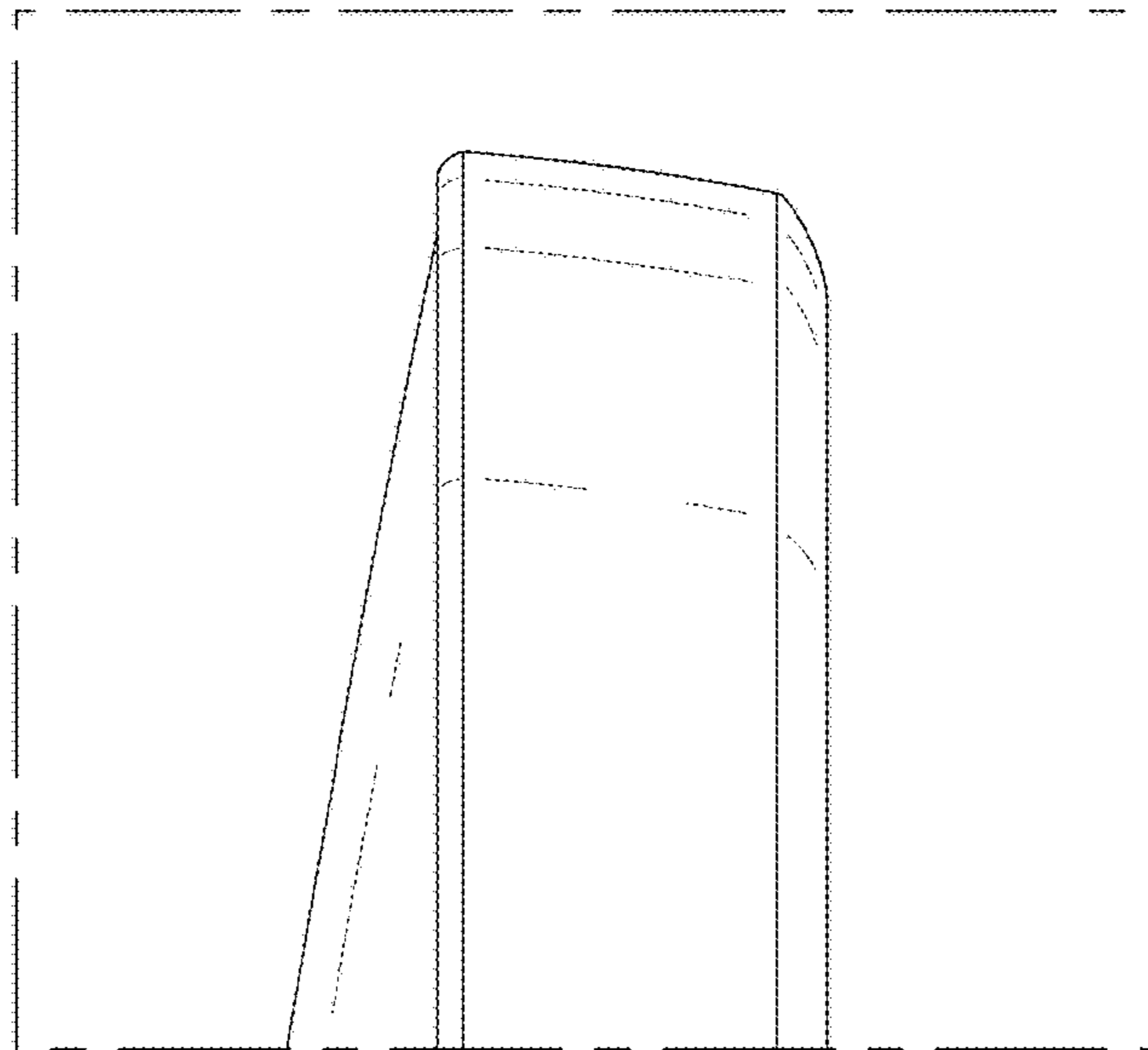


FIG. 13

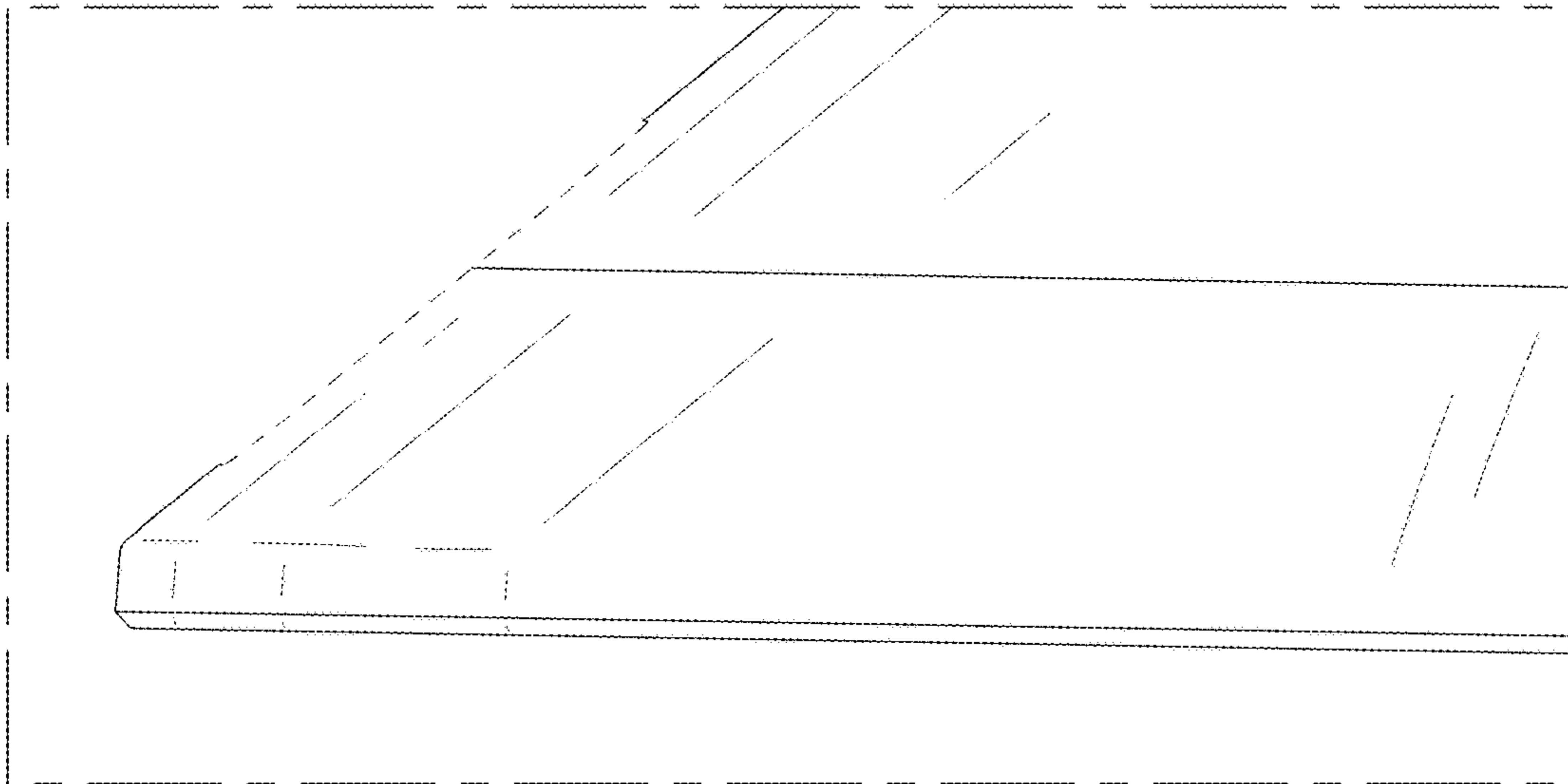


FIG. 14

