



US00D865692S

(12) **United States Design Patent**  
**Lawrence et al.**

(10) **Patent No.:** **US D865,692 S**  
(45) **Date of Patent:** **\*\* Nov. 5, 2019**

(54) **CABLE HARNESS WITH PROTECTIVE CASING**

(71) Applicant: **Molex, LLC**, Lisle, IL (US)

(72) Inventors: **Tommy Lawrence**, Little Rock, AR (US); **Robert Dillman**, Santa Clara, CA (US); **Danny P. Cantrell**, Conway, AR (US); **Michael Davis**, Mayflower, AR (US)

(73) Assignee: **Molex, LLC**, Lisle, IL (US)

(\*\*) Term: **15 Years**

(21) Appl. No.: **29/642,494**

(22) Filed: **Mar. 29, 2018**

(51) **LOC (12) Cl.** ..... **13-03**

(52) **U.S. Cl.**

USPC ..... **D13/184**; D13/133

(58) **Field of Classification Search**

USPC ..... D13/154, 149, 137.4, 139.8, 139.9, 133, D13/156, 184, 199

CPC ..... H01R 9/05; H01R 13/28; H01R 13/63;

H01R 43/04; H01R 13/52; H01R 13/58;

H01R 13/62; H01R 4/18; H01R 4/24;

B21D 37/00; B60H 1/00; B60J 10/08;

H01B 9/00; H01B 9/02

See application file for complete search history.

(56) **References Cited**

**U.S. PATENT DOCUMENTS**

1,627,286 A	5/1927	Ile	
D140,570 S *	3/1945	Leupold	D13/158
D180,354 S *	5/1957	Benson	174/76
3,163,926 A *	1/1965	Gray	H01B 13/01227
			29/721
D207,535 S *	5/1967	Wahi	D13/156
4,453,353 A	6/1984	Killop et al.	
4,643,505 A	2/1987	House et al.	
D293,433 S *	12/1987	Brooks	D13/146

D296,779 S *	7/1988	Watson	D13/156
5,139,429 A	8/1992	Herman et al.	
D332,940 S	2/1993	Finlay	
5,217,387 A	6/1993	Hull et al.	
5,259,782 A	11/1993	Giffin	
5,584,720 A	12/1996	Elswick	
5,713,753 A	2/1998	Bayer et al.	
D407,377 S	3/1999	Landerholm et al.	
D408,365 S	4/1999	Sanders	

(Continued)

*Primary Examiner* — Janice Hallmark

*Assistant Examiner* — Harold E Blackwell, II

(74) *Attorney, Agent, or Firm* — Banner & Witcoff, Ltd.

(57) **CLAIM**

The ornamental design for a cable harness with protective casing, as shown and described.

**DESCRIPTION**

FIG. 1 is a front perspective view of a cable harness with protective casing showing our new design;

FIG. 2 is a right side view thereof;

FIG. 3 is a left side view thereof;

FIG. 4 is a front view thereof;

FIG. 5 is a rear view thereof;

FIG. 6 is a bottom view thereof;

FIG. 7 is a top view thereof;

FIG. 8 is an enlarged front perspective view of the cable harness with protective casing shown in FIGS. 1-8 with unclaimed environment removed for clarity;

FIG. 9 is a right side view thereof;

FIG. 10 is a left side view thereof;

FIG. 11 is a front view thereof;

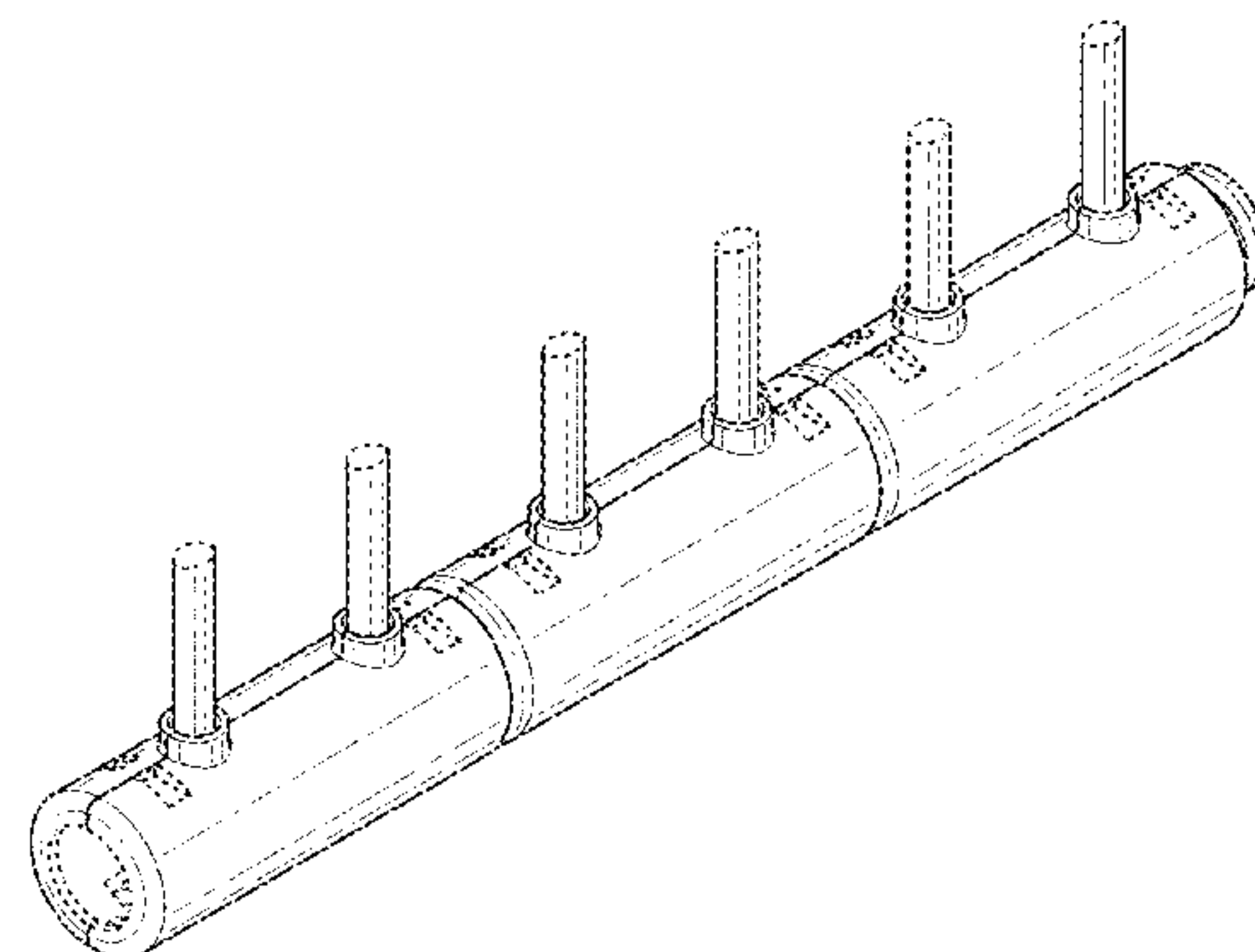
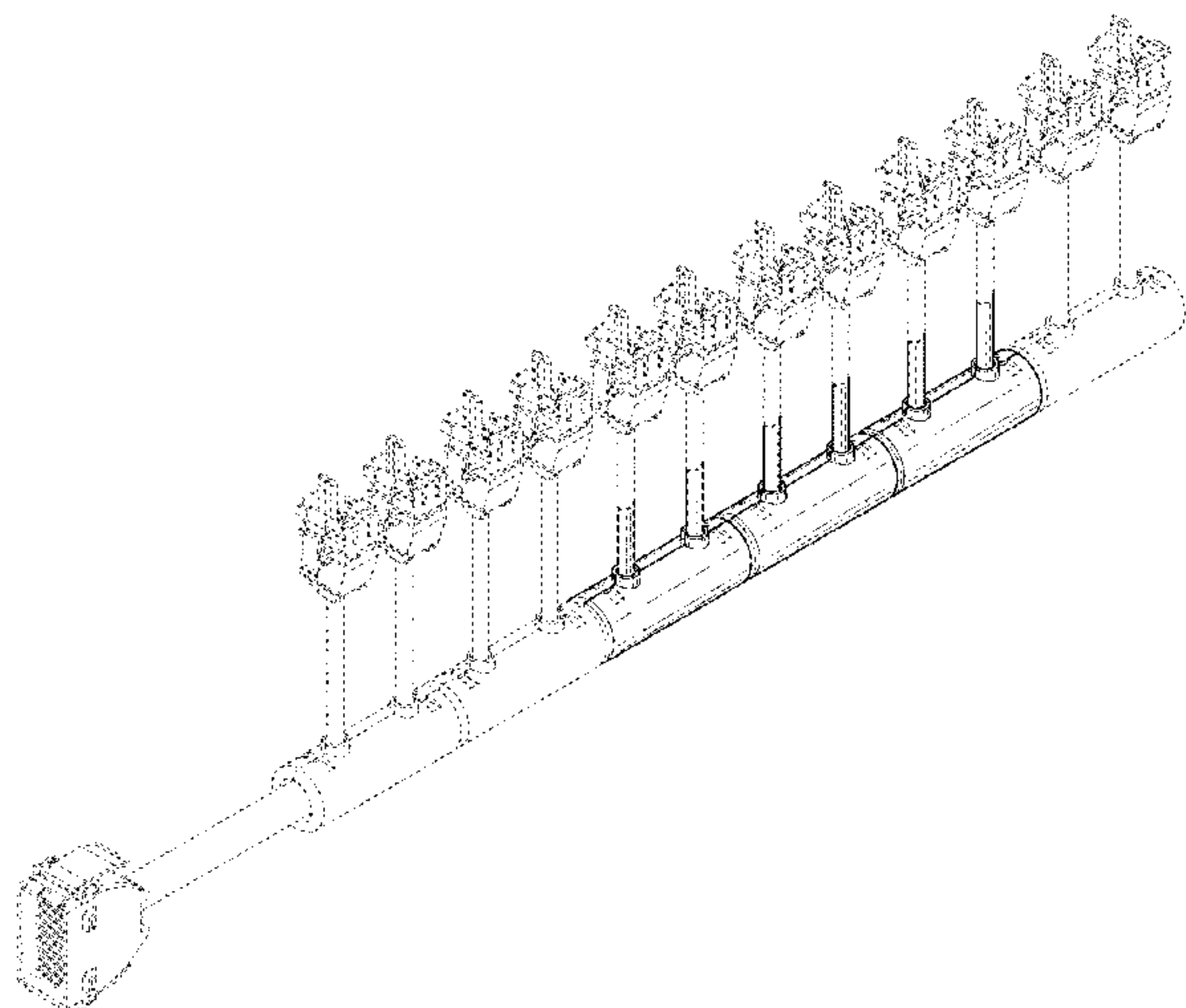
FIG. 12 is a rear view thereof;

FIG. 13 is a bottom view thereof; and,

FIG. 14 is a top view thereof.

The broken lines depicting the remainder of the cable harness with protective casing show features that form no part of the claimed design.

**1 Claim, 14 Drawing Sheets**



(56)

References Cited

U.S. PATENT DOCUMENTS

6,220,893	B1	4/2001	Stephan	
D464,325	S	10/2002	Peters et al.	
D473,524	S	4/2003	Koehler	
D508,232	S	8/2005	Suckle et al.	
7,189,100	B1	3/2007	Colbourne	
D571,733	S	6/2008	Seil	
D586,757	S	2/2009	Minnick	
7,553,181	B1	6/2009	Van Dalinda, III	
7,601,029	B2 *	10/2009	Horiuchi .....	H01R 4/20 439/497
D607,412	S *	1/2010	Palomaki .....	D13/149
D631,848	S	2/2011	Montena et al.	
D643,378	S *	8/2011	Pippert .....	D13/173
D646,227	S *	10/2011	Natoli .....	D13/156
8,129,631	B1	3/2012	Shemtov	
D667,796	S *	9/2012	Boussekey .....	D13/156
8,702,440	B2	4/2014	Nooner et al.	
D762,583	S *	8/2016	Dick .....	D13/147
D776,623	S	1/2017	Jenkins	
D784,928	S *	4/2017	Armacost .....	D13/146
9,653,837	B2	5/2017	Nooner et al.	
D813,015	S *	3/2018	O'Brien .....	D8/356
D821,988	S	7/2018	Chang	
10,056,718	B2 *	8/2018	Dang .....	H01R 13/434
10,056,745	B2 *	8/2018	Nooner .....	H02G 3/0462
D837,158	S *	1/2019	Thoni .....	D13/133
D847,091	S *	4/2019	Bureacov .....	D13/133
D847,098	S *	4/2019	Nooner .....	D13/156
D848,376	S *	5/2019	Hewitt .....	D13/153
10,285,769	B2 *	5/2019	Ray .....	A61B 50/20
2004/0097120	A1 *	5/2004	Limber .....	H01R 13/6392 439/369
2017/0117644	A1 *	4/2017	Peltier .....	H01R 4/36

\* cited by examiner

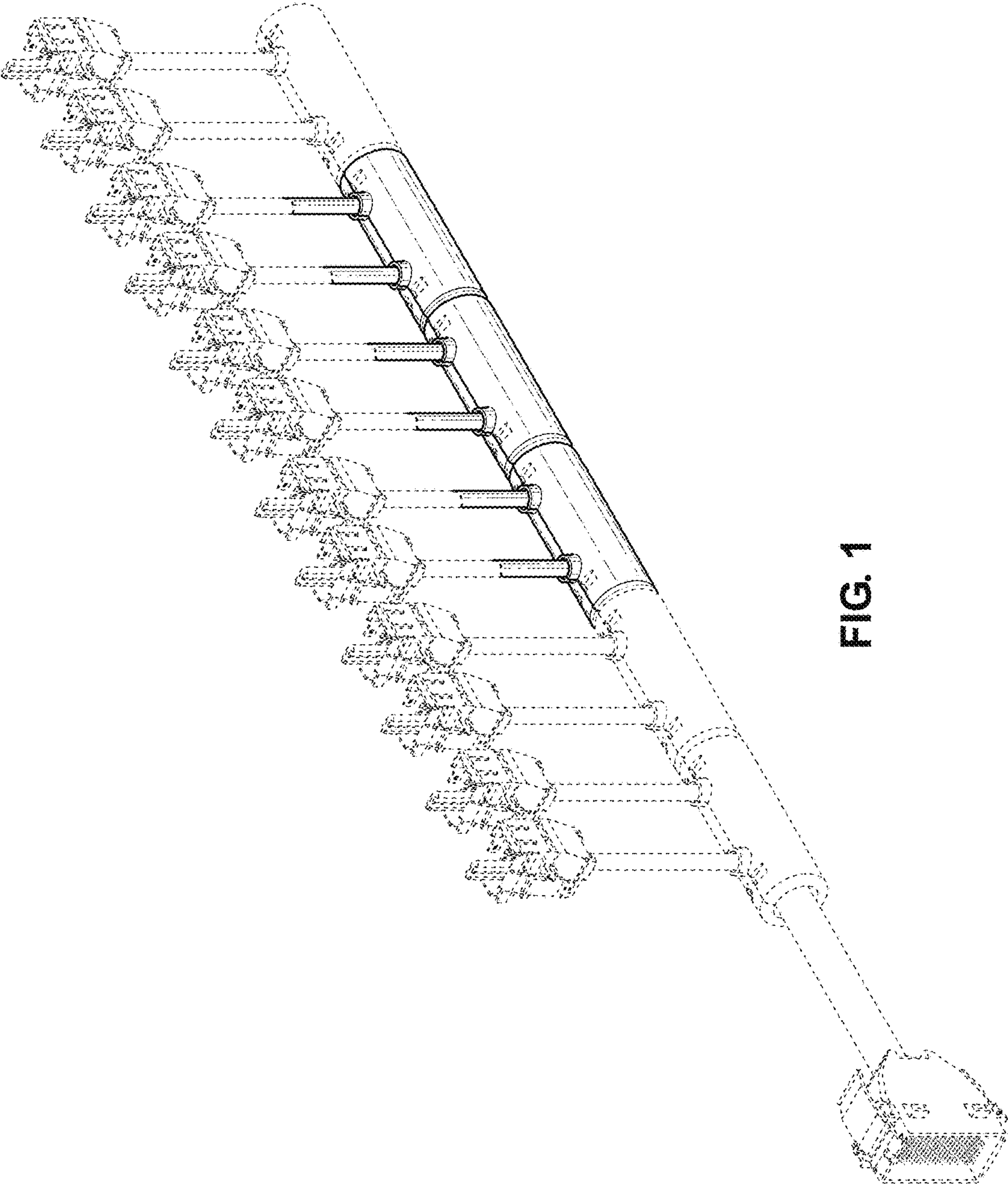


FIG. 1

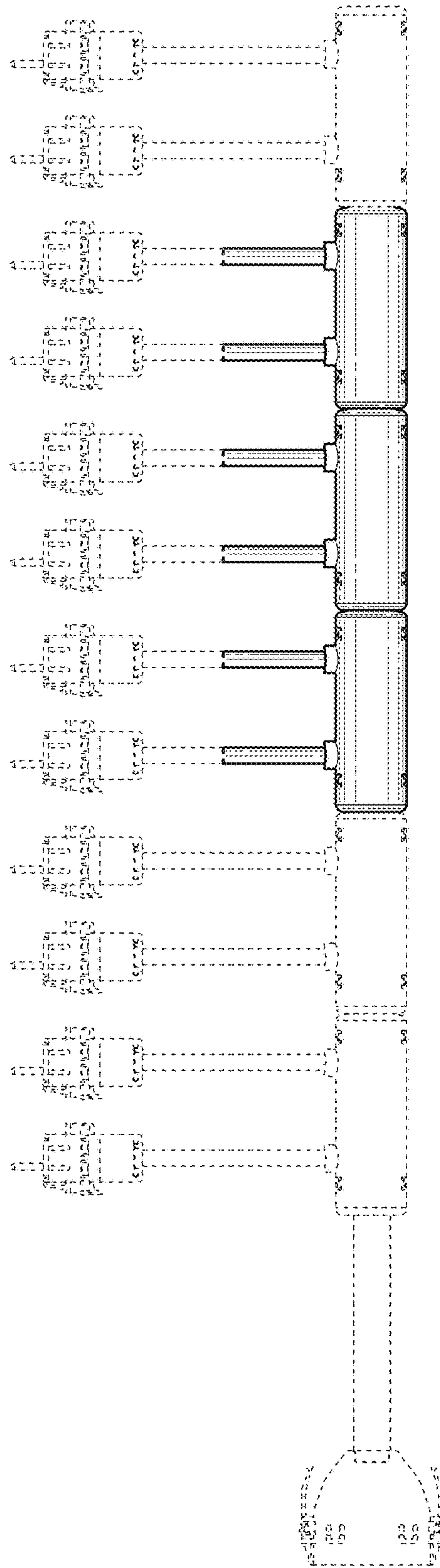


FIG. 2



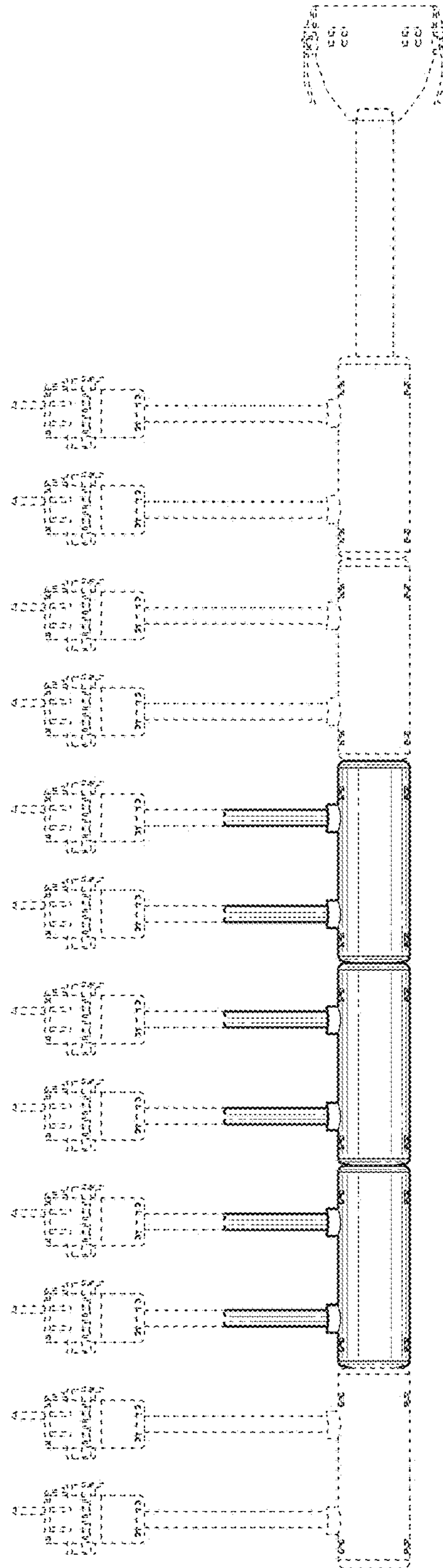
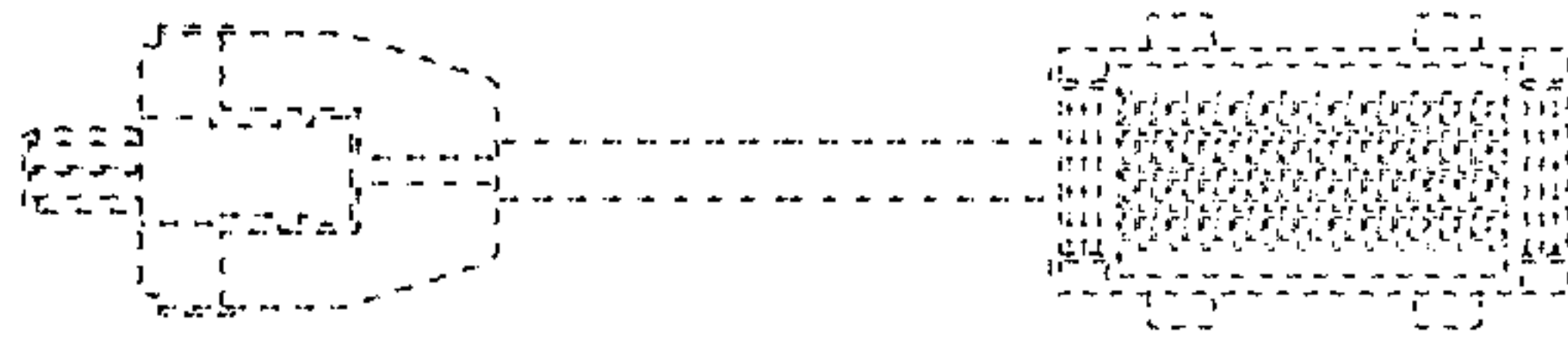
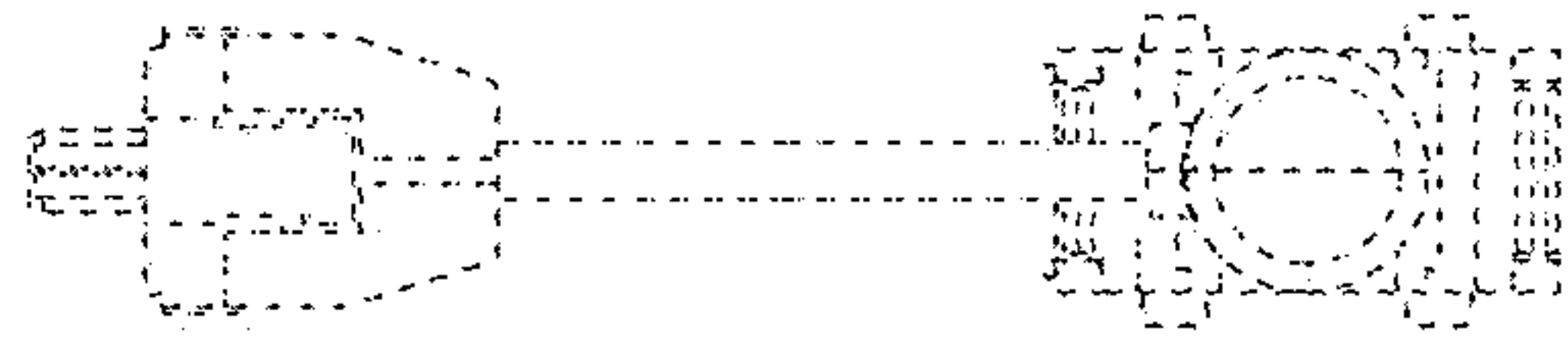


FIG. 3



**FIG. 4**



**FIG. 5**

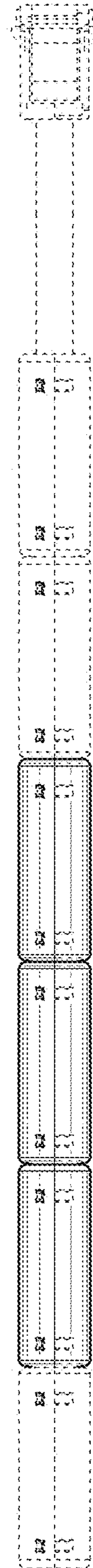


FIG. 6



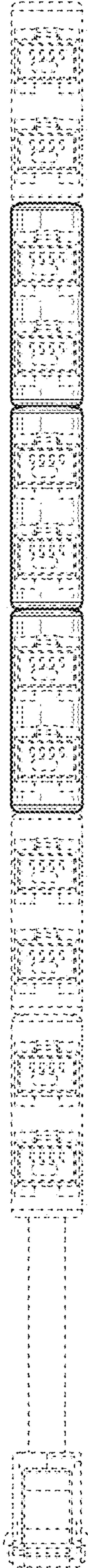


FIG. 7

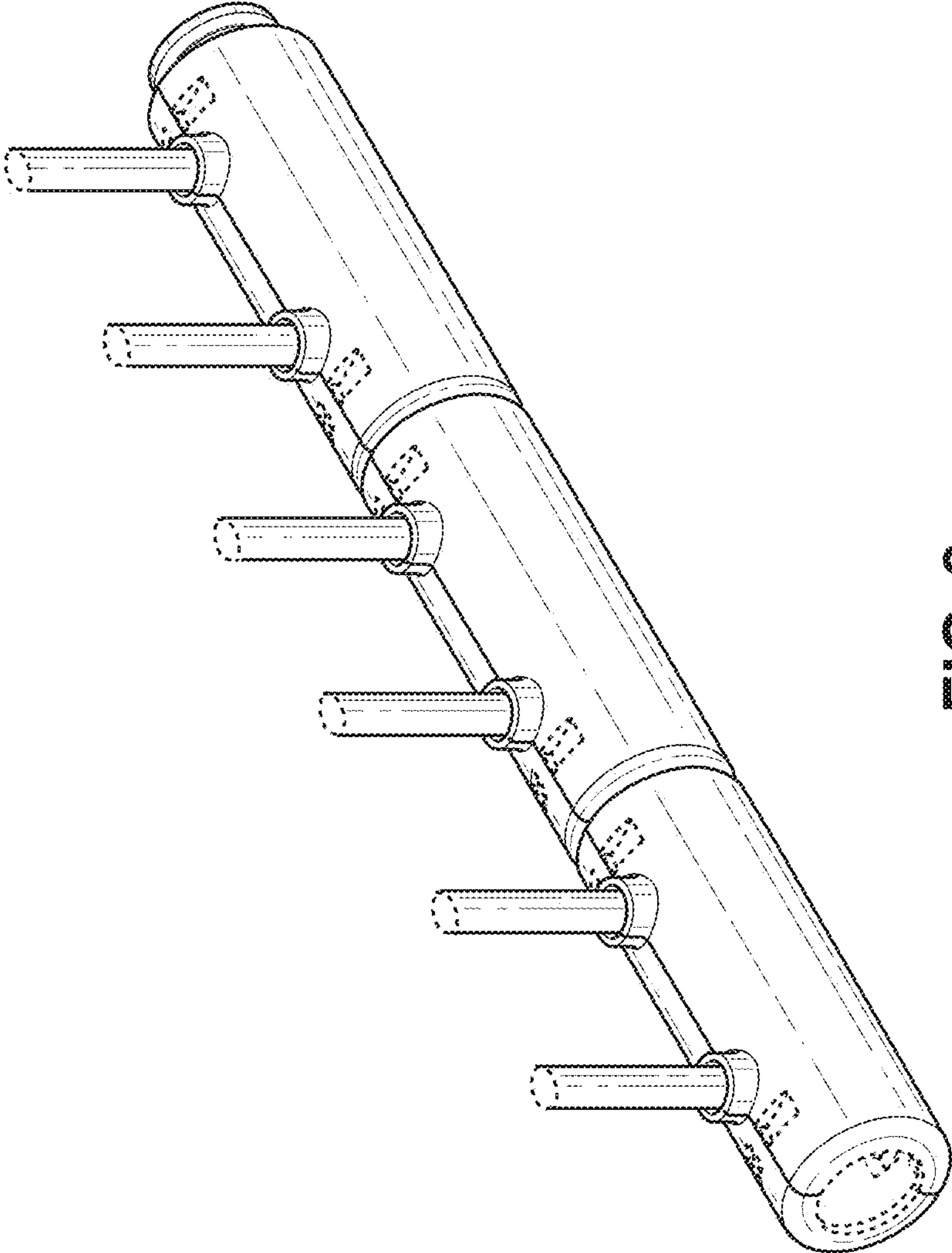


FIG. 8

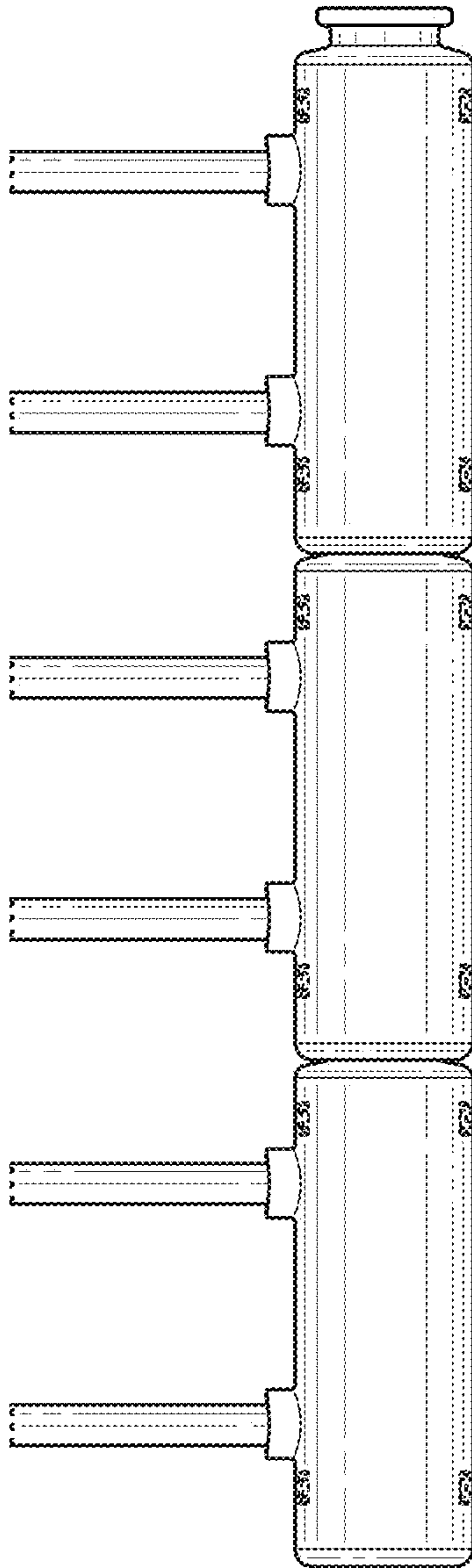


FIG. 9

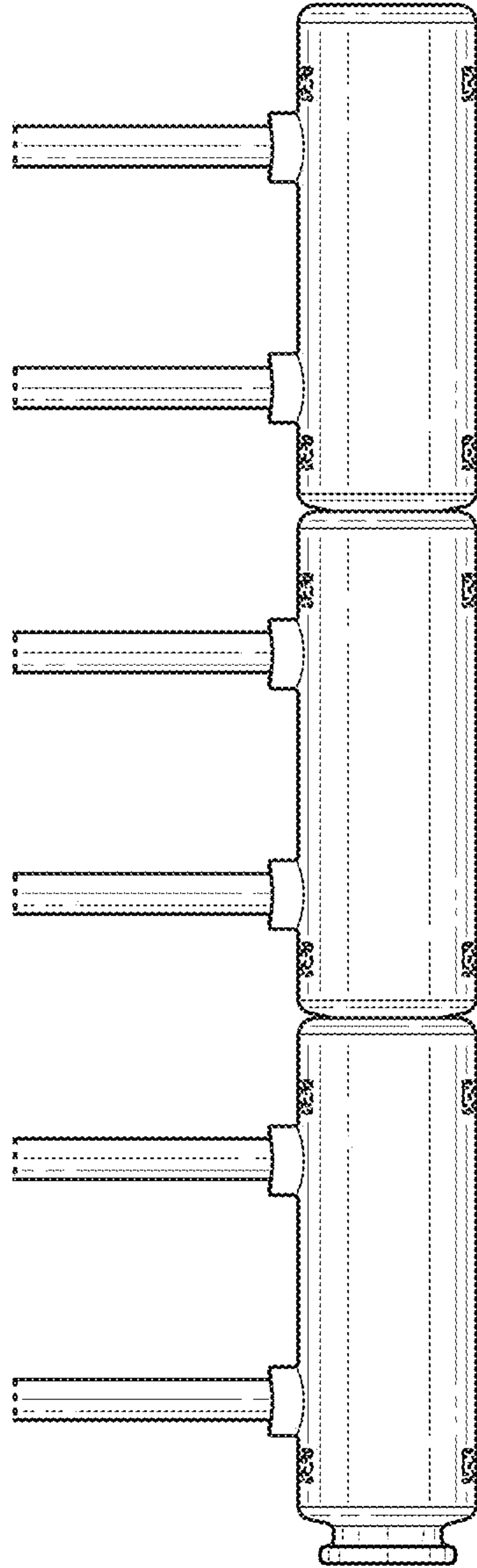


FIG. 10

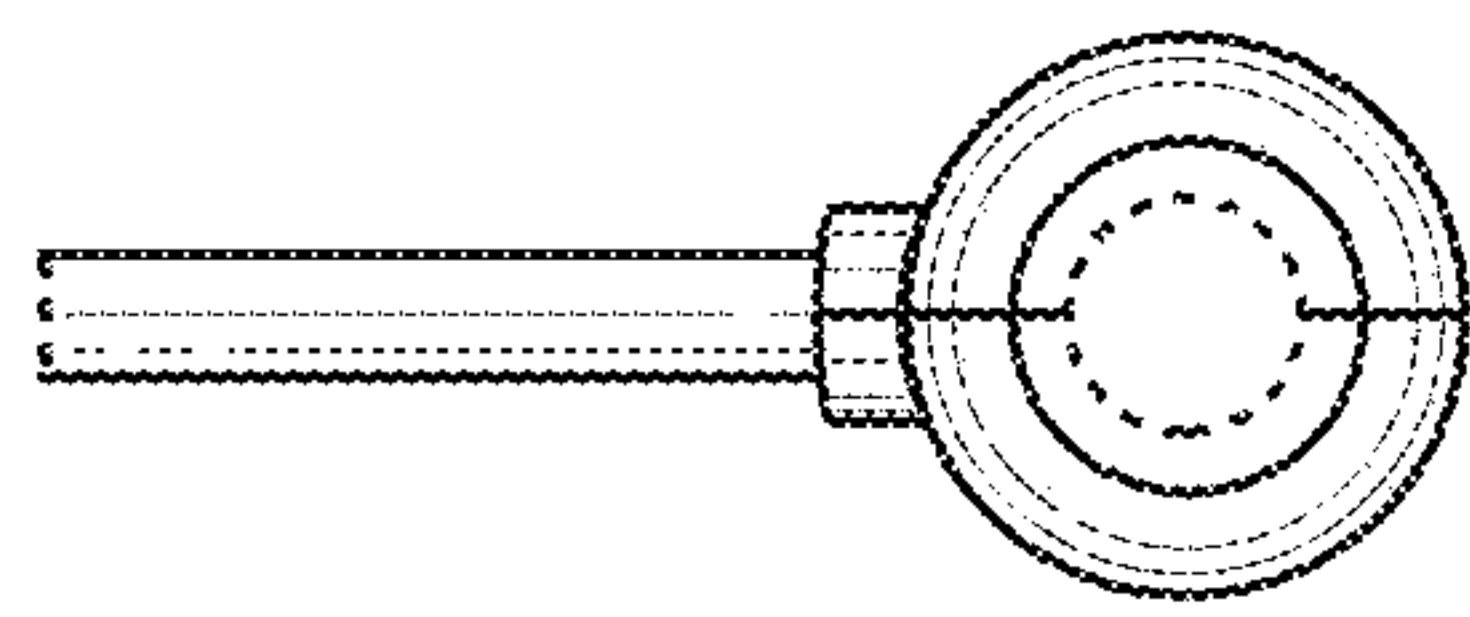
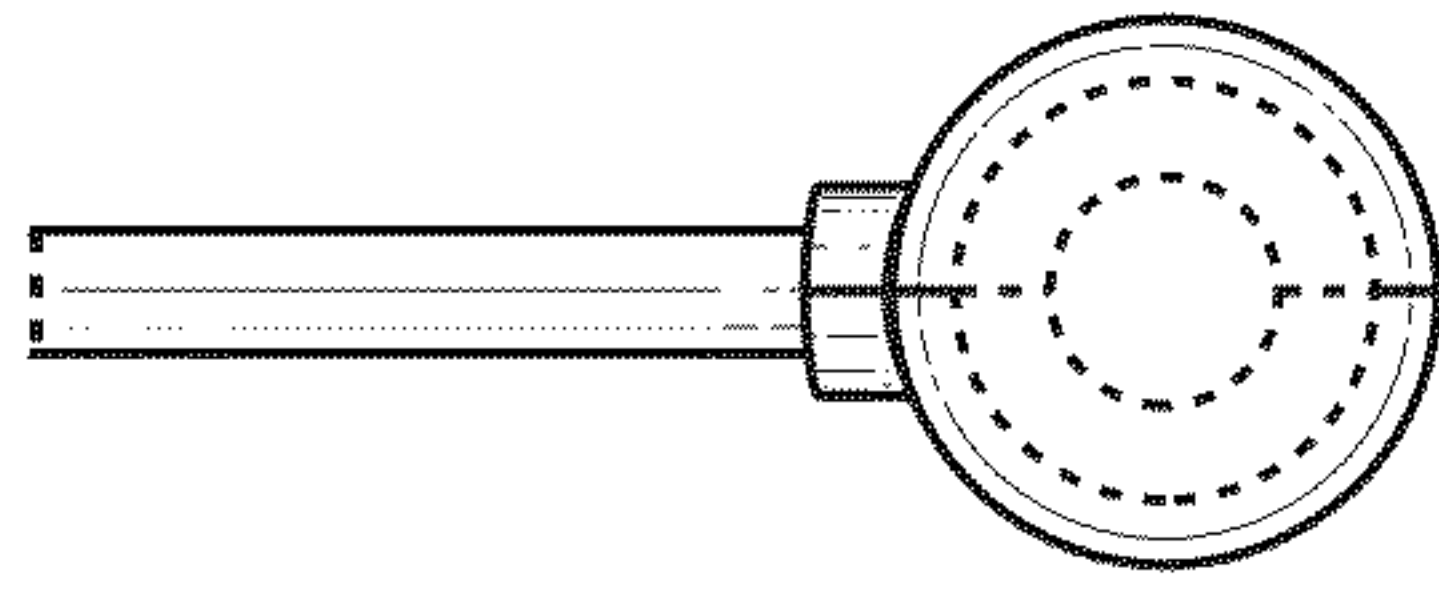


FIG. 11





**FIG. 12**

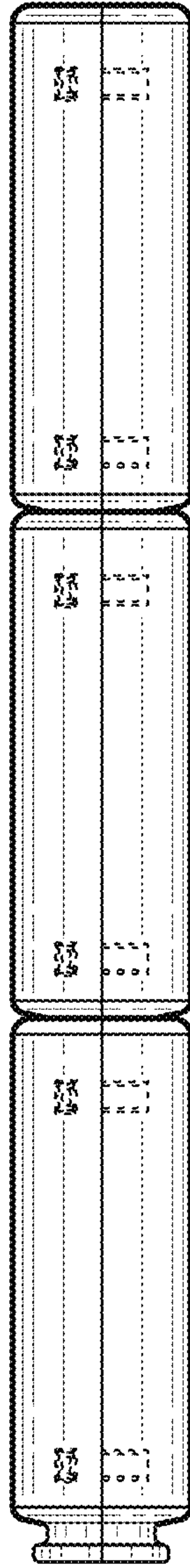


FIG. 13

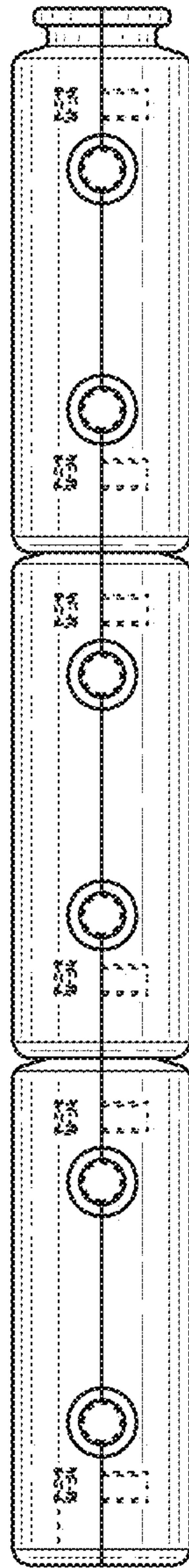


FIG. 14