



US00D865691S

(12) **United States Design Patent** (10) **Patent No.:** **US D865,691 S**  
**McCabe et al.** (45) **Date of Patent:** **\*\* Nov. 5, 2019**

(54) **STACKABLE MEDIA STORAGE CONTAINER**

OTHER PUBLICATIONS

(71) Applicant: **COPERNICUS EDUCATIONAL PRODUCTS**, Arthur (CA)

US 9,901,012 B2, 02/2018, Slessman (withdrawn)\*

(Continued)

(72) Inventors: **Kaylyn McCabe**, Kenilworth (CA); **Mariusz Cender**, Fergus (CA); **Joshua Wood**, Guelph (CA); **Sofika Shiell**, Guelph (CA); **John Cowle**, Arthur (CA)

*Primary Examiner* — Janice Hallmark

*Assistant Examiner* — Harold E Blackwell, II

(74) *Attorney, Agent, or Firm* — Gowling WLG (Canada) LLP

(73) Assignee: **COPERNICUS EDUCATIONAL PRODUCTS INC.**, Arthur, Ontario (CA)

(57) **CLAIM**

We claim the ornamental design for stackable media storage container, as shown and described.

(\*\*) Term: **15 Years**

(21) Appl. No.: **29/568,201**

**DESCRIPTION**

(22) Filed: **Jun. 16, 2016**

(51) **LOC (12) Cl.** ..... **13-03**

(52) **U.S. Cl.**  
USPC ..... **D13/184**

(58) **Field of Classification Search**  
USPC ..... D13/184, 177, 162, 158, 133, 139.4; 312/236, 239, 327-329; D6/629-632, D6/634

CPC ... G02B 6/12; G02B 6/26; G02B 6/36; G02B 6/42; G02B 6/43; G02B 6/44; H01R 13/62

See application file for complete search history.

FIG. 1 is a front view of a stackable media storage container. FIG. 2 is a back view of the stackable media storage container.

FIG. 3 is a left side view of the stackable media storage container.

FIG. 4 is a right side view of the stackable media storage container.

FIG. 5 is a top view of the stackable media storage container.

FIG. 6 is a bottom view of the stackable media storage container.

FIG. 7 is a right perspective view of the stackable media storage container; and,

FIG. 8 is a right perspective view of the stackable media storage container showing a second stacked container.

The design is directed to a stackable media storage container. The broken lines in FIG. 8 illustrate a second stacked container. The broken lines in the figures illustrate portions of the stackable media storage container which form no parts of the claimed design. The broken lines in the FIG. 8 illustrate a second stackable media storage container which forms no part of the claimed design.

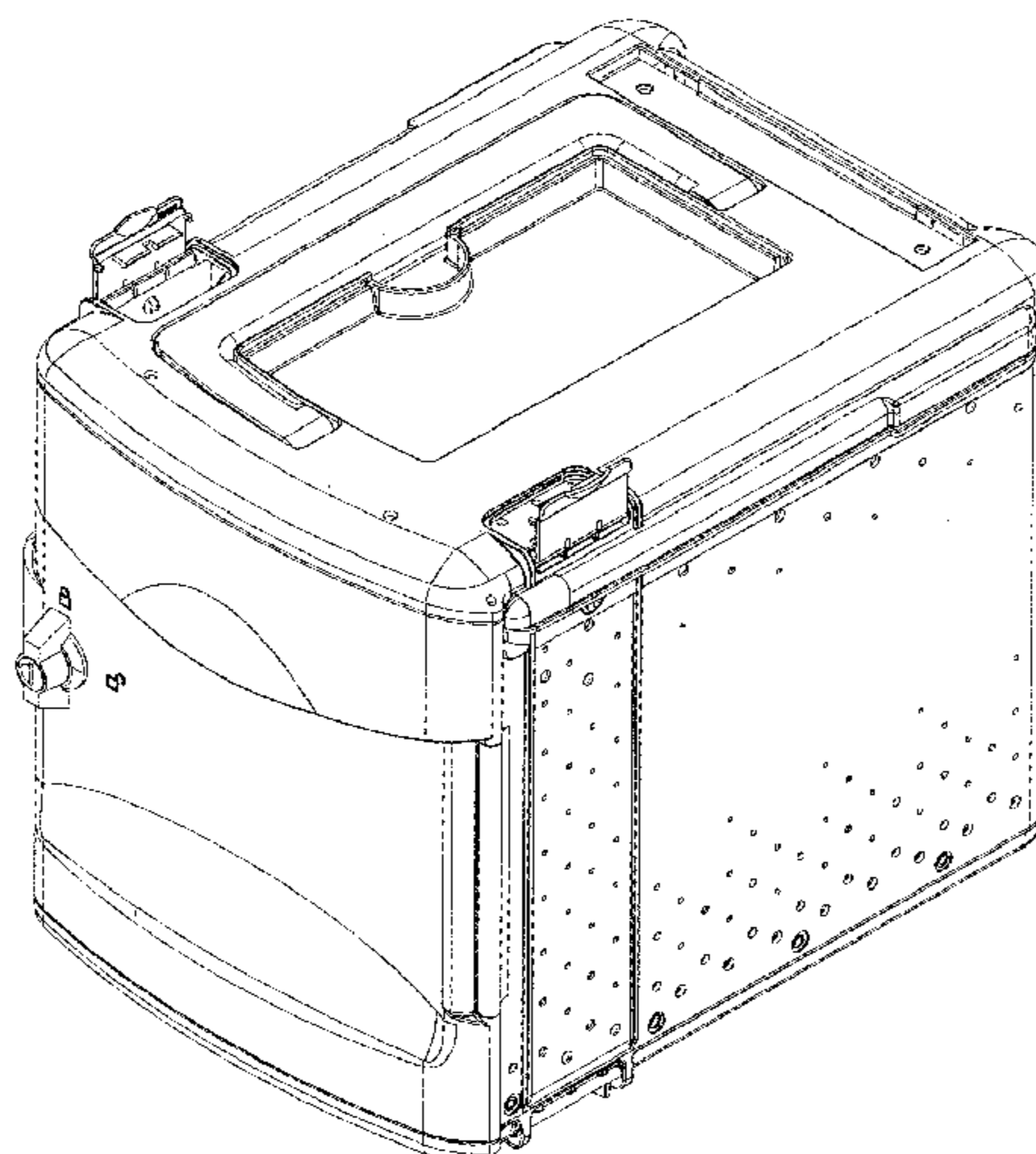
(56) **References Cited**

U.S. PATENT DOCUMENTS

D338,874 S \* 8/1993 Renard ..... D13/184  
D381,337 S \* 7/1997 Fechner ..... D13/184  
D504,590 S \* 5/2005 Marcombe ..... D6/632  
D530,287 S \* 10/2006 Stolpe ..... D13/162  
D584,251 S \* 1/2009 Lewis, II ..... D13/184  
D592,618 S \* 5/2009 Lewis, II ..... D13/184

(Continued)

**1 Claim, 8 Drawing Sheets**



(56)

**References Cited**

U.S. PATENT DOCUMENTS

8,643,501 B2 \* 2/2014 Sisley ..... H01H 9/167  
324/424  
D818,605 S \* 5/2018 Menon ..... D24/232

OTHER PUBLICATIONS

Kensington Computer Products Corp., Product Information for: Charge & Sync Cabinet for iPad Air, iPad and iPad mini, retrieved from: <http://www.kensington.com/us/us/4716/k67771am/charge-sync-cabinet-for-ipad-air-padspan-classregsymspan-and-ipad-mini190.V3usU7grKCg>, Oct. 15, 2015.

Griffin Technology, Product Information for: Multi Dock, retrieved from: <https://griffintechology.com/us/products/power/multidock>, Jul. 1, 2015.

Lockncharge, Product Information for: Carrier 10 Charging Station, retrieved from: <http://www.lockncharge.com/products/carrier-10-charging-station/>, Mar. 14, 2015.

Luxor, Product Information for: LLTMW12-G-12 Tablet Wall/Desk Charging Box, retrieved from: <http://www.luxorfum.com/products/?sku=LLTMW12-G>, Mar. 1, 2015.

Bretford Manufacturing, Inc., Product Information for: PowerSync+ Station 20 for iPad and iPad mini, retrieved from: <http://www.bretford.com/products/powersycplus-station>, Apr. 3, 2016.

\* cited by examiner

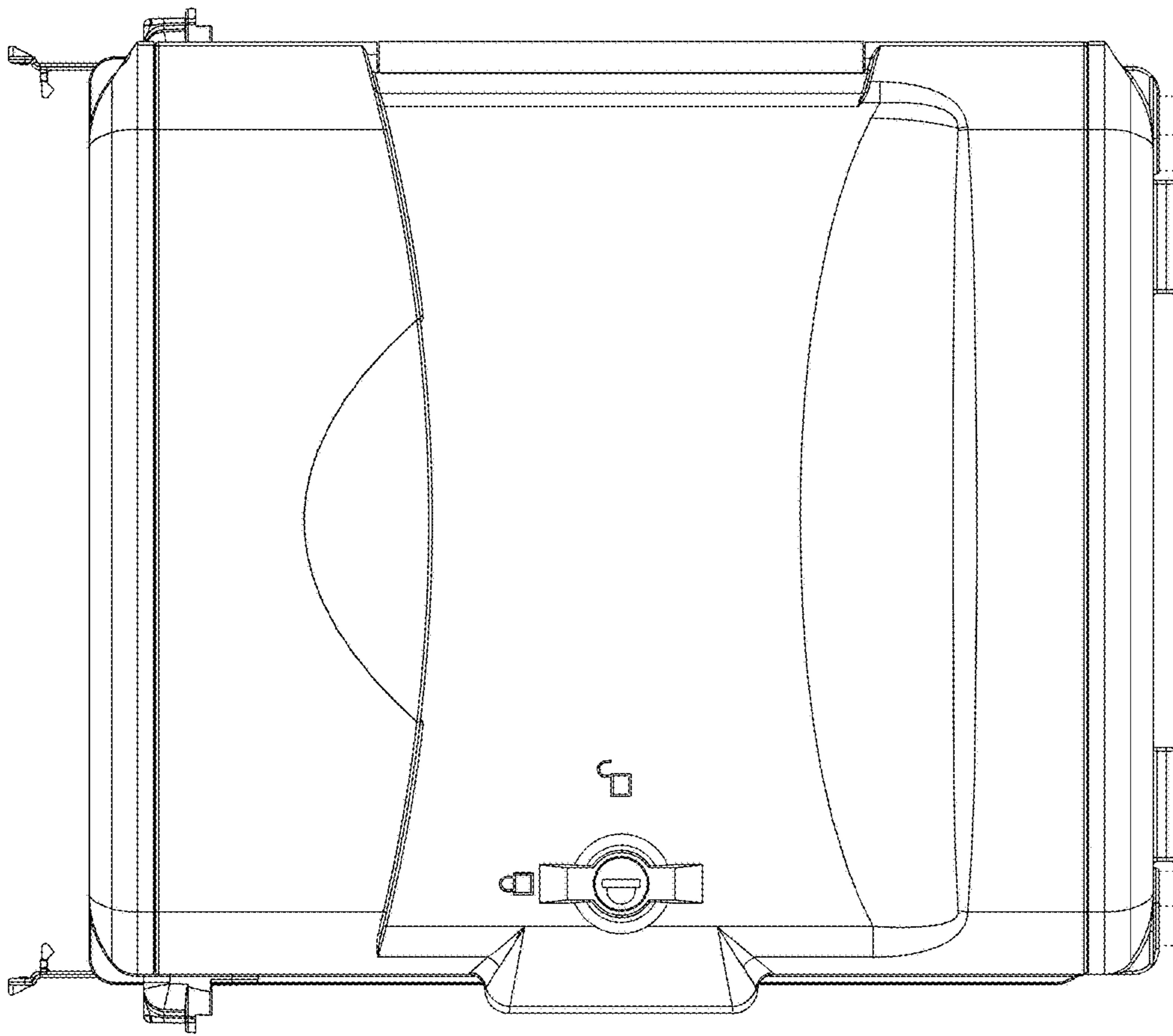


FIG. 1

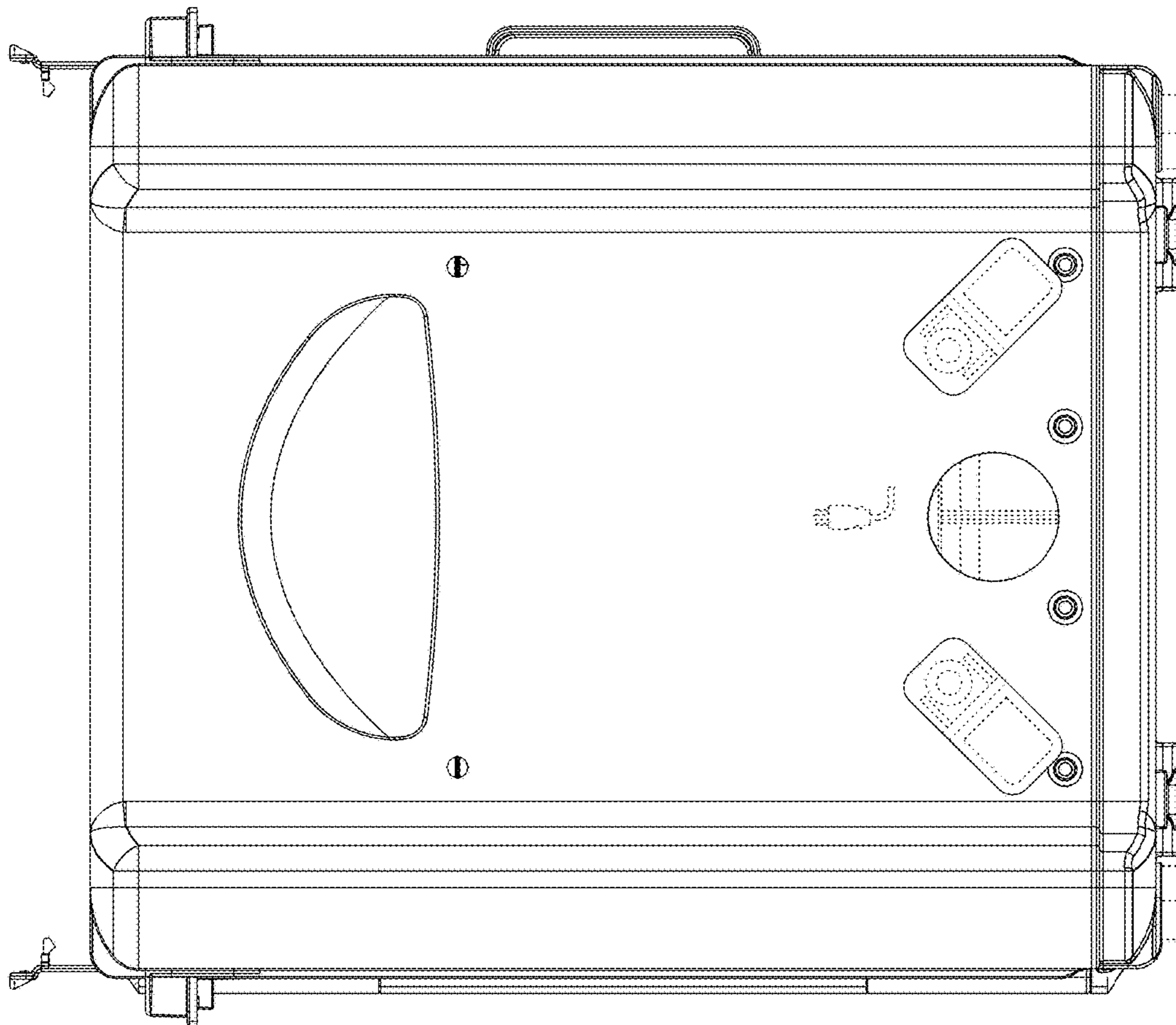


FIG. 2

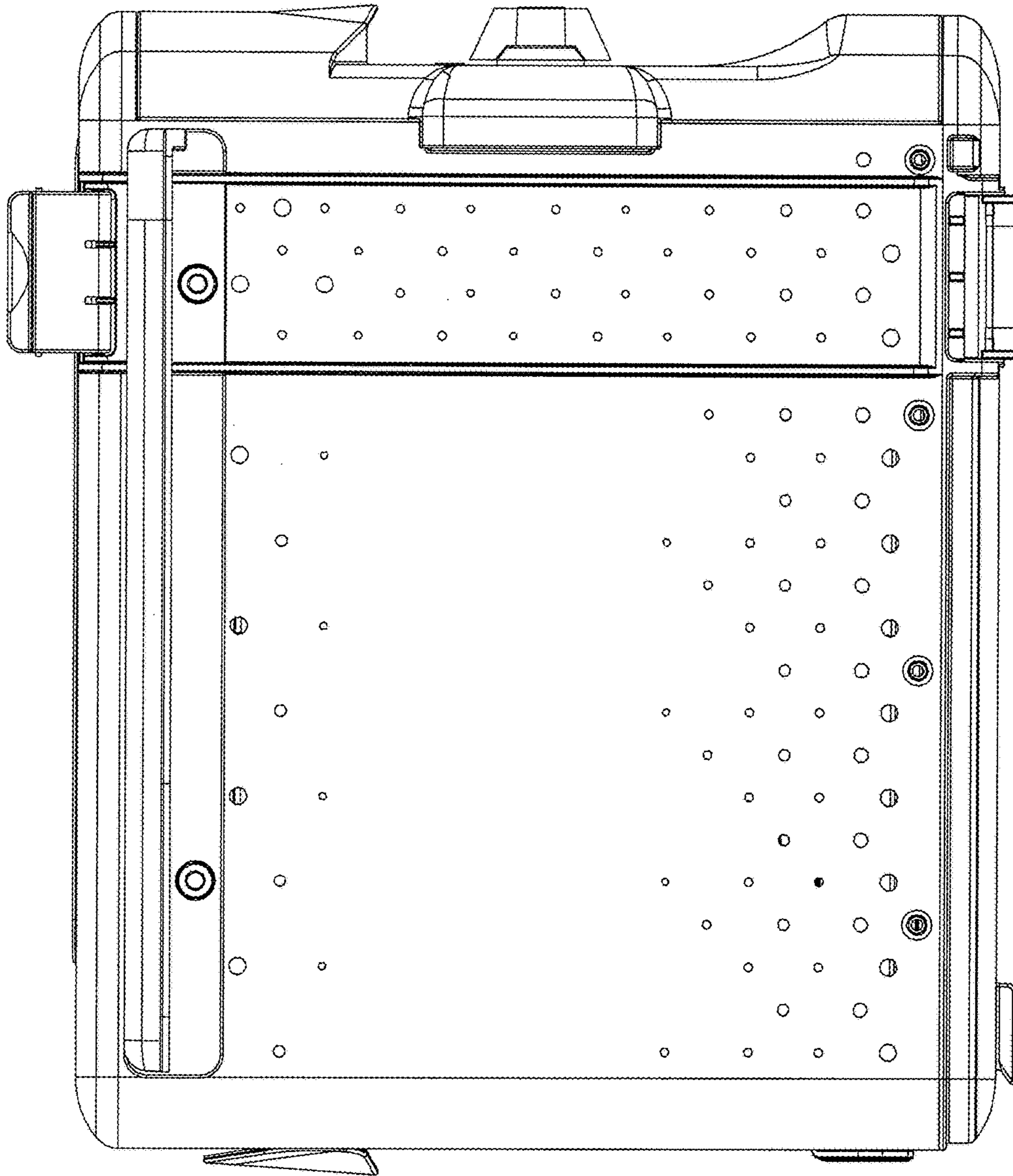


FIG. 3

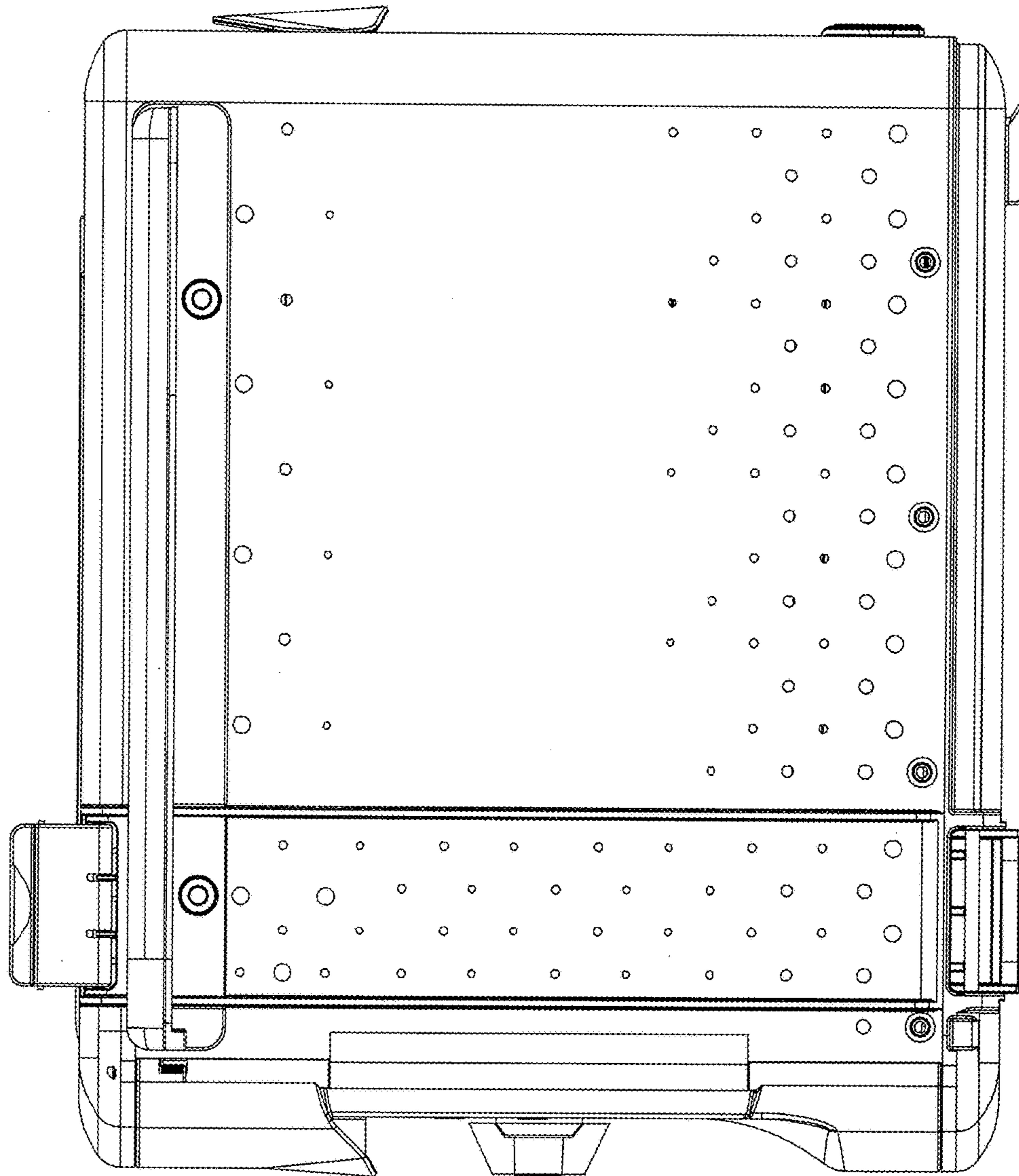


FIG. 4

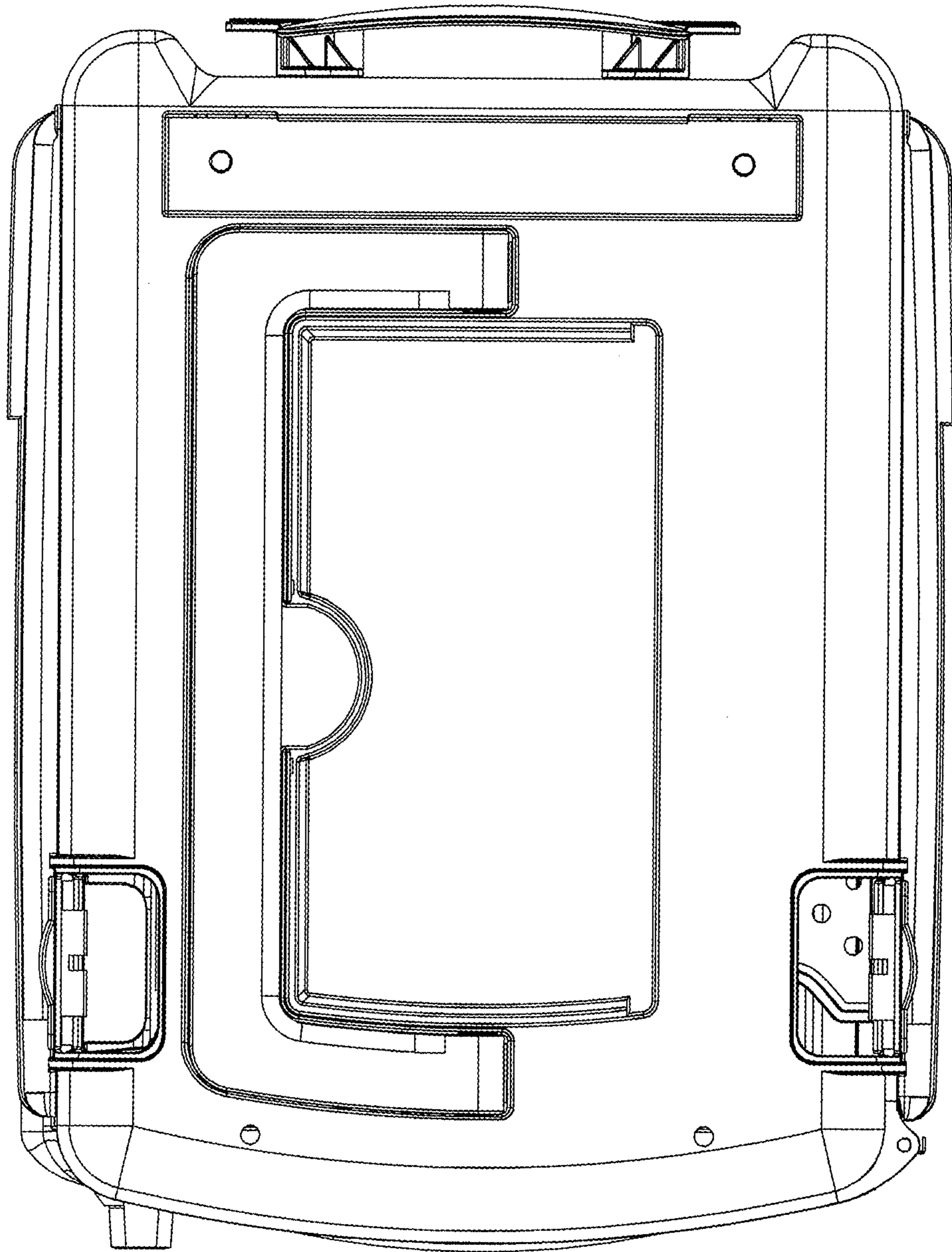


FIG. 5

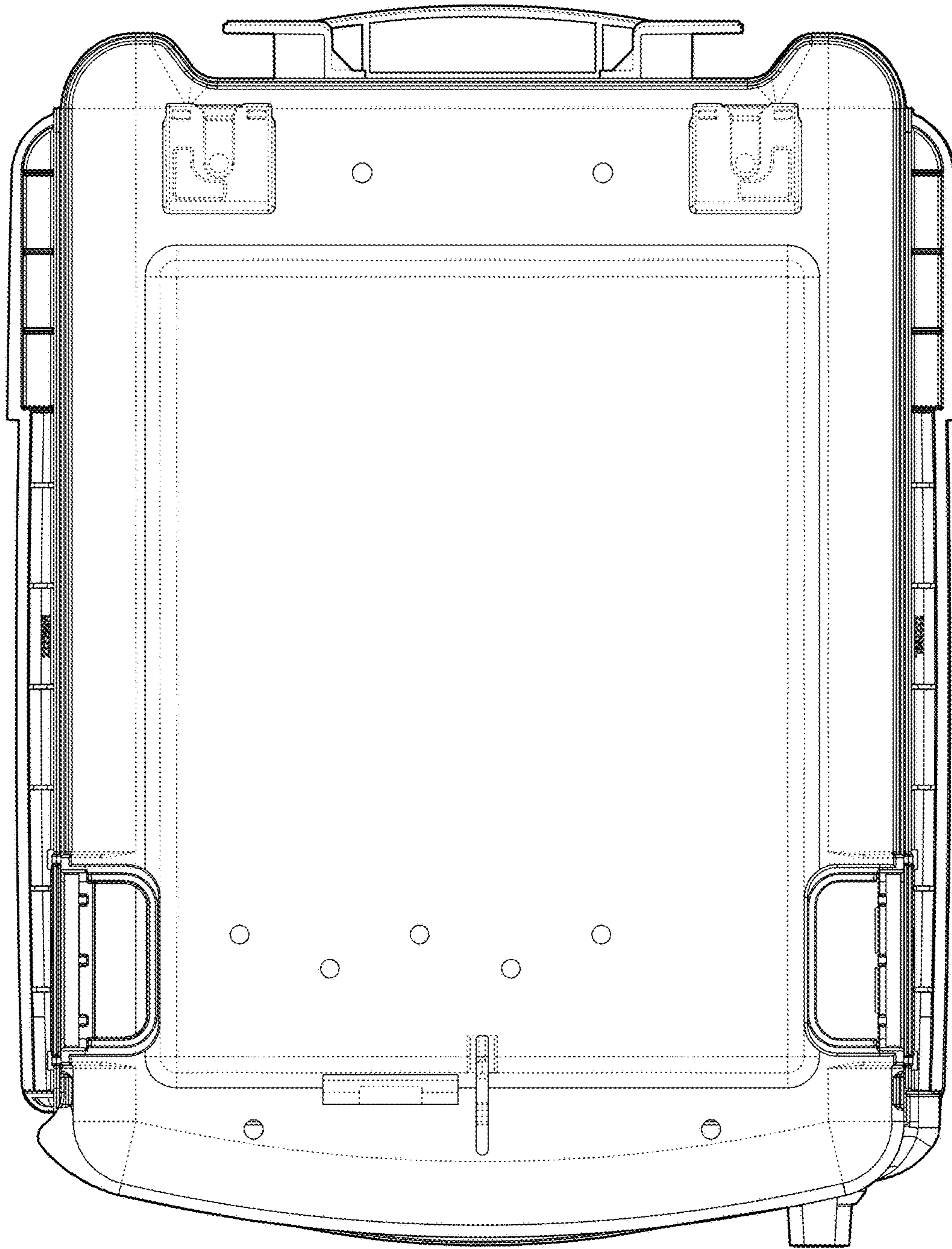


FIG. 6



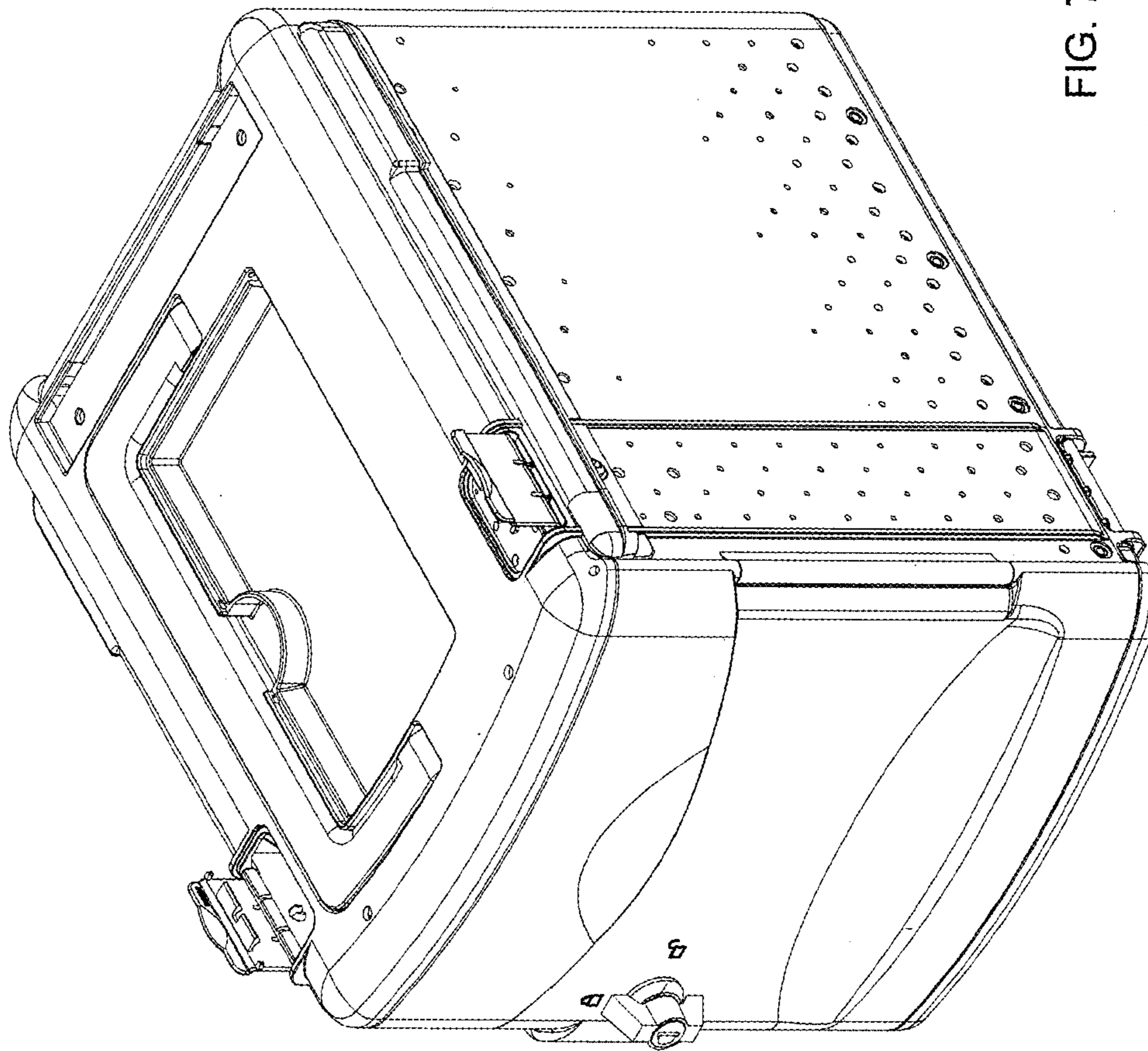


FIG. 7

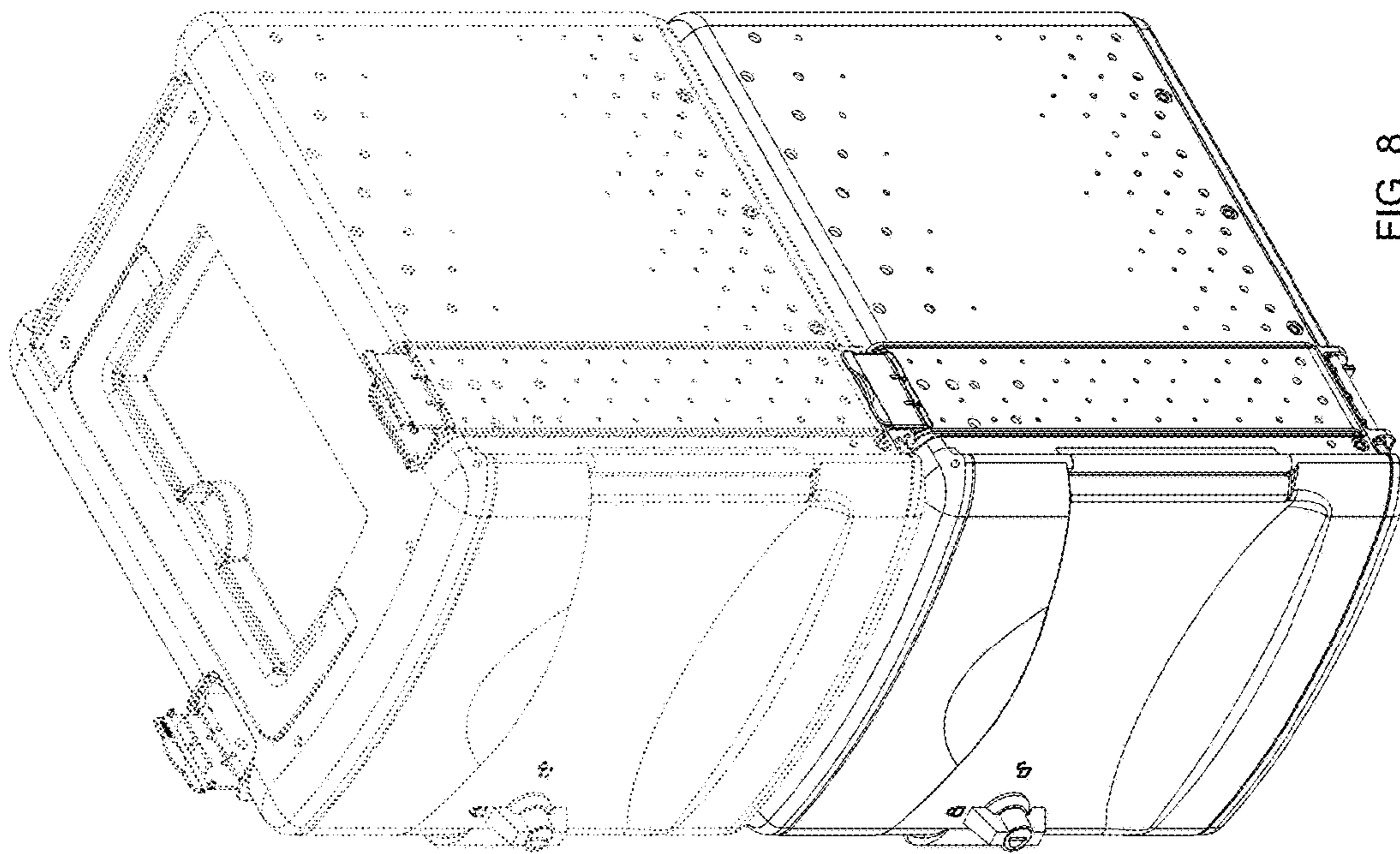


FIG. 8