

US00D865690S

(12) **United States Design Patent** (10) **Patent No.:** **US D865,690 S**
Sakamoto (45) **Date of Patent:** **** Nov. 5, 2019**

(54) **PART FOR SEMICONDUCTOR DEVICE**

FOREIGN PATENT DOCUMENTS

(71) Applicant: **HAMAMATSU PHOTONICS K.K.**,
Hamamatsu-shi, Shizuoka (JP)

TW 404562 9/2000
TW 443580 6/2001

(Continued)

(72) Inventor: **Takeshi Sakamoto**, Hamamatsu (JP)

Primary Examiner — Elizabeth J Oswecki

(73) Assignee: **HAMAMATSU PHOTONICS K.K.**,
Hamamatsu-shi, Shizuoka (JP)

(74) *Attorney, Agent, or Firm* — Drinker Biddle & Reath
LLP

(**) Term: **15 Years**

(21) Appl. No.: **29/641,852**

(57) **CLAIM**

(22) Filed: **Mar. 26, 2018**

The ornamental design for a part for semiconductor device,
as shown and described.

(30) **Foreign Application Priority Data**

Sep. 27, 2017 (JP) 2017-021147

(51) **LOC (12) Cl.** **13-03**

(52) **U.S. Cl.**
USPC **D13/182**

(58) **Field of Classification Search**

USPC D13/110, 182; 257/678, 684, 690, 691;
361/679.01, 713, 728, 736, 760, 761, 772,
361/775, 783, 820; 174/250, 253;
438/15, 25, 26, 51, 55, 63, 64, 106
CPC . H01L 21/00; H01L 2224/42; H01L 2224/43;
H01L 2021/00; H01L 2021/02; H01L
2021/04; H01L 21/4814; H01L 21/4846;
H01L 21/4871; H01L 21/67144; H01L
23/12; H01L 23/13; H01L 23/14; H01L
23/147; H01L 2924/171; H01L
2924/1711; H01L 2924/1715; H01L
2924/171151; H01L 2924/181; H01L
2924/1811; H01L 2924/1815; H01L
(Continued)

DESCRIPTION

FIG. 1 is a front view of a part for semiconductor device
showing my new design;

FIG. 2 is a rear view thereof;

FIG. 3 is a top plan view thereof;

FIG. 4 is a bottom plan view thereof;

FIG. 5 is a right side view thereof;

FIG. 6 is a left side view thereof;

FIG. 7 is a perspective view thereof;

FIG. 8 is an enlarged cross-sectional view taken along line
8-8 in FIG. 1;

FIG. 9 is an enlarged cross-sectional view taken along line
9-9 in FIG. 1;

FIG. 10 is an enlarged cross-sectional view of a portion
labeled **10'-10'** in FIG. 1 and a portion labeled **10"-10"** in
FIG. 5 taken along line **10-10** in FIG. 1; and,

FIG. 11 is an enlarged cross-sectional view of a portion
labeled **11'-11'** in FIG. 1 and a portion labeled **11"-11"** in
FIG. 5 taken along line **11-11** in FIG. 1.

The features shown in broken lines depict environmental
subject matter only and form no part of the claimed design.

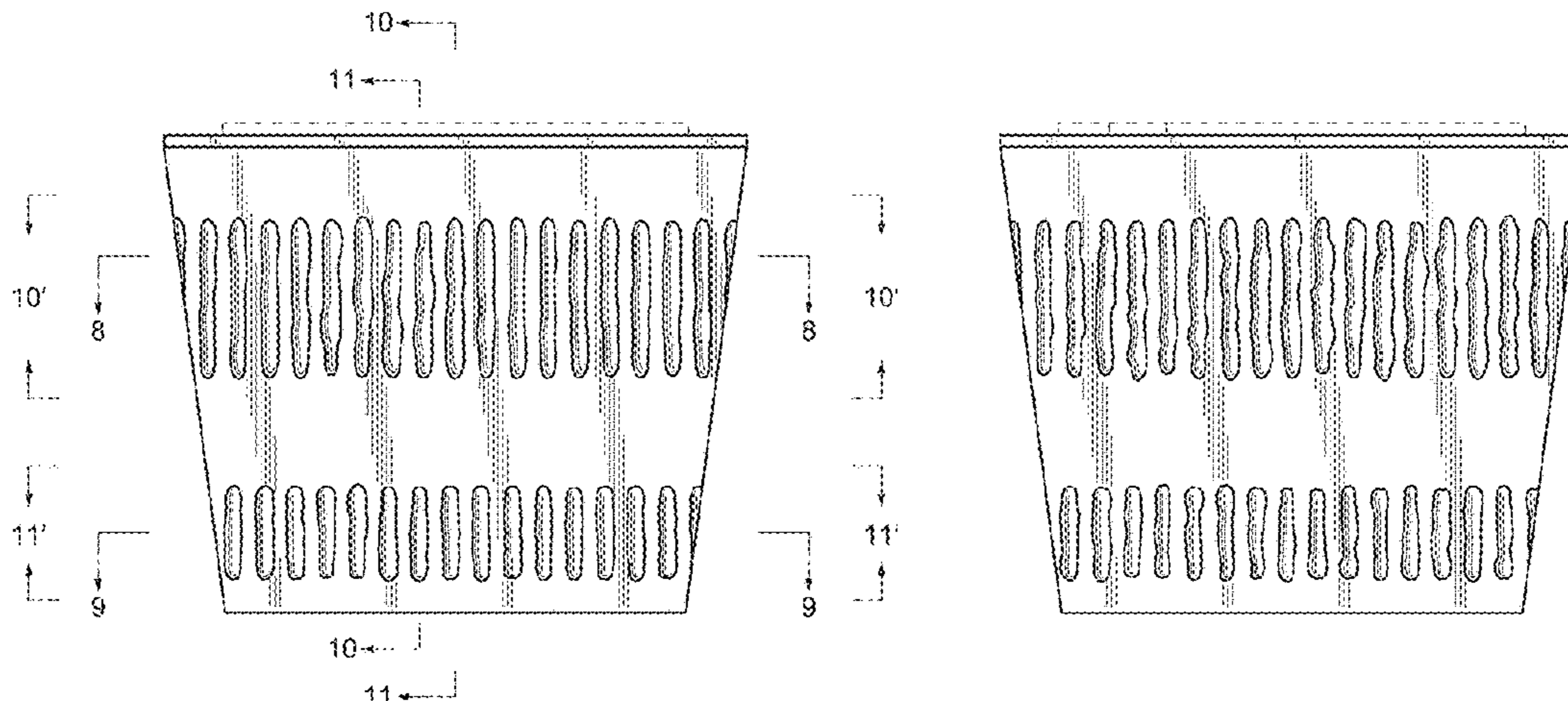
(56) **References Cited**

U.S. PATENT DOCUMENTS

5,347,160 A * 9/1994 Sutrina H01L 24/72
257/678

D395,423 S * 6/1998 Koyama D13/182
(Continued)

1 Claim, 11 Drawing Sheets



(58) **Field of Classification Search**

CPC 2924/19042; H01L 2224/08054; H01L
23/58; H05B 41/14; H05K 1/142; H05K
1/144; H05K 1/18; H05K 1/181; H05K
1/182; H05K 1/026

See application file for complete search history.

(56) **References Cited**

U.S. PATENT DOCUMENTS

D395,638 S *	6/1998	Koyama	D13/182
D427,977 S *	7/2000	Takizawa	D13/182
D432,095 S *	10/2000	Seeger	D13/182
D476,959 S *	7/2003	Yamada	D13/182
D587,662 S *	3/2009	Soutome	D13/182
D589,012 S *	3/2009	Soyano	D13/182
D653,633 S *	2/2012	Soyano	D13/182
D653,634 S *	2/2012	Soyano	D13/182
D686,174 S *	7/2013	Soyano	D13/182
D704,670 S *	5/2014	Chen	D13/182
D704,671 S *	5/2014	Chen	D13/182
D710,317 S *	8/2014	Chen	D13/182
D710,318 S *	8/2014	Chen	D13/182
D710,319 S *	8/2014	Chen	D13/182
D719,537 S *	12/2014	Kawase	D13/182
D727,861 S *	4/2015	Tang	D13/182
D754,084 S *	4/2016	Kawase	D13/182
D759,604 S *	6/2016	Yoneyama	D13/182
D762,185 S *	7/2016	Muehlensiep	D13/182
D762,597 S *	8/2016	Bertalan	D13/182

D766,851 S *	9/2016	Yoneyama	D13/182
D767,516 S *	9/2016	Yoneyama	D13/182
D768,115 S *	10/2016	Kazanchian	D13/182
D769,834 S *	10/2016	Kawase	D13/182
D772,184 S *	11/2016	Soyano	D13/182
D773,412 S *	12/2016	Yoneyama	D13/182
D773,413 S *	12/2016	Yoneyama	D13/182
D774,479 S *	12/2016	Soyano	D13/182
D775,091 S *	12/2016	Edenharter	D13/182
D775,593 S *	1/2017	Edenharter	D13/182
D776,071 S *	1/2017	Edenharter	D13/182
D783,550 S *	4/2017	Hasegawa	D13/182
D785,577 S *	5/2017	Kawase	D13/182
D813,182 S *	3/2018	Imai	D13/182

FOREIGN PATENT DOCUMENTS

TW	452191	8/2001
TW	461582	10/2001
TW	446183	11/2001
TW	491359	6/2002
TW	495035	7/2002
TW	510503	11/2002
TW	529771	4/2003
TW	556957	10/2003
TW	M293525	7/2006
TW	M352128	3/2009
TW	M379066	4/2010
TW	M386593	8/2010
TW	M478909	5/2014
TW	M482158	7/2014

* cited by examiner

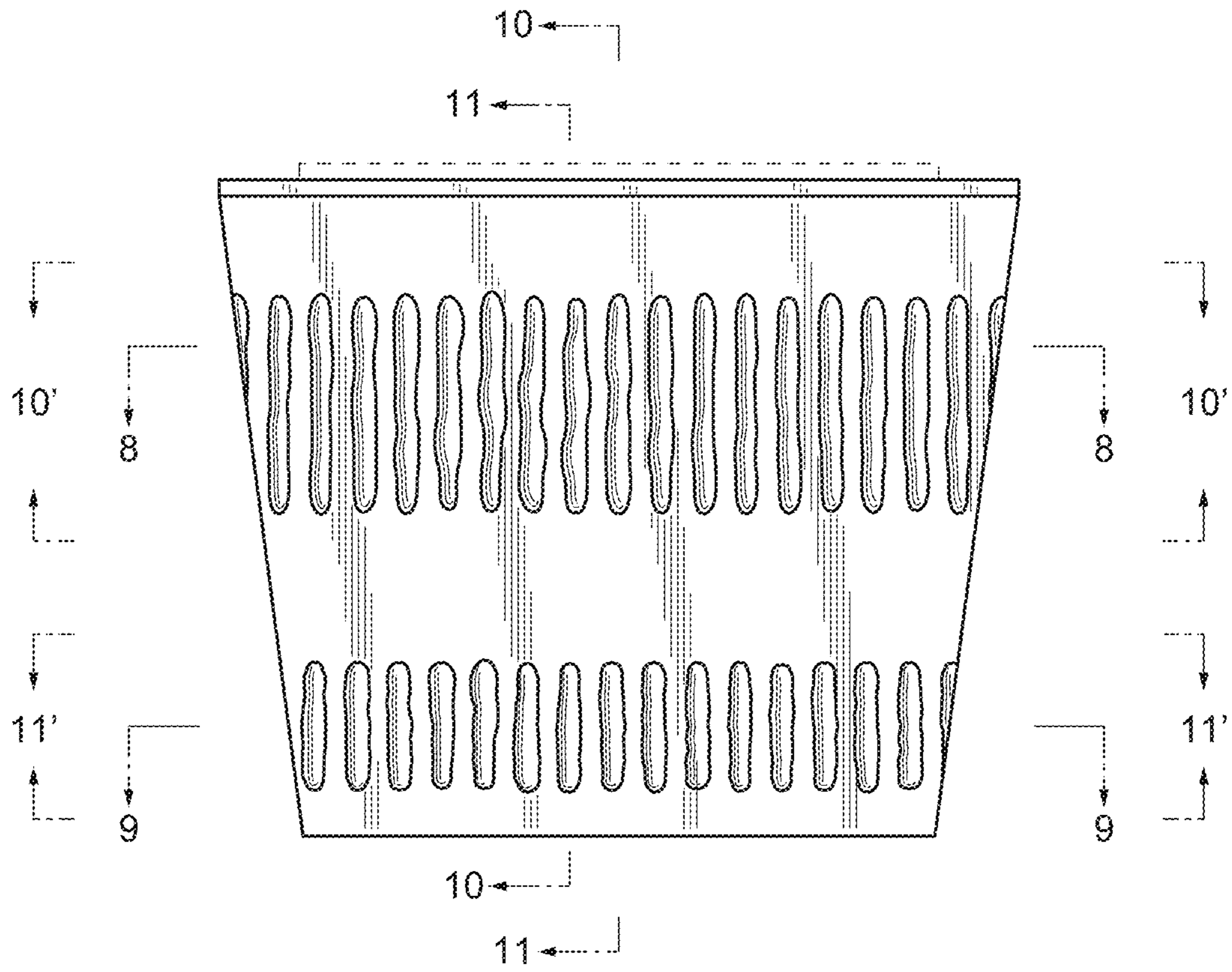


FIG. 1

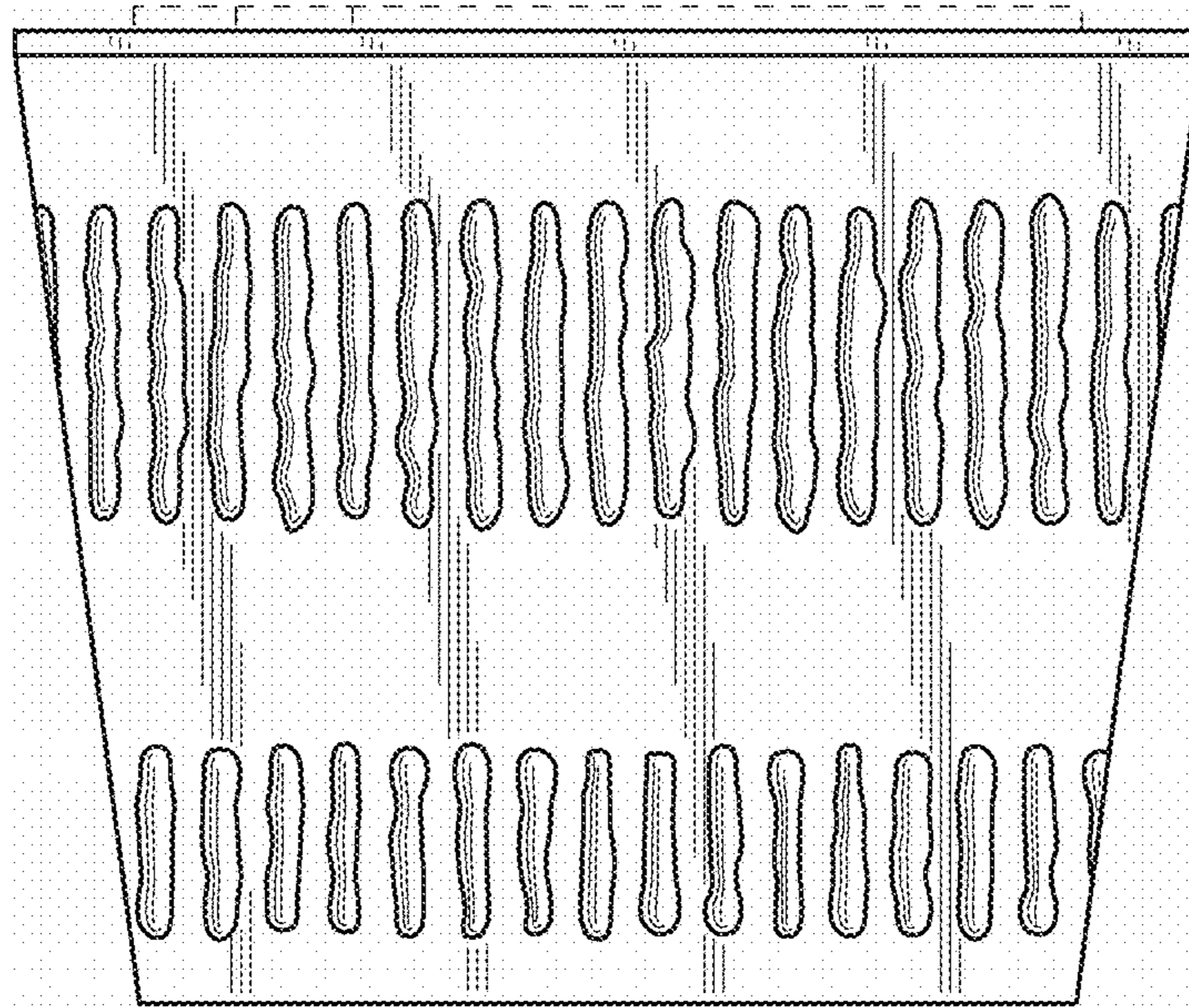


FIG. 2

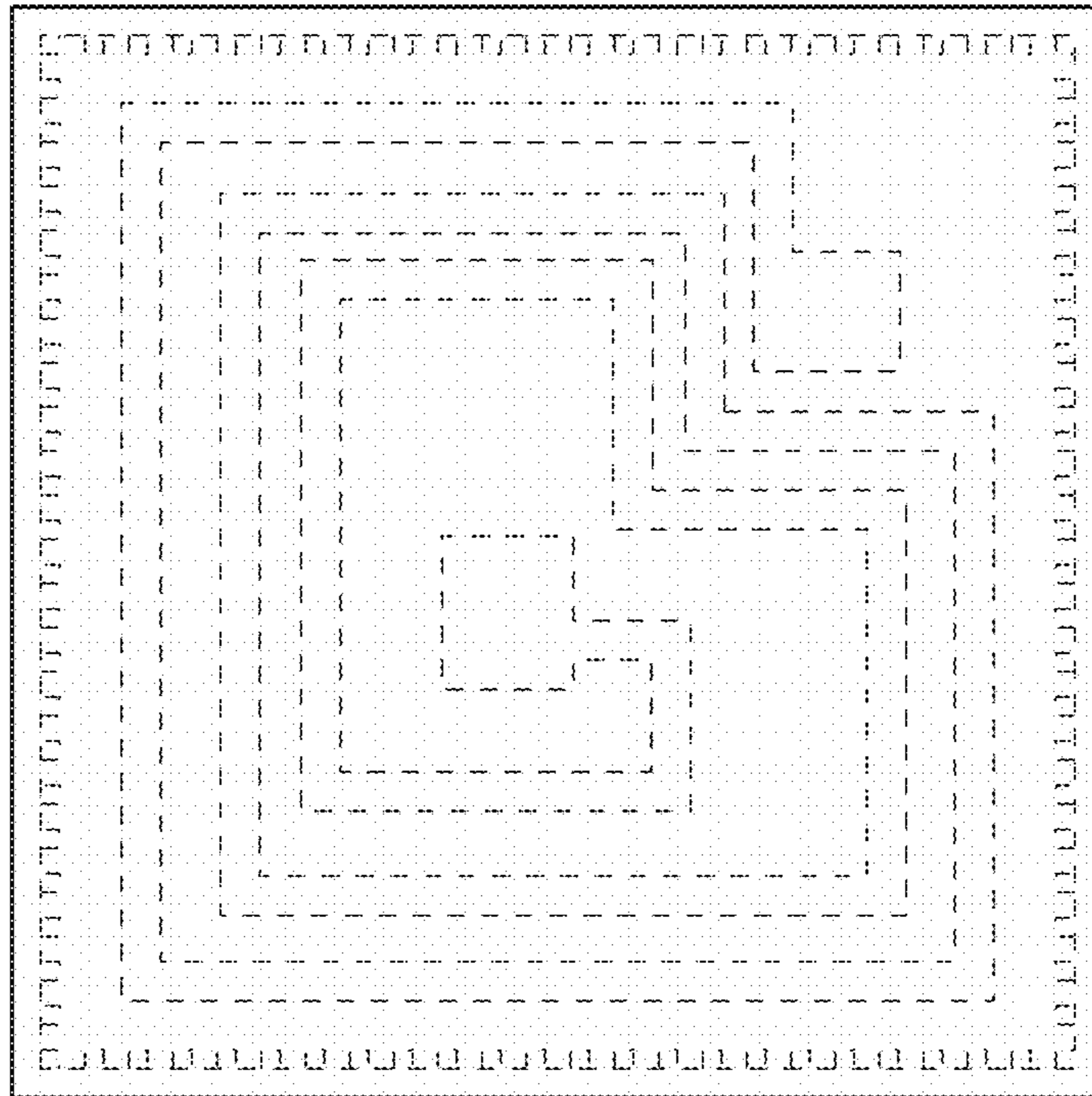


FIG. 3

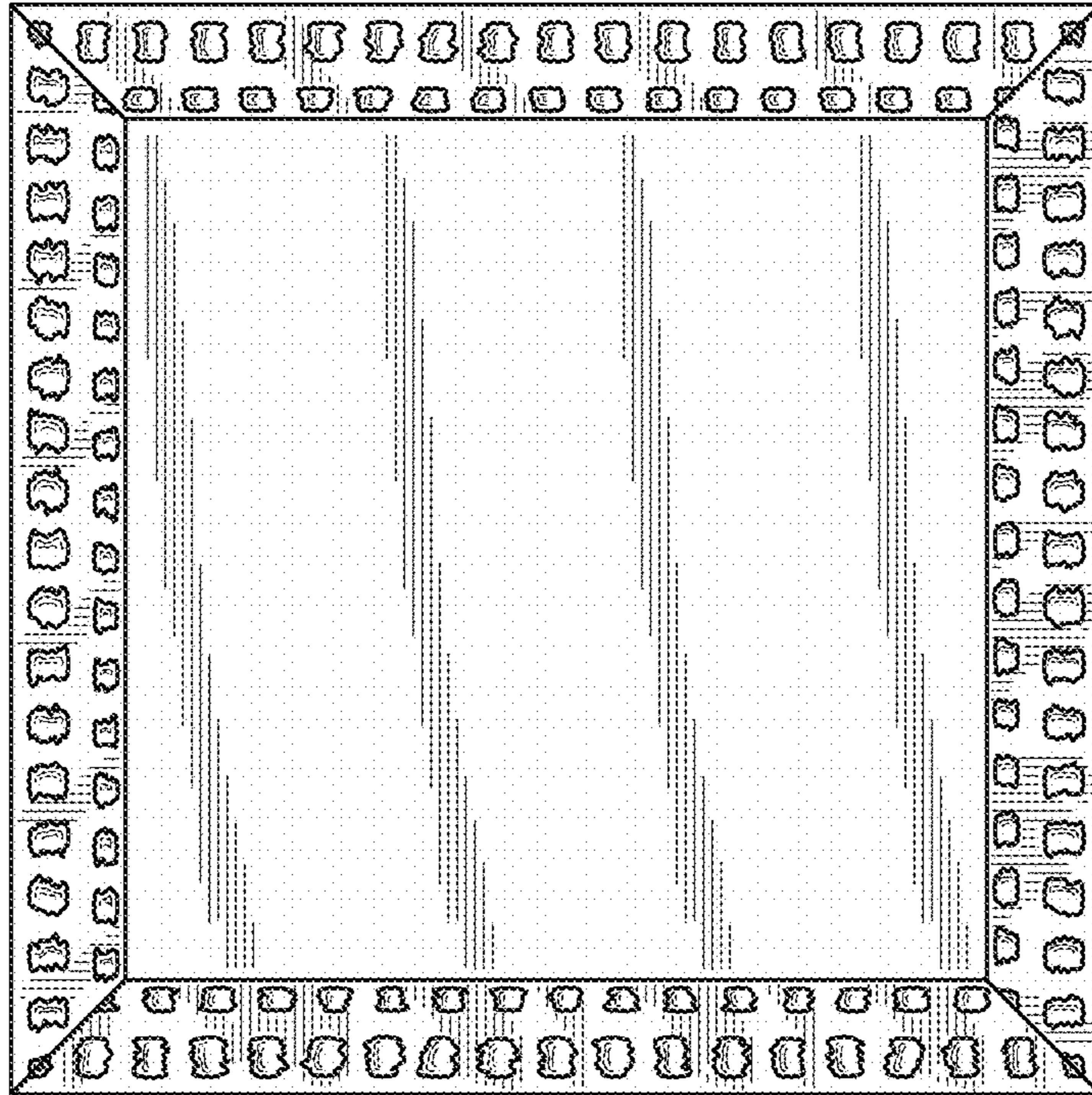


FIG. 4

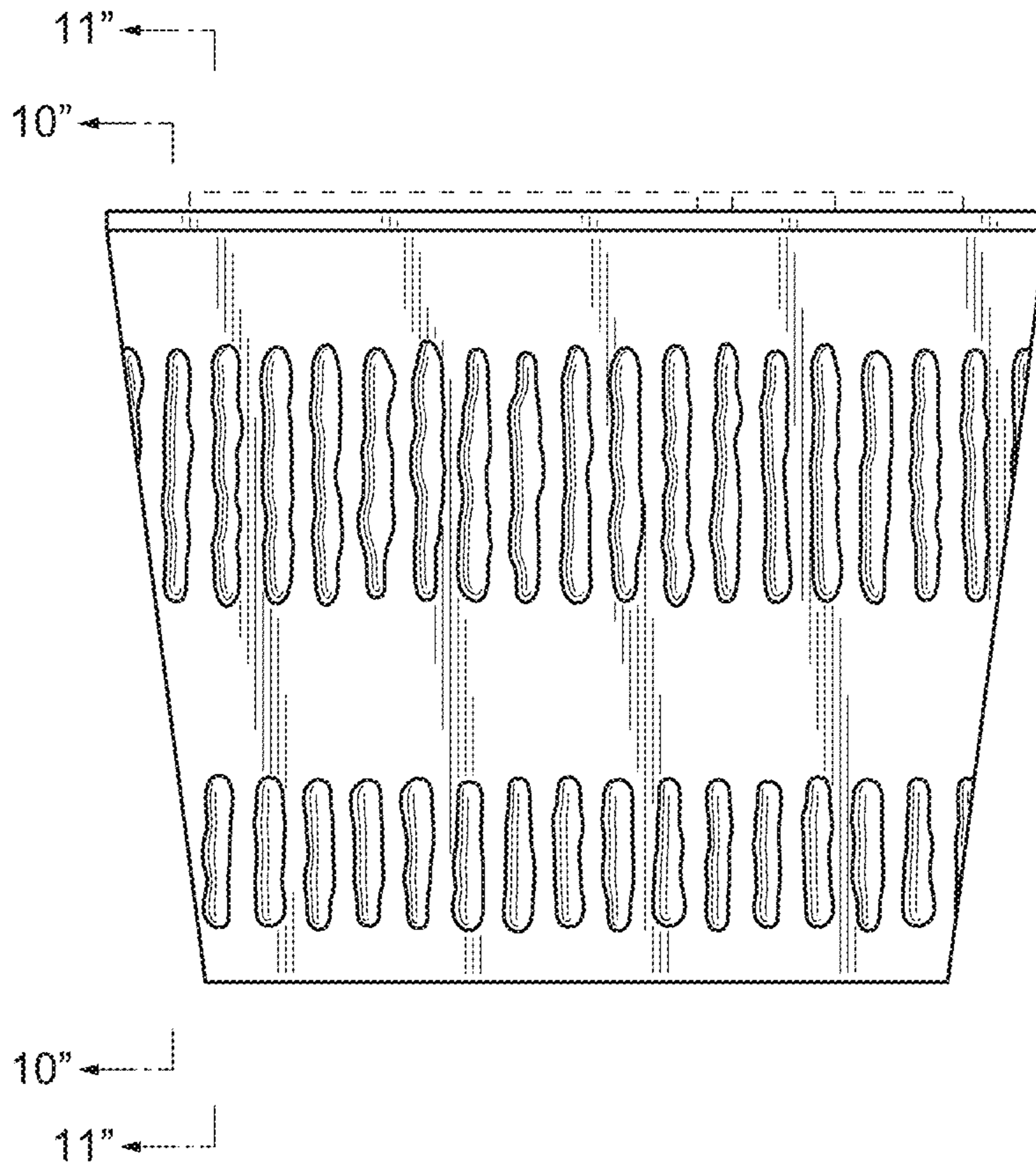


FIG. 5

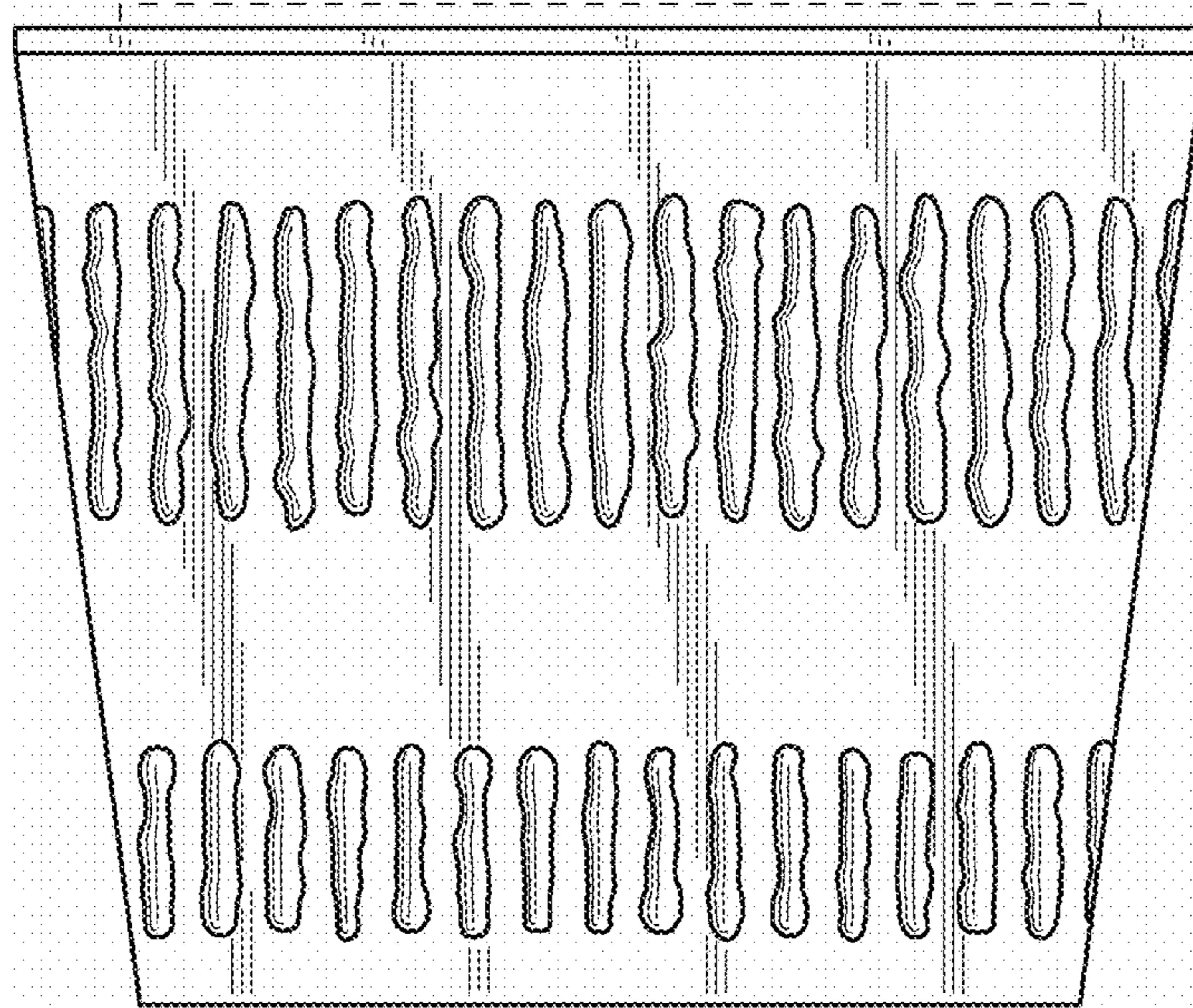


FIG. 6

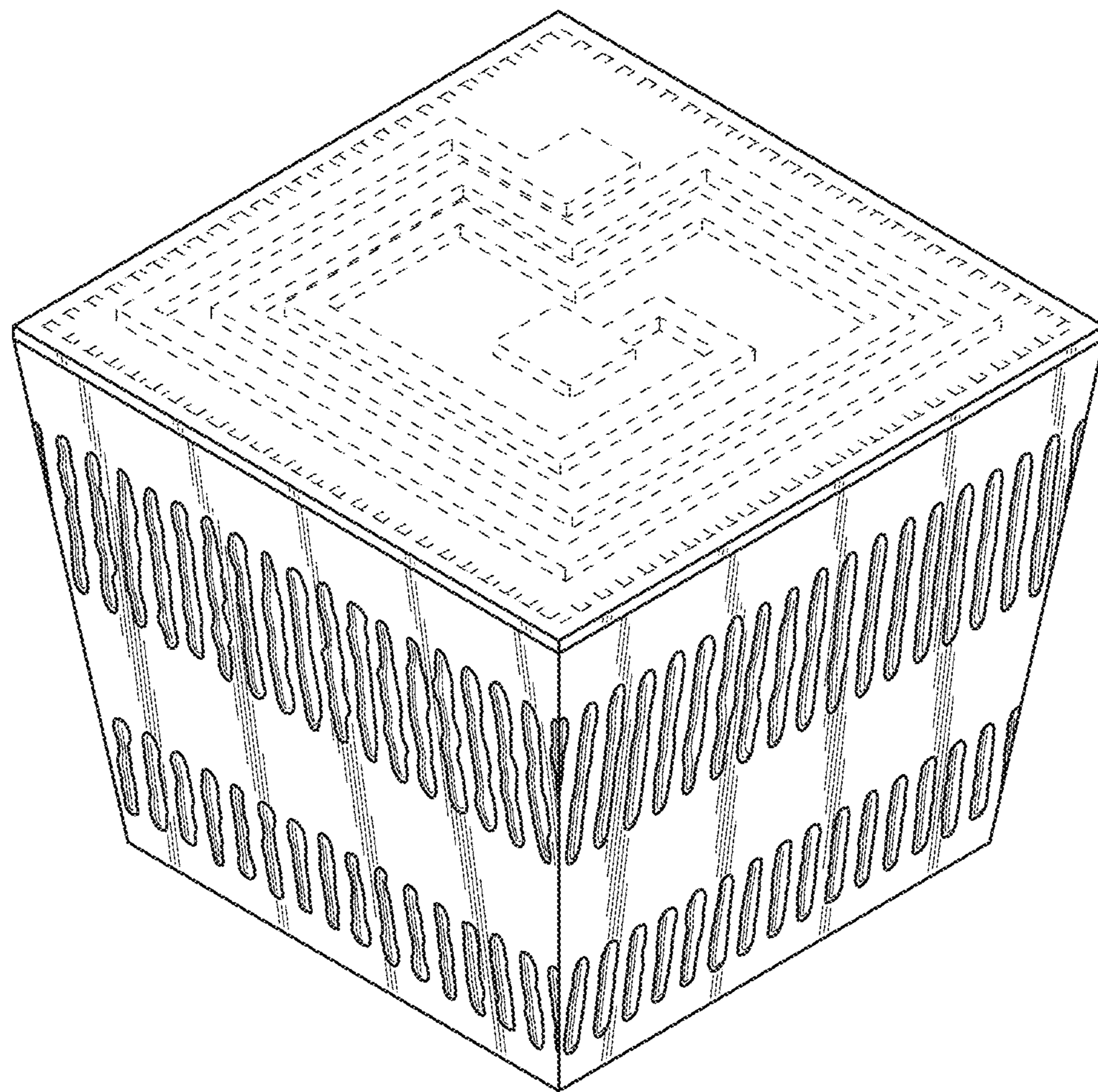


FIG. 7

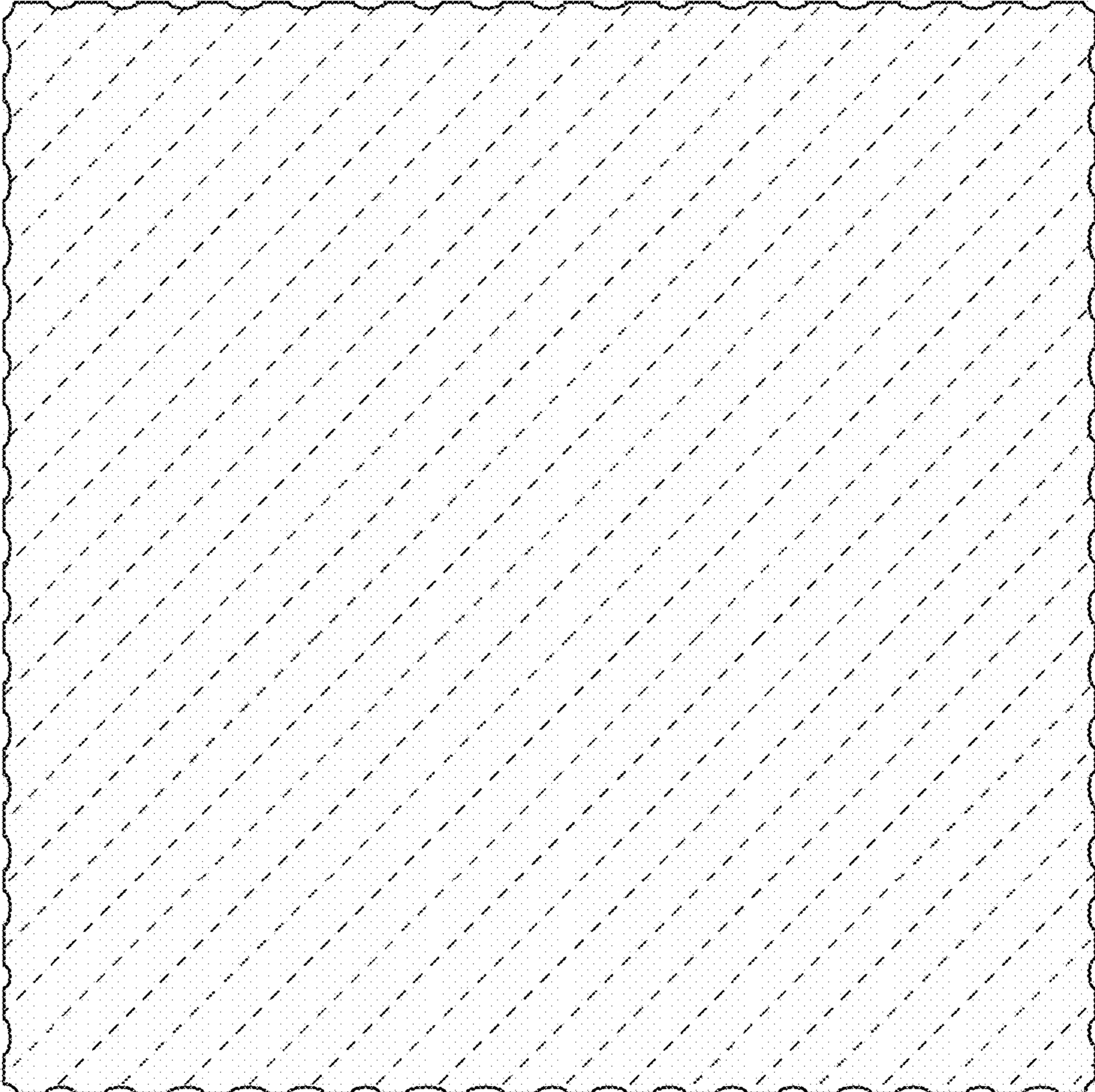


FIG. 8

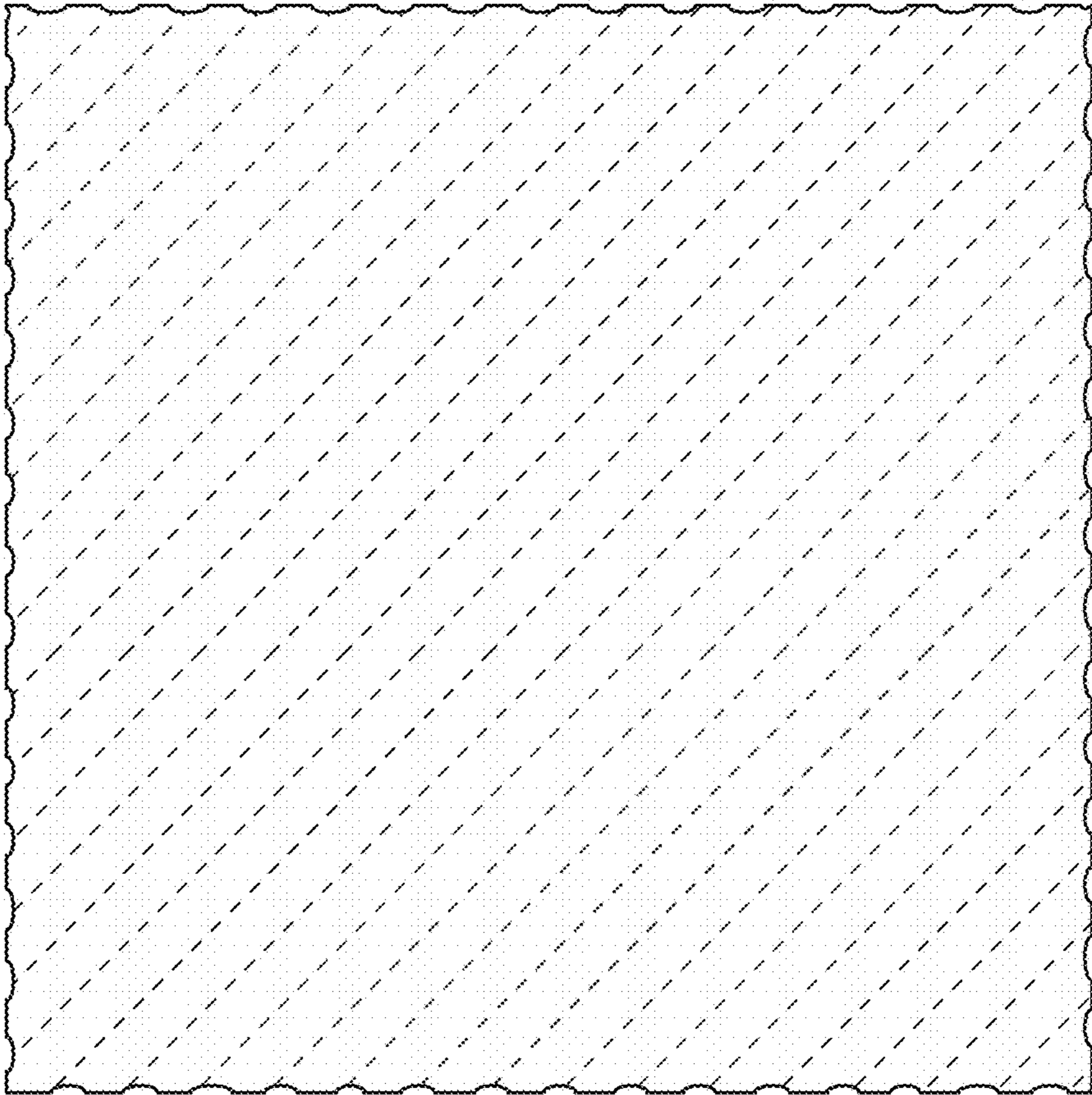


FIG. 9

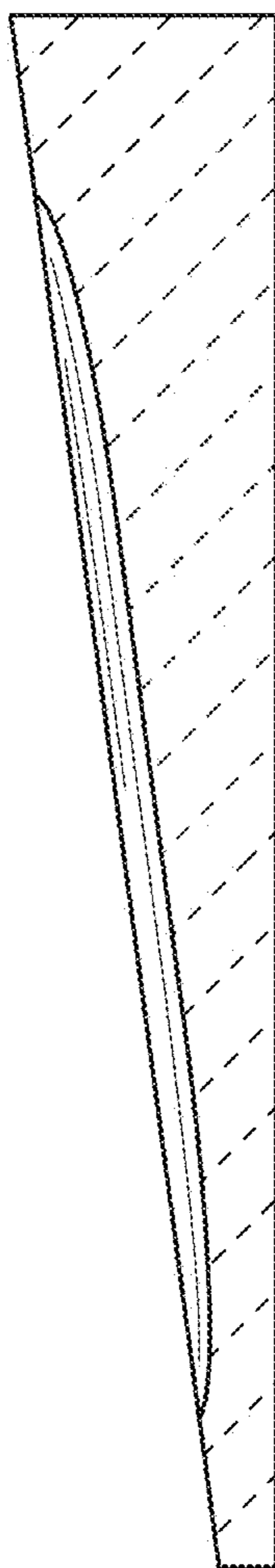


FIG. 10



FIG. 11