



US00D865688S

(12) **United States Design Patent** (10) **Patent No.:** **US D865,688 S**
Oh et al. (45) **Date of Patent:** **** Nov. 5, 2019**

(54) **LED PACKAGE**

(71) Applicant: **LUMENS CO., LTD.**, Yongin-si, Gyeonggi-do (KR)

(72) Inventors: **Seunghyun Oh**, Yongin-si (KR); **Pyounggug Kim**, Yongin-si (KR); **Sungsik Jo**, Yongin-si (KR)

(73) Assignee: **LUMENS CO., LTD.**, Yongin-si (KR)

(**) Term: **15 Years**

(21) Appl. No.: **29/655,474**

(22) Filed: **Jul. 3, 2018**

(51) **LOC (12) Cl.** **13-03**

(52) **U.S. Cl.**
USPC **D13/180**

(58) **Field of Classification Search**
USPC D13/180; D26/1
CPC ... H01L 25/167; H01L 25/0753; H01L 27/15;
H01L 27/156; H01L 31/02; H01L 33/00;
H01L 33/04; H01L 33/08; H01L 33/10;
H01L 33/20; H01L 33/38; H01L 33/42;
H01L 33/48; H01L 33/483; H01L 33/486
See application file for complete search history.

(56) **References Cited**

U.S. PATENT DOCUMENTS

D578,084 S * 10/2008 Kobayakawa D13/180
D608,309 S * 1/2010 Kim D13/180
D640,993 S * 7/2011 Lin D13/180

D654,032 S * 2/2012 Yu D13/180
D656,468 S * 3/2012 Park D13/180
D697,877 S * 1/2014 Hsu D13/180
D728,492 S * 5/2015 Lin D13/180
2013/0277701 A1* 10/2013 Okabe H01L 33/38
257/98
2016/0293810 A1* 10/2016 Baike H01L 33/40
2019/0058099 A1* 2/2019 Oh H01L 33/38

* cited by examiner

Primary Examiner — Selina Sikder

(74) *Attorney, Agent, or Firm* — Mei & Mark LLP

(57) **CLAIM**

The ornamental design for an LED package, as shown and described.

DESCRIPTION

FIG. 1 is a perspective view of the ornamental design of the present invention;
FIG. 2 is a front view of the ornamental design of the present invention;
FIG. 3 is a rear view of the ornamental design of the present invention;
FIG. 4 is a left side view of the ornamental design of the present invention;
FIG. 5 is a right side view of the ornamental design of the present invention;
FIG. 6 is a top view of the ornamental design of the present invention; and,
FIG. 7 is a bottom view of the ornamental design of the present invention;

1 Claim, 3 Drawing Sheets

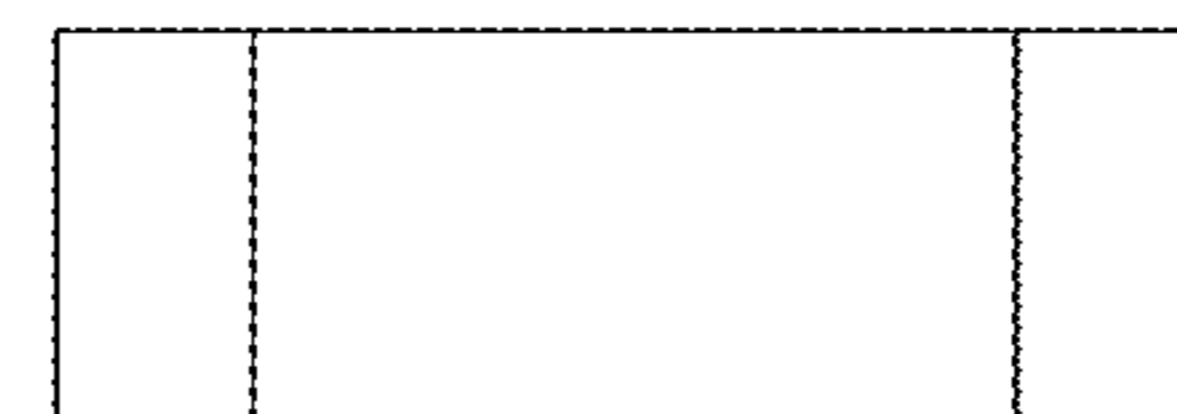
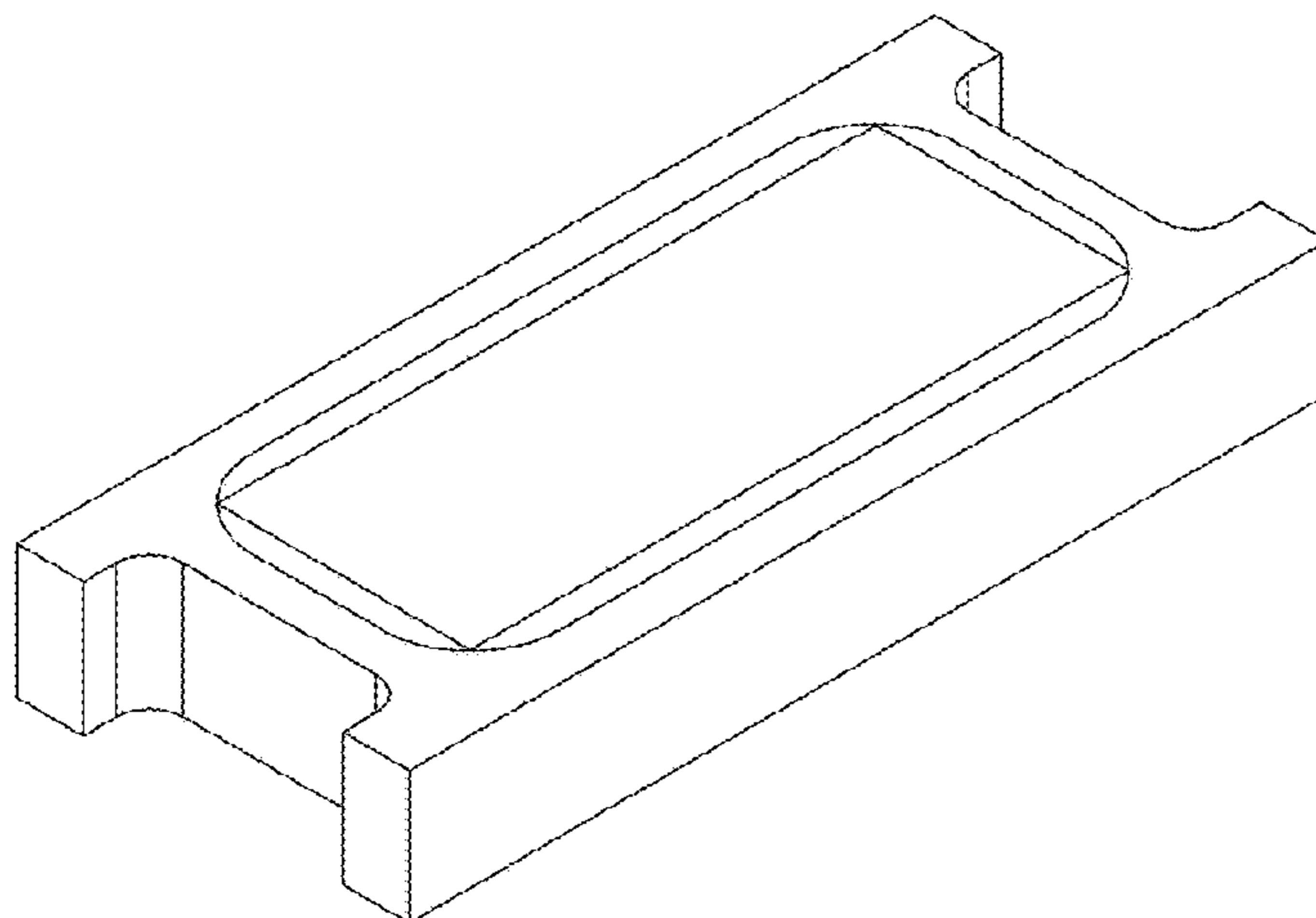


Fig.1

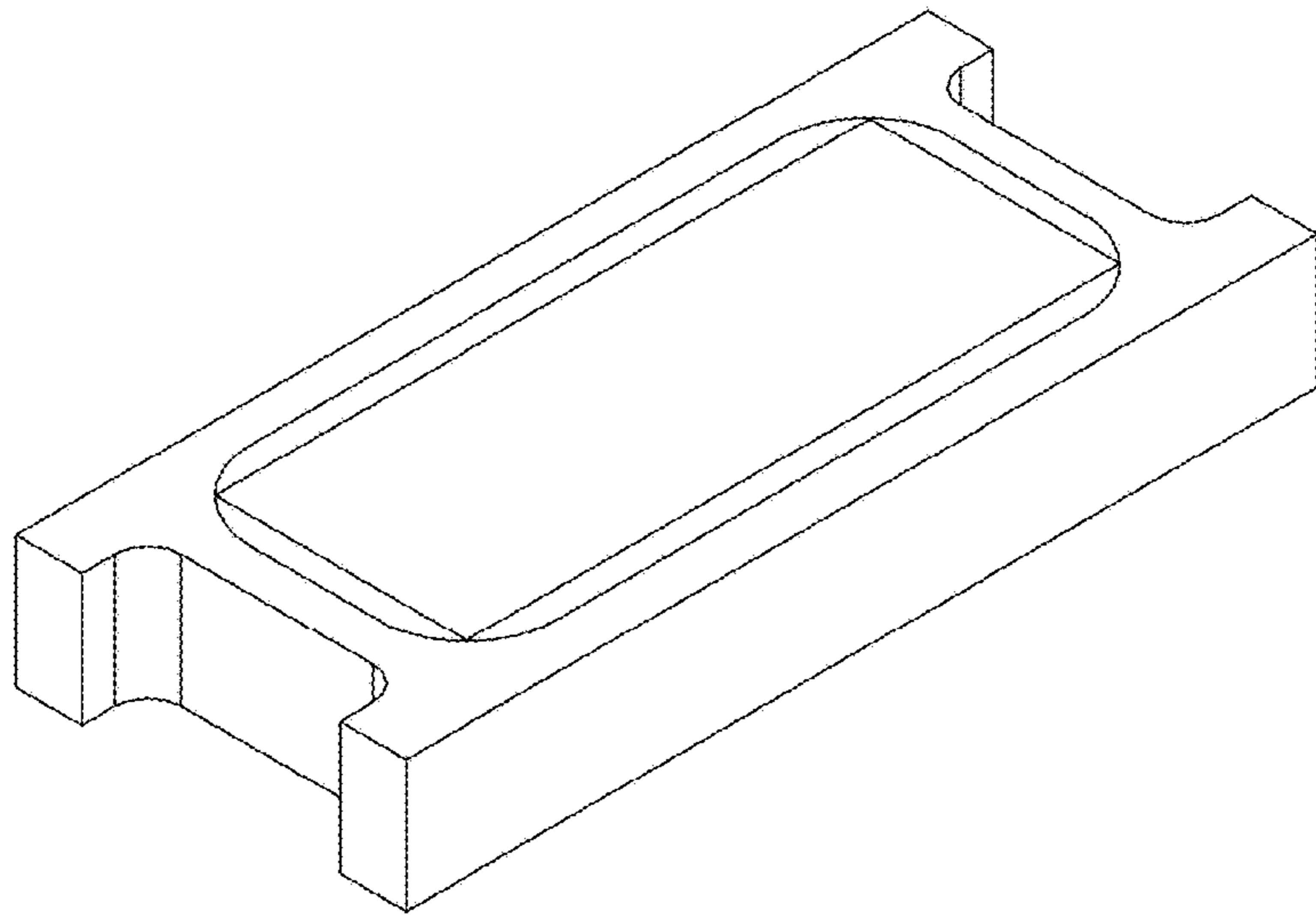


Fig.2



Fig.3



Fig.4



Fig.5



Fig.6

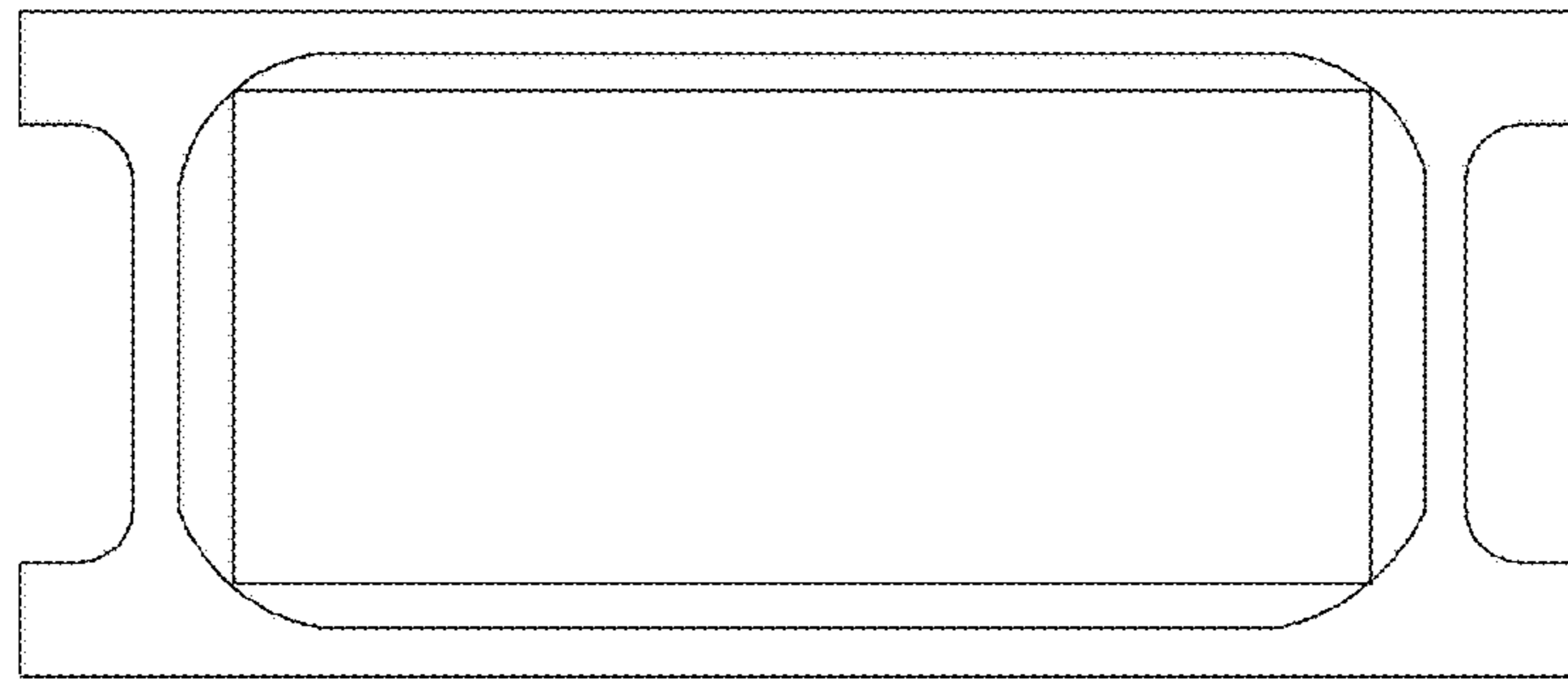


Fig.7

