



US00D865687S

(12) **United States Design Patent**
Oh et al.

(10) **Patent No.:** **US D865,687 S**

(45) **Date of Patent:** **** Nov. 5, 2019**

(54) **LED PACKAGE**

(71) Applicant: **LUMENS CO., LTD.**, Yongin-si,
Gyeonggi-do (KR)

(72) Inventors: **Seung Hyun Oh**, Yongin-si (KR); **Hyo Gu Jeon**, Yongin-si (KR); **Chi Gyun Song**, Yongin-si (KR)

(73) Assignee: **LUMENS CO., LTD.**, Yongin-si (KR)

(**) Term: **15 Years**

(21) Appl. No.: **29/653,758**

(22) Filed: **Jun. 18, 2018**

(30) **Foreign Application Priority Data**

Feb. 28, 2018 (KR) 30-2018-000911

(51) **LOC (12) Cl.** **13-03**

(52) **U.S. Cl.**
USPC **D13/180**

(58) **Field of Classification Search**
USPC D13/180; D26/1
CPC ... H01L 25/167; H01L 25/0753; H01L 27/15;
H01L 27/156; H01L 31/02; H01L 33/00;
H01L 33/04; H01L 33/08; H01L 33/10;
H01L 33/20; H01L 33/38; H01L 33/42;
H01L 33/48; H01L 33/483; H01L 33/486
See application file for complete search history.

(56) **References Cited**

U.S. PATENT DOCUMENTS

D478,879 S * 8/2003 Imai D13/182
D590,354 S * 4/2009 Tsuchiya D13/180

D601,977 S * 10/2009 Tsuchiya D13/180
D647,068 S * 10/2011 Okuwaki D13/180
D647,865 S * 11/2011 Miyashita D13/180
D662,903 S * 7/2012 Kobayakawa D13/180
D664,106 S * 7/2012 Kobayakawa D13/180
D669,042 S * 10/2012 Kanemaru D13/180
D669,043 S * 10/2012 Kamijo D13/180
D724,549 S * 3/2015 Song D13/180
2006/0284207 A1 * 12/2006 Park H01L 33/60
257/99

* cited by examiner

Primary Examiner — Selina Sikder

(74) *Attorney, Agent, or Firm* — Mei & Mark LLP

(57) **CLAIM**

We claim the ornamental design for a LED package, as shown and described.

DESCRIPTION

FIG. 1 is a perspective view of the LED package showing our new design;
FIG. 2 is a front view of the LED package shown in FIG. 1.
FIG. 3 is a back view of the LED package shown in FIG. 1.
FIG. 4 is a left view of the LED package shown in FIG. 1.
FIG. 5 is a right view of the LED package shown in FIG. 1.
FIG. 6 is a top view of the LED package shown in FIG. 1.
FIG. 7 is a bottom view of the LED package shown in FIG. 1; and,
FIG. 8 is another perspective view thereof.

1 Claim, 8 Drawing Sheets

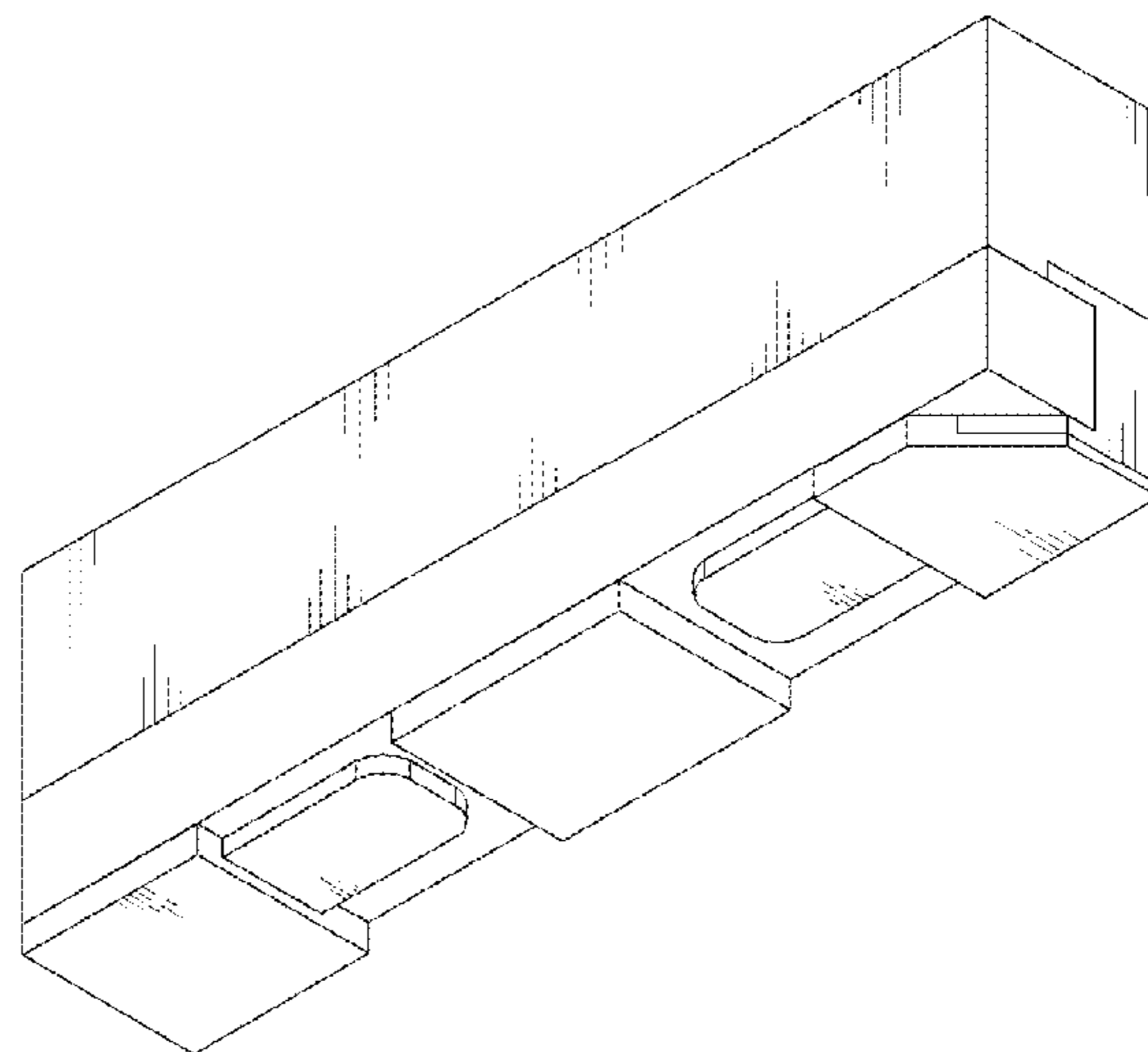
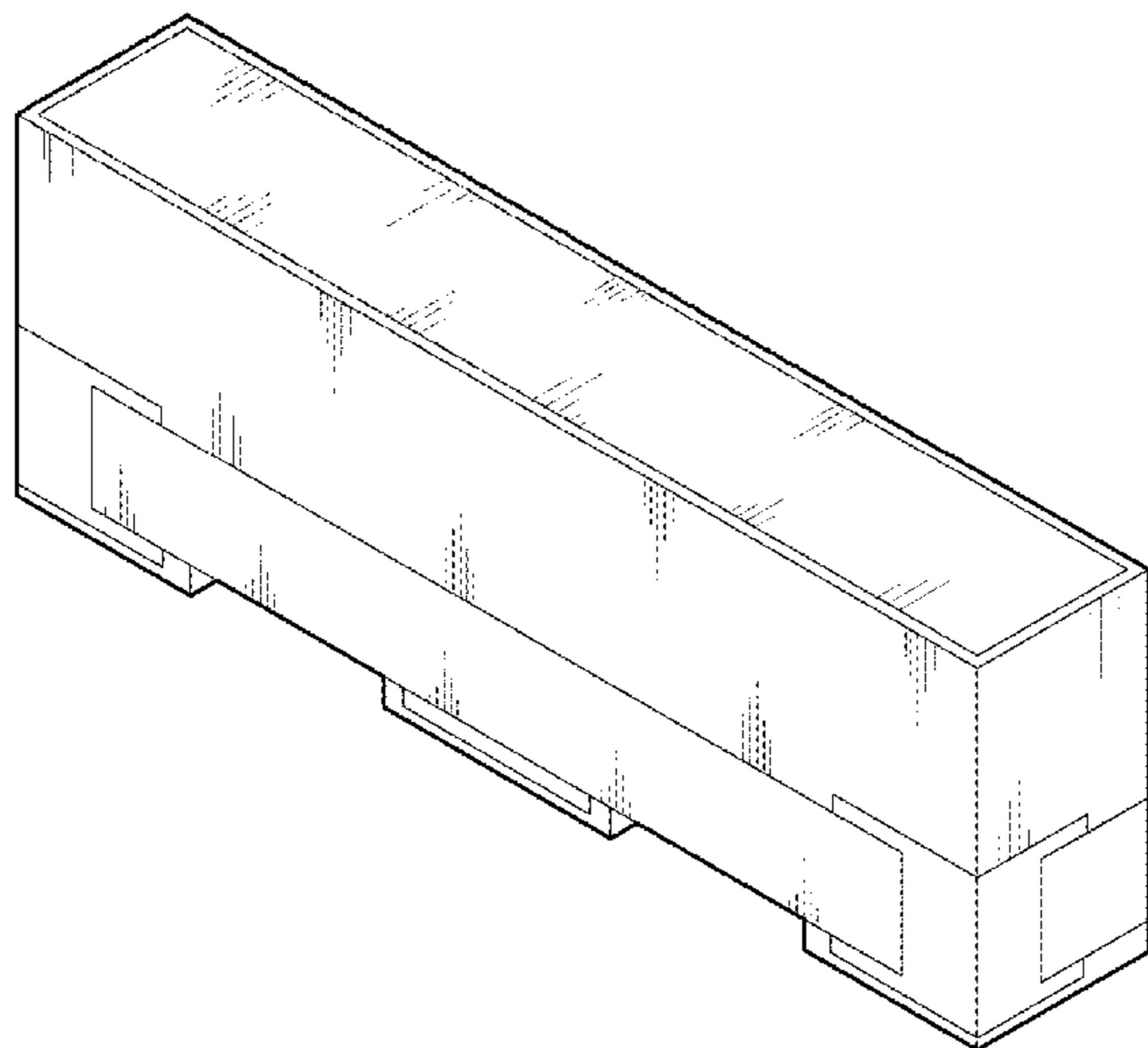


FIG. 1

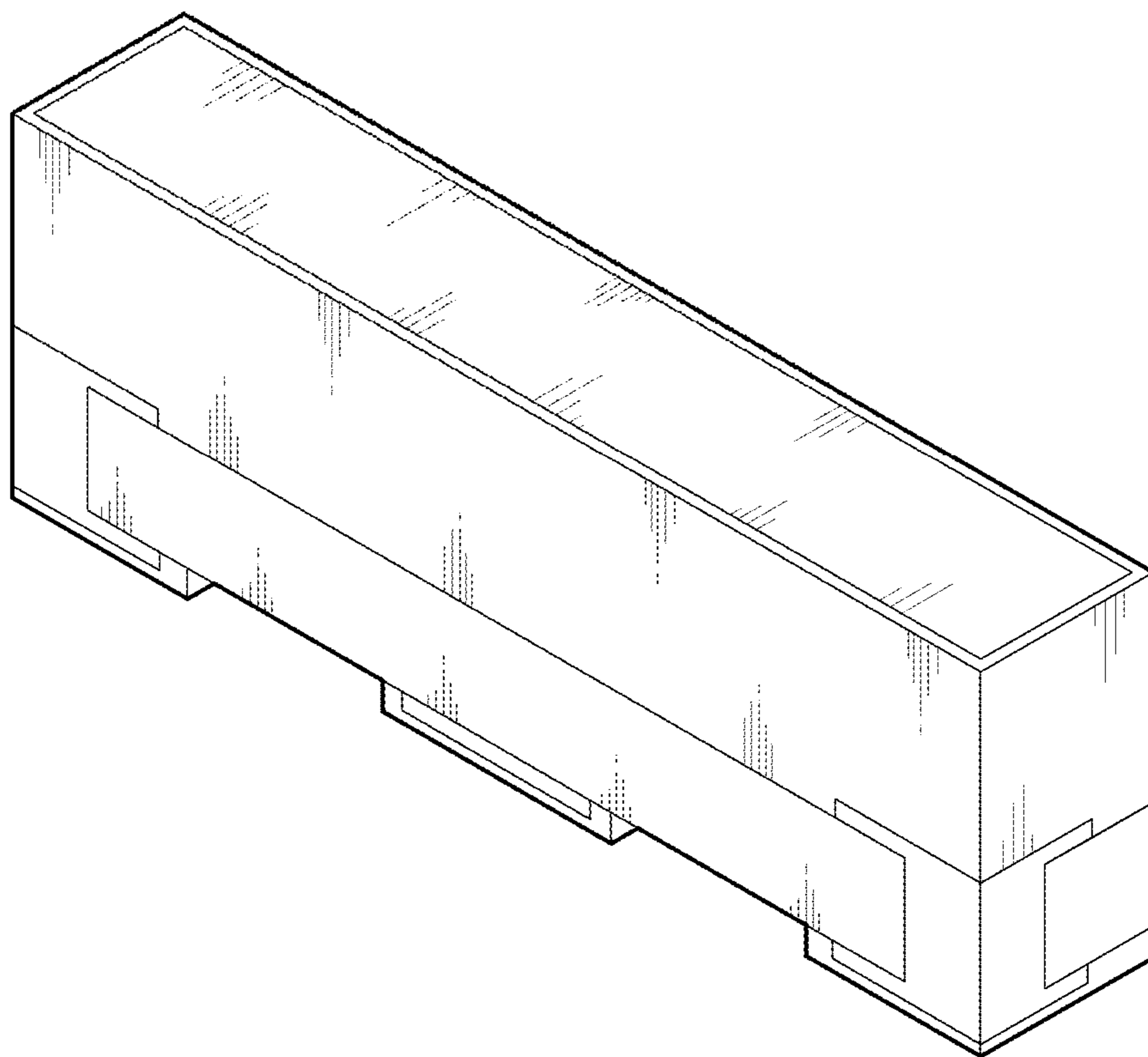


FIG. 2

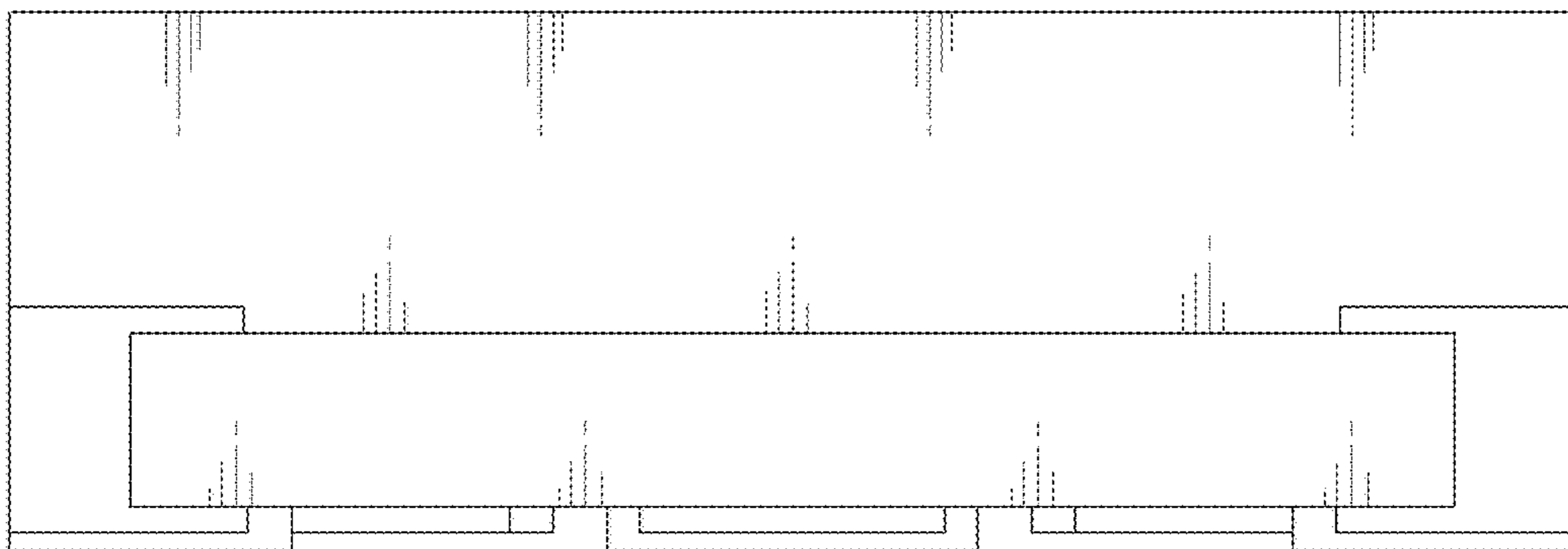


FIG. 3

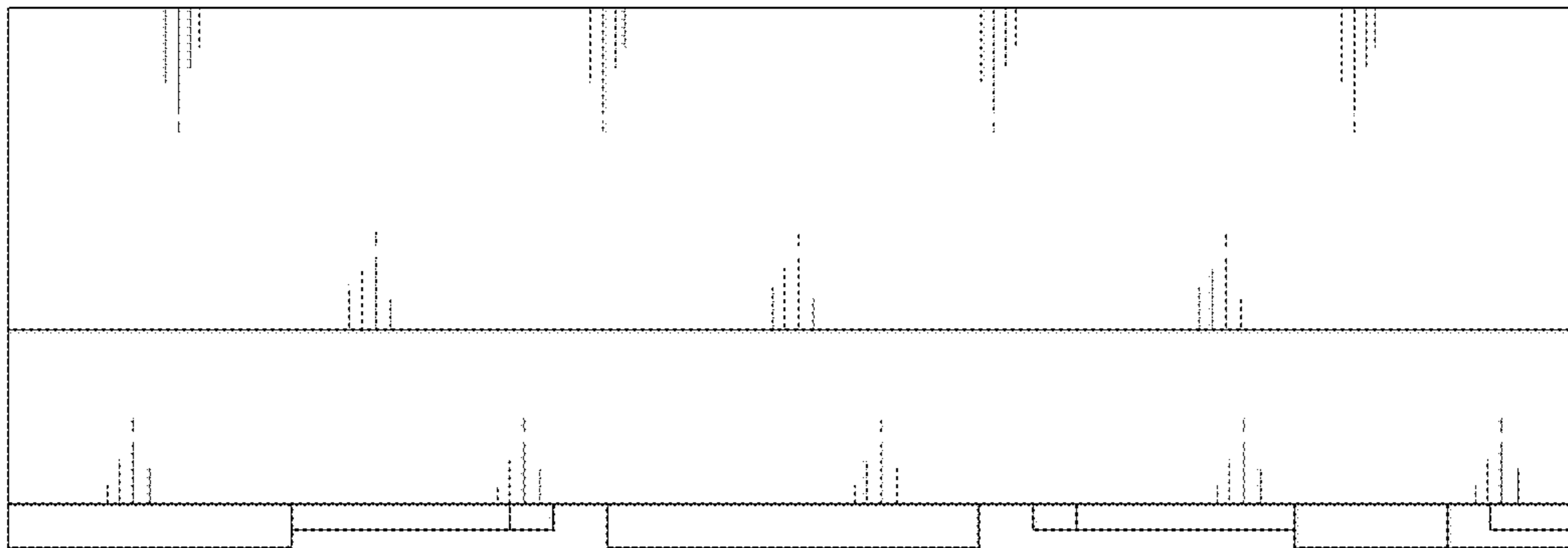


FIG. 4

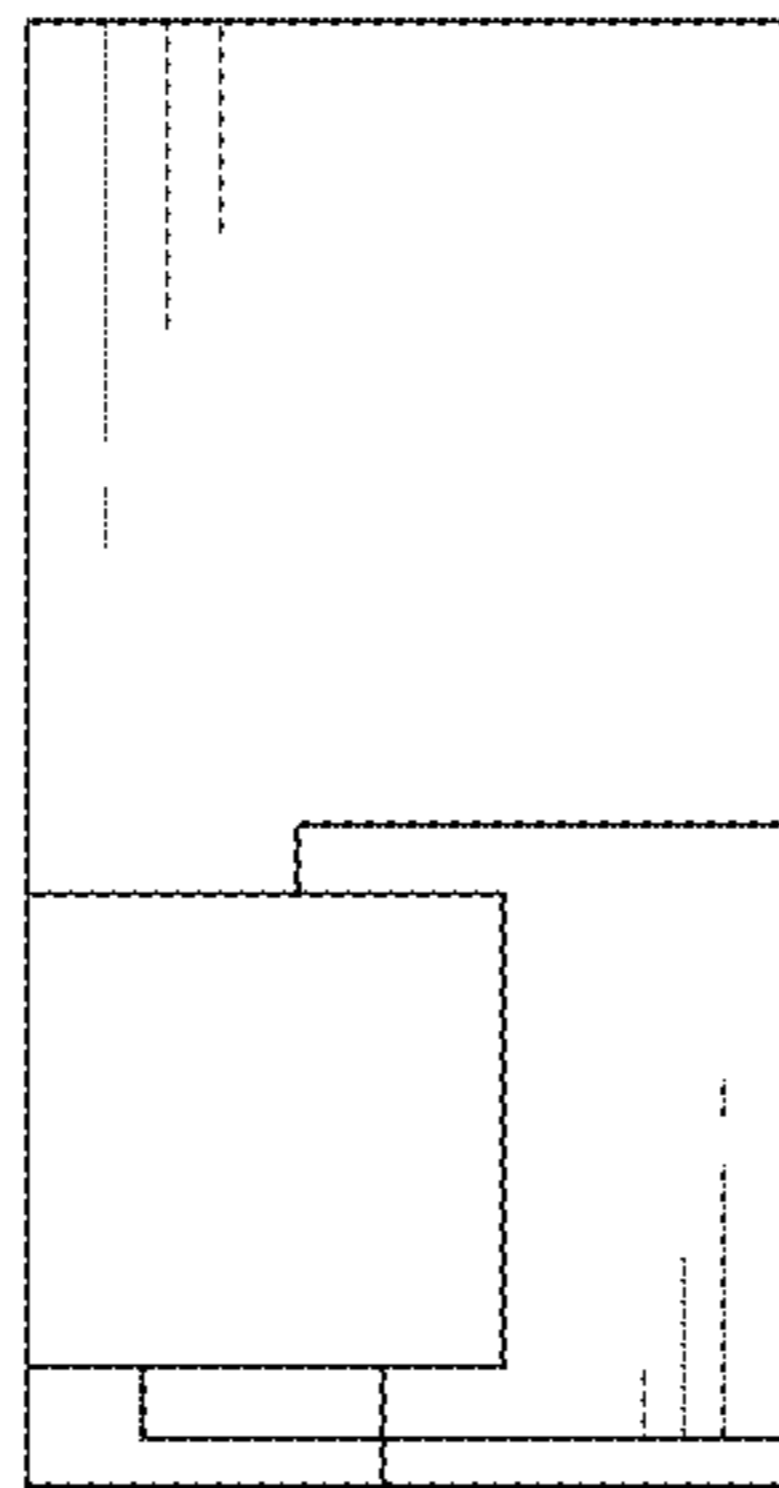


FIG. 5

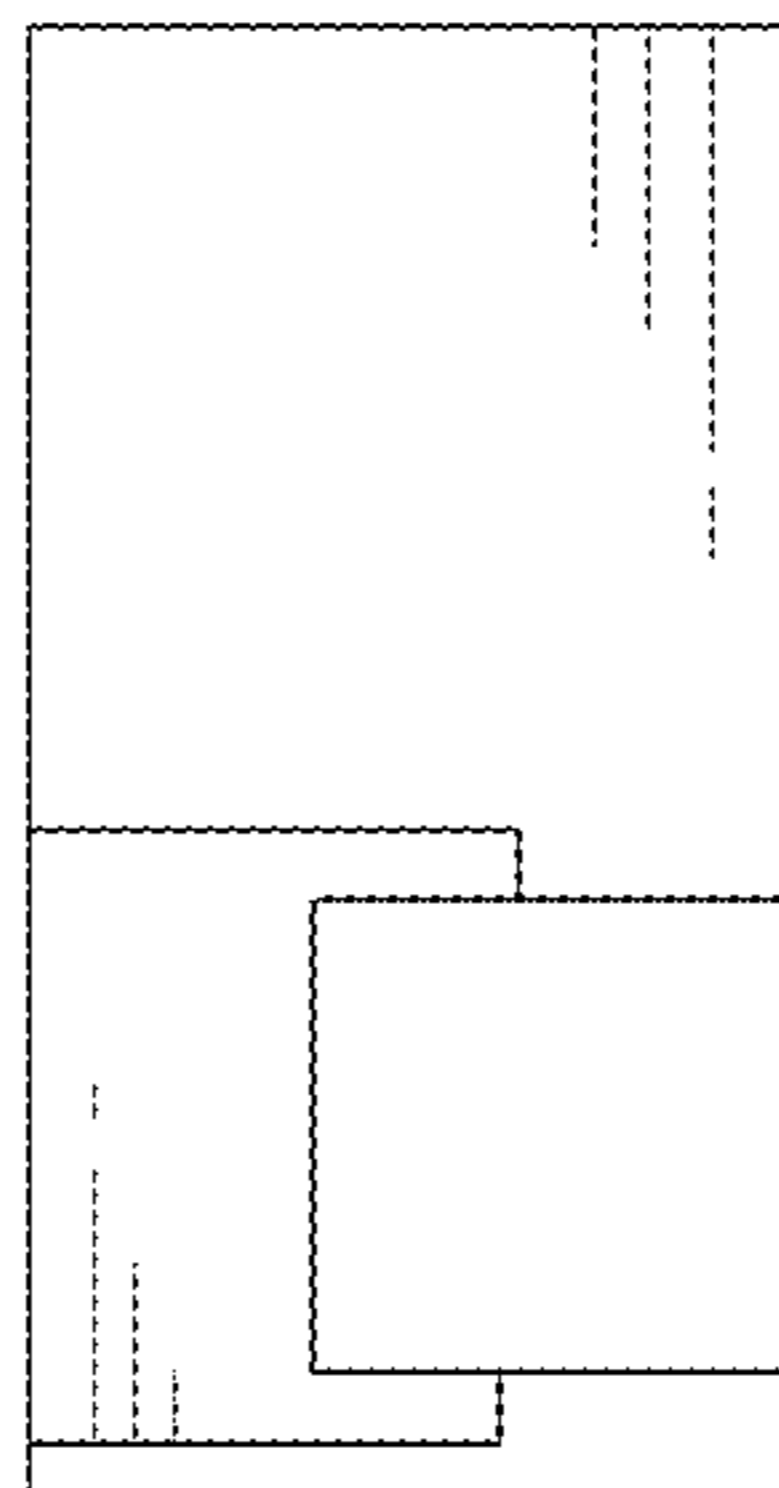


FIG. 6

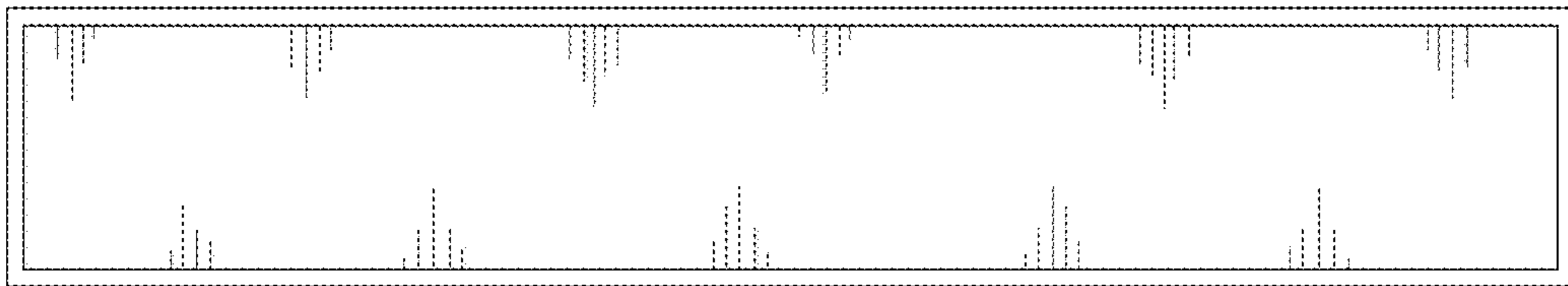


FIG. 7

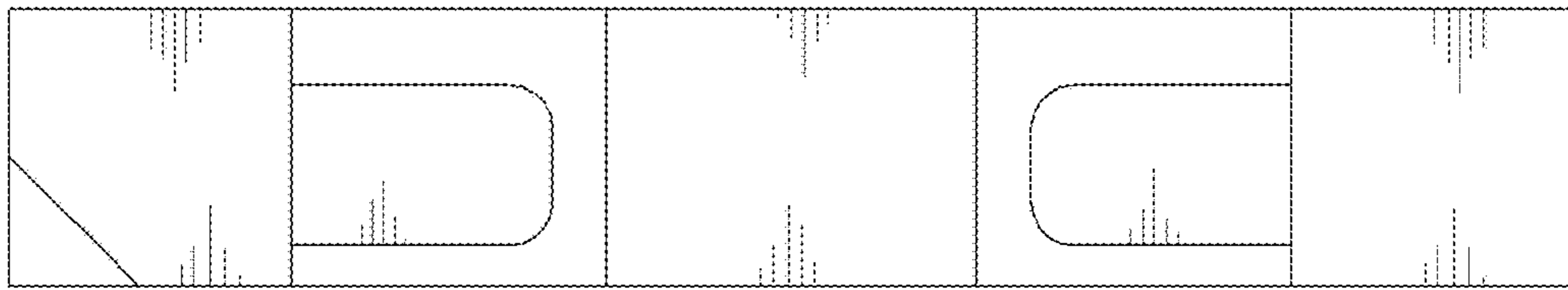


FIG. 8

