



US00D865686S

(12) **United States Design Patent**  
**Wallace et al.**

(10) **Patent No.:** **US D865,686 S**

(45) **Date of Patent:** **\*\* Nov. 5, 2019**

(54) **WINDOW COVER FOR AN ELECTRICAL  
DEVICE ENCLOSURE**

6,984,791 B1 \* 1/2006 Meyer ..... H01R 13/53  
174/167

7,144,279 B2 \* 12/2006 Zahnen ..... H01R 4/36  
439/709

(71) Applicant: **Innovative Switchgear IP, LLC,**  
Dacono, CO (US)

7,182,647 B2 \* 2/2007 Muench ..... H01R 13/53  
439/18

(Continued)

(72) Inventors: **William Chase Wallace,** Johnstown,  
CO (US); **Roger L. Schafer,** Berthoud,  
CO (US); **Robert M. Murphy,**  
Longmont, CO (US)

*Primary Examiner* — Selina Sikder

(74) *Attorney, Agent, or Firm* — Vobach IP Law, LLC

(73) Assignee: **Innovative Switchgear IP, LLC,**  
Dacono, CO (US)

(57) **CLAIM**

The ornamental design for a window cover for an electrical  
device enclosure, as shown and described.

**DESCRIPTION**

(\*\*) Term: **15 Years**

(21) Appl. No.: **29/578,359**

(22) Filed: **Sep. 21, 2016**

(51) **LOC (12) Cl.** ..... **13-03**

(52) **U.S. Cl.**  
USPC ..... **D13/177**

(58) **Field of Classification Search**  
USPC ..... D13/173, 177, 178, 199  
CPC ..... H01R 3/00; H01R 13/53; H01R 13/5213;  
H01R 13/633; H01H 33/53; H01H 33/56;  
H01H 33/662

See application file for complete search history.

FIG. 1 is a perspective view of a window cover for an  
electrical device enclosure in accordance with one embodi-  
ment.

FIG. 2 is a front view of the window cover for an electrical  
device enclosure in accordance with one embodiment.

FIG. 3 is a rear view of the window cover for an electrical  
device enclosure in accordance with one embodiment.

FIG. 4 is a right side view of the window cover for an  
electrical device enclosure in accordance with one embodi-  
ment.

FIG. 5 is a left side view of the window cover for an  
electrical device enclosure in accordance with one embodi-  
ment.

FIG. 6 is a top view of the window cover for an electrical  
device enclosure in accordance with one embodiment.

FIG. 7 is a bottom view of the window cover for an electrical  
device enclosure in accordance with one embodiment; and,  
FIG. 8 is a perspective view of the bottom of the window  
cover for an electrical device enclosure in accordance with  
one embodiment.

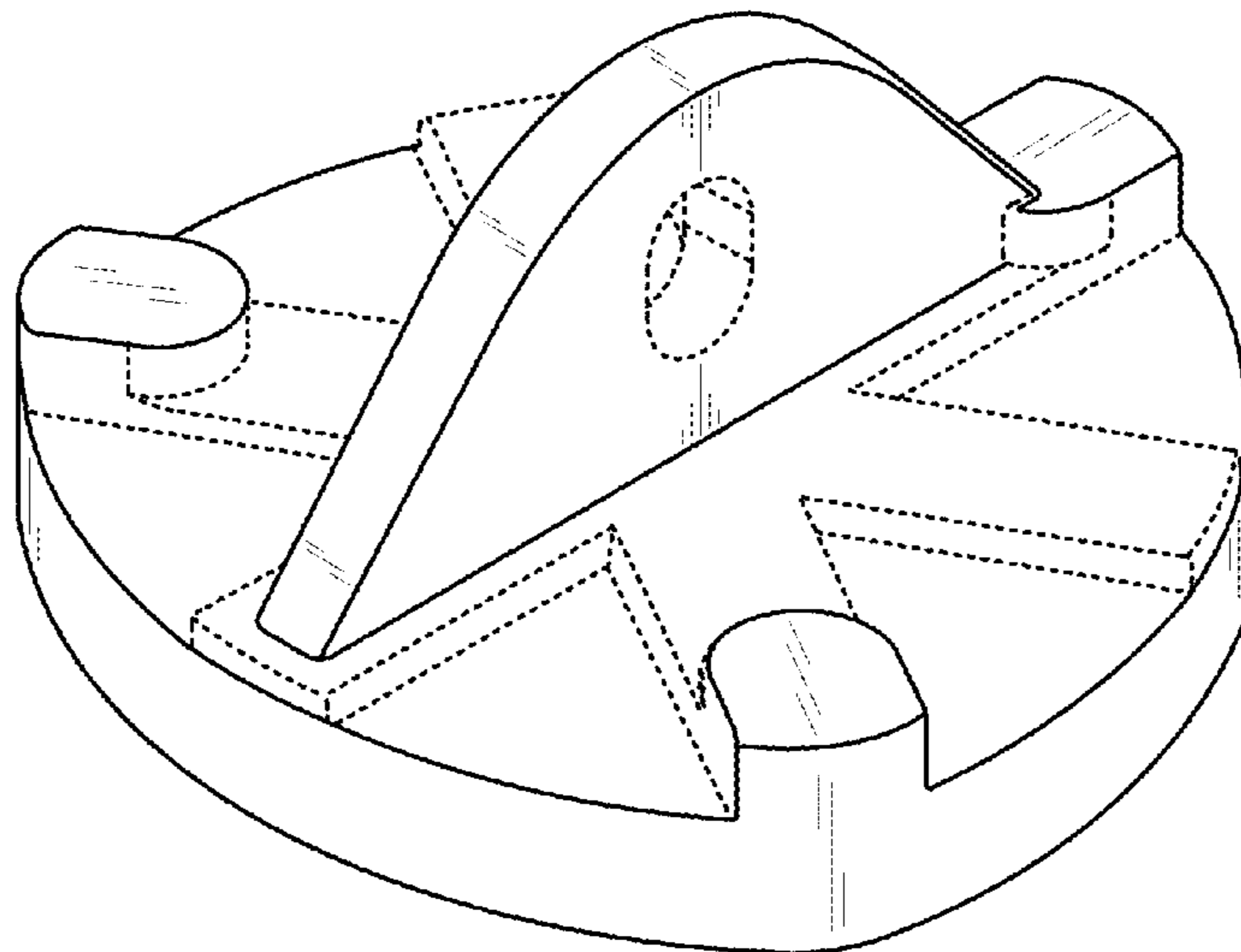
The broken linear lines in the drawing illustrate portions of  
the window cover for an electrical device enclosure and  
form no part of the claimed design. The broken lines are  
directed to environment and are for illustrative purposes.

(56) **References Cited**

U.S. PATENT DOCUMENTS

D227,974 S *	7/1973	Brown	.....	D8/352
D282,161 S *	1/1986	Barrows, II	.....	D13/158
D284,853 S *	7/1986	Djurinec	.....	D13/161
4,910,367 A *	3/1990	Akers	.....	H01H 33/56 218/57
D309,251 S *	7/1990	Palmer	.....	D8/354
D346,587 S *	5/1994	Herman	.....	D13/177

**1 Claim, 8 Drawing Sheets**



(56)

**References Cited**

U.S. PATENT DOCUMENTS

7,501,598 B2 \* 3/2009 Stepniak ..... H01H 9/16  
218/120  
7,648,376 B1 \* 1/2010 Borgstrom ..... H01R 13/53  
439/181  
7,695,291 B2 \* 4/2010 Hughes ..... G01R 31/07  
439/181  
8,388,381 B2 \* 3/2013 Borgstrom ..... H01R 24/20  
439/626  
8,408,925 B2 \* 4/2013 Borgstrom ..... H01R 3/00  
439/181  
D697,875 S \* 1/2014 Kleinschmidt ..... D13/177  
D708,153 S \* 7/2014 Todd ..... D13/177  
D721,045 S \* 1/2015 Gratz ..... D13/173  
D733,068 S \* 6/2015 Johnson ..... D13/156  
9,216,527 B2 \* 12/2015 Martin ..... H01H 33/662  
D769,108 S \* 10/2016 Eberl ..... D8/354  
2007/0278188 A1 \* 12/2007 Stepniak ..... H01H 9/16  
218/118  
2011/0189887 A1 \* 8/2011 Borgstrom ..... H01R 3/00  
439/488

\* cited by examiner

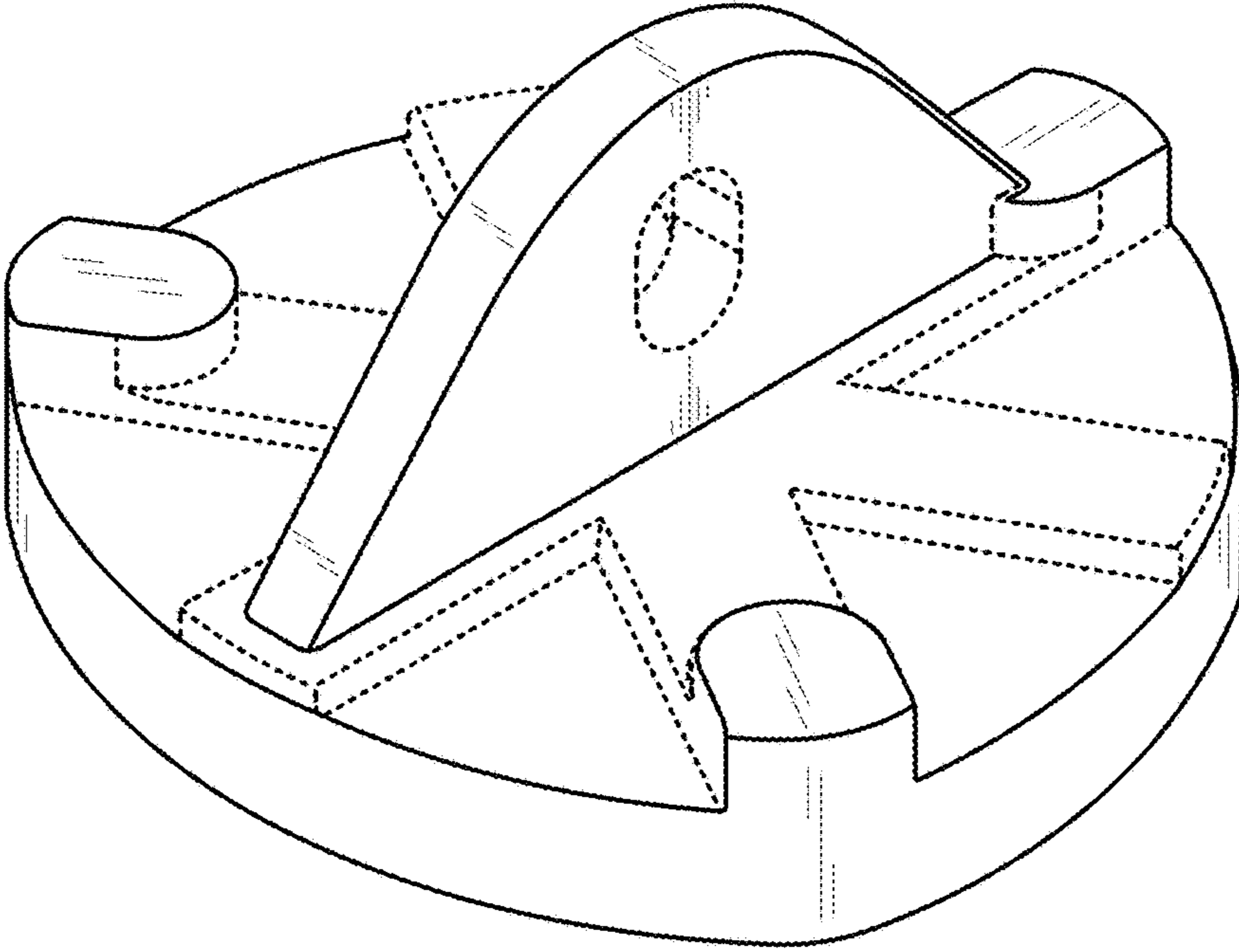


FIG. 1

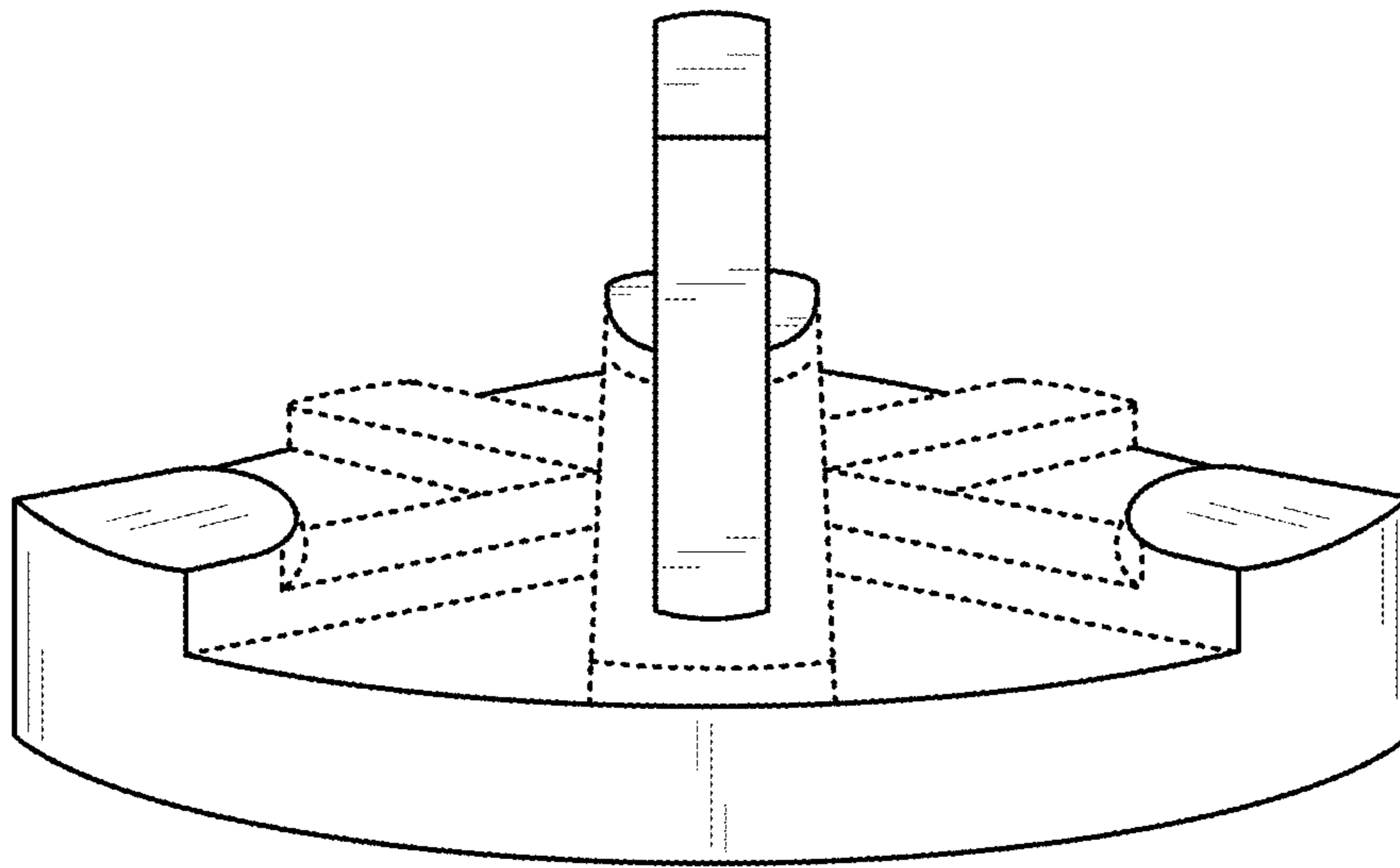


FIG. 2

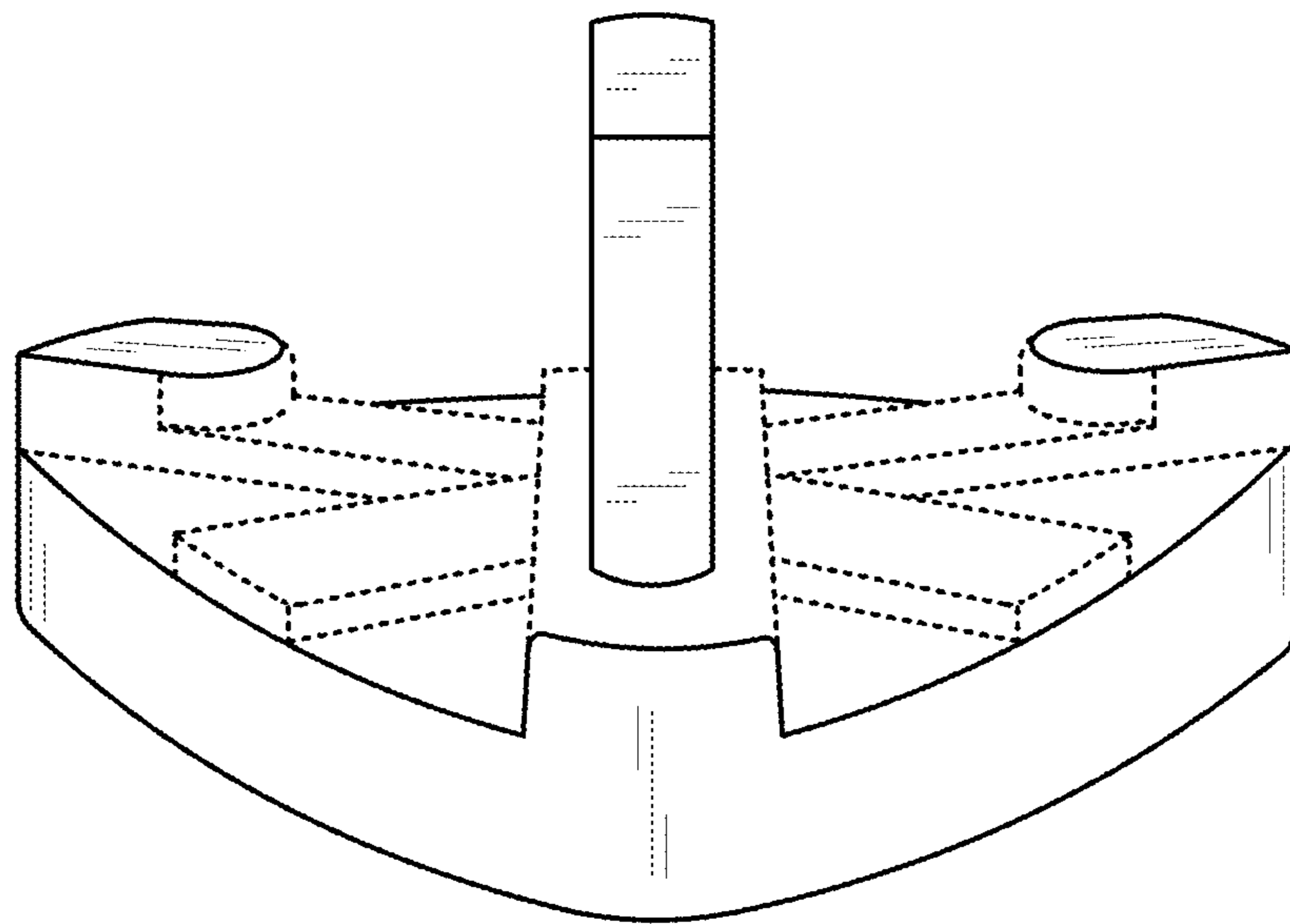


FIG. 3

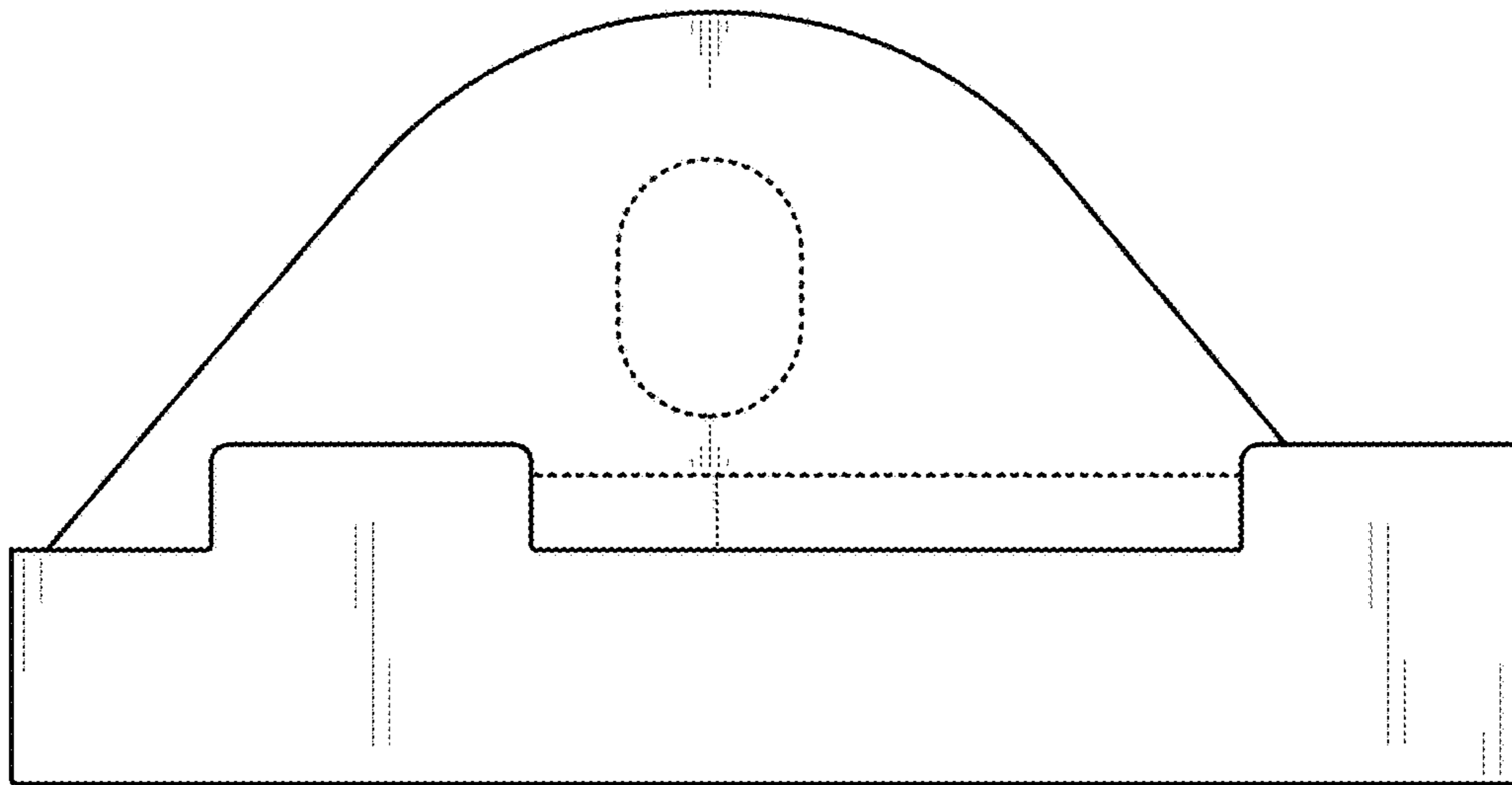


FIG. 4

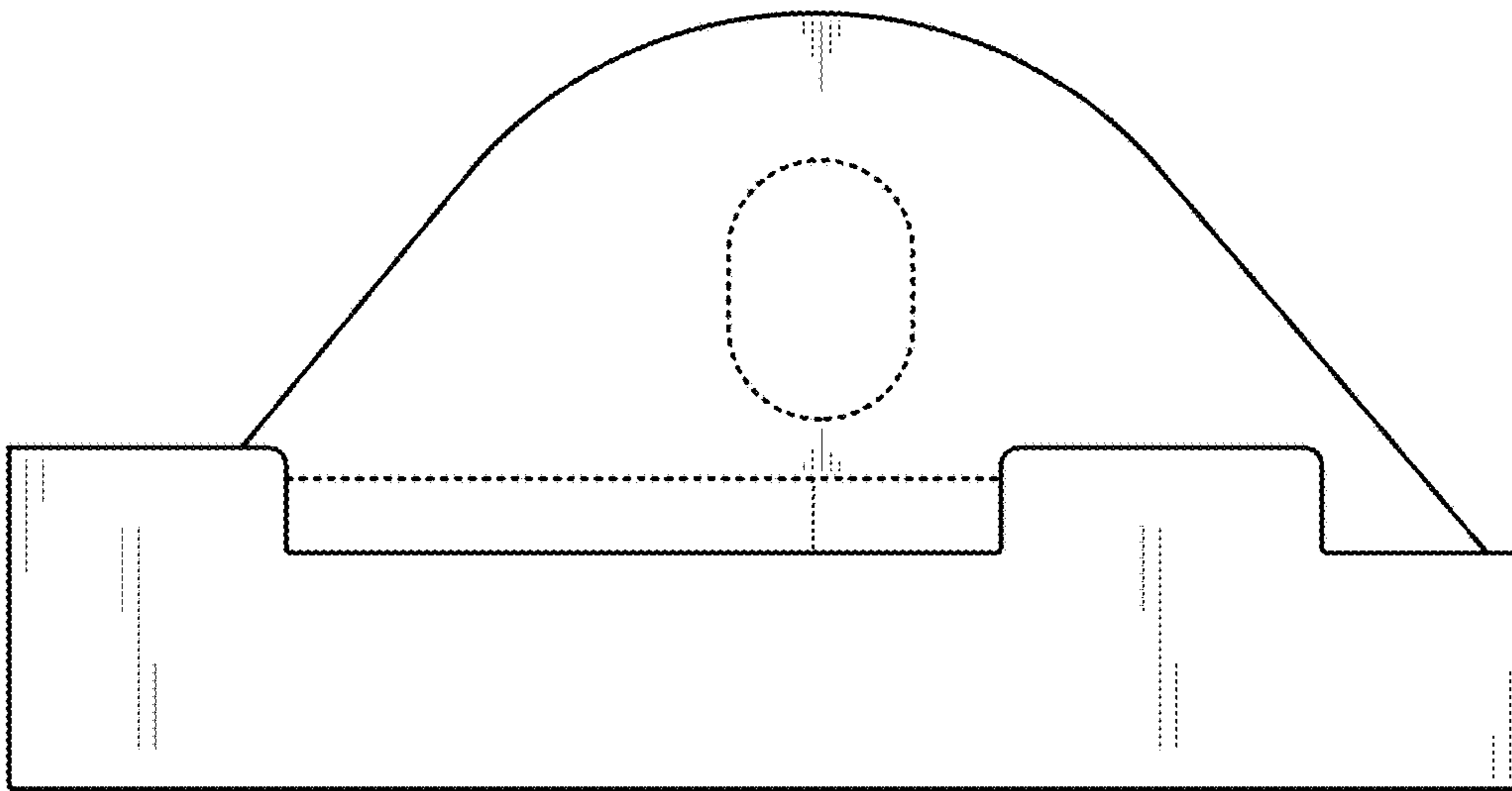


FIG. 5



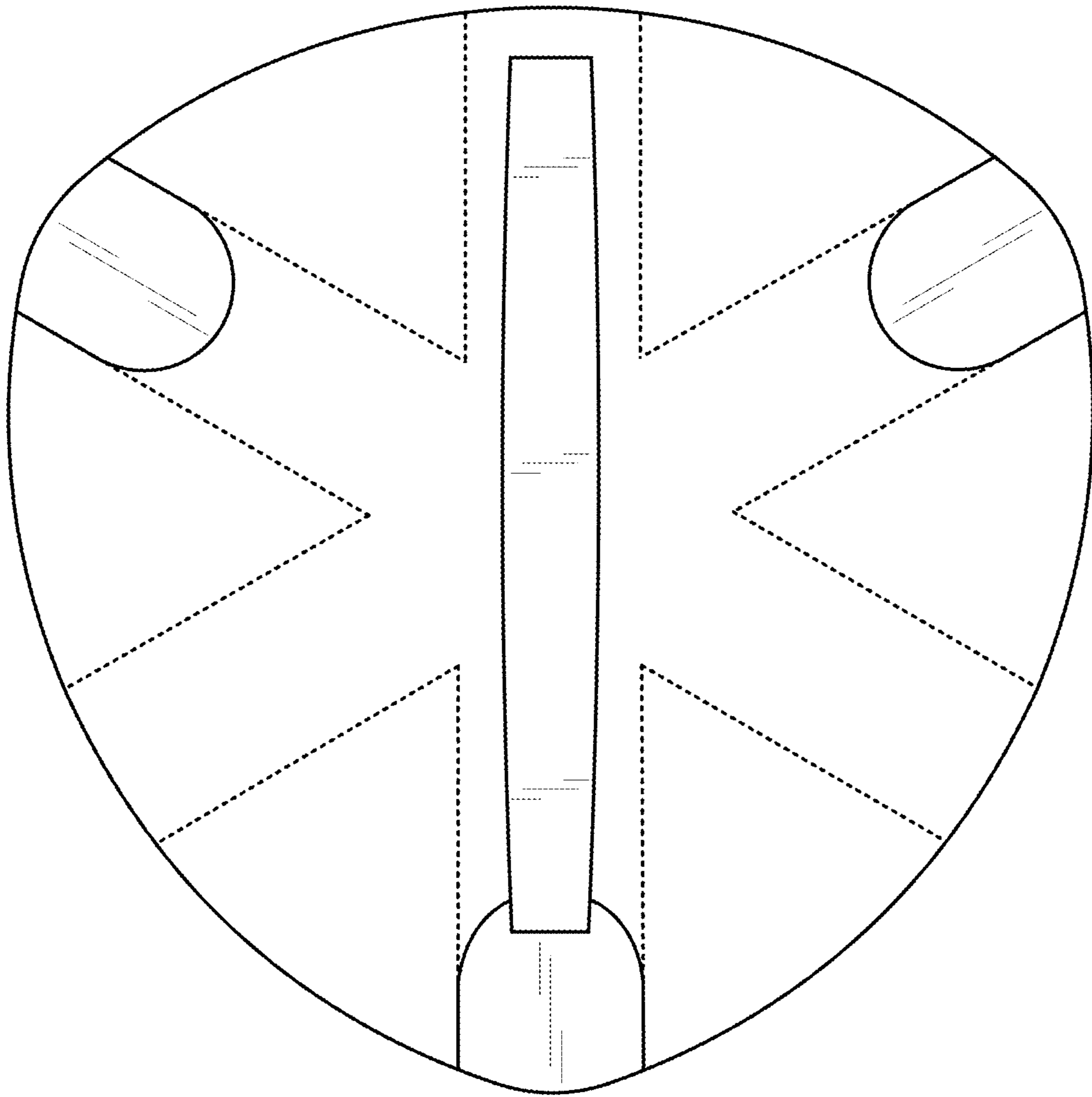


FIG. 6



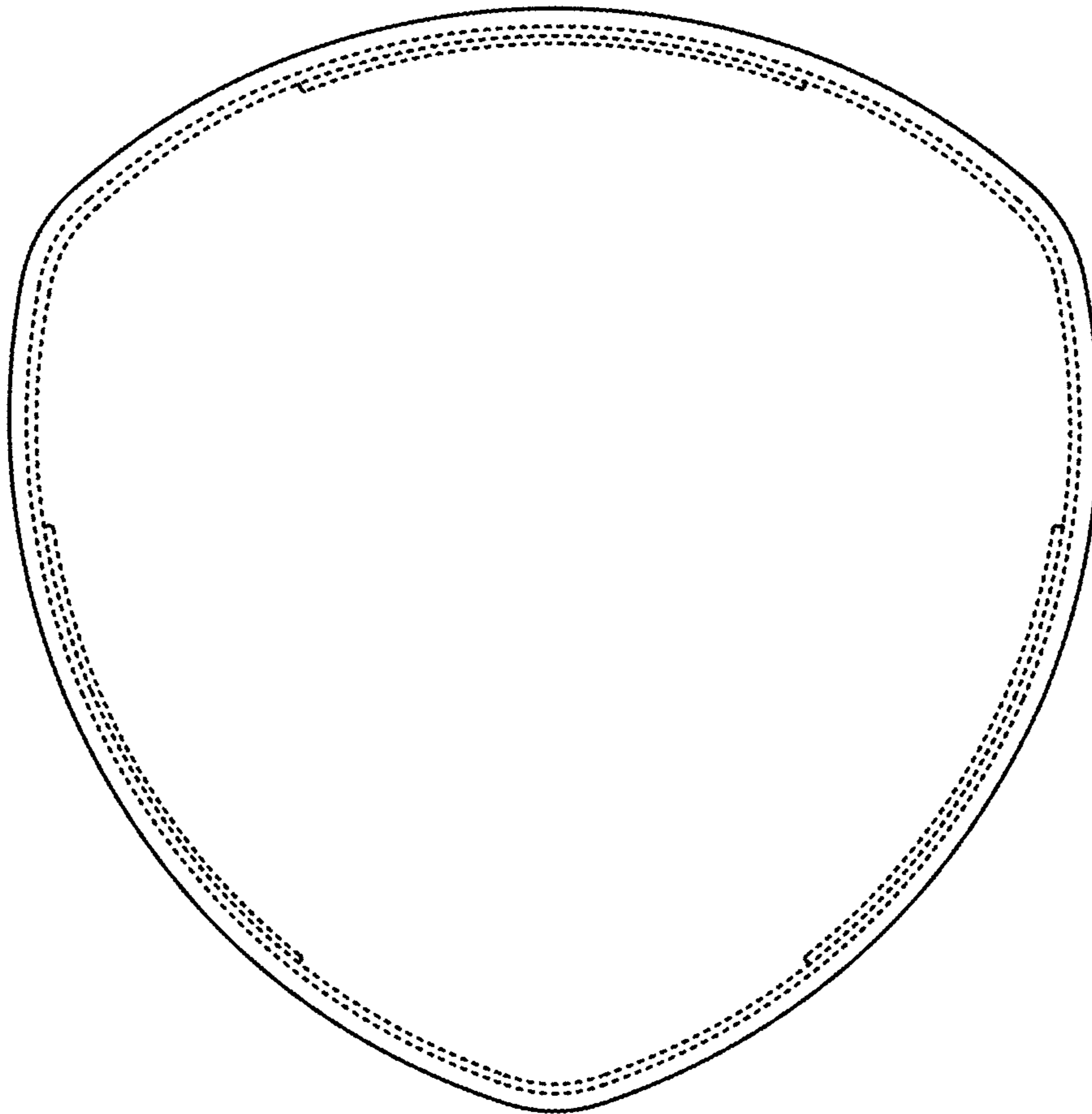


FIG. 7

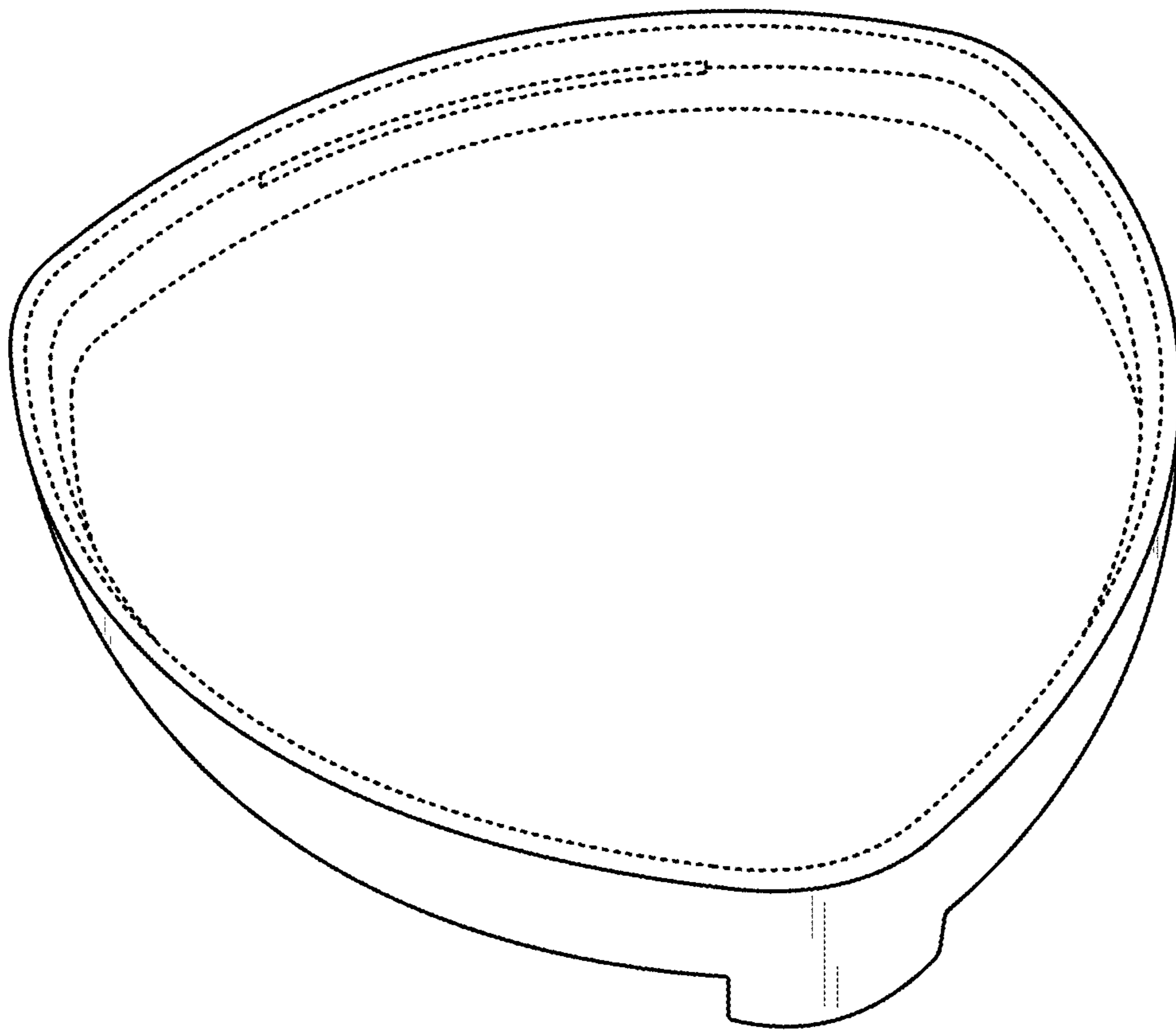


FIG. 8