



US00D865684S

(12) **United States Design Patent** (10) **Patent No.:** **US D865,684 S**  
**Gage et al.** (45) **Date of Patent:** **\*\* \*Nov. 5, 2019**

(54) **KEYPAD**

- (71) Applicant: **Lutron Technology Company LLC**,  
Coopersburg, PA (US)
- (72) Inventors: **Alexander Wade Gage**, Havertown, PA  
(US); **Elliot G. Jacoby**, Glenside, PA  
(US); **Jason C. Killo**, Emmaus, PA  
(US); **Brad Michael Kreschollek**,  
Bethlehem, PA (US); **Daniel Curtis**  
**Raneri**, Bethlehem, PA (US)
- (73) Assignee: **Lutron Technology Company LLC**,  
Coopersburg, PA (US)

(\*) Notice: This patent is subject to a terminal disclaimer.

(\*\*) Term: **15 Years**

(21) Appl. No.: **29/646,341**

(22) Filed: **May 3, 2018**

**Related U.S. Application Data**

(63) Continuation of application No. 29/590,841, filed on Jan. 13, 2017, now Pat. No. Des. 821,336, which is a continuation of application No. 29/536,810, filed on Aug. 19, 2015, now Pat. No. Des. 780,702.

(51) **LOC (12) Cl.** ..... **13-03**

(52) **U.S. Cl.**  
USPC ..... **D13/171**

(58) **Field of Classification Search**  
USPC ..... D13/162, 164, 171, 174  
CPC .... G08C 17/02; H05B 33/0845; H05B 37/02;  
H05B 37/0272; H05B 39/02; H05B  
39/04; H05B 39/041; H05B 39/08; H05B  
39/085

See application file for complete search history.

(56) **References Cited**

U.S. PATENT DOCUMENTS

D309,268 S	7/1990	Wada et al.
D310,340 S	9/1990	Wada et al.
D364,573 S	11/1995	Pearsall
D436,930 S	1/2001	Butler et al.
D453,742 S	2/2002	Butler et al.
D465,460 S	11/2002	Mayo et al.
D563,901 S	3/2008	Mayo et al.
D566,048 S	4/2008	Mace et al.
D566,658 S	4/2008	Mayo et al.
D568,828 S	5/2008	Mayo et al.
D570,299 S	6/2008	Jacoby et al.
D572,202 S	7/2008	Jacoby et al.
D572,208 S	7/2008	Mayo et al.
D572,667 S	7/2008	Mayo et al.

(Continued)

OTHER PUBLICATIONS

Lightolier, Specification Sheet for iGen DALI 4-Button Scene Controller Model No. DA-WS4SS-7, 2007, 2 pages.

(Continued)

*Primary Examiner* — Selina Sikder

(74) *Attorney, Agent, or Firm* — Saidman DesignLaw Group, LLC

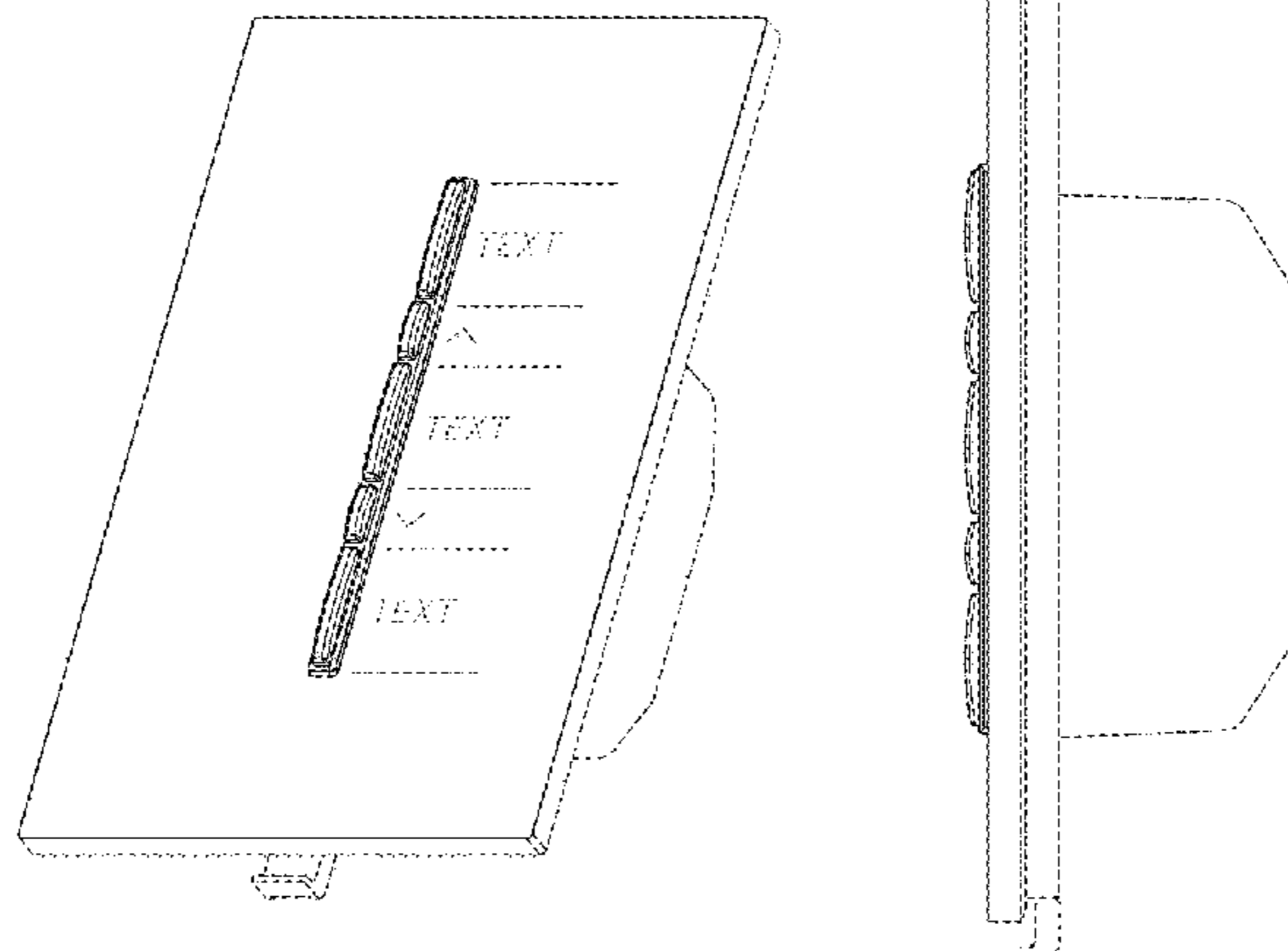
(57) **CLAIM**

The ornamental design for a keypad, as shown and described.

**DESCRIPTION**

FIG. 1 is a front perspective view of a keypad showing our new design;  
FIG. 2 is a front view thereof;  
FIG. 3 is a left side view thereof;  
FIG. 4 is a right side view thereof;  
FIG. 5 is a top view thereof; and,  
FIG. 6 is a bottom view thereof.  
The dashed broken lines represent structure or features which form no part of the claimed design; the broken lines themselves form no part of the claimed design.

**1 Claim, 4 Drawing Sheets**



(56)

**References Cited**

U.S. PATENT DOCUMENTS

D573,956 S 7/2008 Hollner et al.  
 7,641,491 B2 1/2010 Altonen et al.  
 D624,881 S 10/2010 Altonen et al.  
 D624,882 S 10/2010 Altonen et al.  
 7,872,429 B2 1/2011 Steiner et al.  
 D678,850 S 3/2013 Wisniewski et al.  
 D705,179 S 5/2014 Wisniewski et al.  
 9,167,666 B1 10/2015 Billheimer et al.  
 9,389,769 B1 7/2016 O’Keeffe  
 D770,393 S 11/2016 Jacoby et al.  
 D775,975 S 1/2017 Jacoby et al.  
 D779,445 S 2/2017 Gage et al.  
 D780,133 S 2/2017 Gage et al.  
 D780,702 S 3/2017 Gage et al.  
 D784,272 S 4/2017 Gage et al.  
 D784,273 S 4/2017 Gage et al.  
 D784,274 S 4/2017 Gage et al.  
 D784,275 S 4/2017 Gage et al.  
 D792,859 S 7/2017 Gage et al.  
 D793,348 S 8/2017 Gage et al.  
 D793,349 S 8/2017 Gage et al.  
 D813,828 S 3/2018 Jacoby et al.

D817,284 S \* 5/2018 Gage ..... D13/174  
 D820,794 S \* 6/2018 Gage ..... D13/171  
 D820,795 S \* 6/2018 Gage ..... D13/171  
 D820,796 S \* 6/2018 Gage ..... D13/174  
 D821,335 S \* 6/2018 Gage ..... D13/171  
 D821,336 S \* 6/2018 Gage ..... D13/174  
 2007/0216318 A1 9/2007 Altonen et al.  
 2007/0272532 A1 11/2007 Pessina et al.  
 2007/0291010 A1 12/2007 Altonen et al.  
 2008/0258644 A1 10/2008 Altonen et al.  
 2009/0184652 A1 7/2009 Bollinger, Jr. et al.  
 2016/0035217 A1 2/2016 Camden et al.

OTHER PUBLICATIONS

INNCOM, GS-700 Family Glass Series Switches Sell Sheet, Nov. 2008, 2 pages.  
 U.S. Appl. No. 29/447,481, filed Mar. 4, 2013. (Unpublished).  
 U.S. Appl. No. No. 29/447,485, filed Mar. 4, 2013. (Unpublished).  
 U.S. Appl. No. 29/536,805, filed Aug. 19, 2015. (Unpublished).  
 U.S. Appl. No. 29/536,796, filed Aug. 19, 2015. (Unpublished).  
 U.S. Appl. No. 29/536,808, filed Aug. 19, 2015. (Unpublished).  
 U.S. Appl. No. 29/536,807, filed Aug. 19, 2015. (Unpublished).

\* cited by examiner

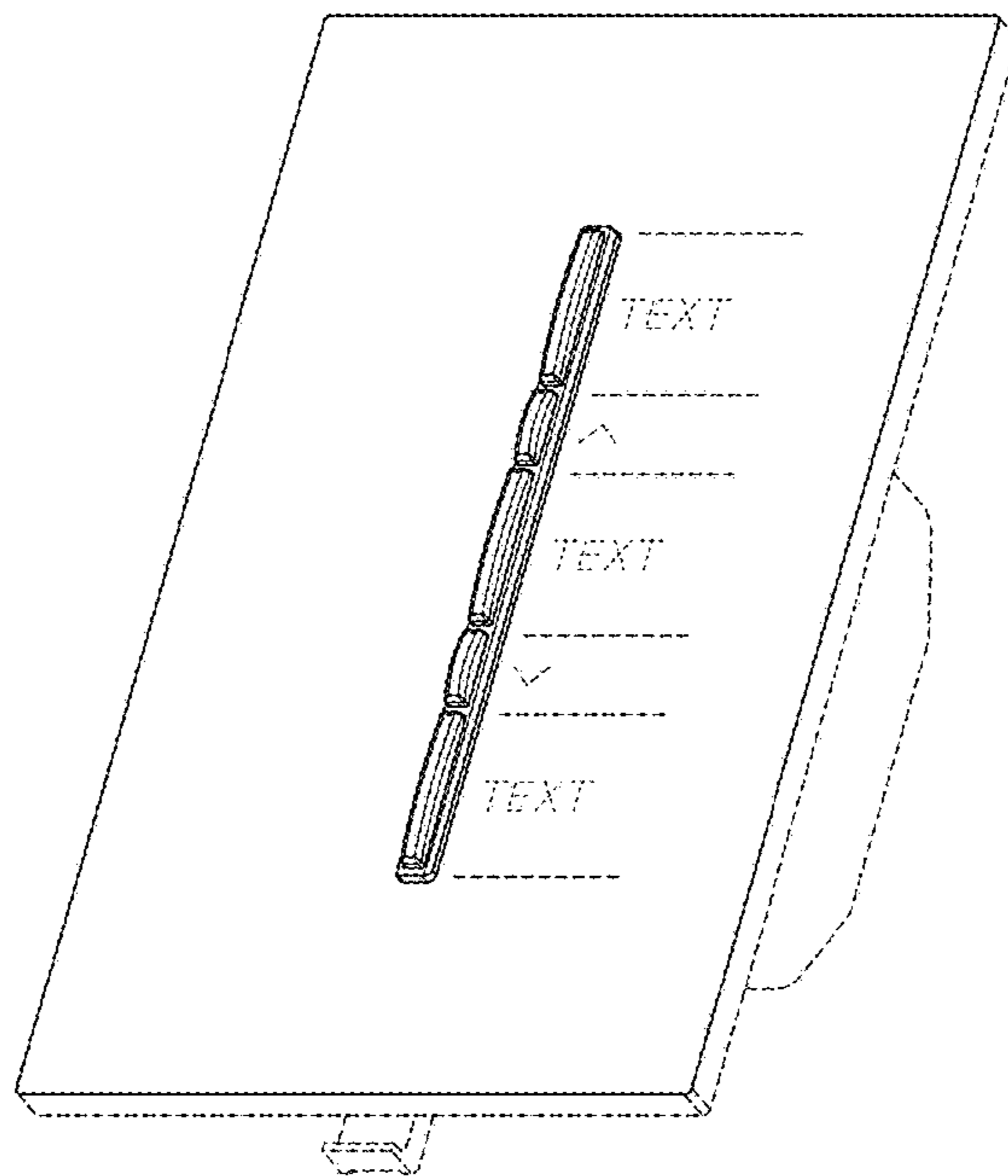


FIG. 1

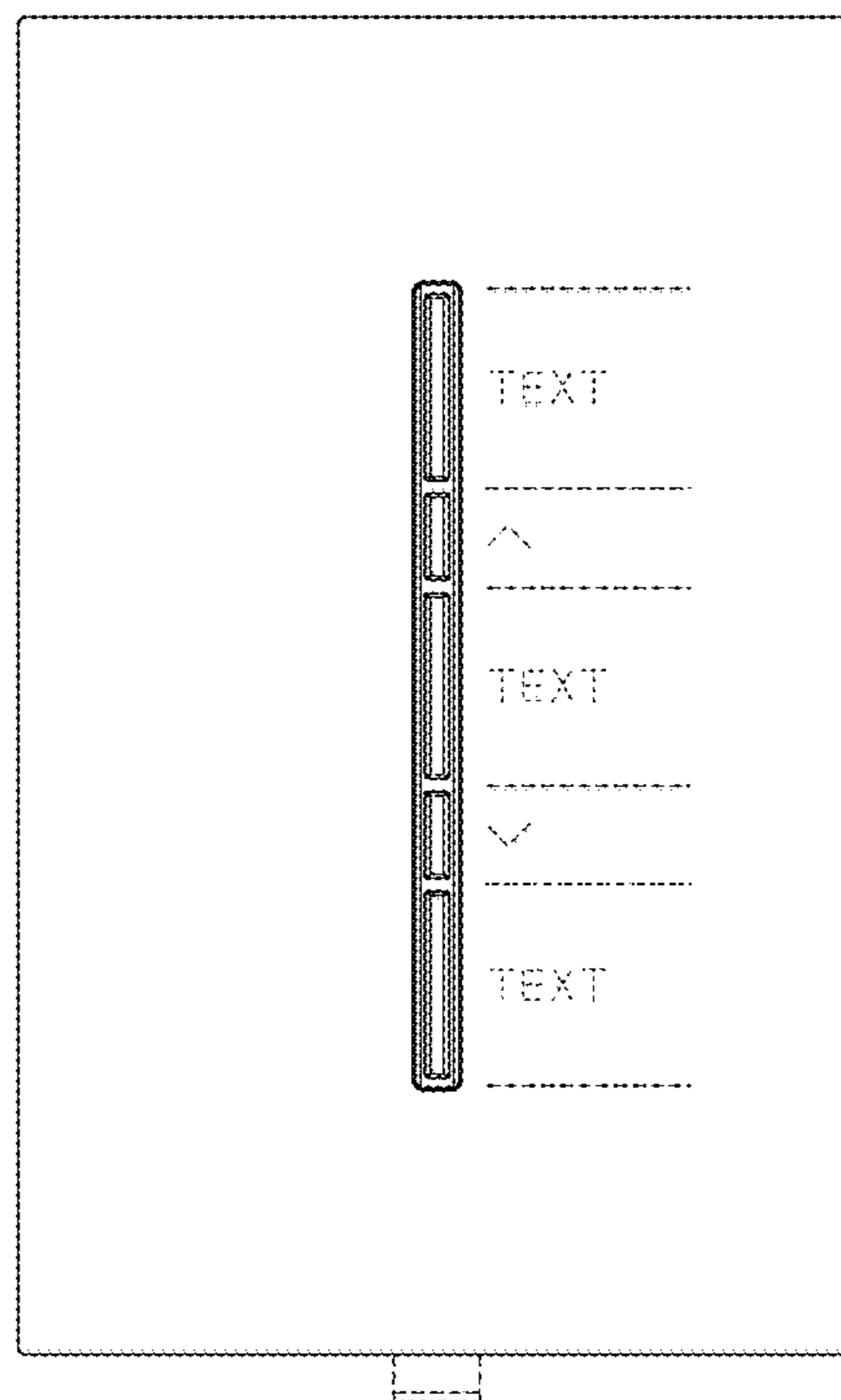


FIG. 2

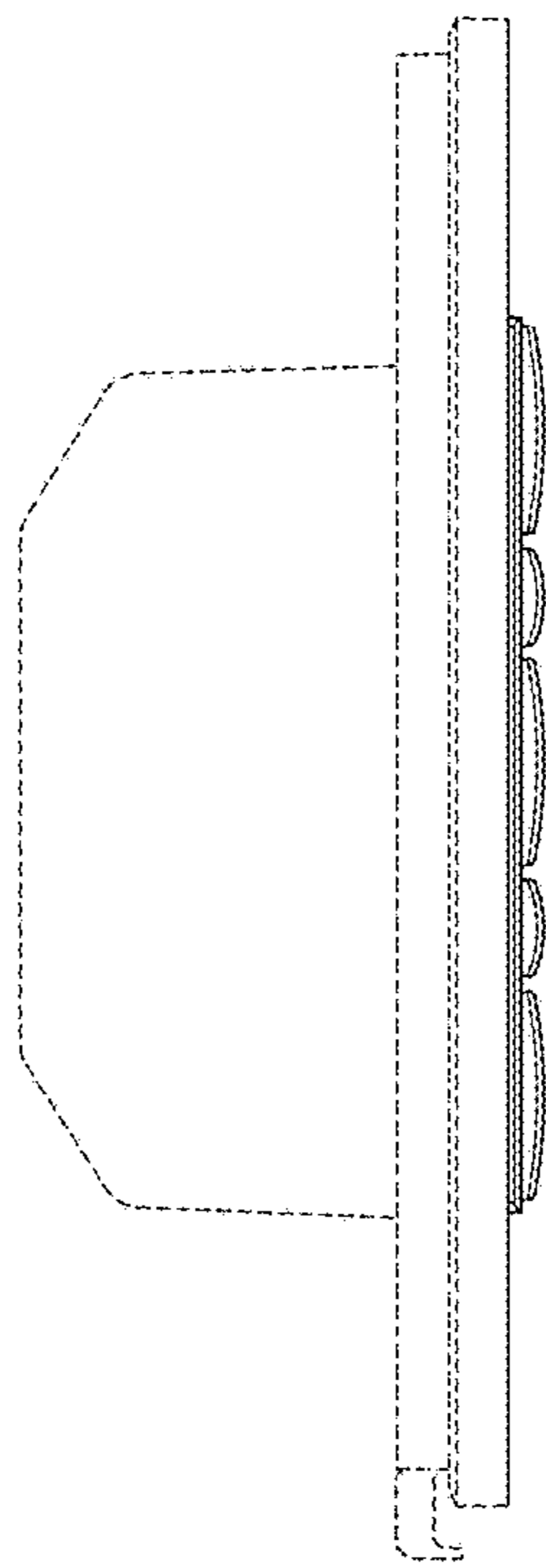


FIG. 3

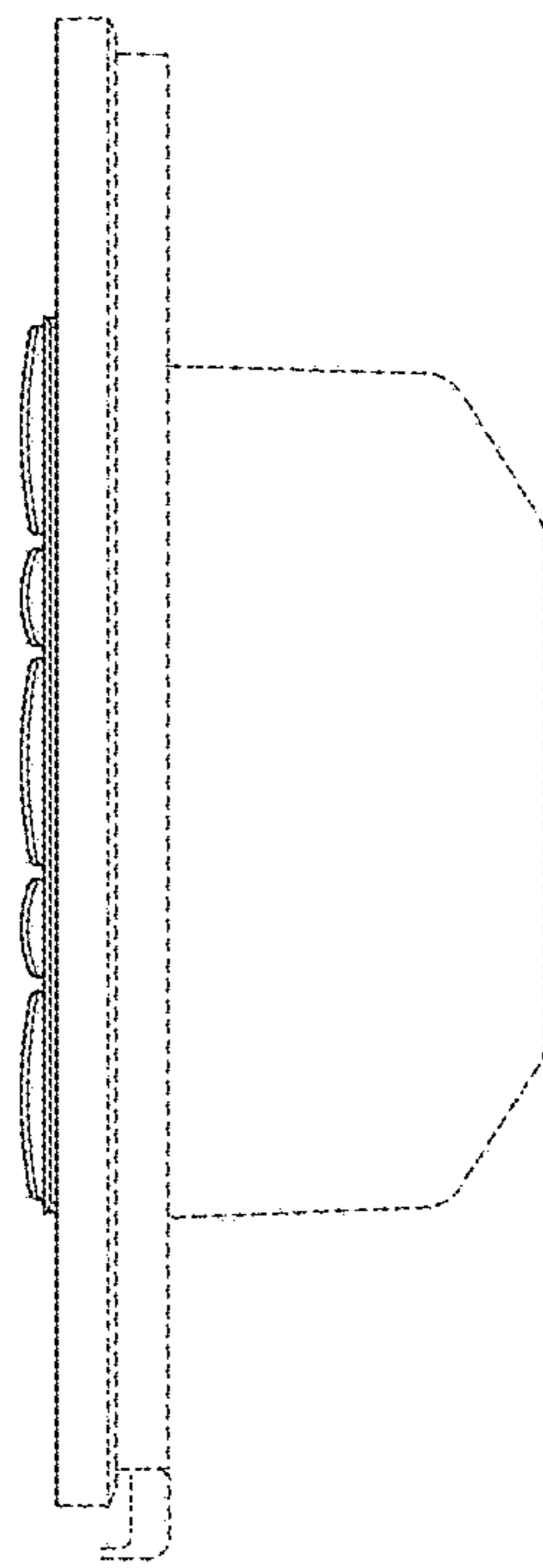


FIG. 4

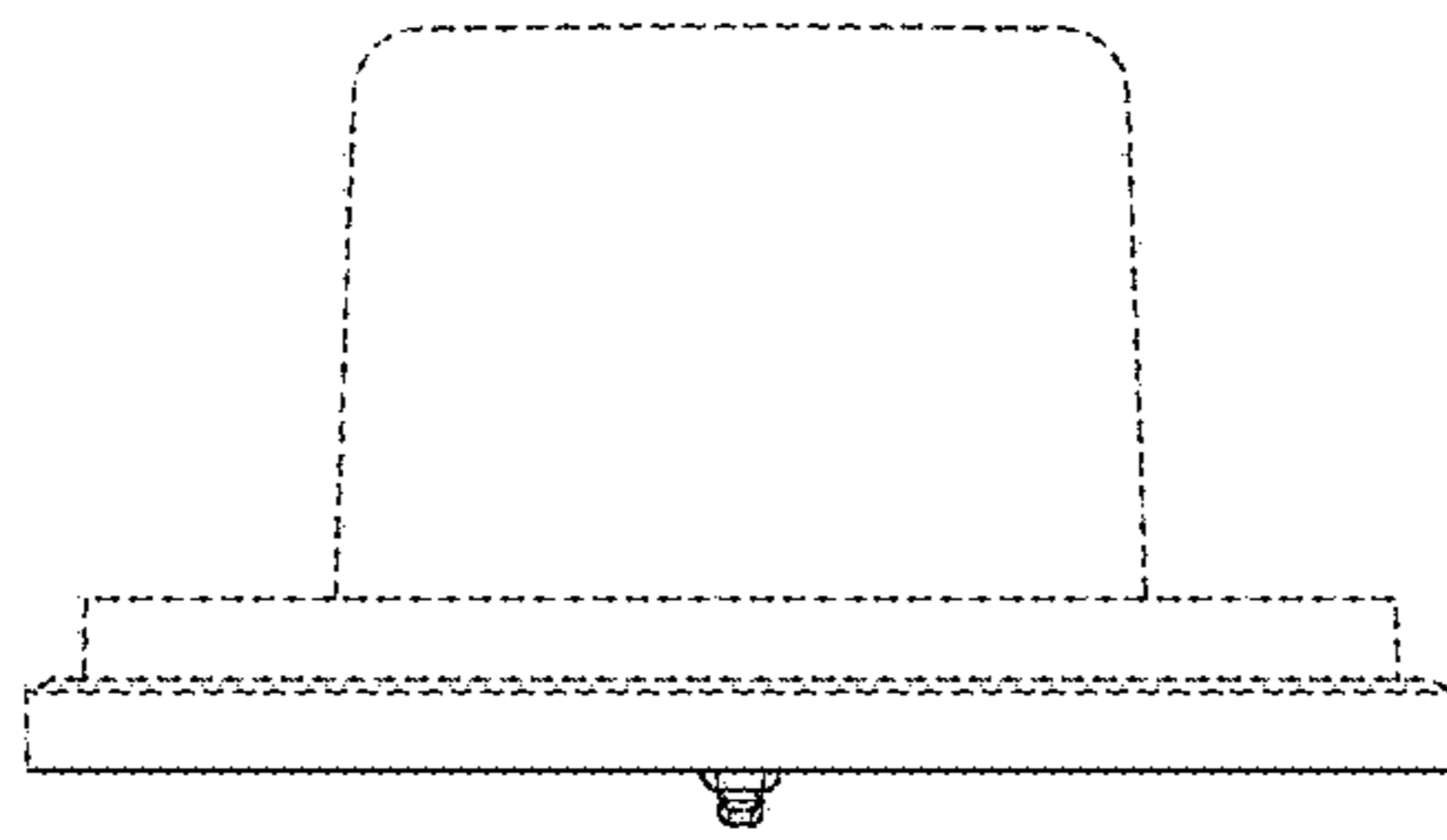


FIG. 5

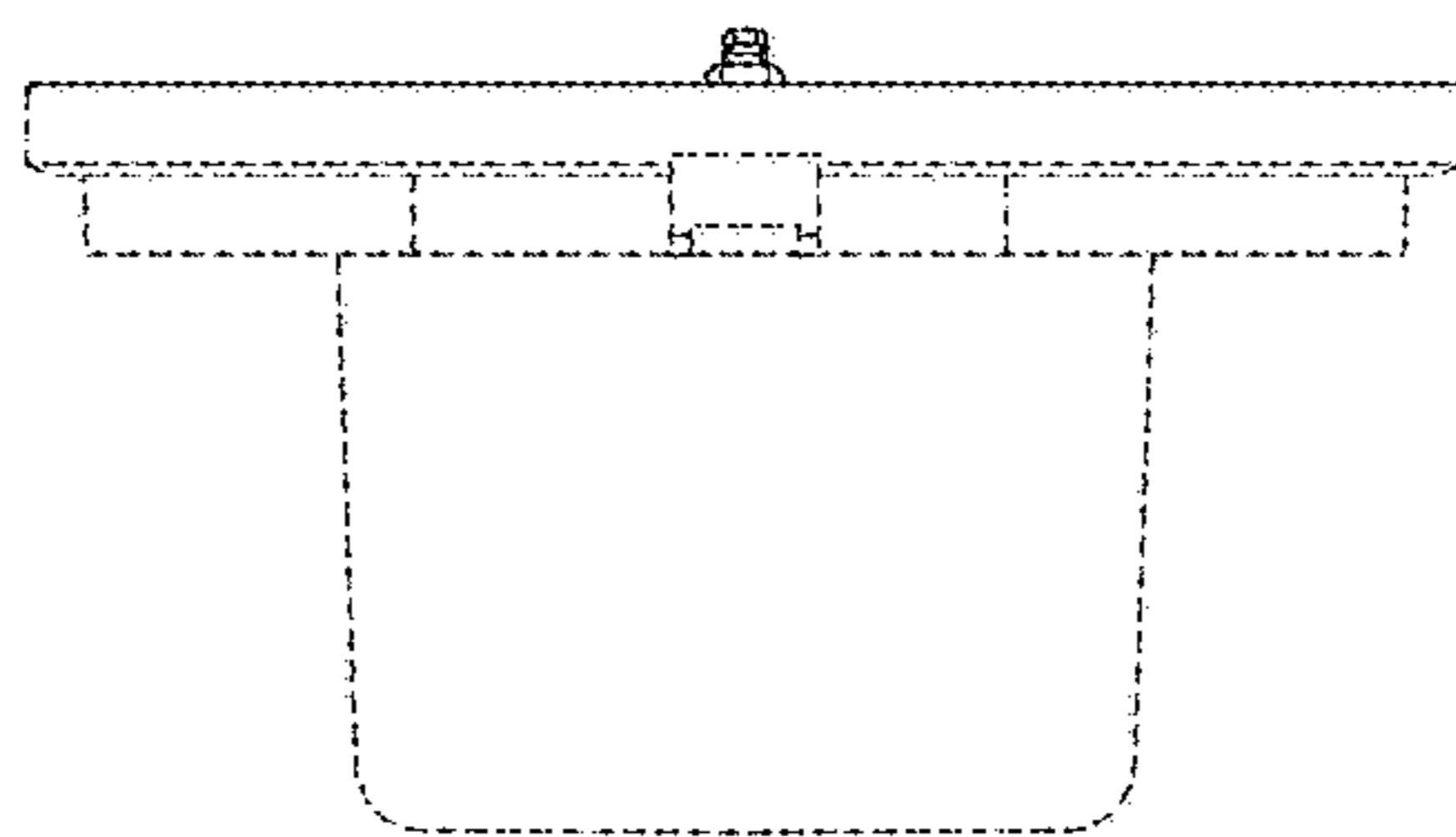


FIG. 6