



US00D865683S

(12) **United States Design Patent** (10) **Patent No.:** **US D865,683 S**  
**Lee et al.** (45) **Date of Patent:** **\*\* Nov. 5, 2019**

(54) **REMOTE CONTROLLER**

(71) Applicant: **Samsung Electronics Co., Ltd.**,  
Suwon-si (KR)  
(72) Inventors: **Giljae Lee**, Seoul (KR); **Sangmin  
Hyun**, Seoul (KR)  
(73) Assignee: **SAMSUNG ELECTRONICS CO.,  
LTD.**, Suwon-si (KR)  
(\*\*) Term: **15 Years**

(21) Appl. No.: **29/678,326**

(22) Filed: **Jan. 28, 2019**

**Related U.S. Application Data**

(63) Continuation of application No. 29/614,467, filed on  
Aug. 18, 2017, which is a continuation of application  
No. 29/593,557, filed on Feb. 9, 2017, now Pat. No.  
Des. 836,567.

(30) **Foreign Application Priority Data**

Nov. 4, 2016 (KR) ..... 30-2016-0053138

(51) **LOC (12) Cl.** ..... **14-03**

(52) **U.S. Cl.**  
USPC ..... **D13/168**

(58) **Field of Classification Search**

USPC ..... D13/168; D14/218  
CPC .... H03J 1/0025; H03J 9/00; H03J 9/02; H03J  
9/04; H03J 9/06; H01H 9/0235; H04B  
1/202; G05B 11/01; G08C 17/00; G08C  
17/02; G08C 19/28; G08C 23/04; G08C  
2201/20; G08C 2201/30; G08C 2201/33;  
G08C 2201/40; G08C 2201/91; G08C  
2201/92; H04N 5/44582; H04N 21/4221;  
H04N 21/42204

See application file for complete search history.

(56) **References Cited**

U.S. PATENT DOCUMENTS

D514,526 S 2/2006 Chen  
D531,964 S 11/2006 Peh  
D543,197 S 5/2007 Loughnane  
D549,665 S 8/2007 Chen  
D589,963 S 4/2009 Sheba et al.  
D605,179 S 12/2009 Rudolph et al.  
D621,371 S 8/2010 Sheppard  
D656,488 S 3/2012 Nakayama  
D672,336 S 12/2012 Lister  
D687,815 S \* 8/2013 Hwangho ..... D14/218  
D699,223 S 2/2014 Maier  
D700,169 S 2/2014 Peh

(Continued)

FOREIGN PATENT DOCUMENTS

EM 75534-0001 1/2003

*Primary Examiner* — Selina Sikder

(74) *Attorney, Agent, or Firm* — McAndrews Held &  
Malloy, Ltd.

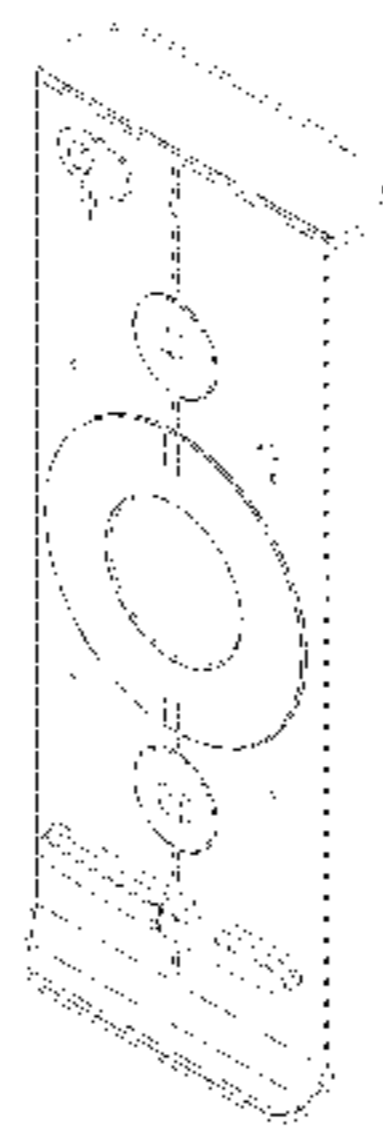
(57) **CLAIM**

The ornamental design for a remote controller, as shown and  
described.

**DESCRIPTION**

FIG. 1 is a top front perspective view of a remote controller  
showing our new design;  
FIG. 2 is a front elevation view thereof;  
FIG. 3 is a rear elevation view thereof;  
FIG. 4 is a left-side elevation view thereof;  
FIG. 5 is a right-side elevation view thereof;  
FIG. 6 is a top plan view thereof;  
FIG. 7 is a bottom plan view thereof;  
FIG. 8 is a bottom front perspective view thereof; and,  
FIG. 9 is a top rear perspective view thereof.  
The broken lines in the drawings depict portions of the  
remote controller that form no part of the claimed design.

**1 Claim, 8 Drawing Sheets**



(56)

**References Cited**

U.S. PATENT DOCUMENTS

D704,165 S	5/2014	Won	
D716,270 S	10/2014	Wang	
D724,059 S	3/2015	Kim	
D728,529 S *	5/2015	Seflic .....	D14/218
D752,555 S *	3/2016	Langhammer .....	D14/218
D756,969 S *	5/2016	Kim .....	D14/218
D778,266 S *	2/2017	Maier .....	D14/218
D796,483 S	9/2017	Einaudi	
D801,311 S *	10/2017	Akana .....	D14/218
D808,931 S *	1/2018	Maier .....	D14/218
D836,567 S *	12/2018	Lee .....	D13/168
D837,747 S *	1/2019	Lee .....	D13/168

\* cited by examiner

FIG. 1

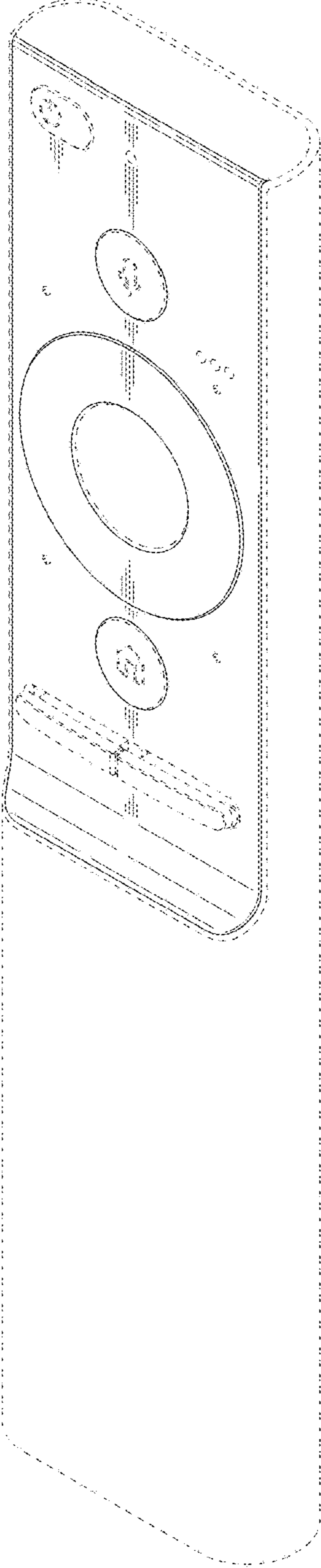


FIG. 2

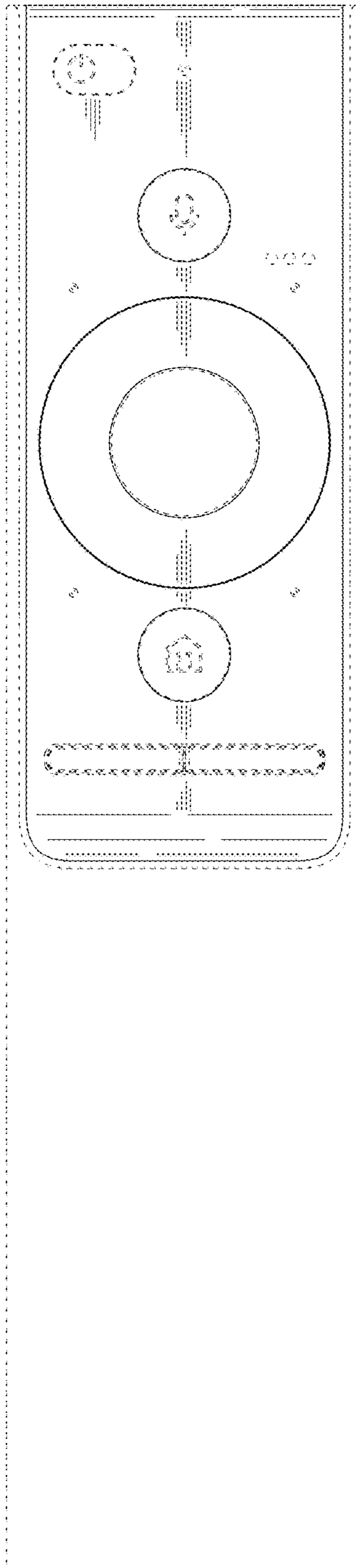


FIG. 3

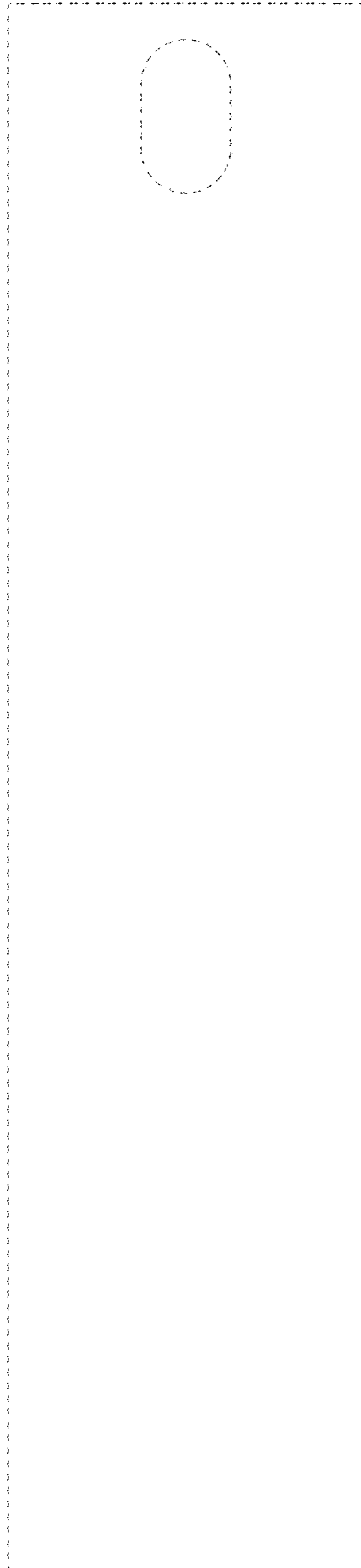


FIG. 4

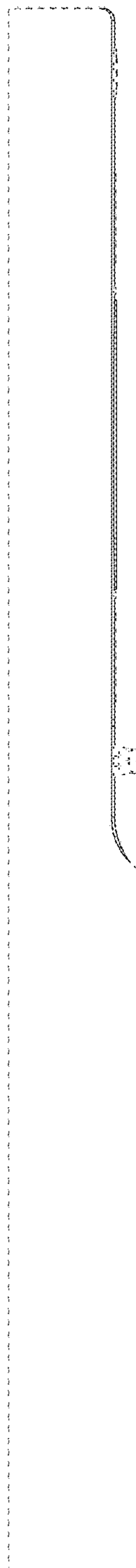


FIG. 5

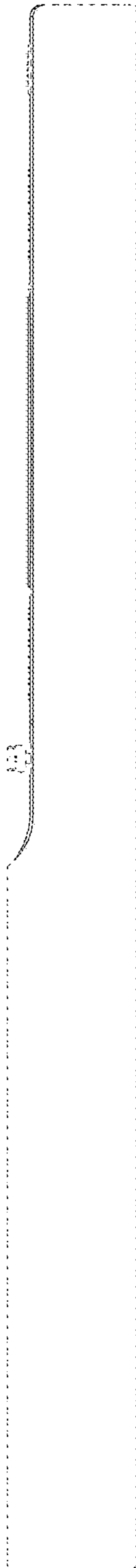


FIG. 6

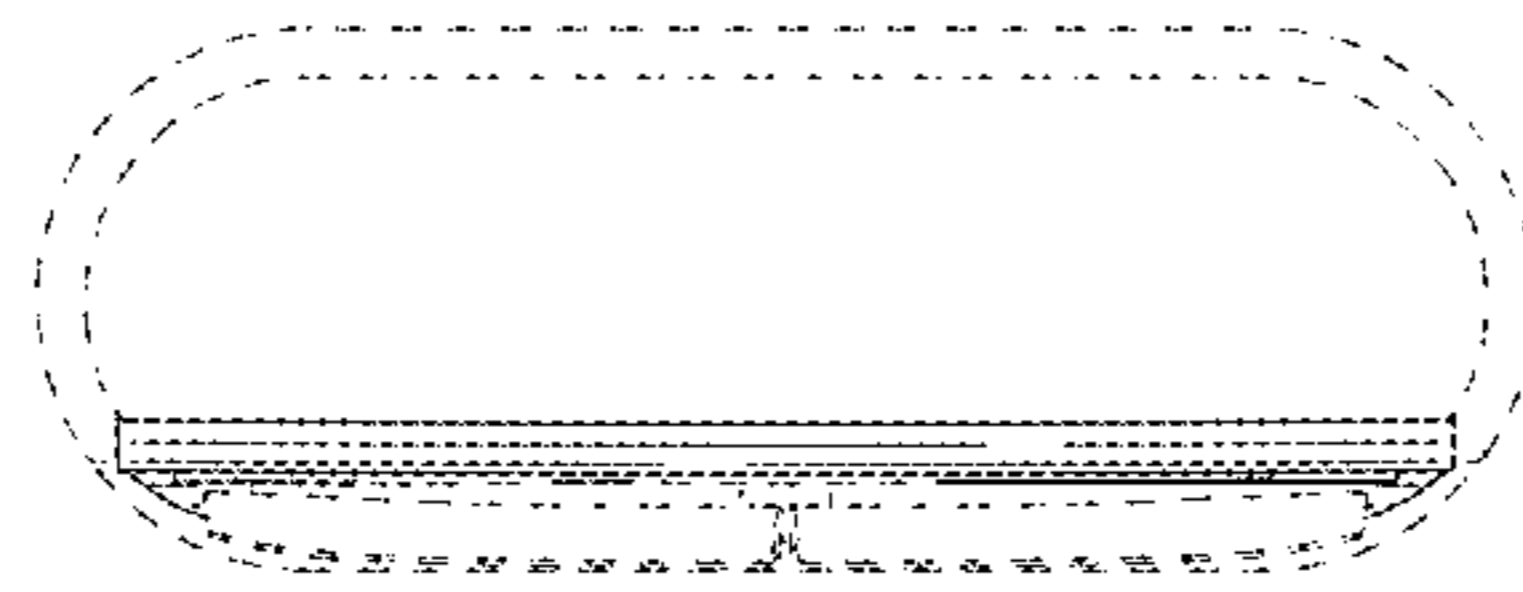


FIG. 7





FIG. 8

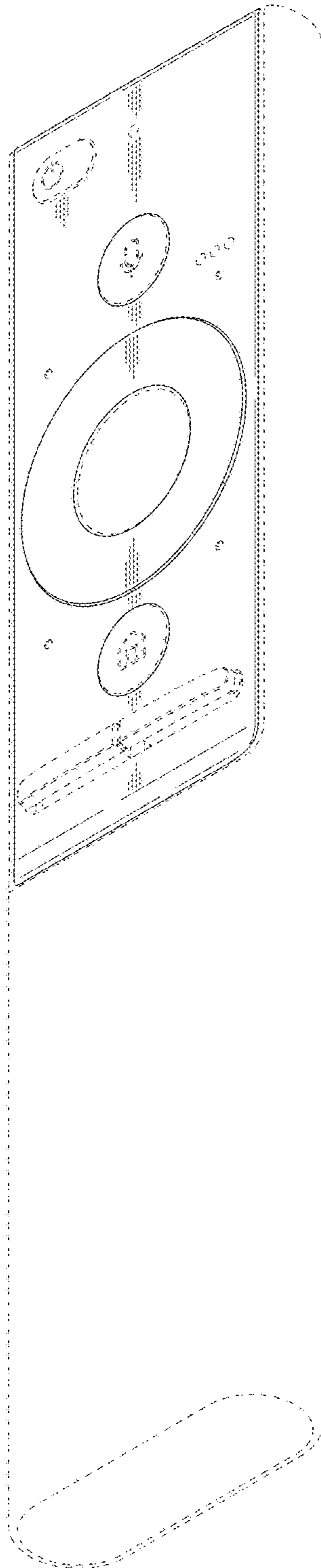


FIG. 9

