



US00D865679S

(12) **United States Design Patent** (10) **Patent No.:** **US D865,679 S**
Wang (45) **Date of Patent:** **** Nov. 5, 2019**

(54) **CONNECTOR**

DESCRIPTION

(71) Applicant: **EmCom Technology Inc.**, Taipei (TW)

(72) Inventor: **Chu-Li Wang**, Taipei (TW)

(73) Assignee: **EMCOM TECHNOLOGY INC.**,
Taipei (TW)

(**) Term: **15 Years**

(21) Appl. No.: **29/630,008**

(22) Filed: **Dec. 18, 2017**

(30) **Foreign Application Priority Data**

Jun. 16, 2017 (TW) 106303369

(51) **LOC (12) Cl.** **13-03**

(52) **U.S. Cl.**
USPC **D13/151**

(58) **Field of Classification Search**

USPC D8/356; D13/156, 120–121, 123, 133,
D13/151, 158, 160, 173, 178, 184, 199,
(Continued)

(56) **References Cited**

U.S. PATENT DOCUMENTS

2,305,101 A * 12/1942 O'Brien H02G 11/02
174/86
3,190,978 A * 6/1965 Huget H01R 13/62
200/51 R

(Continued)

Primary Examiner — Derrick E Holland

Assistant Examiner — Jennifer O King

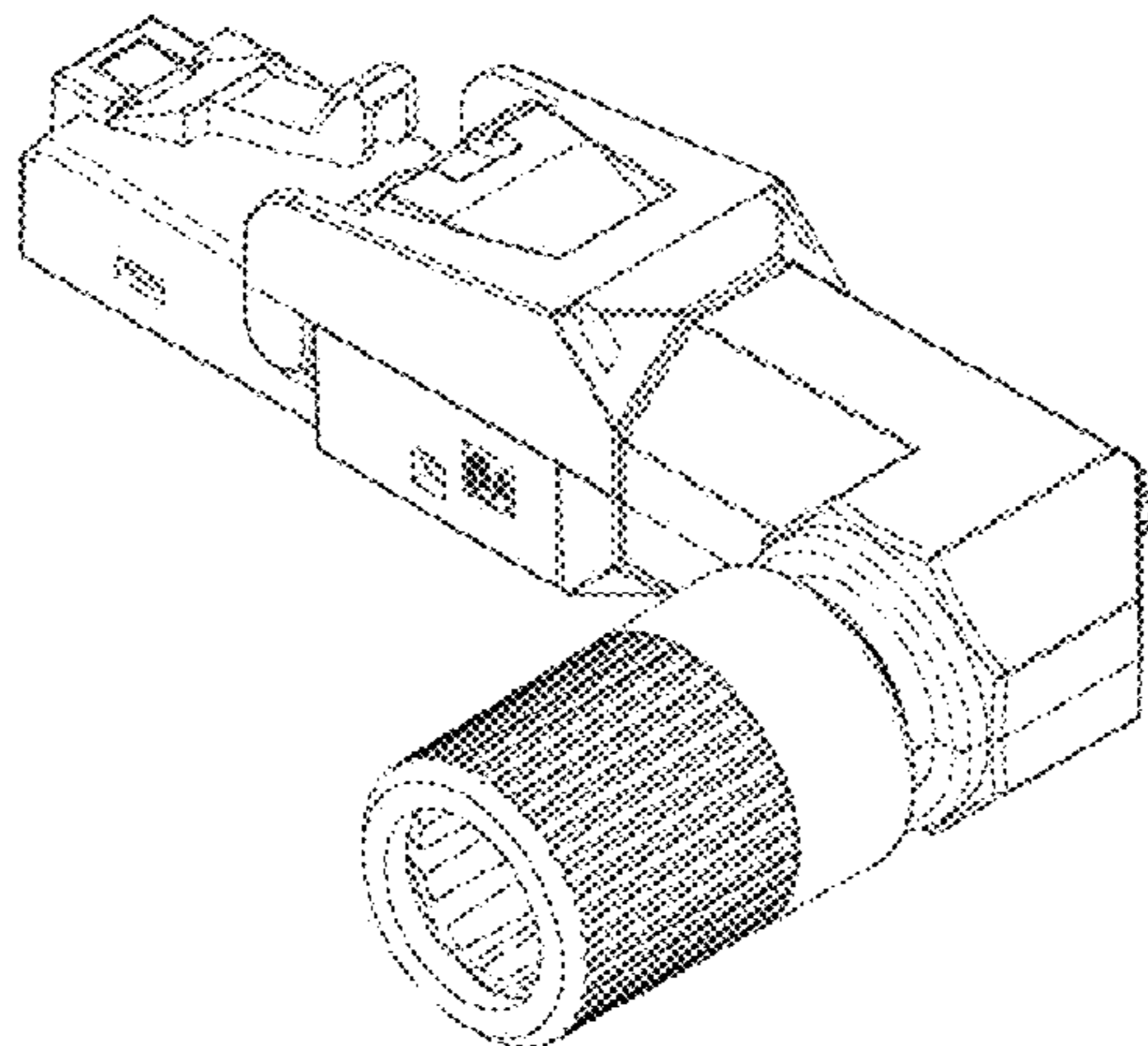
(74) *Attorney, Agent, or Firm* — Cheng-Ju Chiang

(57) **CLAIM**

The ornamental design for a connector, as shown and described.

FIG. 1 is a front perspective view of a connector showing my new design;
FIG. 2 is a rear perspective view of a connector showing my new design;
FIG. 3 is a front elevational view thereof;
FIG. 4 is a rear elevational view thereof;
FIG. 5 is a left side elevational view thereof;
FIG. 6 is a right side elevational view thereof;
FIG. 7 is a top plan view thereof;
FIG. 8 is a bottom plan view thereof;
FIG. 9 is a top perspective view thereof where the end part is shown rotated 45 degrees;
FIG. 10 is a bottom perspective view thereof where the end part is shown rotated 45 degrees;
FIG. 11 is a top perspective view thereof where the end part is shown rotated 90 degrees;
FIG. 12 is a bottom perspective view thereof where the end part is shown rotated 90 degrees;
FIG. 13 is a top perspective view thereof where the end part is shown rotated 135 degrees;
FIG. 14 is a bottom perspective view thereof where the end part is shown rotated 135 degrees;
FIG. 15 is a top perspective view thereof where the end part is shown rotated 180 degrees;
FIG. 16 is a bottom perspective view thereof where the end part is shown rotated 180 degrees;
FIG. 17 is a top perspective view thereof where the end part is shown rotated 225 degrees;
FIG. 18 is a bottom perspective view thereof where the end part is shown rotated 225 degrees;
FIG. 19 is a top perspective view thereof where the end part is shown rotated 270 degrees;
FIG. 20 is a bottom perspective view thereof where the end part is shown rotated 270 degrees;
FIG. 21 is a top perspective view thereof where the end part is shown rotated 315 degrees; and,
FIG. 22 is a bottom perspective view thereof where the end part is shown rotated 315 degrees.
The broken lines shown represent portions of the connector that form no part of the claimed design.

1 Claim, 22 Drawing Sheets



(58) **Field of Classification Search**

USPC D13/146-147, 154-155; 439/723, 752,
439/135, 149, 367

CPC ... H02G 3/30; H02G 3/32; H02G 3/34; H01R
13/6392; H01R 13/424; H01R 13/426;
H01R 13/4362; H01R 13/5213

See application file for complete search history.

(56) **References Cited**

U.S. PATENT DOCUMENTS

D244,611 S * 6/1977 Gietzen D13/133
4,143,930 A * 3/1979 Schauer H01R 39/64
439/23
D281,416 S * 11/1985 Buscher D13/147
D304,027 S * 10/1989 Matsuzaki D13/147
5,249,970 A * 10/1993 Jennings H01R 13/567
439/11
D360,403 S * 7/1995 Jaag D13/147
6,317,497 B1 * 11/2001 Ou B60R 11/02
379/446
D491,526 S * 6/2004 D'Addario D13/146
D496,909 S * 10/2004 D'Addario D13/133
8,388,374 B2 * 3/2013 Grek H01R 13/622
439/578
8,979,549 B2 * 3/2015 Lin H01R 13/46
439/31
D821,332 S * 6/2018 Shah D13/155
2011/0097919 A1 * 4/2011 Wang H01R 13/506
439/304

* cited by examiner

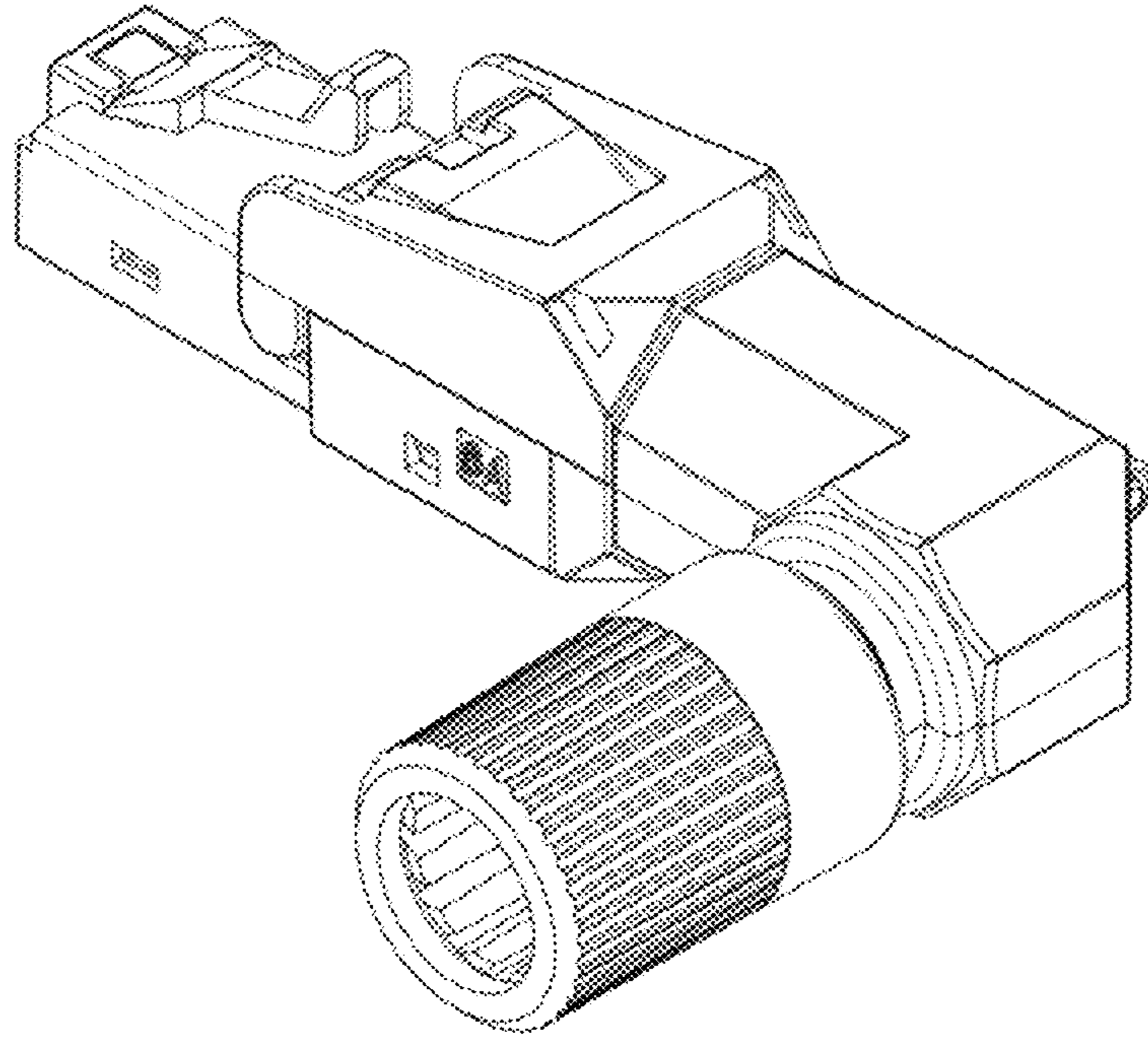


FIG. 1

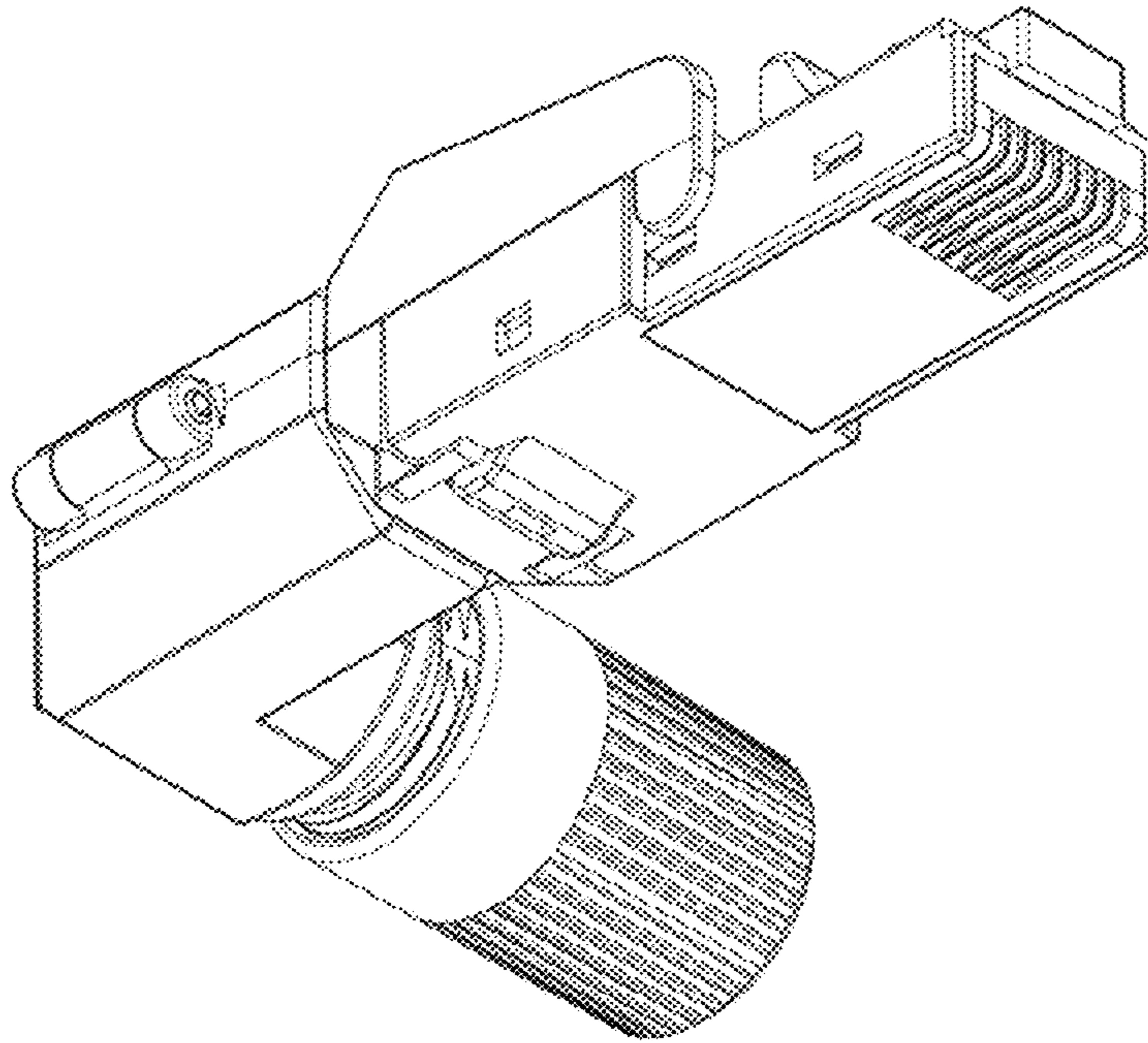


FIG. 2

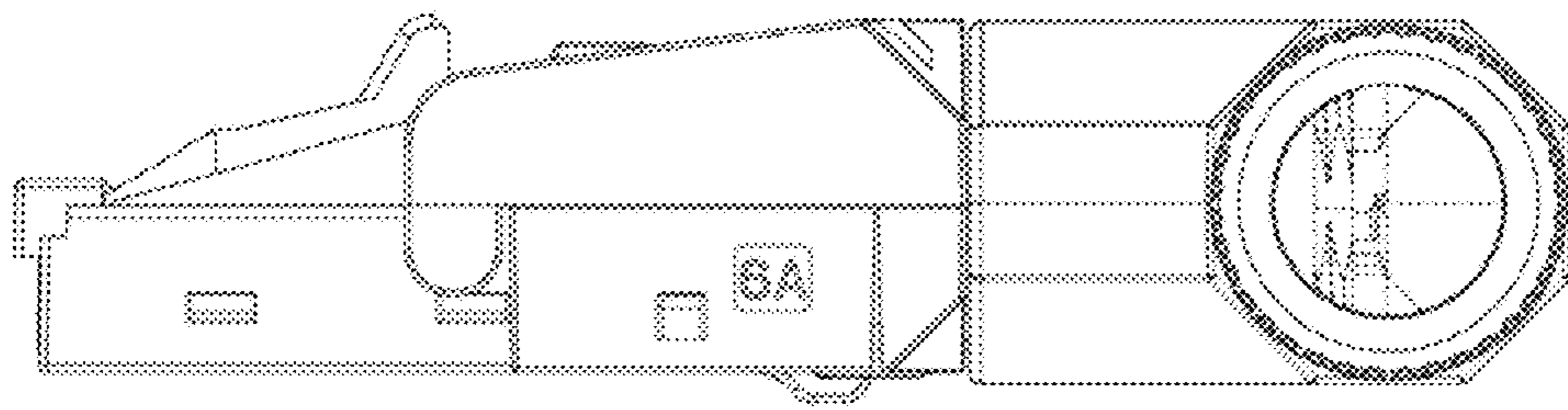


FIG. 3

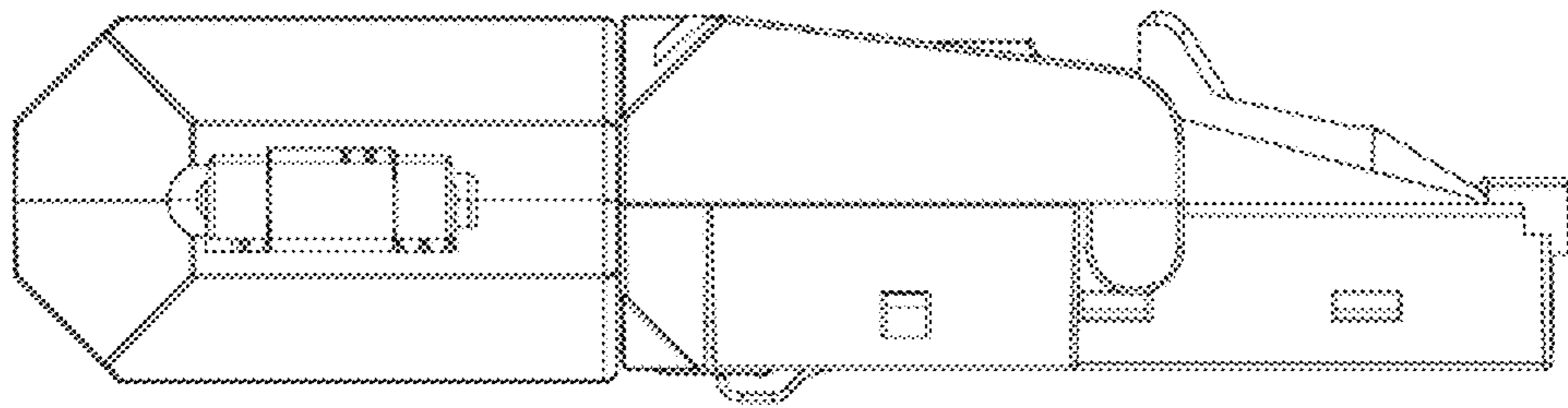


FIG. 4

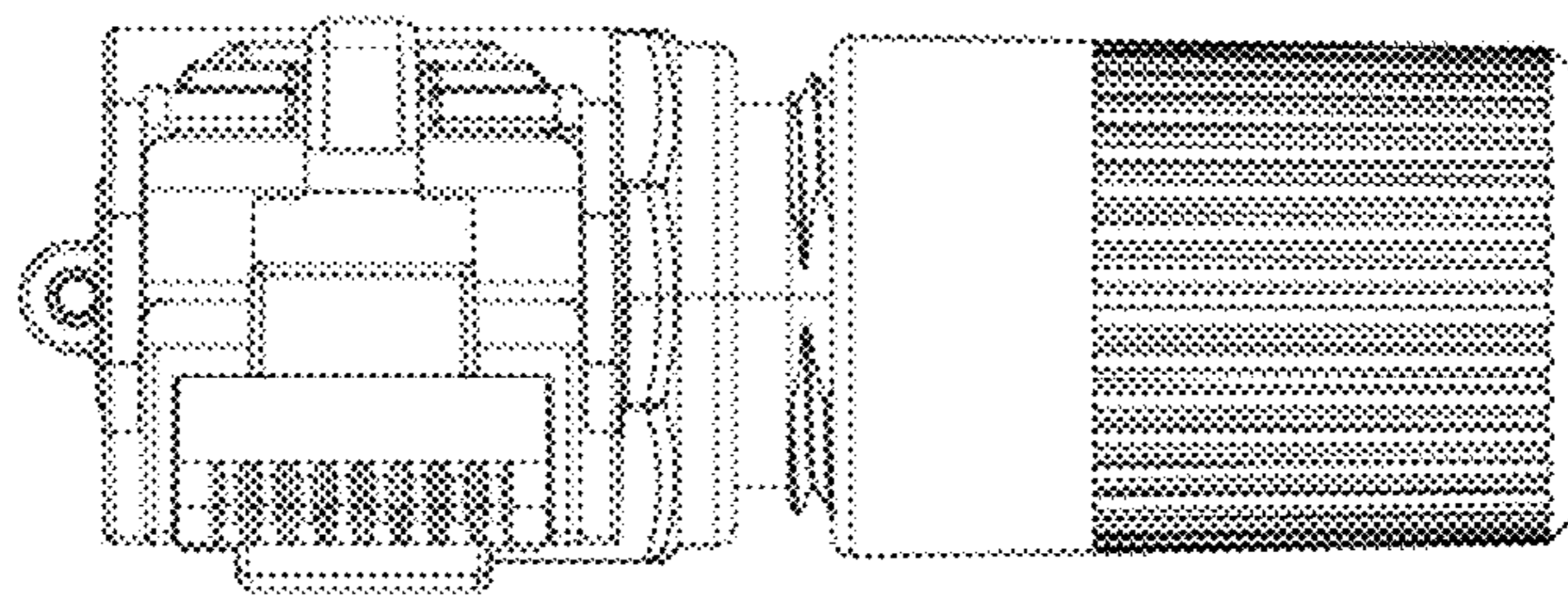


FIG. 5

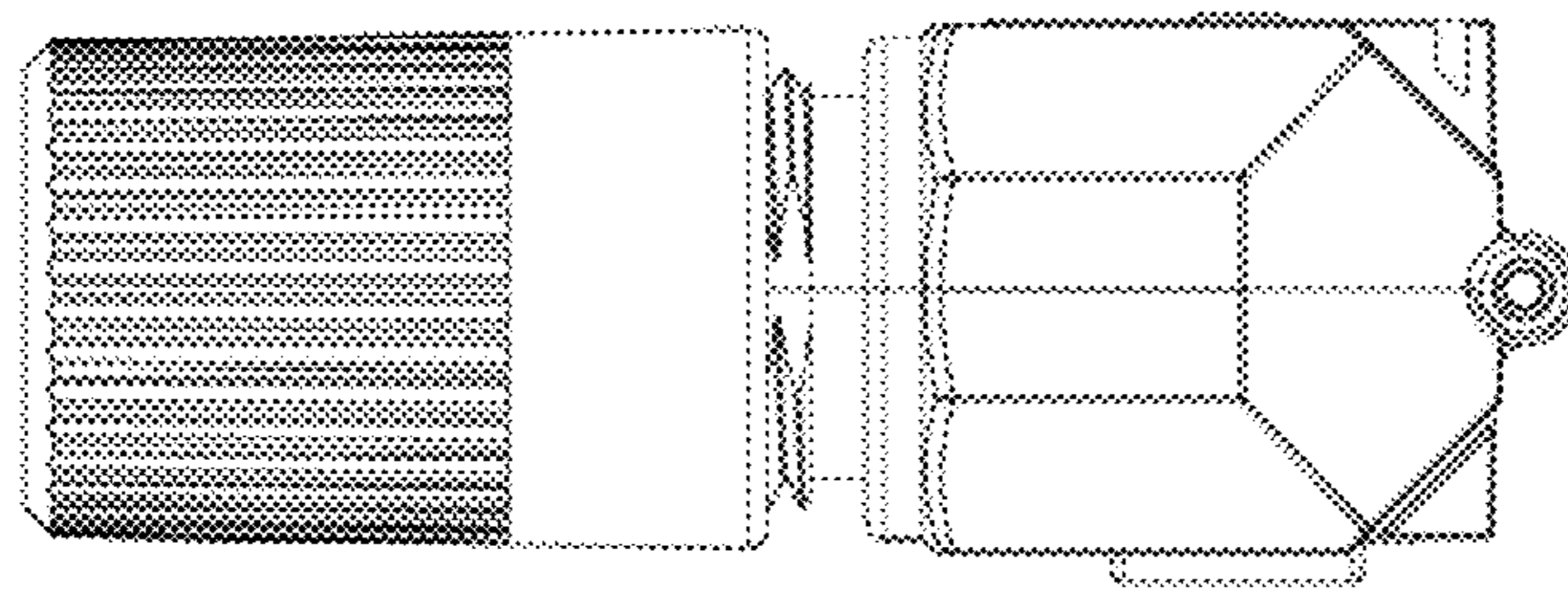


FIG. 6

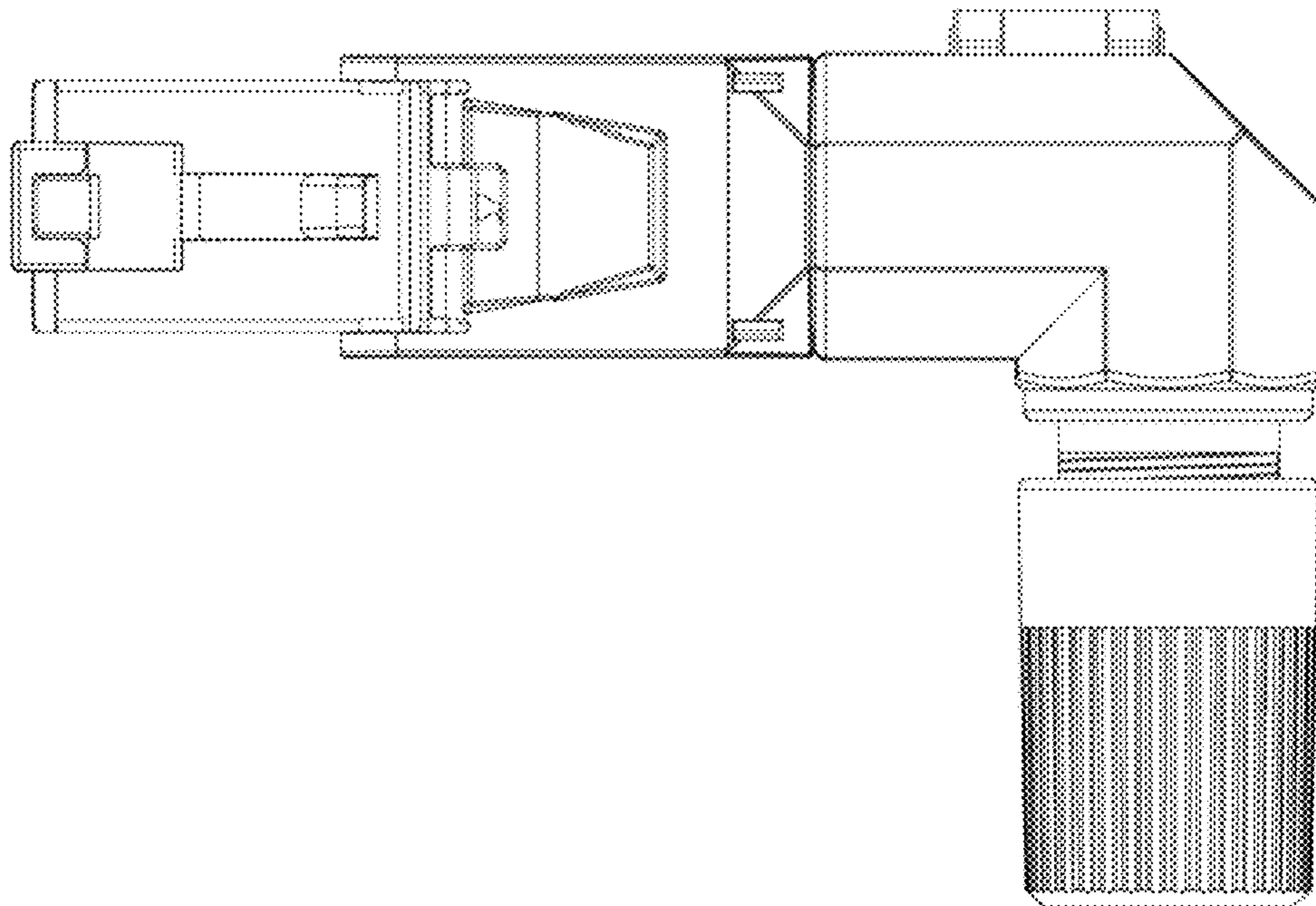


FIG. 7

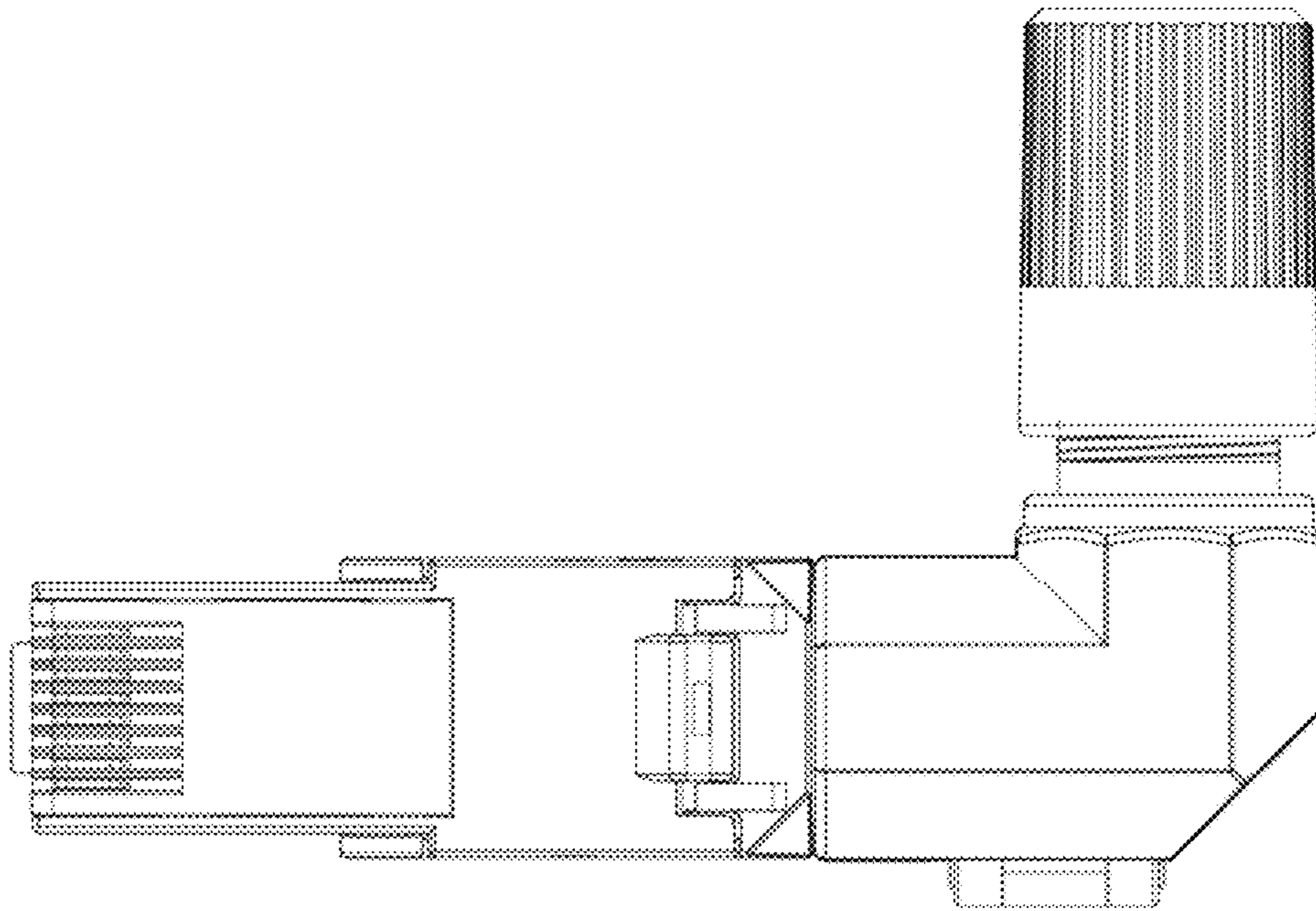


FIG. 8

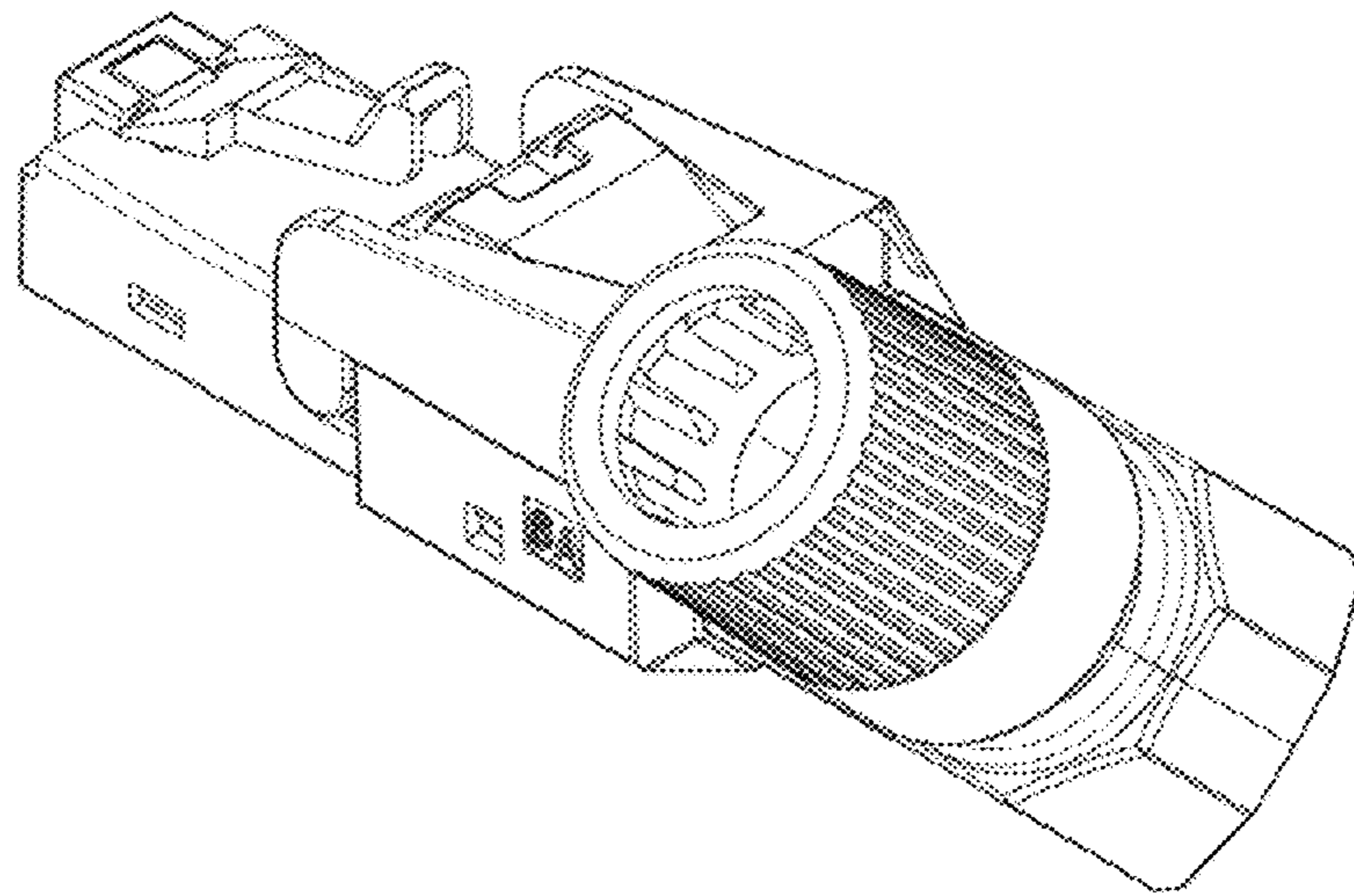


FIG. 9

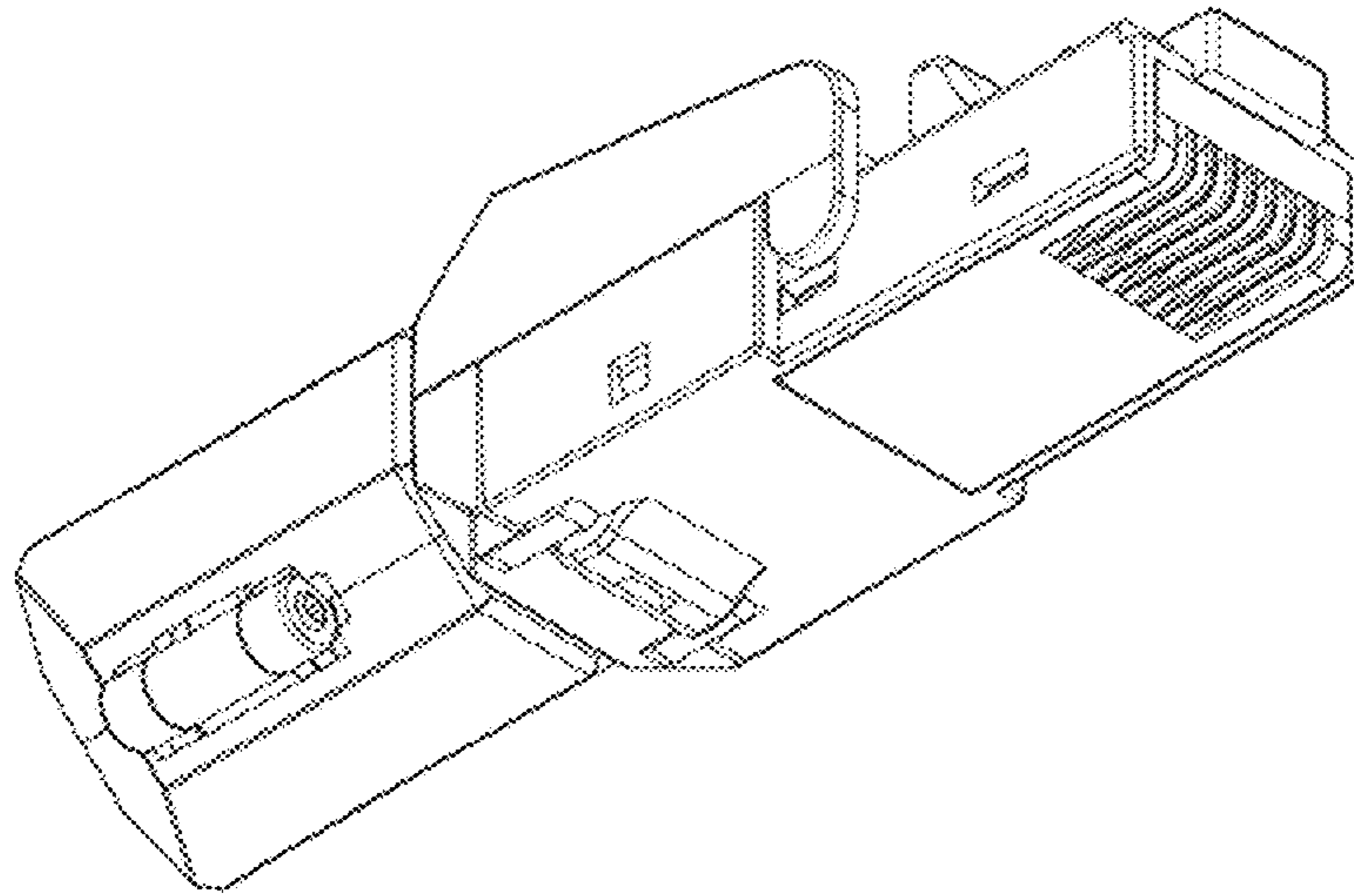


FIG. 10

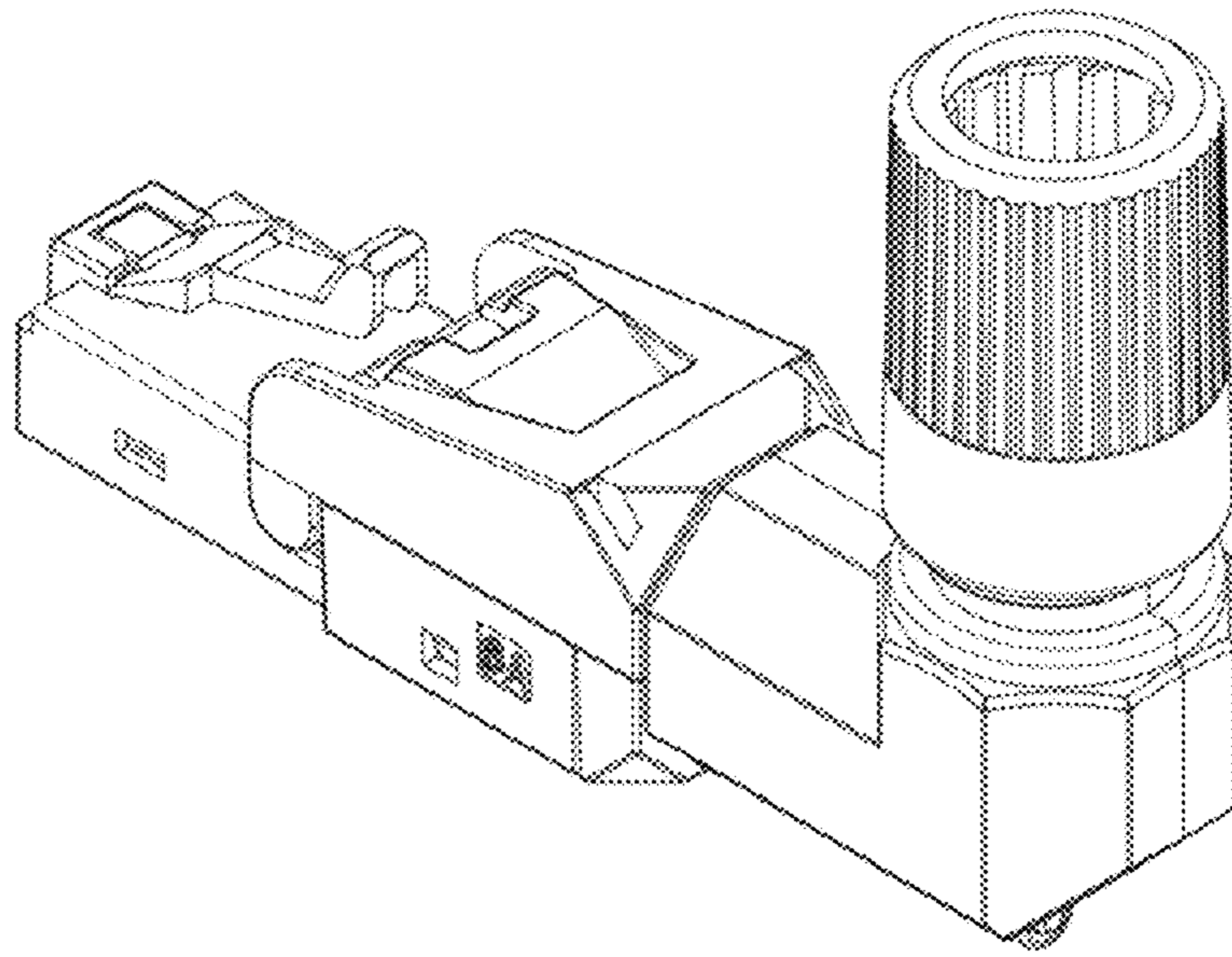


FIG. 11

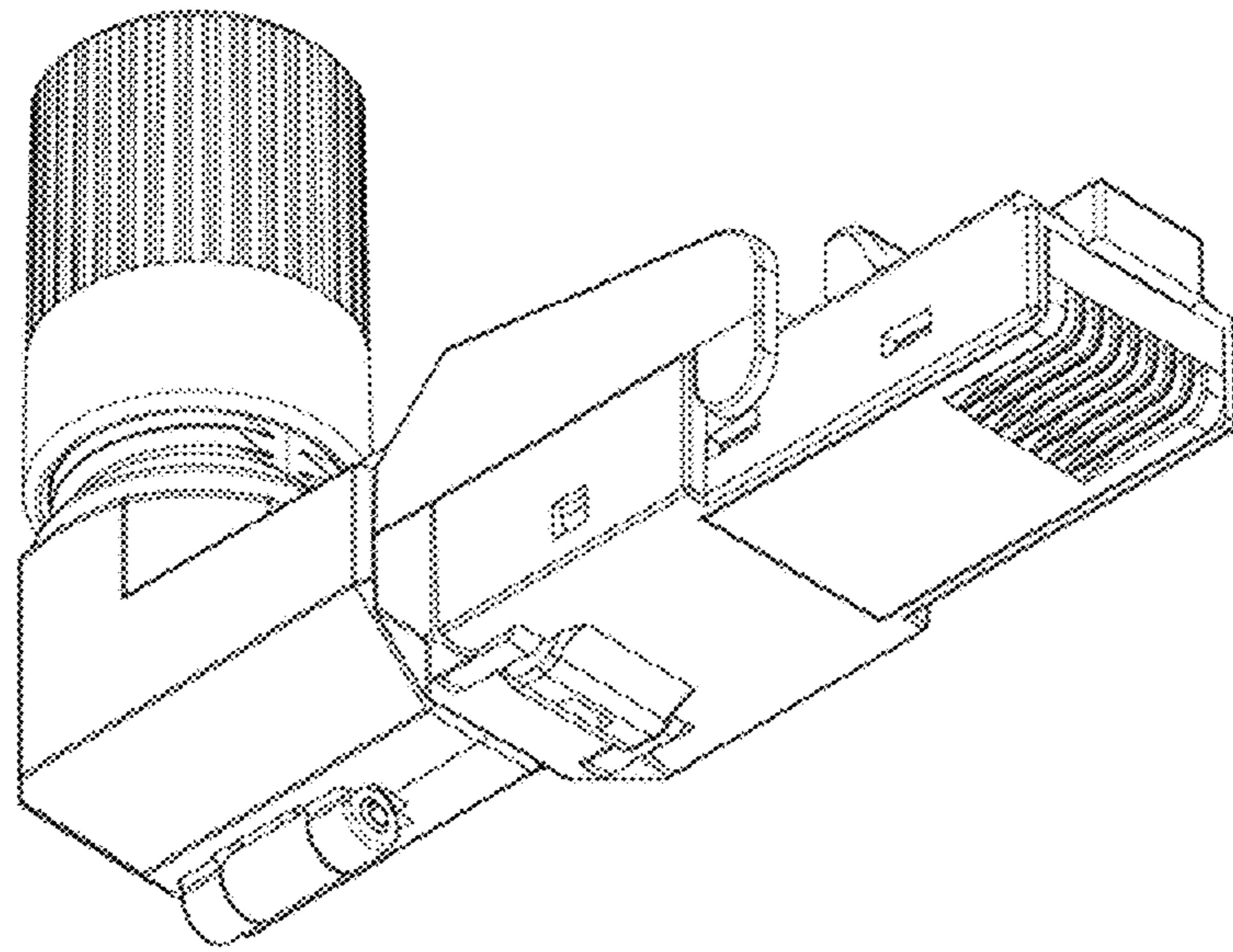


FIG. 12

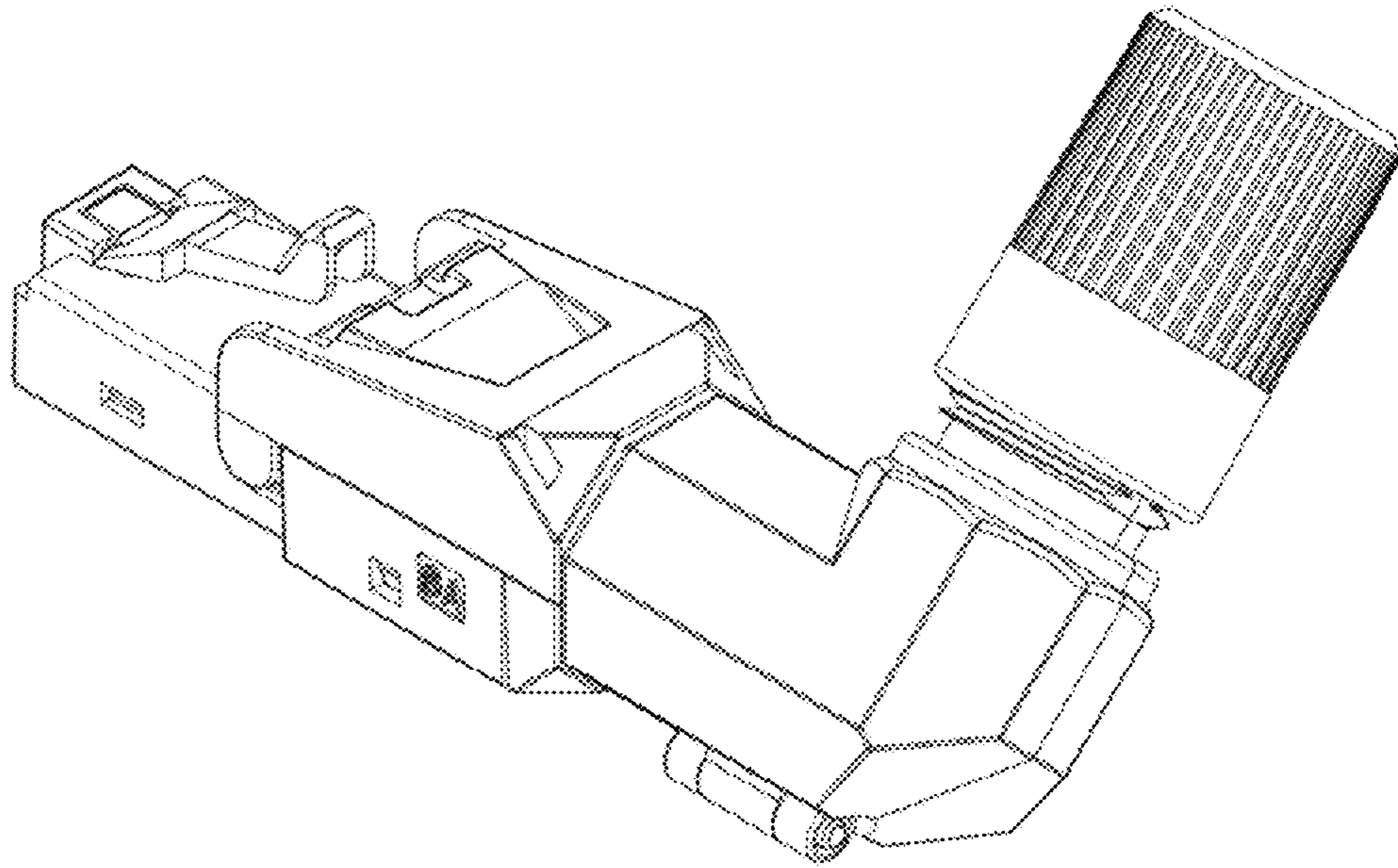


FIG. 13

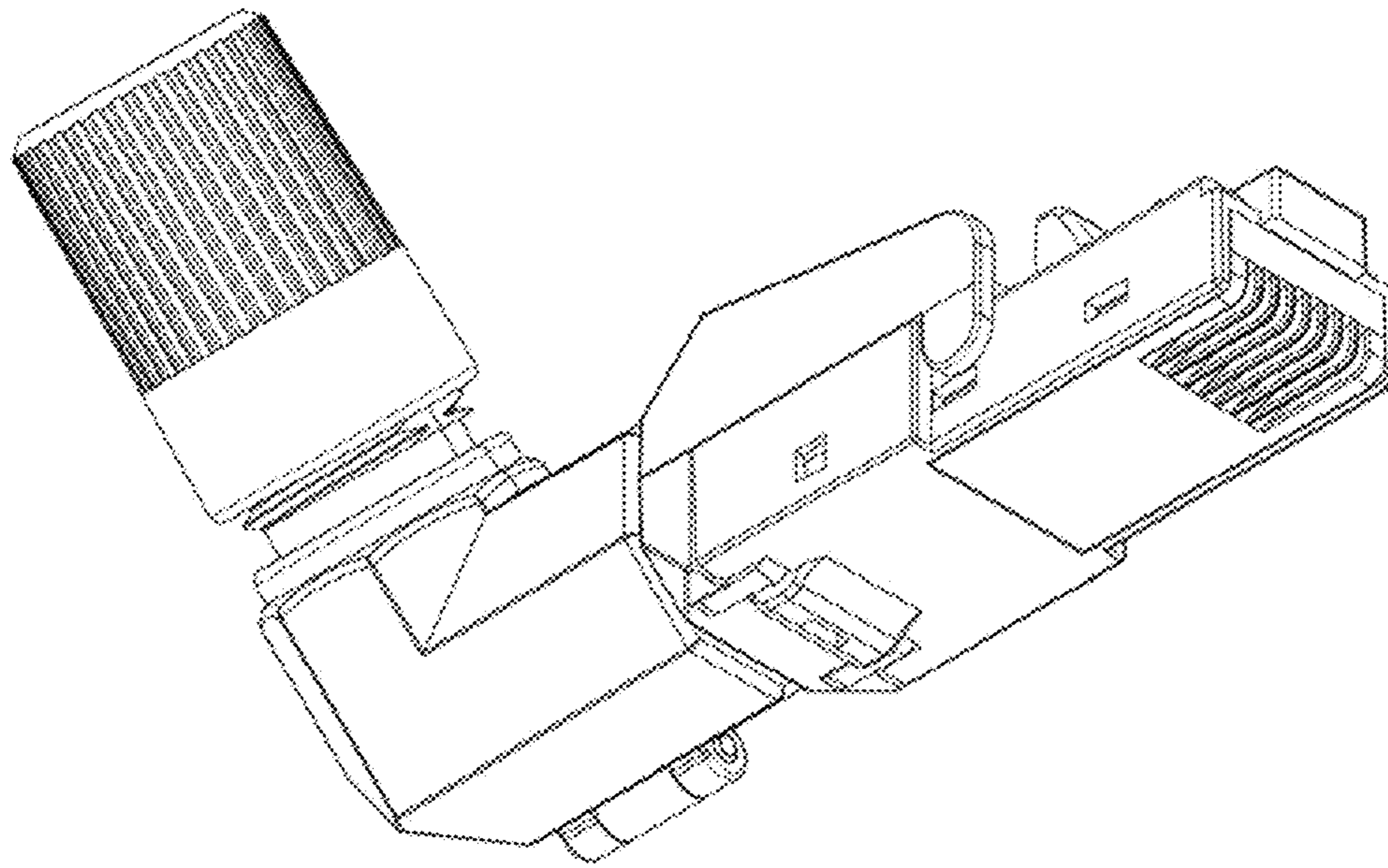


FIG. 14

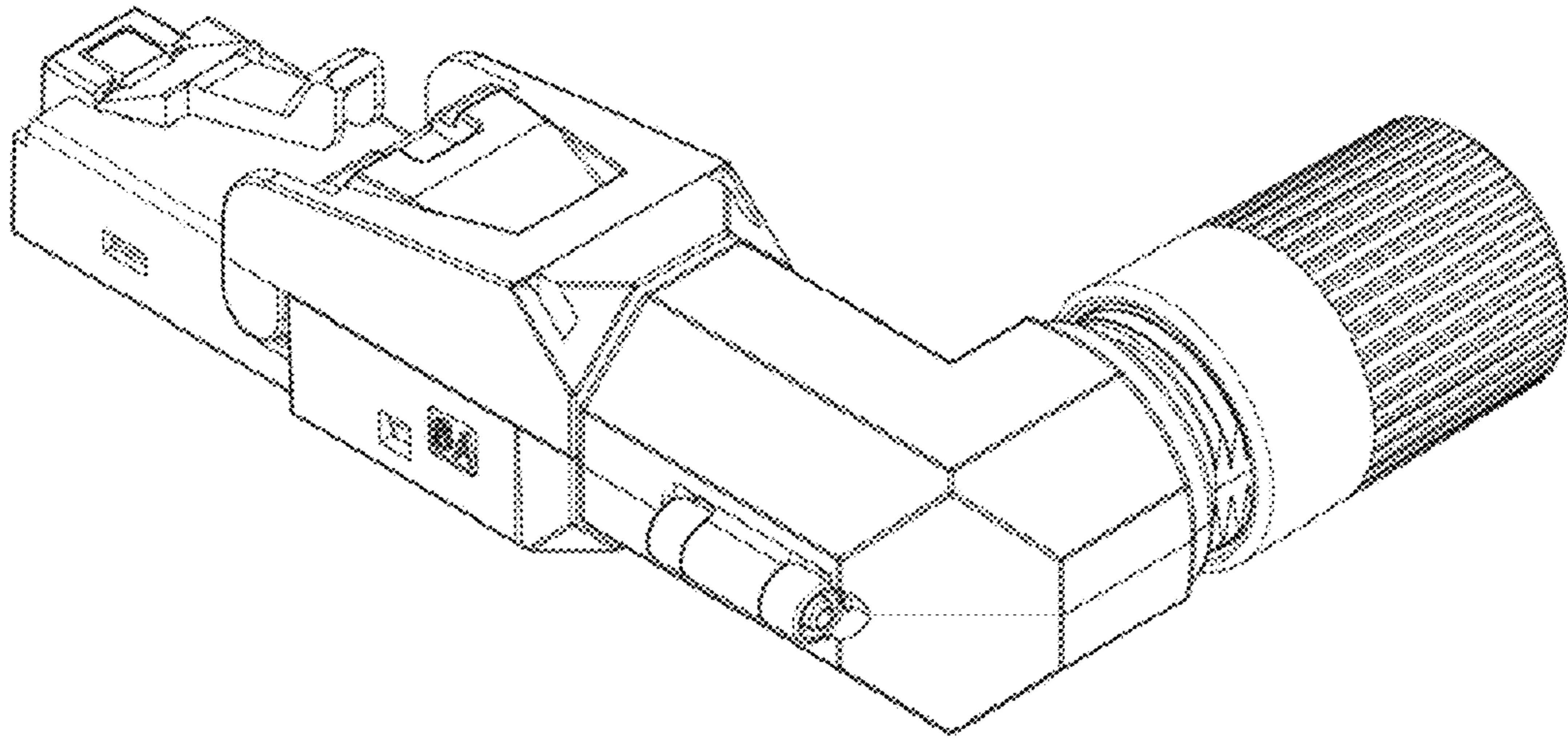


FIG. 15

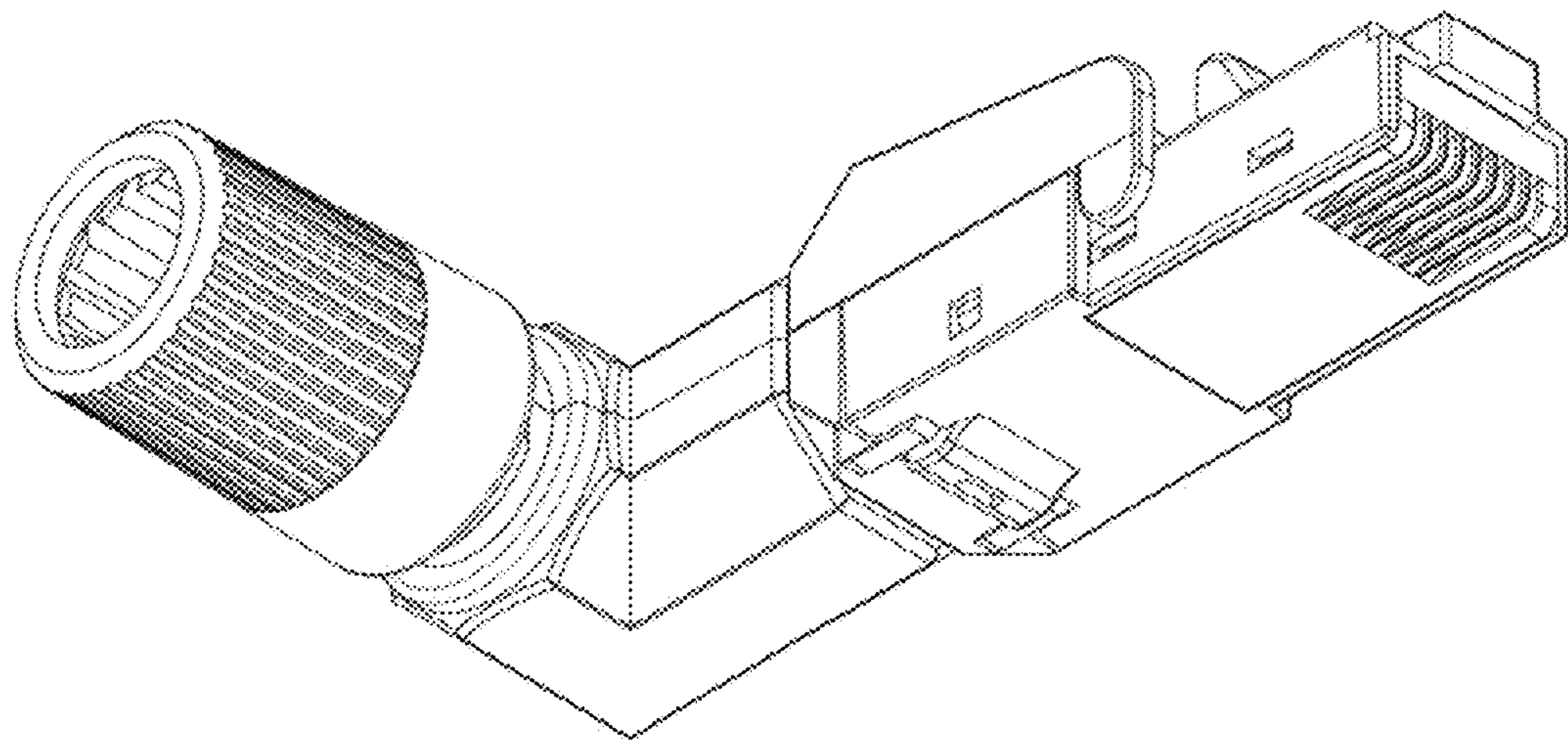


FIG. 16

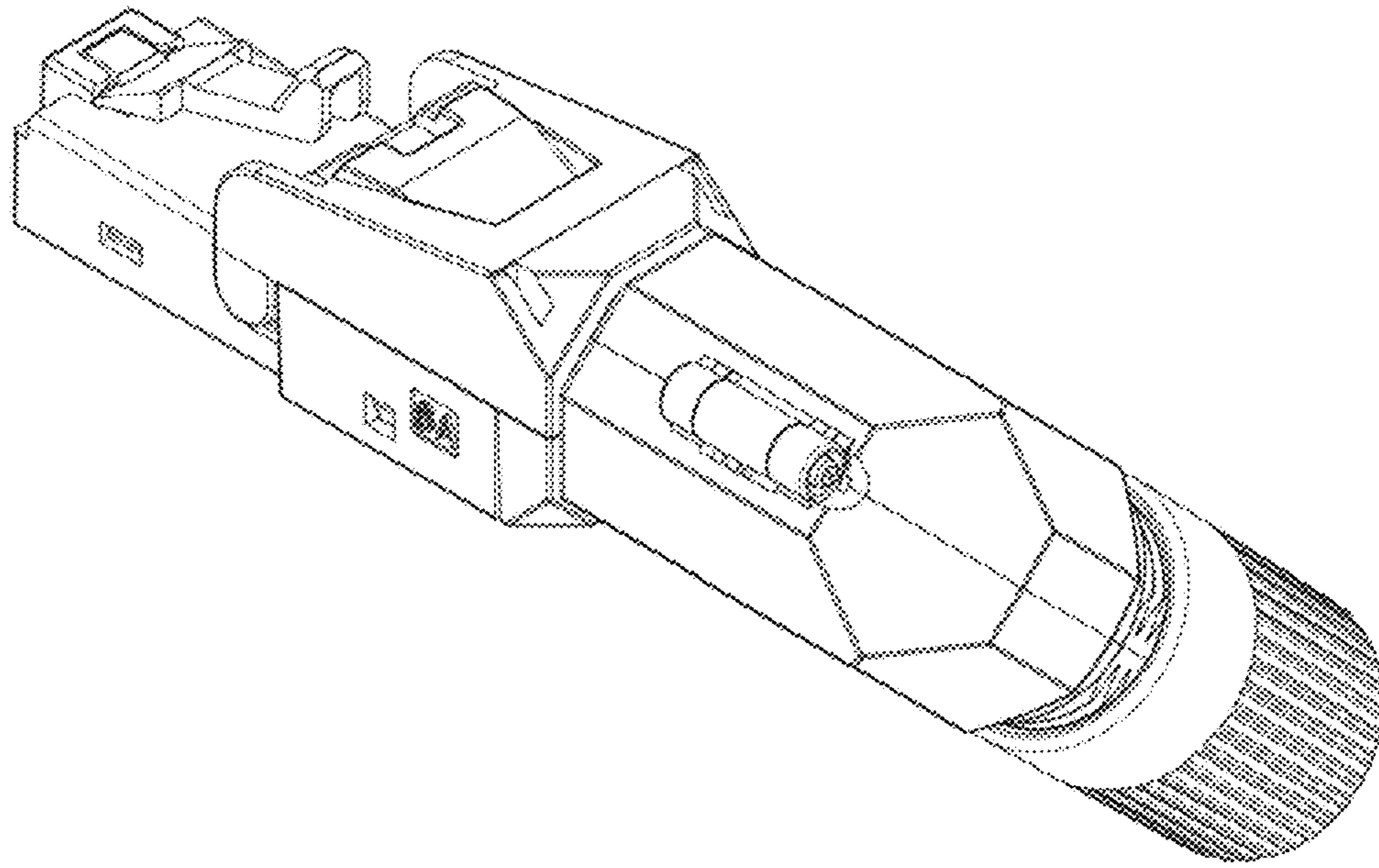


FIG. 17

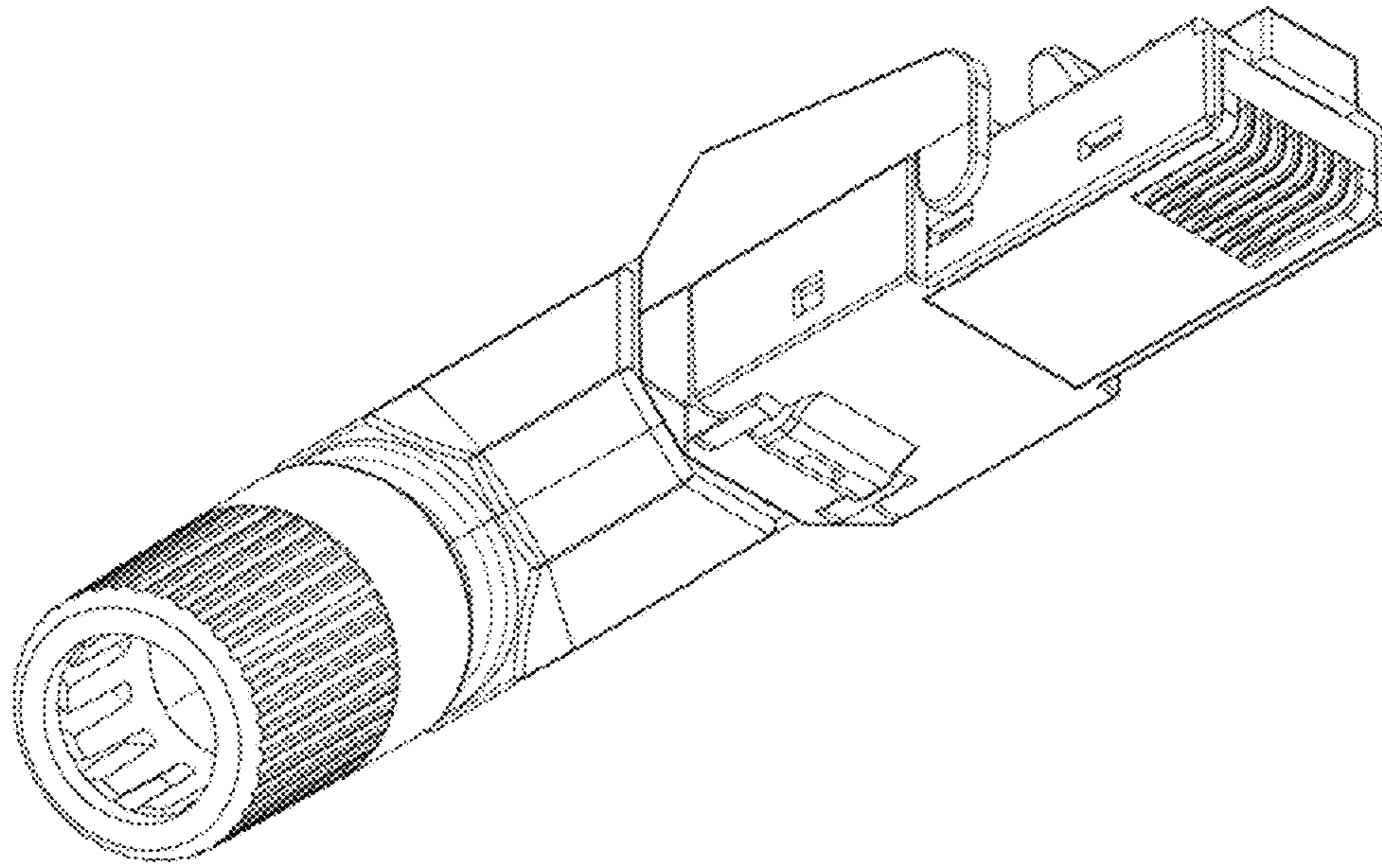


FIG. 18

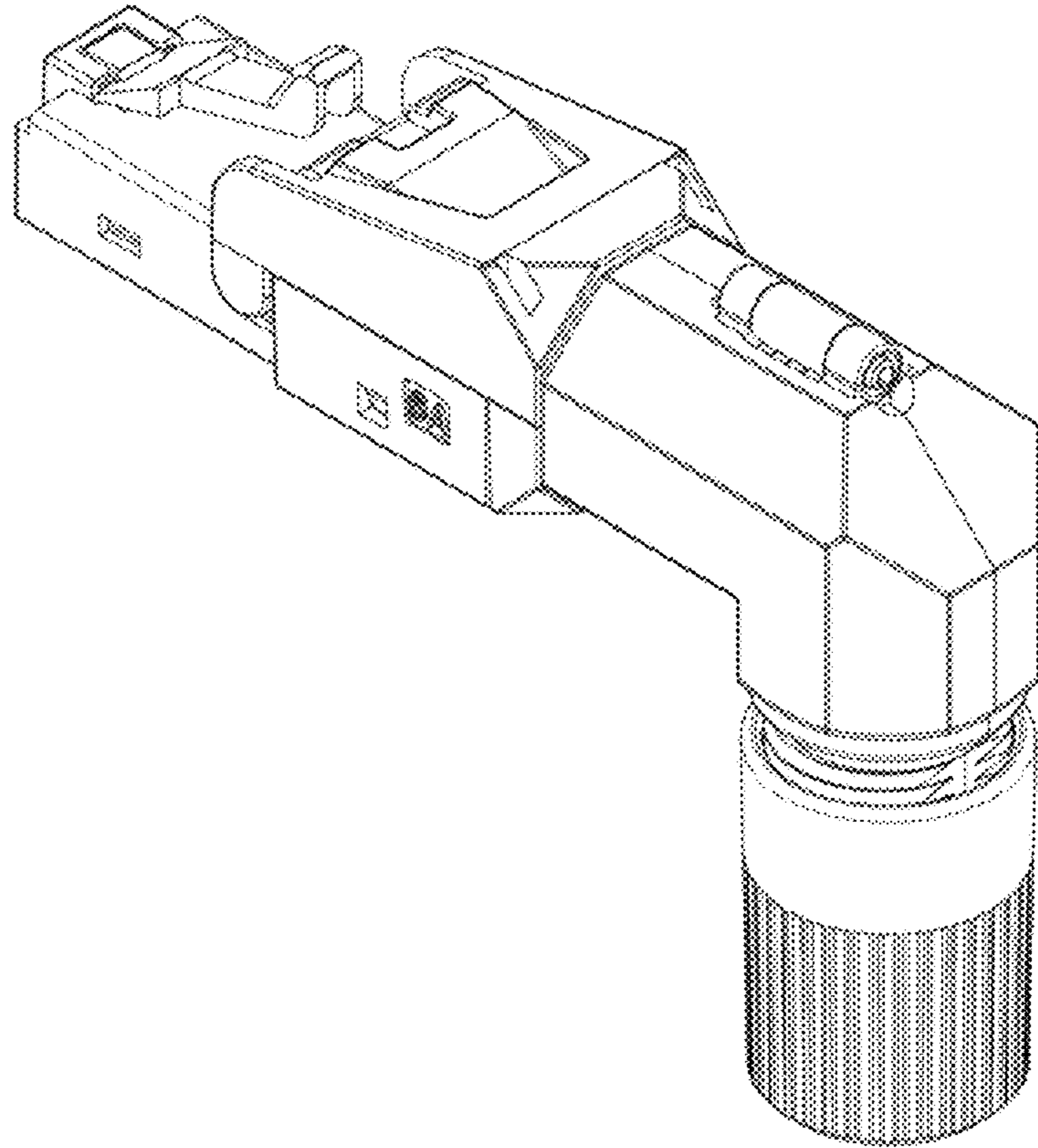


FIG. 19

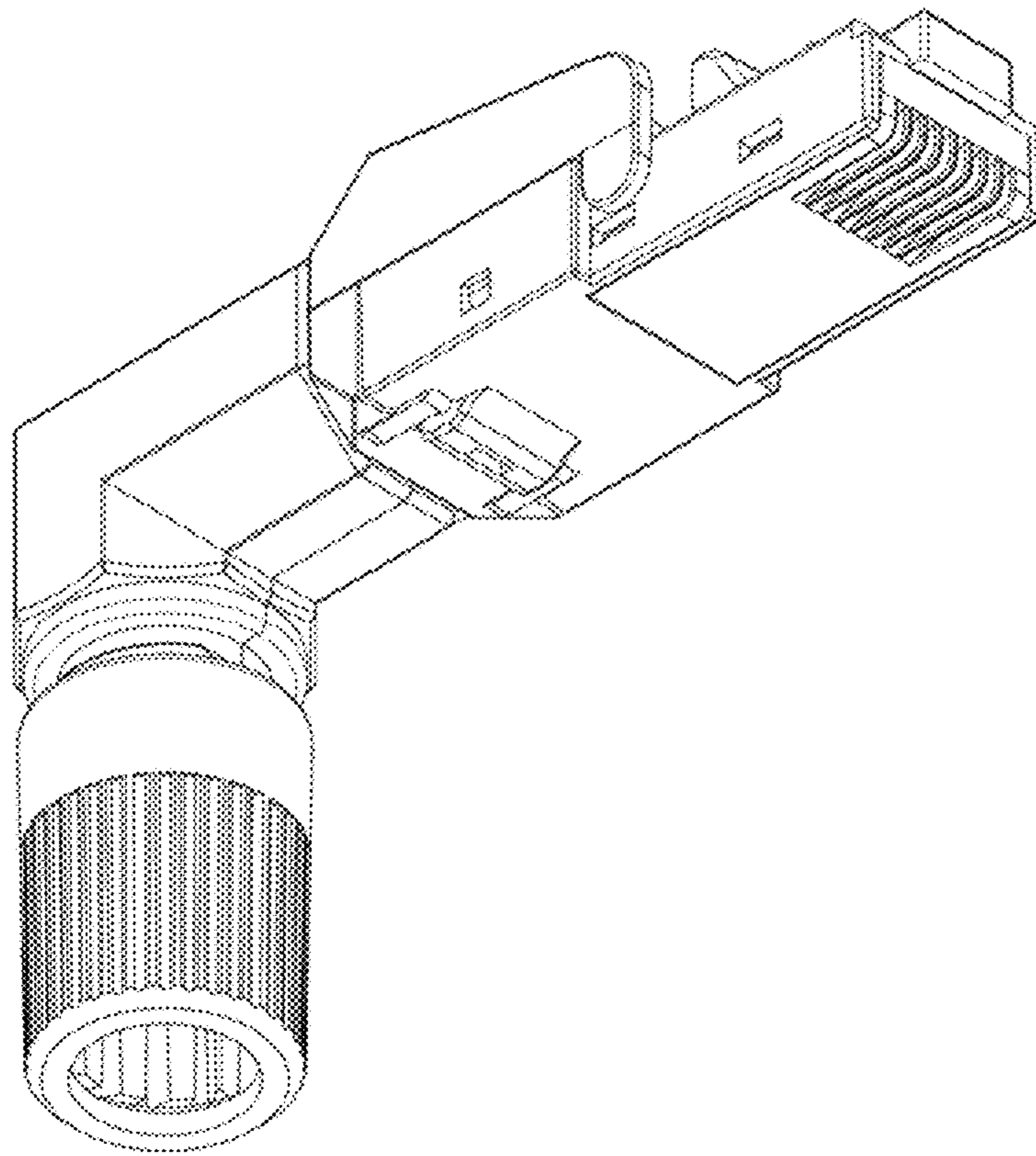


FIG. 20

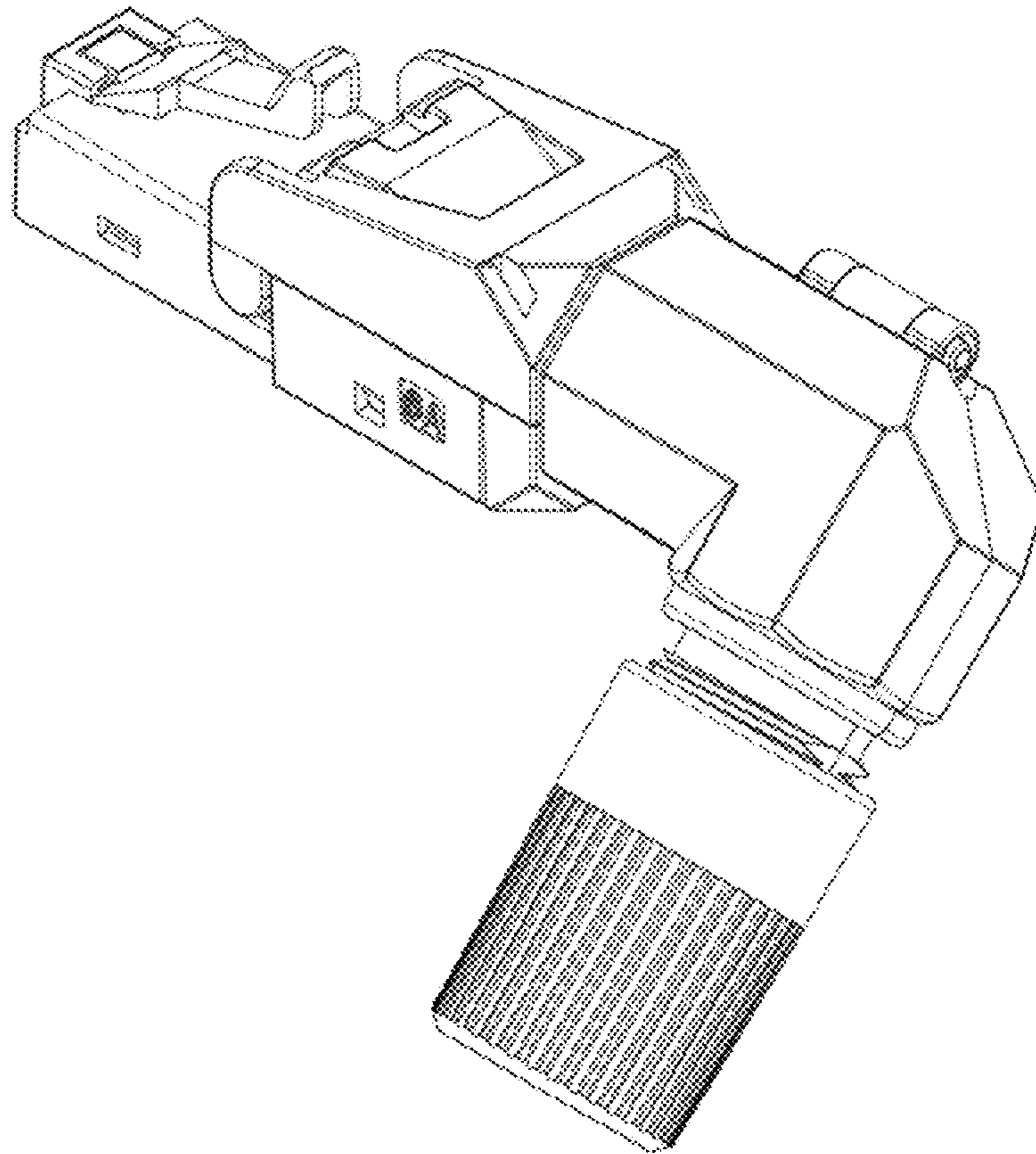


FIG. 21

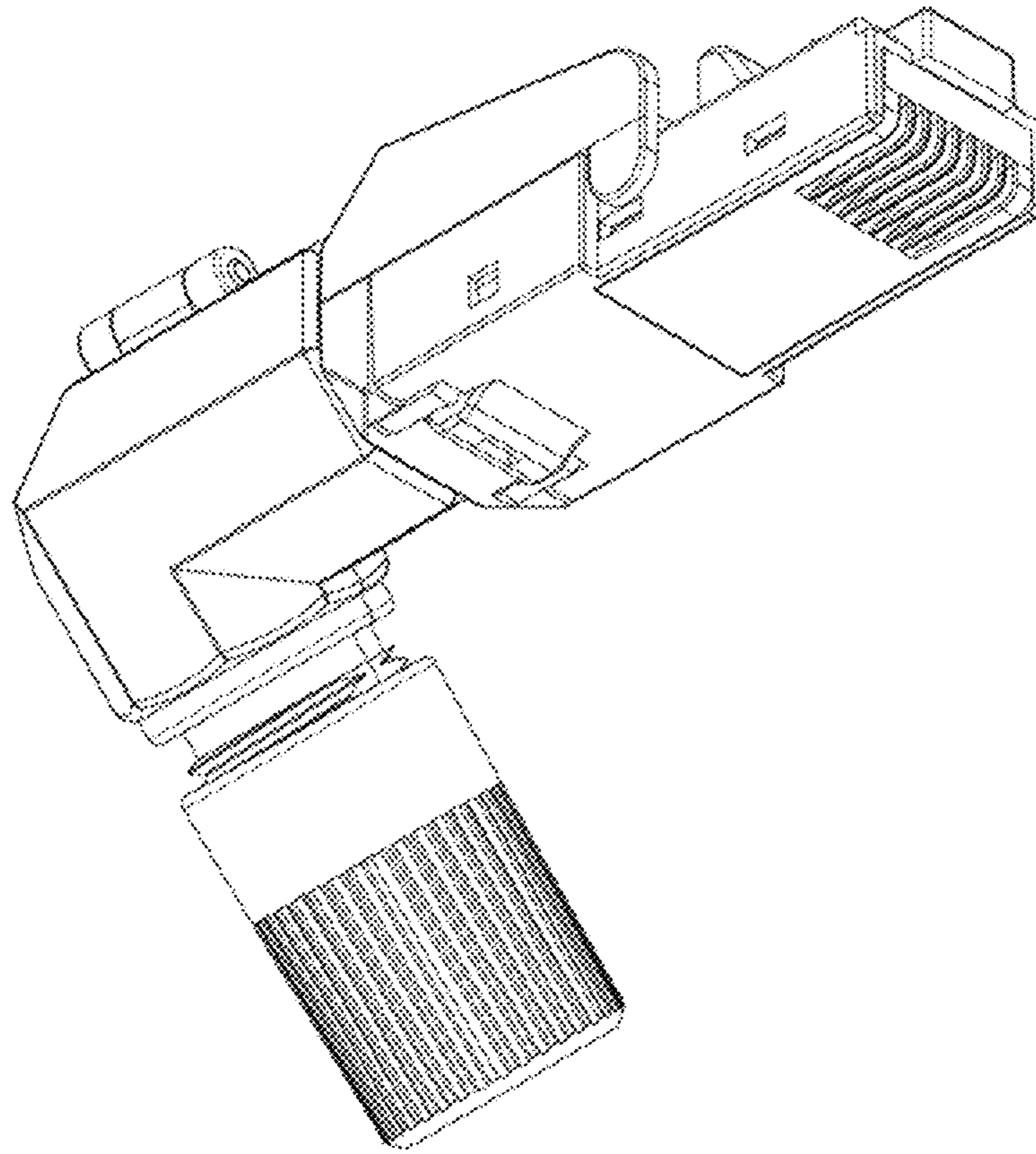


FIG. 22