



US00D865678S

(12) **United States Design Patent** (10) **Patent No.:** **US D865,678 S**
Shimada et al. (45) **Date of Patent:** **** Nov. 5, 2019**

(54) **CONNECTOR**

(71) Applicant: **Cisco Technology, Inc.**, San Jose, CA (US)

(72) Inventors: **Naoki Shimada**, Milpitas, CA (US);
Shane Costa Martins, Moraga, CA (US)

(73) Assignee: **Cisco Technology, Inc.**, San Jose, CA (US)

(**) Term: **15 Years**

(21) Appl. No.: **29/672,507**

(22) Filed: **Dec. 6, 2018**

Related U.S. Application Data

(63) Continuation of application No. 15/850,438, filed on Dec. 21, 2017, now Pat. No. 10,181,688.

(51) **LOC (12) Cl.** **13-03**

(52) **U.S. Cl.**
USPC **D13/147**

(58) **Field of Classification Search**
USPC D13/118, 120, 123, 133, 145-147, 151,
D13/153, 154, 173, 184, 199

(Continued)

(56) **References Cited**

U.S. PATENT DOCUMENTS

3,634,811 A 1/1972 Teagno et al.
3,638,164 A 1/1972 Glance et al.

(Continued)

FOREIGN PATENT DOCUMENTS

EP 0207842 A1 1/1987
WO 2004/051681 A2 6/2004

OTHER PUBLICATIONS

International Search Report and Written Opinion in counterpart International Application No. PCT/US2018/065596, dated Feb. 28, 2019, 12 pages.

Primary Examiner — Angela J Lee

Assistant Examiner — Shawn T Gingrich

(74) *Attorney, Agent, or Firm* — Edell, Shapiro & Finnan, LLC

(57) **CLAIM**

The ornamental design for a connector, as shown and described.

DESCRIPTION

FIG. 1 is a top perspective view of a connector;
FIG. 2 is a bottom perspective view of the connector of FIG. 1;

FIG. 3 is a top view of the connector of FIG. 1;

FIG. 4 is a bottom view of the connector of FIG. 1;

FIG. 5 is a first side view of the connector of FIG. 1;

FIG. 6 is a second side view of the connector of FIG. 1;

FIG. 7 is a front view of the connector of FIG. 1;

FIG. 8 is a rear view of the connector of FIG. 1;

FIG. 9 is a top perspective view of the connector of FIG. 1 shown within a housing;

FIG. 10 is a bottom perspective view of the connector and housing of FIG. 9;

FIG. 11 is a top view of the connector and housing of FIG. 9;

FIG. 12 is a bottom view of the connector and housing of FIG. 9;

FIG. 13 is a first side view of the connector and housing of FIG. 9;

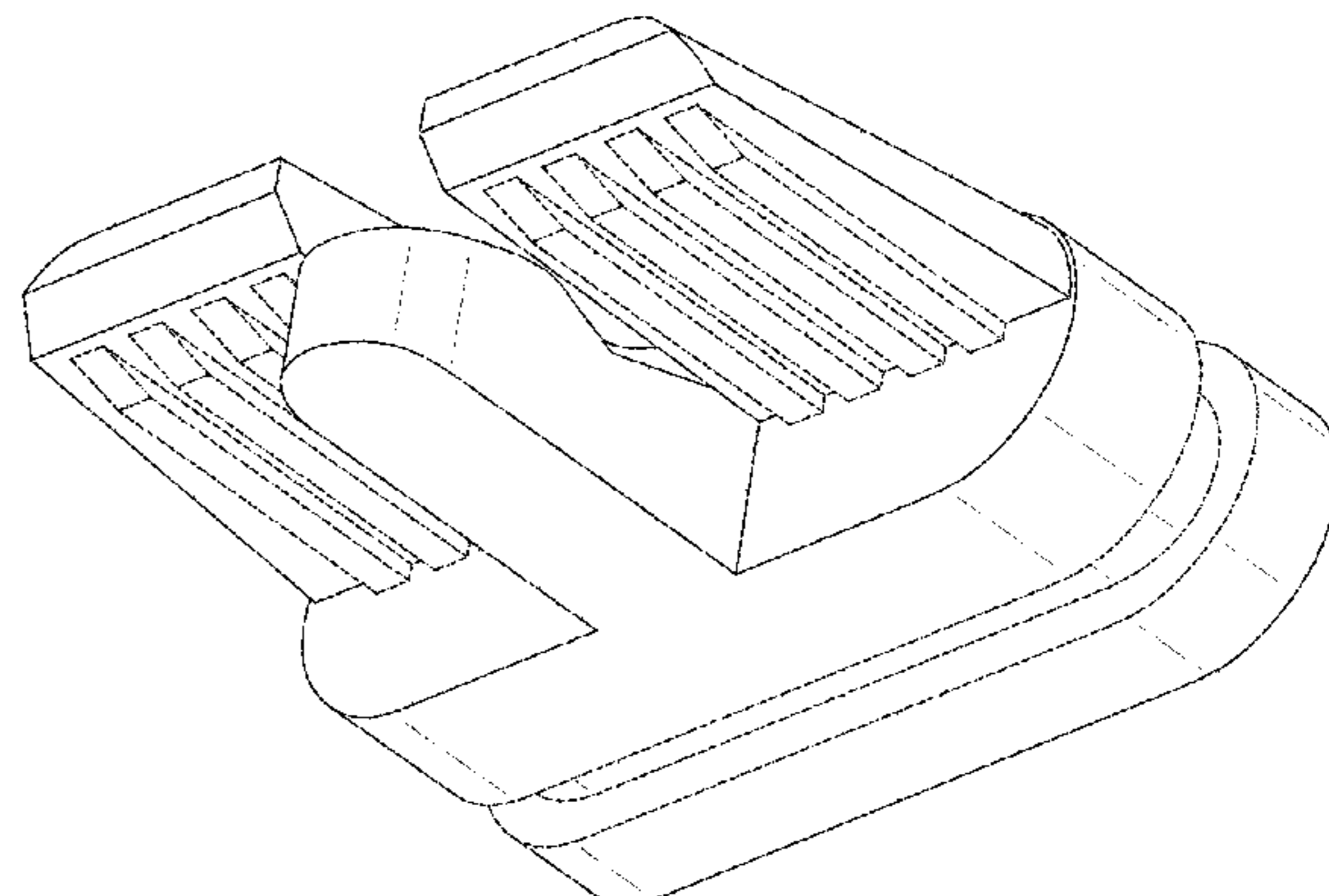
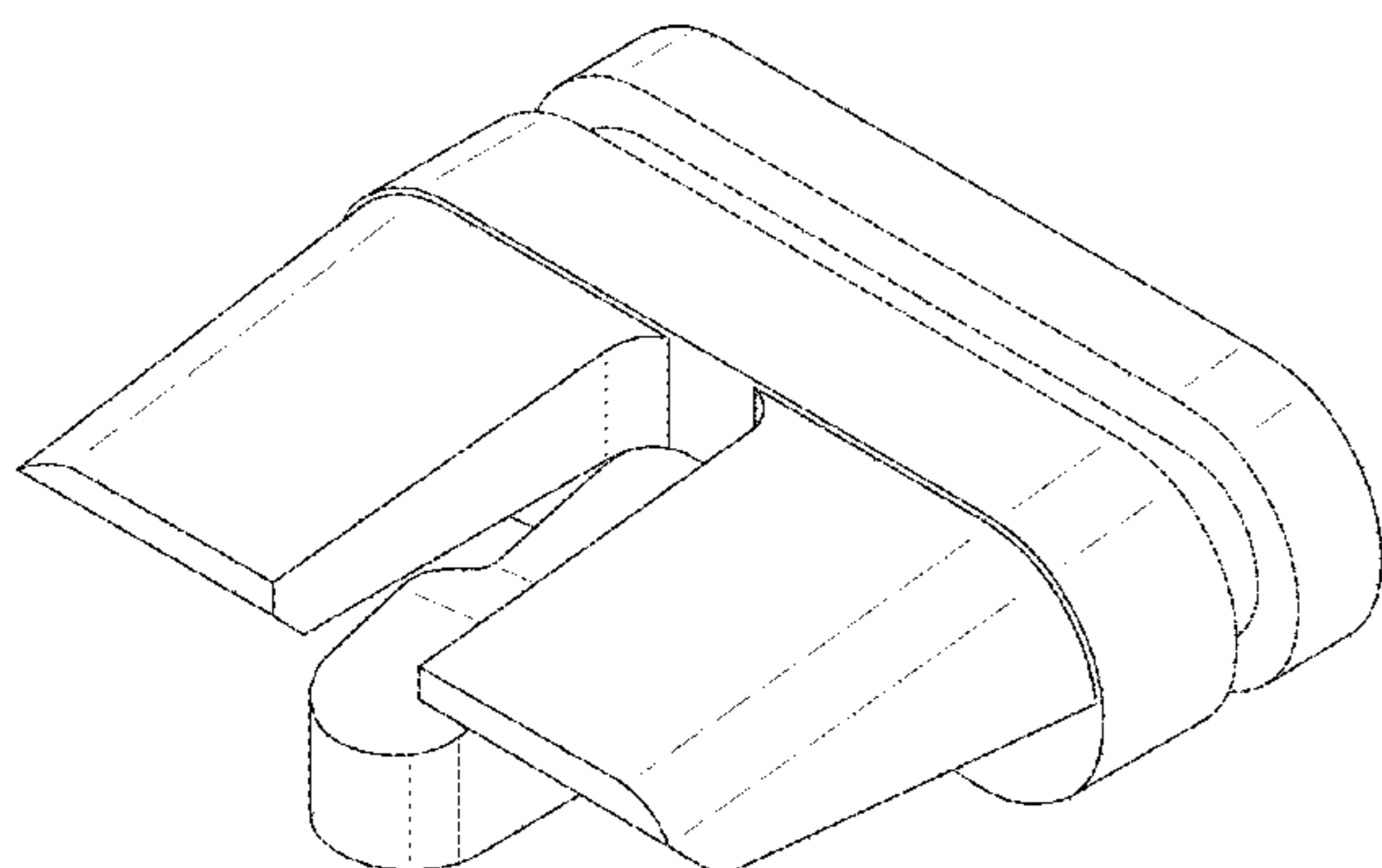
FIG. 14 is a second side view of the connector and housing of FIG. 9;

FIG. 15 is a front view of the connector and housing of FIG. 9; and,

FIG. 16 is a rear view of the connector and housing of FIG. 9.

The dashed lines used in the figure drawings are included to show portions of the article that form no part of the claimed design.

1 Claim, 10 Drawing Sheets



(58) **Field of Classification Search**
 CPC . H01R 9/00; H01R 9/24; H01R 13/00; H01R
 13/28; H01R 13/502; H01R 13/627;
 H01R 13/639; H01R 13/64; H01R 12/24;
 H01R 13/648; H01R 13/66; H01R 24/18;
 H01R 24/84
 See application file for complete search history.

(56) **References Cited**

U.S. PATENT DOCUMENTS

3,827,007 A * 7/1974 Fairbairn H01R 13/28
 439/293
 3,909,099 A 9/1975 Winkler
 4,083,617 A 4/1978 Wyatt
 4,634,211 A 1/1987 Poliak et al.
 4,737,118 A 4/1988 Lockard
 4,963,102 A * 10/1990 Gettig H01R 13/28
 439/291
 5,259,780 A 11/1993 Morrissey, III et al.
 5,448,646 A 9/1995 Lucey et al.

5,575,674 A 11/1996 Davis et al.
 5,800,196 A 9/1998 Rudoy et al.
 D512,687 S * 12/2005 Baker D13/133
 D518,773 S * 4/2006 Kurasaki D13/133
 D519,924 S * 5/2006 Baker D13/133
 D543,506 S * 5/2007 Peng D13/147
 7,220,136 B1 5/2007 Green
 D578,065 S * 10/2008 Baker D13/133
 7,513,782 B1 4/2009 Sheldon et al.
 D626,077 S * 10/2010 Huang D13/147
 7,828,587 B2 11/2010 Hermant et al.
 7,955,109 B2 6/2011 Toner
 D650,746 S * 12/2011 Smith D13/133
 D736,160 S * 8/2015 Chen D13/146
 9,246,286 B2 1/2016 Stowers et al.
 9,337,594 B2 5/2016 Brodsgaard
 9,437,961 B1 * 9/2016 Smajda H01R 13/5219
 9,876,323 B1 * 1/2018 Lybrand H01R 24/84
 10,181,688 B1 * 1/2019 Shimada H01R 24/84
 D840,939 S * 2/2019 Chen D13/147
 2004/0115980 A1 6/2004 Douty et al.
 2009/0181571 A1 7/2009 Willing et al.

* cited by examiner

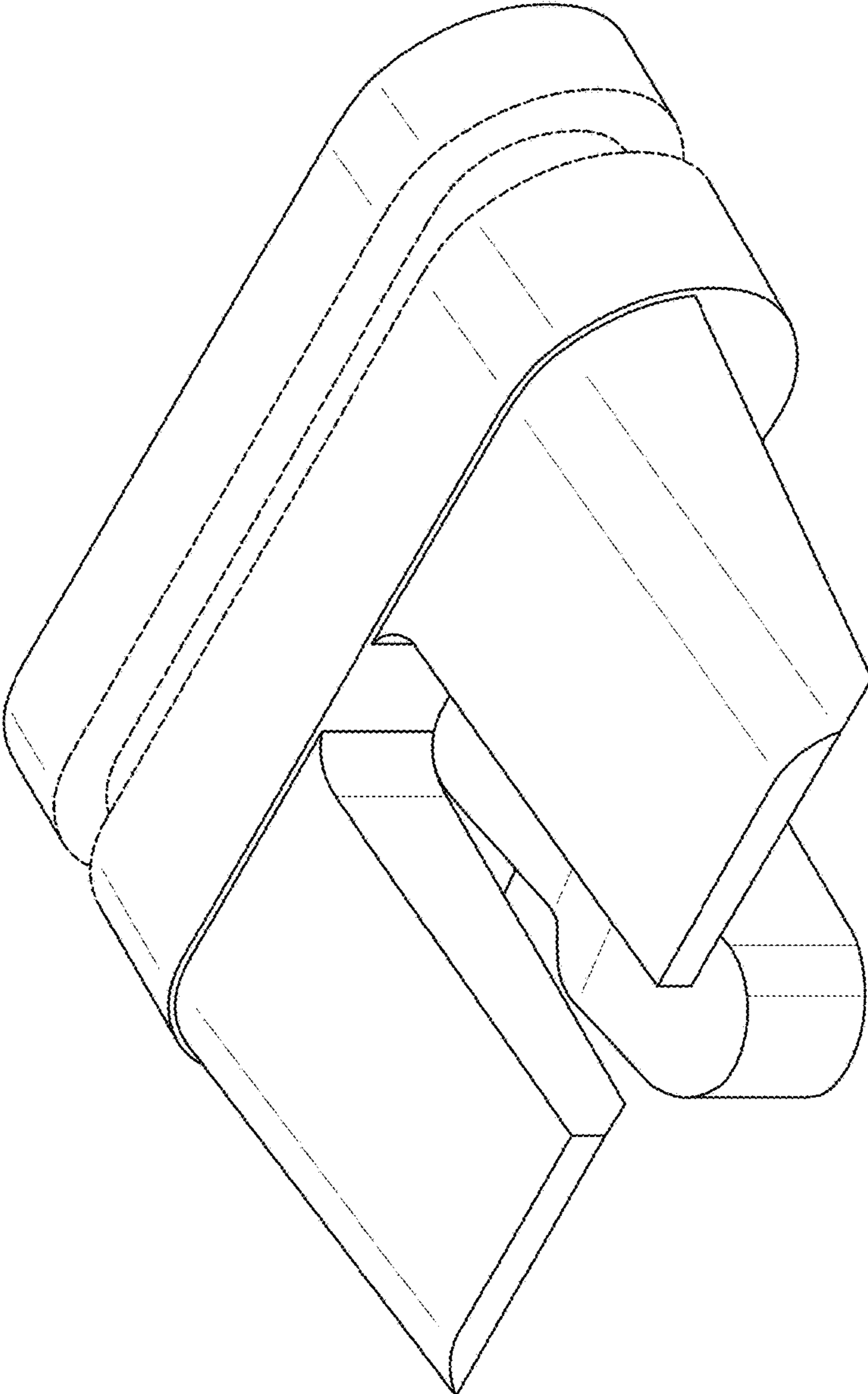


FIG.1

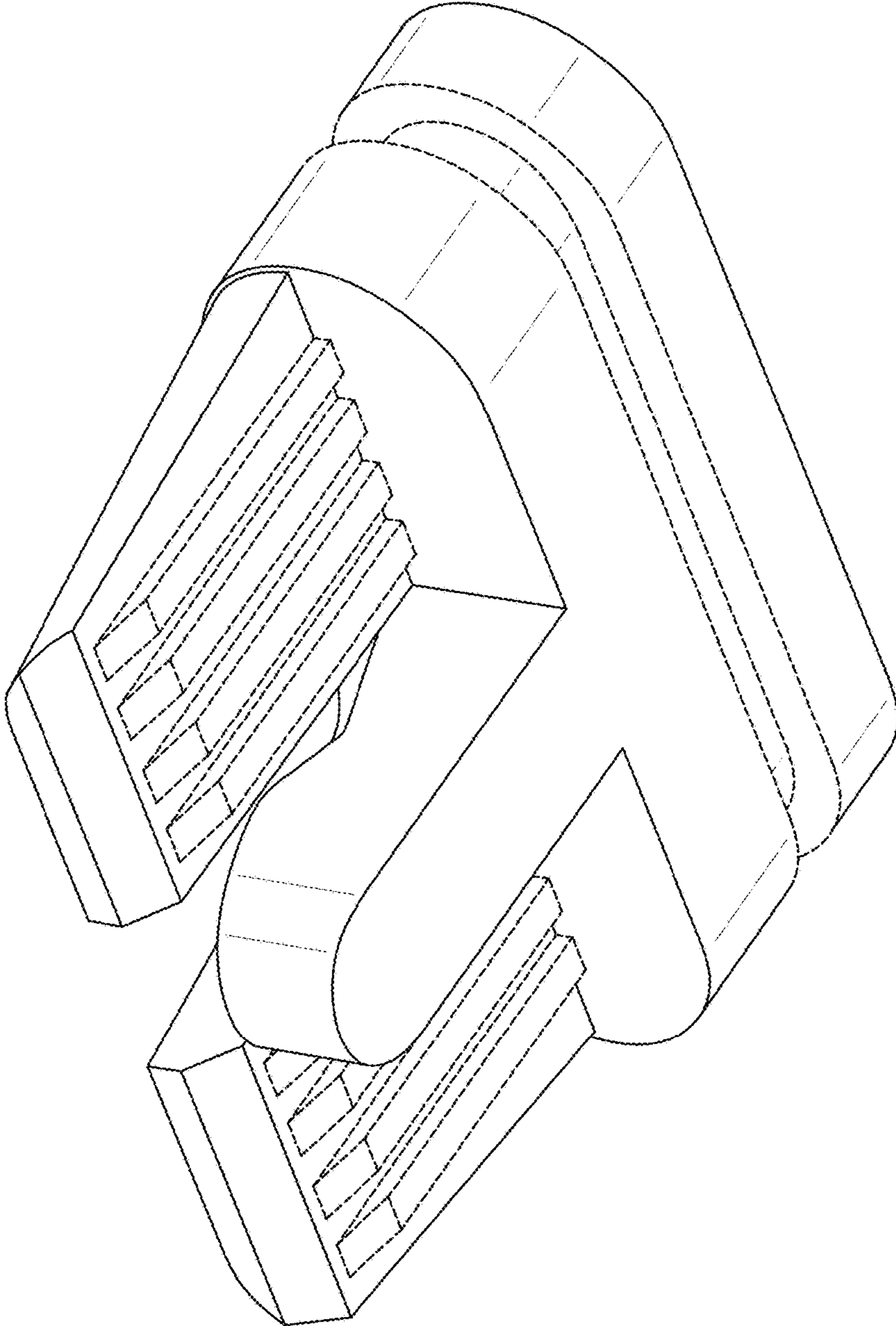


FIG.2

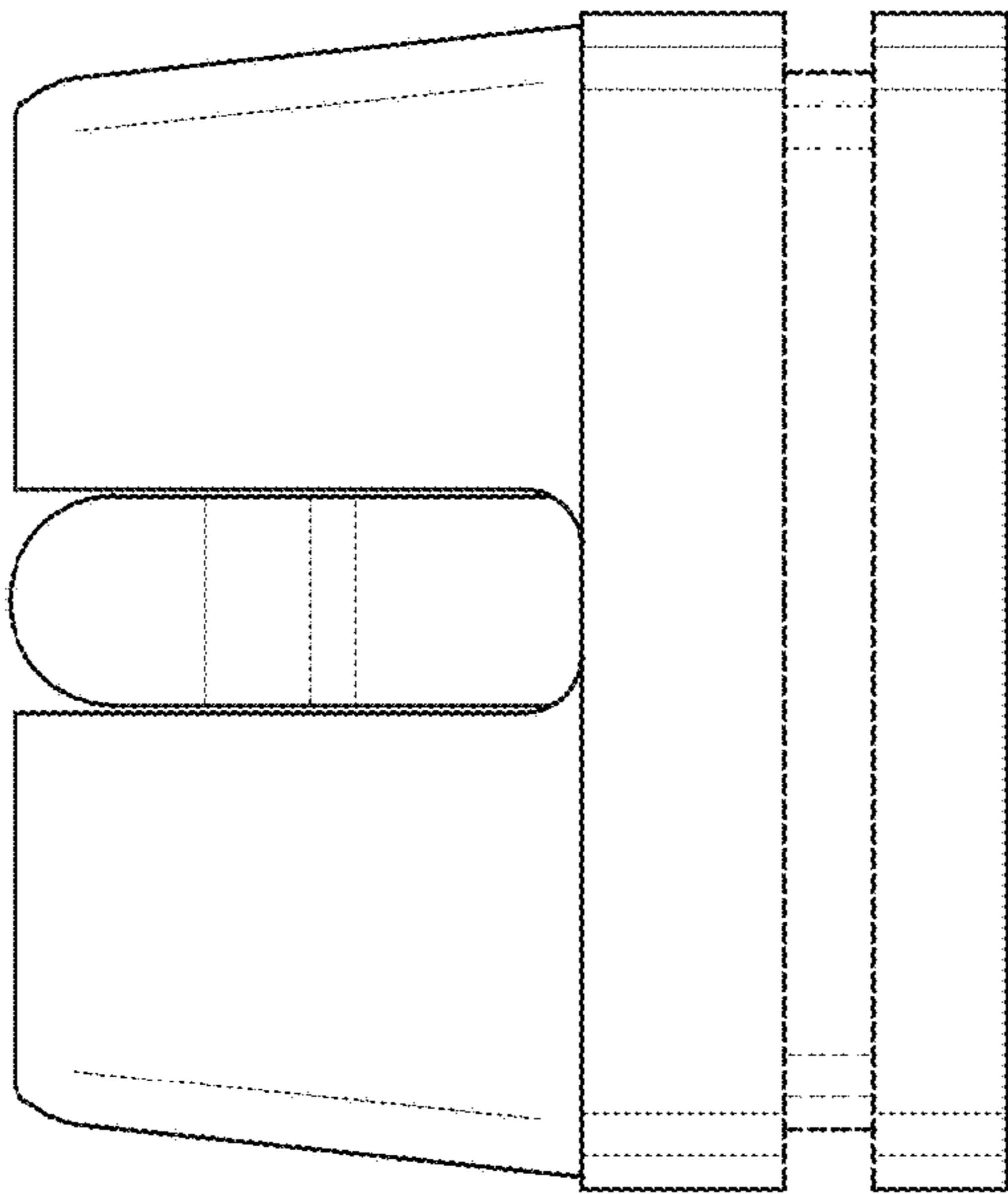


FIG.3

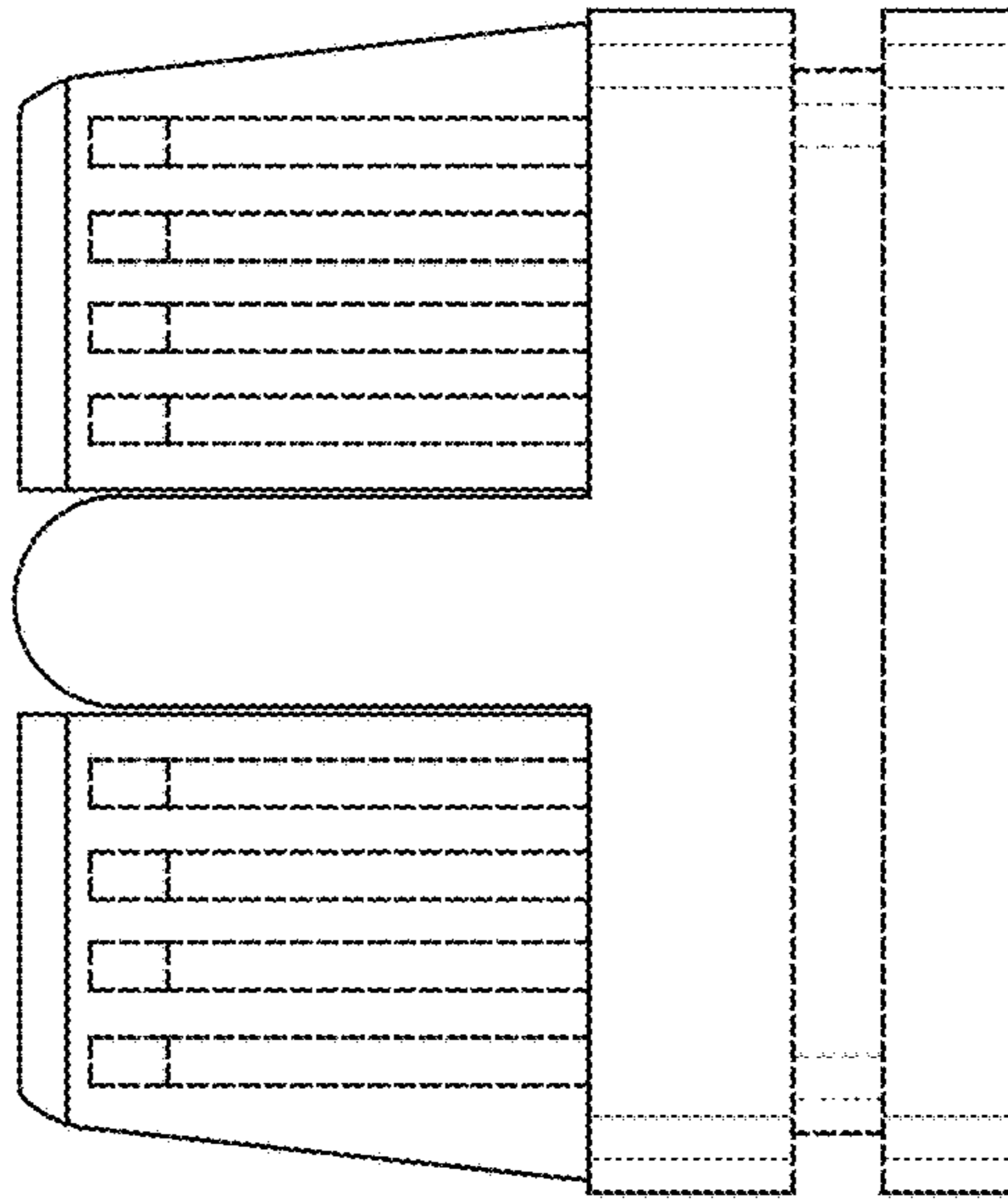


FIG.4

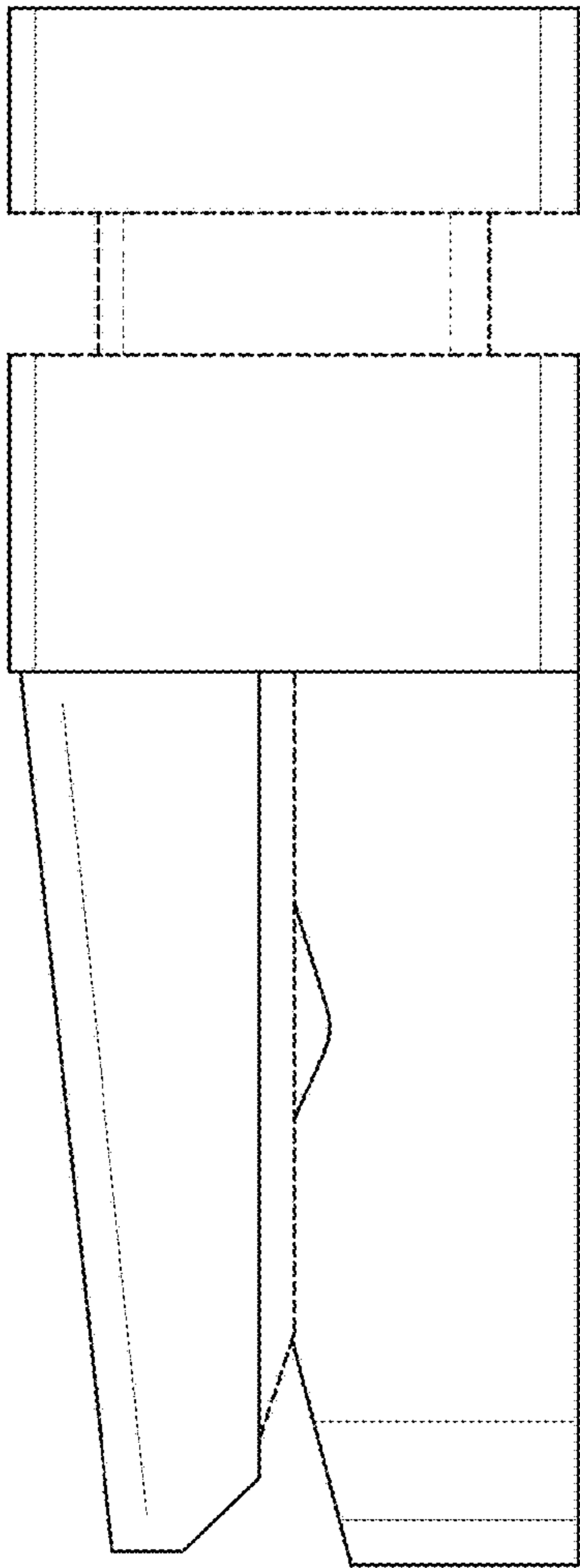


FIG.5

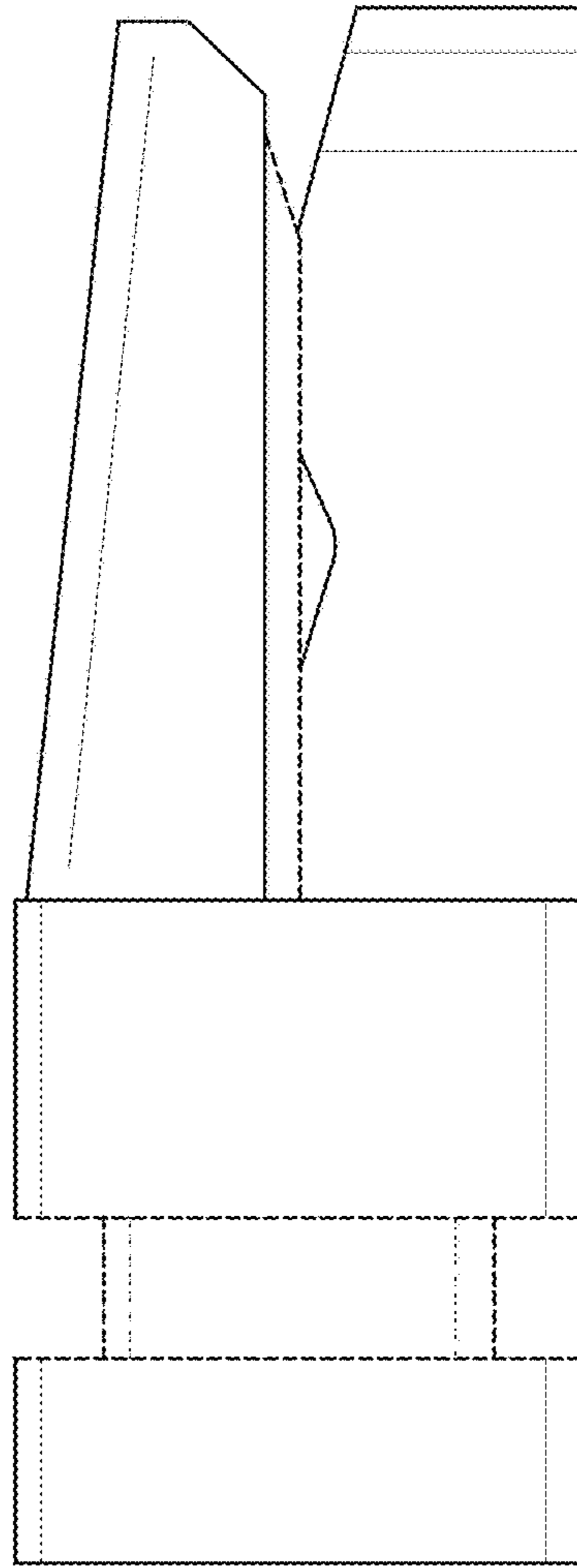


FIG.6

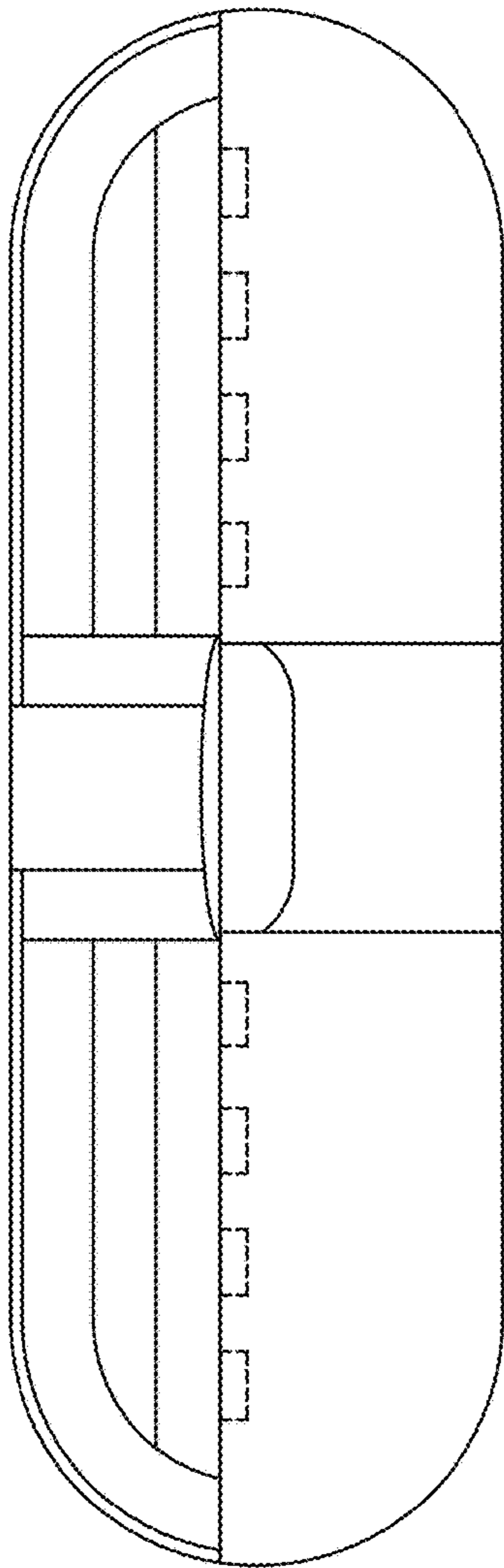


FIG.7

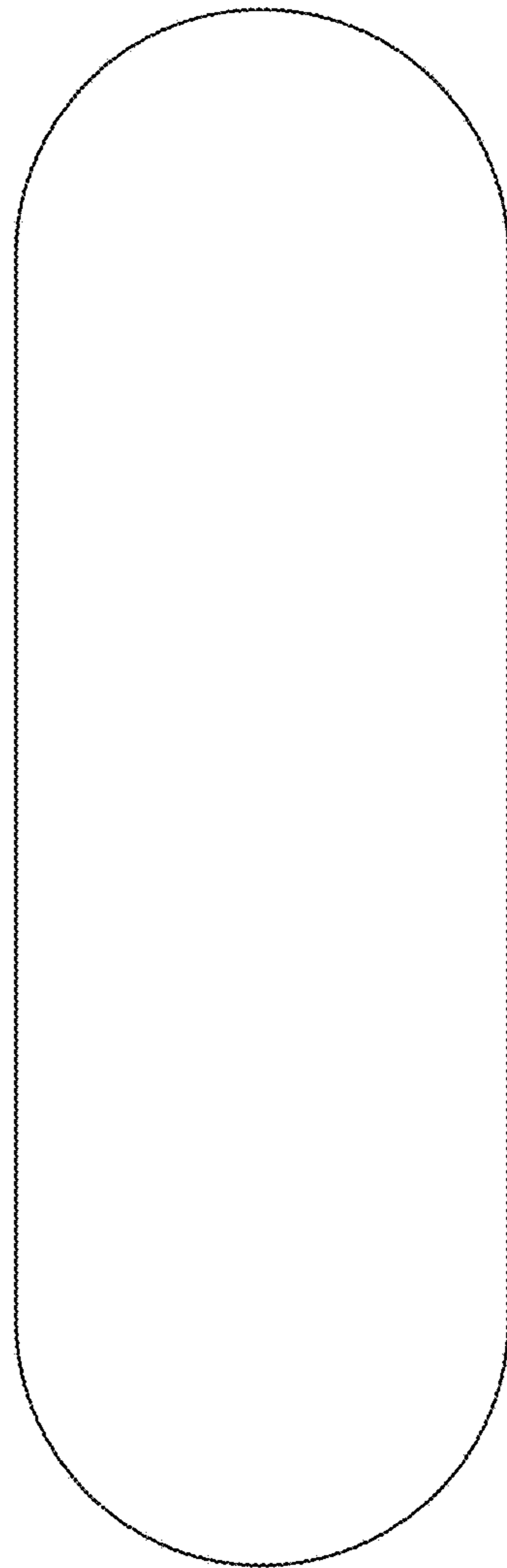


FIG.8

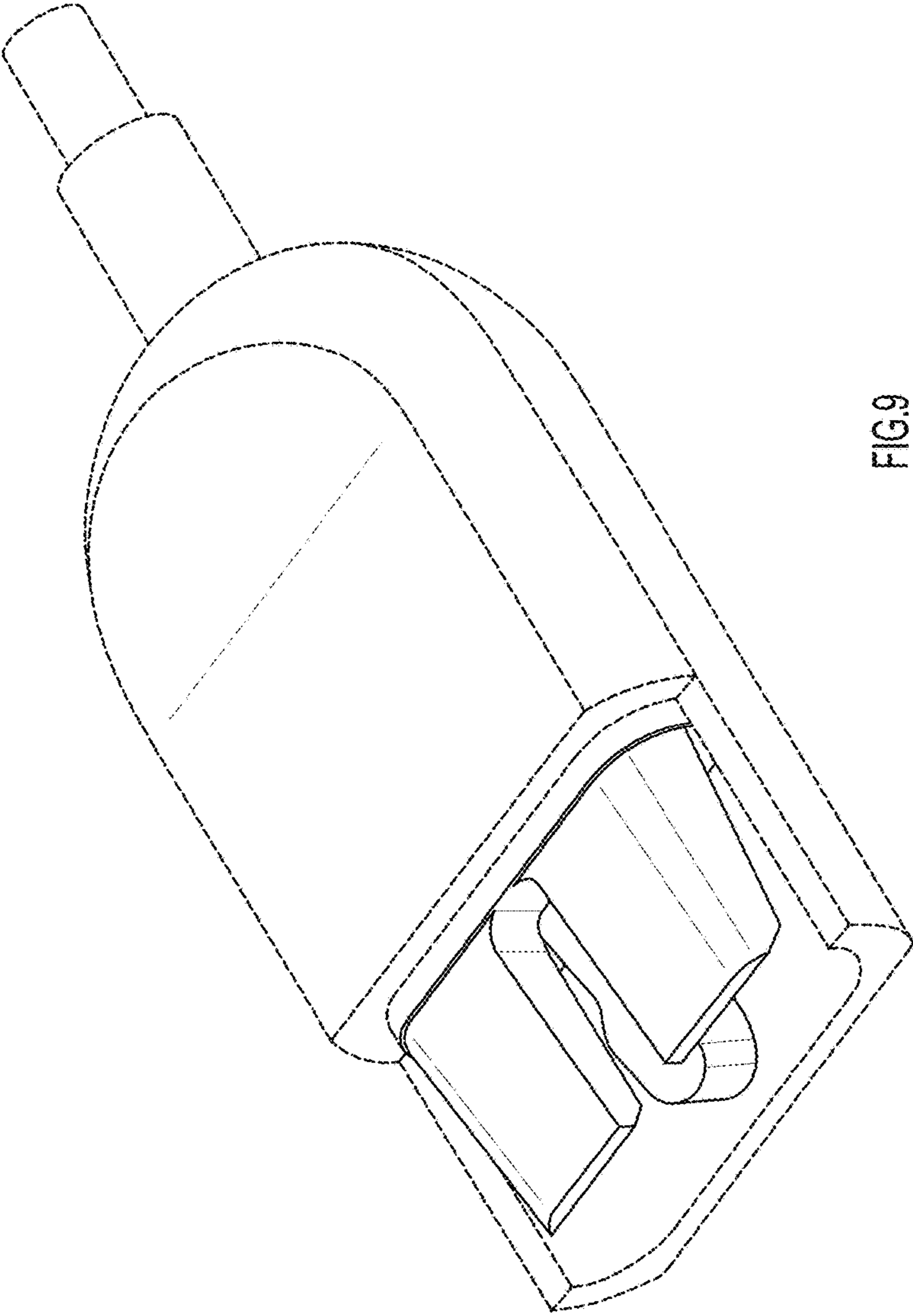


FIG. 9

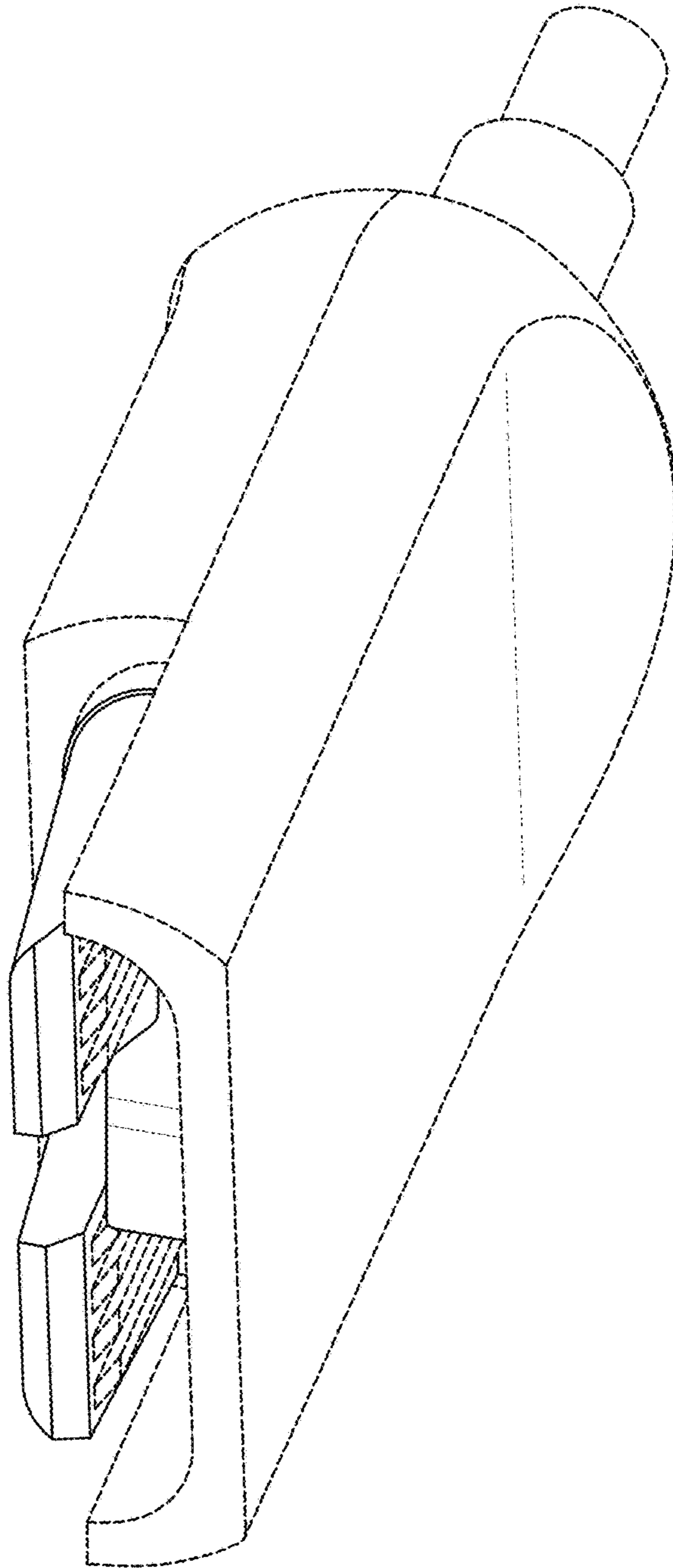


FIG.10

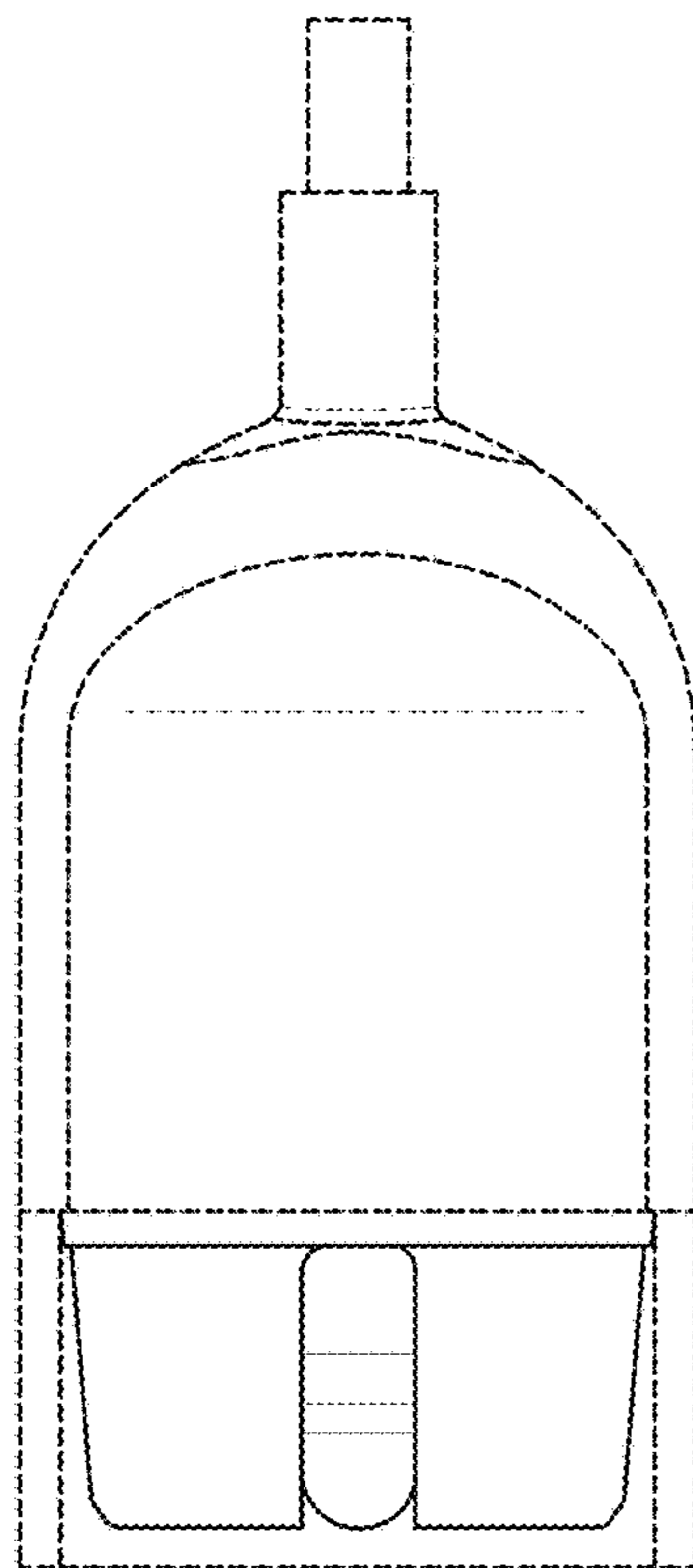


FIG.11

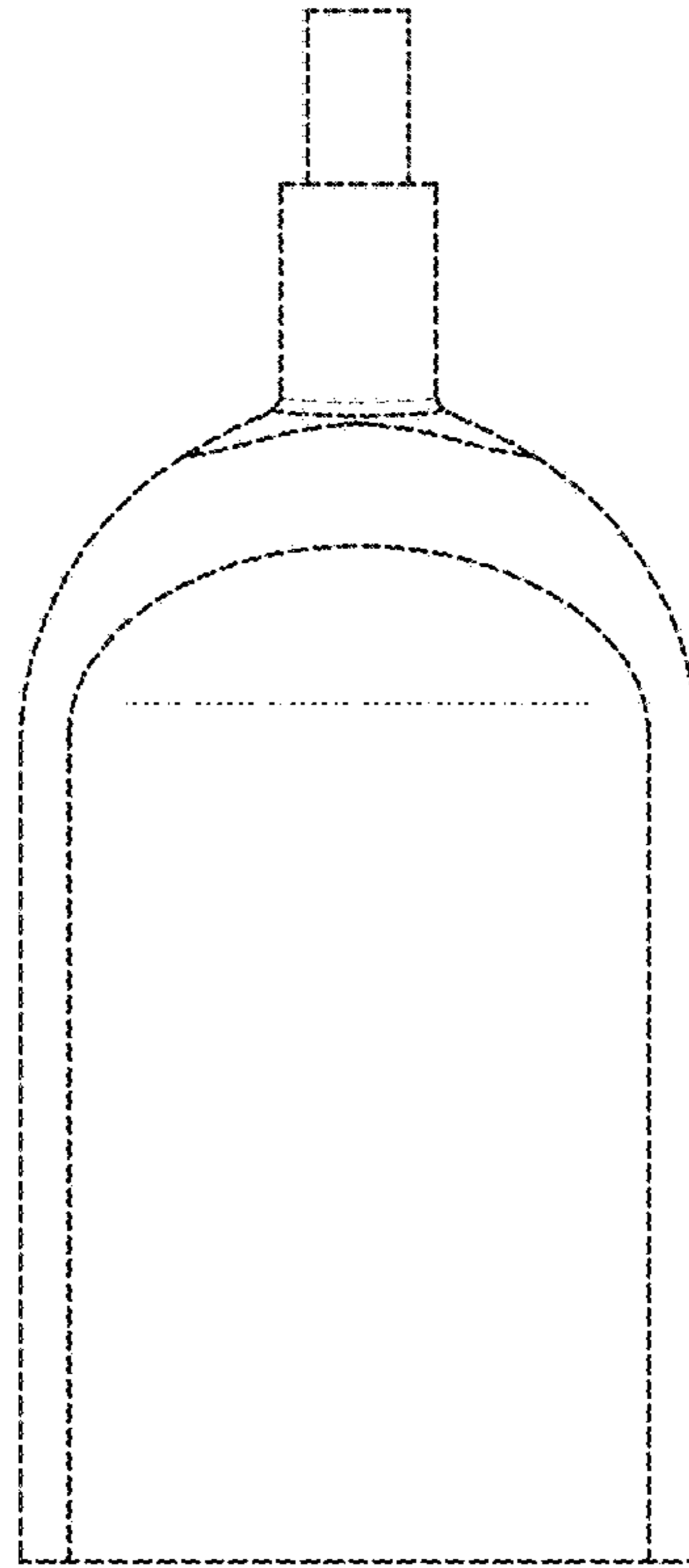


FIG.12

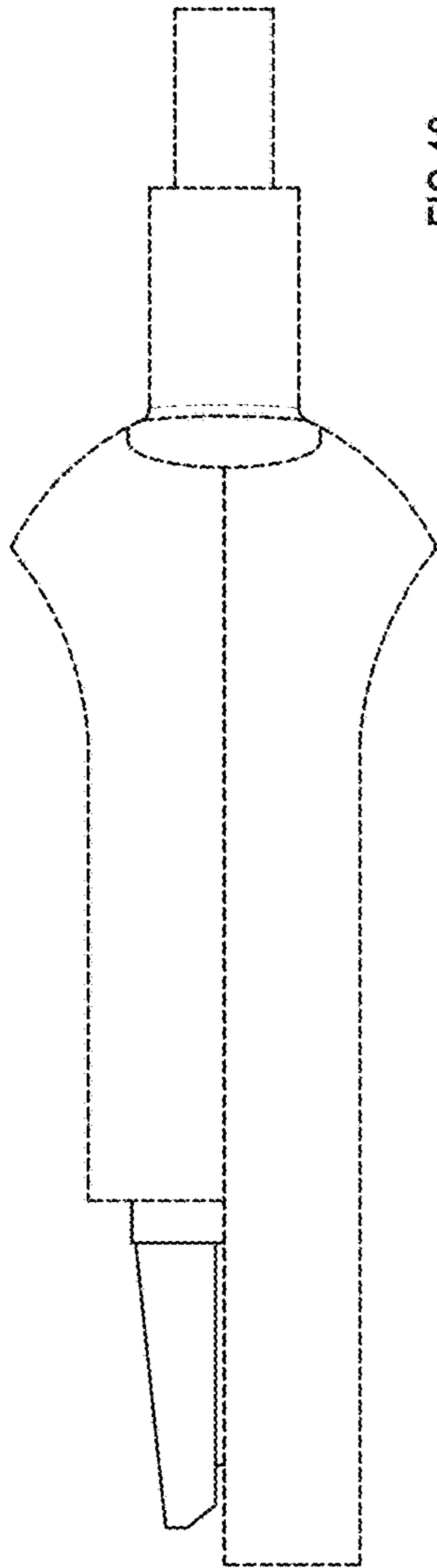


FIG.13

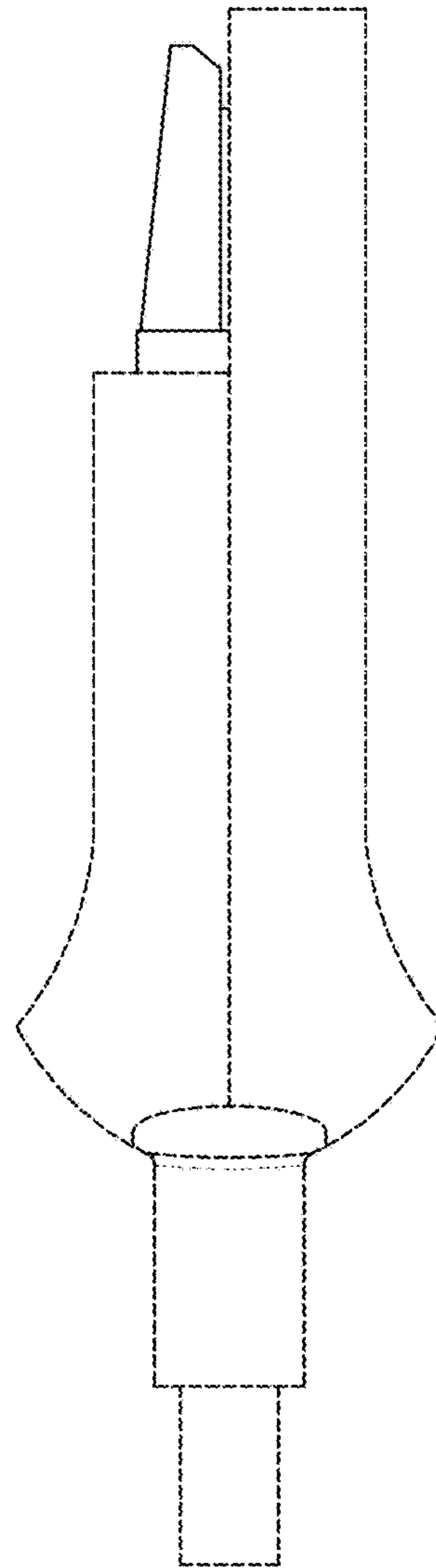


FIG.14

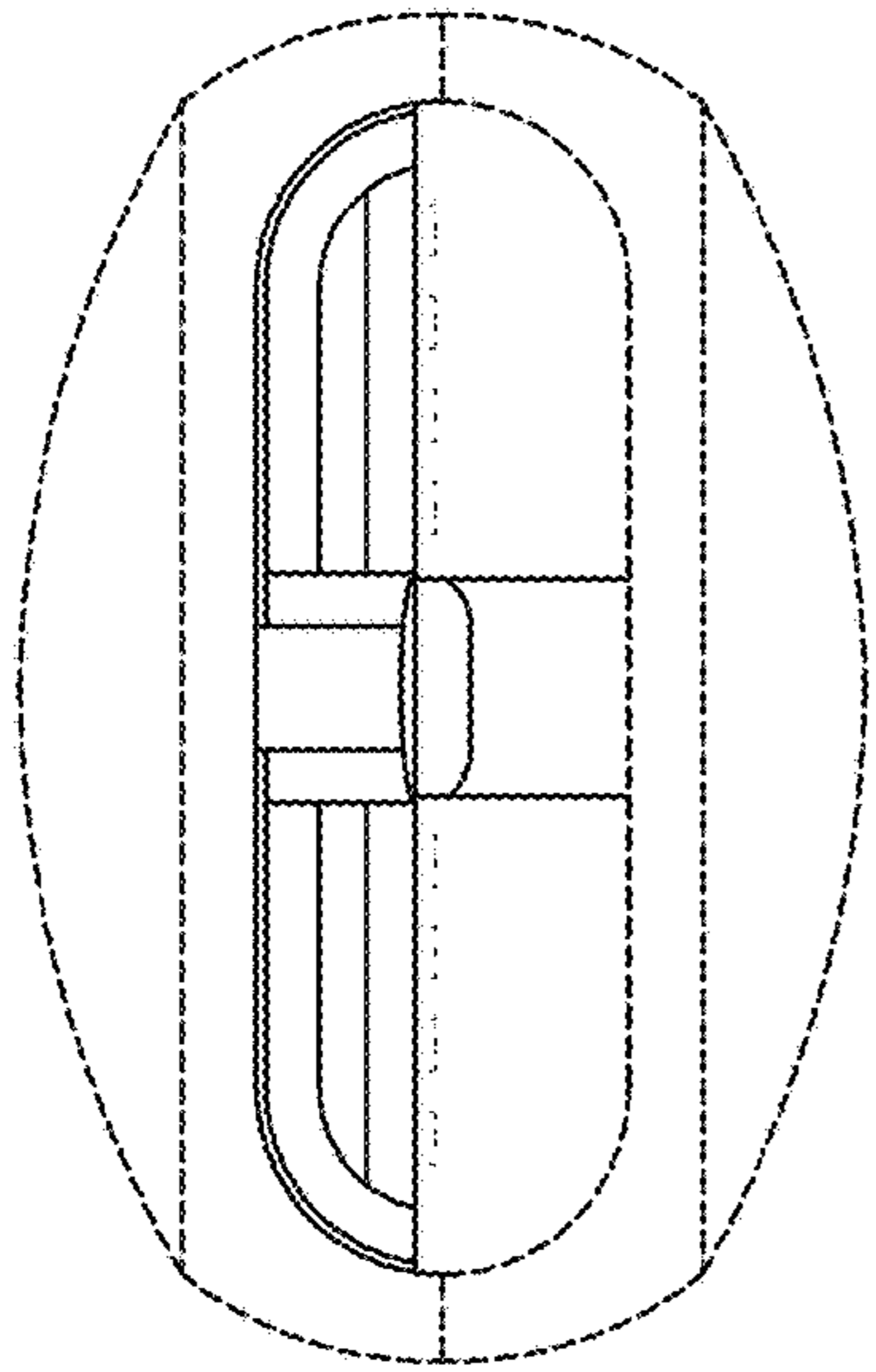


FIG. 15

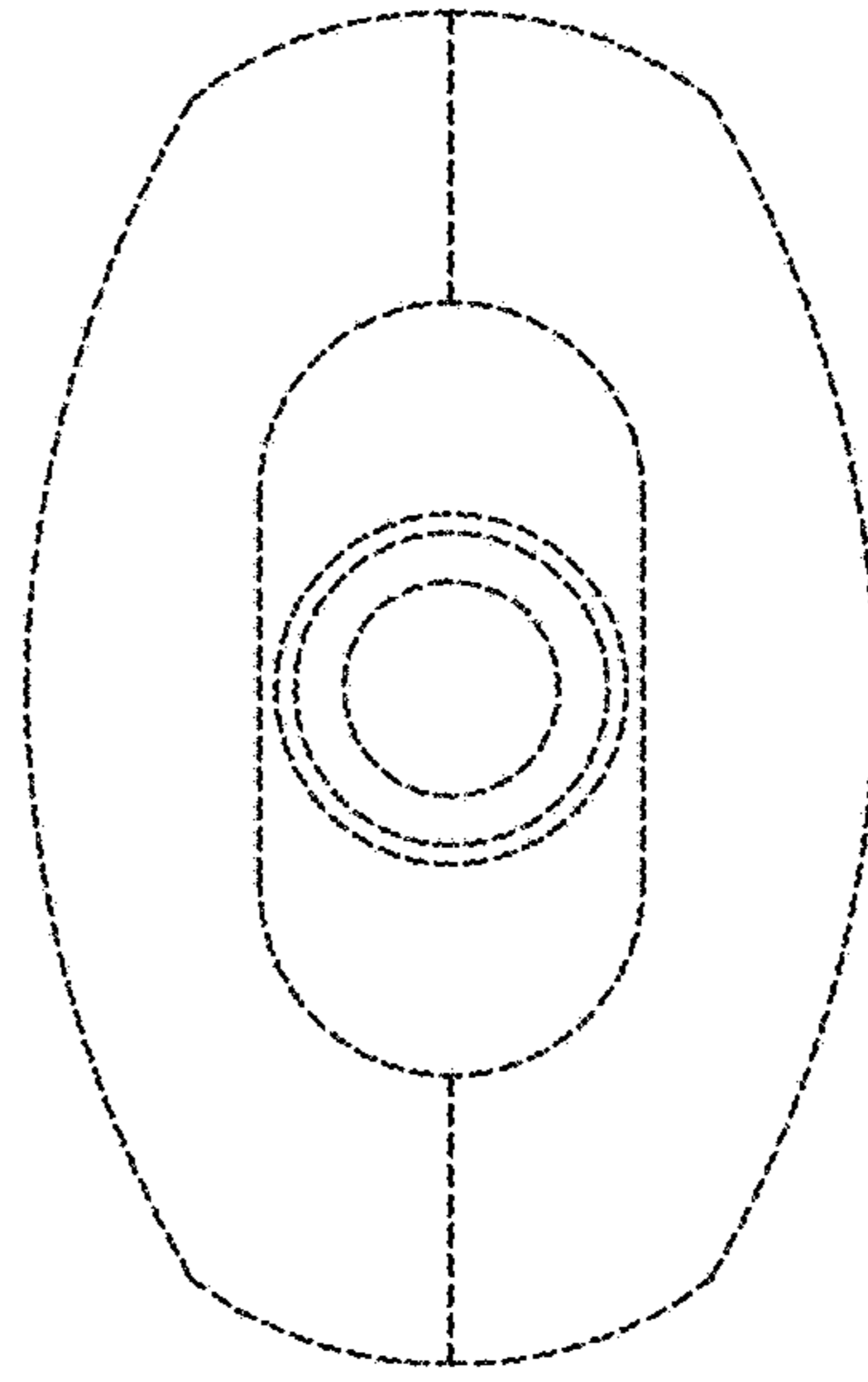


FIG. 16