



US00D865677S

(12) **United States Design Patent**
Bessmertnyy

(10) **Patent No.:** **US D865,677 S**

(45) **Date of Patent:** **** Nov. 5, 2019**

(54) **USB CONNECTOR FOR RACKS, SECTIONS AND PANEL DEVICES, APPLICABLE TO STANDARDS OF USB2.0 / USB3.0, TYPE A**

D677,621 S * 3/2013 Beroukas D13/107
D752,512 S * 3/2016 Dorn D13/107
2018/0013229 A1* 1/2018 Goulden H01R 13/5219

(71) Applicant: **Vladimir Bessmertnyy**, Moscow (RU)

(72) Inventor: **Vladimir Bessmertnyy**, Moscow (RU)

(73) Assignee: **Vladimir Bessmertnyy**, Moscow (RU)

(**) Term: **15 Years**

(21) Appl. No.: **29/642,144**

(22) Filed: **Mar. 28, 2018**

(51) **LOC (12) Cl.** **13-03**

(52) **U.S. Cl.**
USPC **D13/147**

(58) **Field of Classification Search**
USPC D13/146, 147, 123, 133, 137.1–139.8,
D13/154; D14/433
CPC H01R 13/504; H01R 13/447; H01R
13/6594; H01R 13/52; H01R 24/64;
H01R 24/62; H01R 12/714; H01R
13/506; H01R 13/6658
See application file for complete search history.

(56) **References Cited**

U.S. PATENT DOCUMENTS

D316,399 S * 4/1991 Wharton D13/133
D350,727 S * 9/1994 Landry D13/146
D413,102 S * 8/1999 Tsukamoto D13/147
D473,845 S * 4/2003 Bender D13/133
D496,632 S * 9/2004 David D13/147
D496,908 S * 10/2004 Ihde D13/133
D598,374 S * 8/2009 Sasada D13/108
D636,344 S * 4/2011 Naito D13/154
D656,462 S * 3/2012 Urano D13/133

FOREIGN PATENT DOCUMENTS

CN 302279073 * 1/2013
CN 302735875 * 2/2014
EM 000566559-0001 * 9/2006
EM 005658812-0001 * 10/2018
EM 005658812-0002 * 10/2018

OTHER PUBLICATIONS

RS Pro 4 Port Panel Mount Type A USB Connector, [online],
[retrieved on Aug. 29, 2019]. Retrieved from Internet ,<URL:
<https://uk.rs-online.com/web/p/type-a-usb-connectors/1116760/>>.*

(Continued)

Primary Examiner — Bridget L Eland

(74) *Attorney, Agent, or Firm* — Soroker Agmon
Nordman

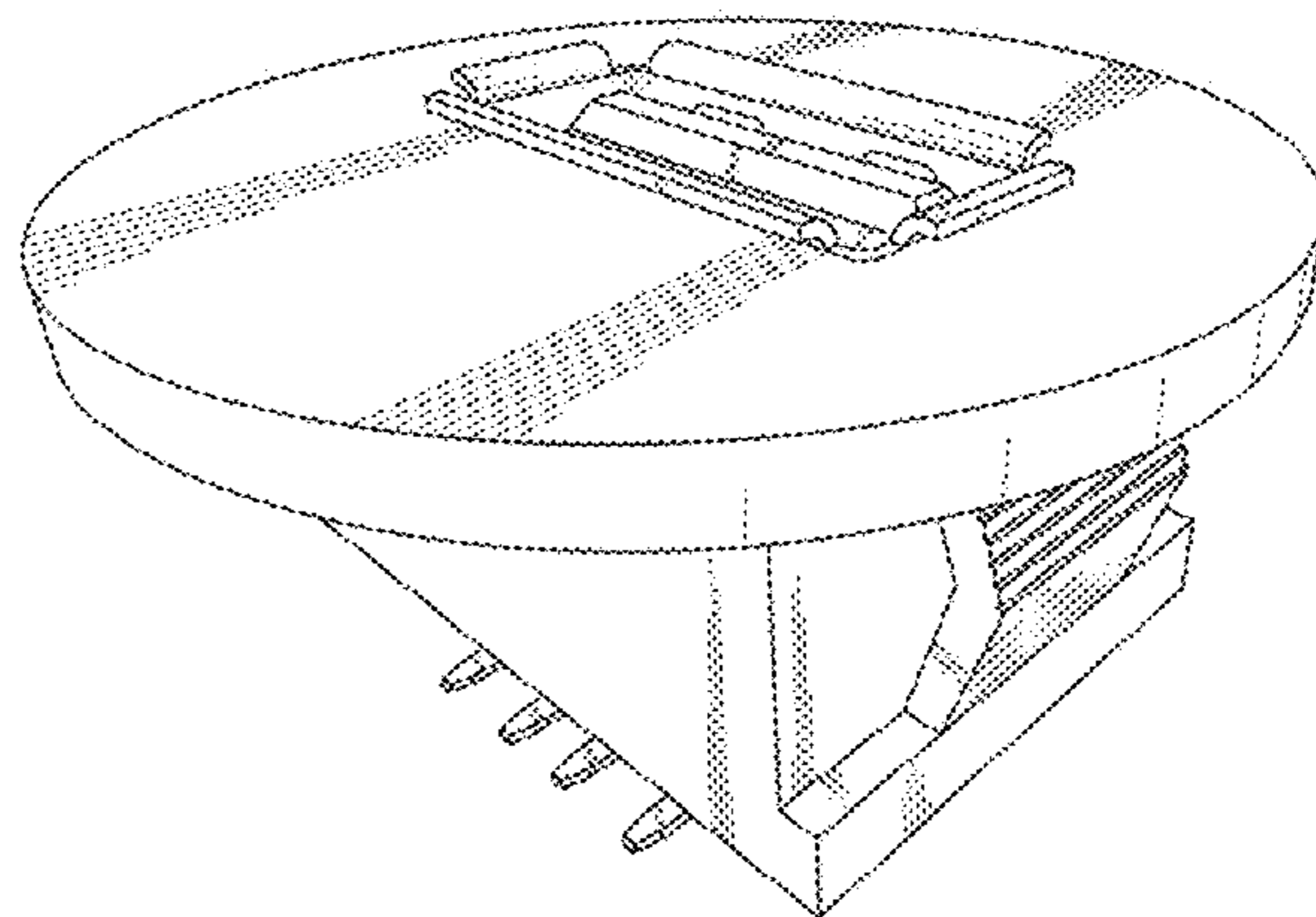
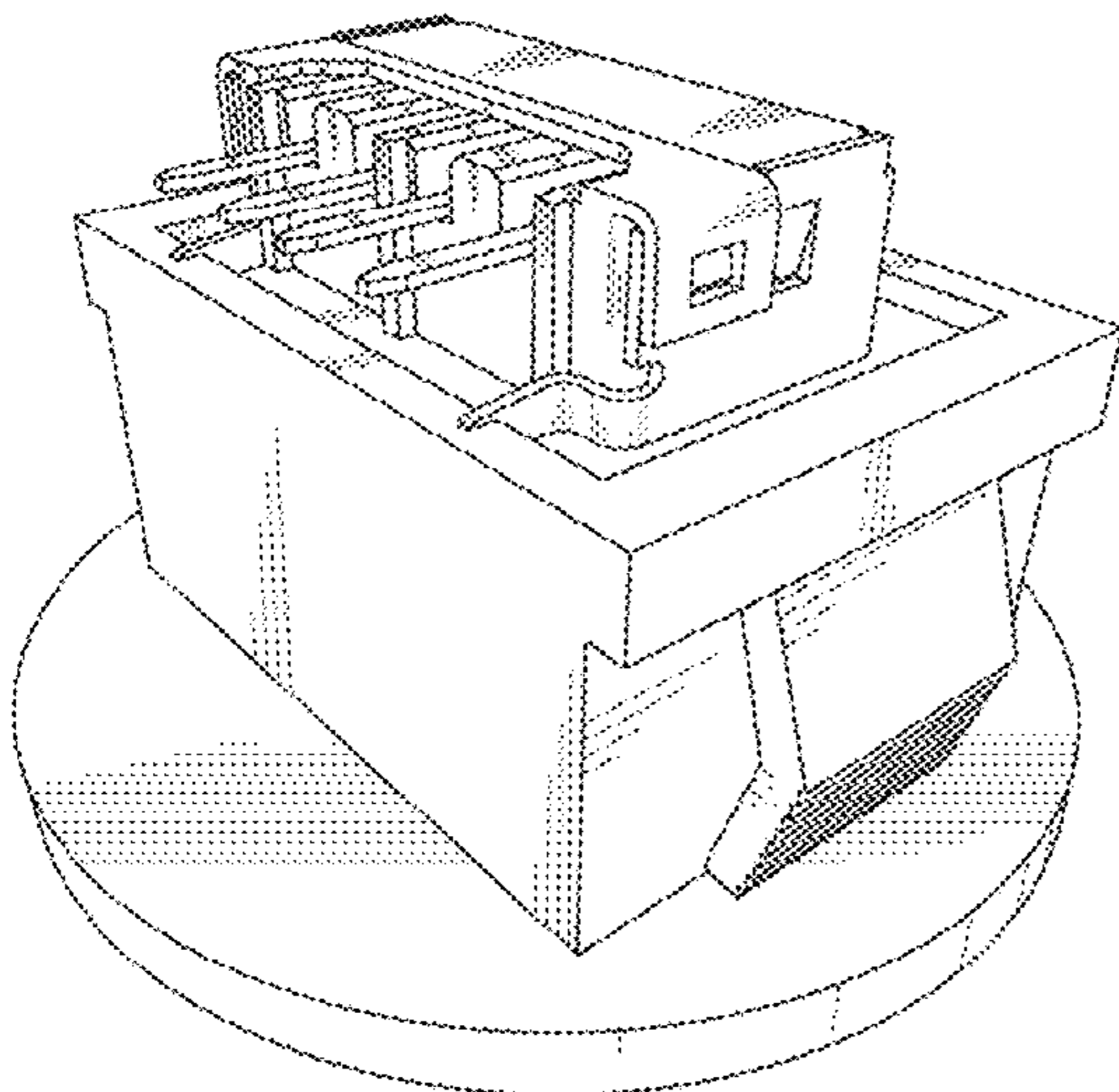
(57) **CLAIM**

The ornamental design for a USB connector for racks,
sections and panel devices, applicable to standards of
USB2.0 / USB3.0, type A, as shown and described.

DESCRIPTION

FIG. 1 is a bottom perspective view of a USB connector for
racks, sections and panel devices, applicable to standards of
USB2.0 / USB3.0, type A, showing my new design;
FIG. 2 is a top perspective view thereof;
FIG. 3 is a rear view thereof;
FIG. 4 is a front view thereof;
FIG. 5 is a left side view thereof. The right side view is a
mirror image of the left side view thereof;
FIG. 6 is a bottom plan view thereof; and,
FIG. 7 is a top plan view thereof.

1 Claim, 4 Drawing Sheets



(56)

References Cited

OTHER PUBLICATIONS

Harting har-Port Series, Panel Mount, Version 2.0 USB Connector, [online], [retrieved on Aug. 29, 2019]. Retrieved from Internet, <URL: <https://uk.rs-online.com/web/p/type-a-usb-connectors/7658748/>>.*

Black Metal Feedthrough Data Connectors in XLR Shell, [online], [retrieved on Aug. 29, 2019]. Retrieved from Internet, <URL: <https://www.cliffuk.co.uk/products/feedthrough/metalblack/index.htm>>.*

* cited by examiner

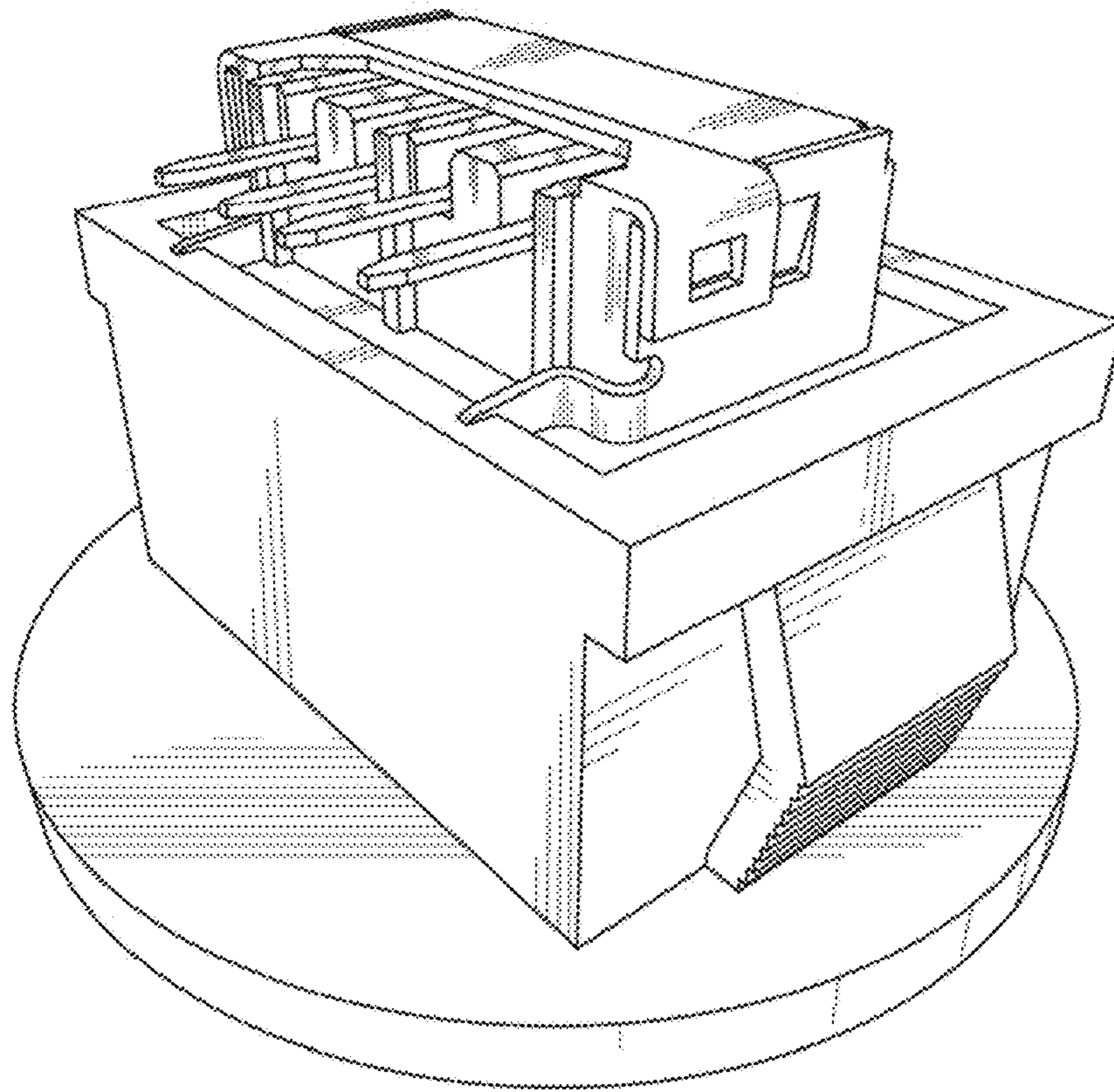


FIG. 1

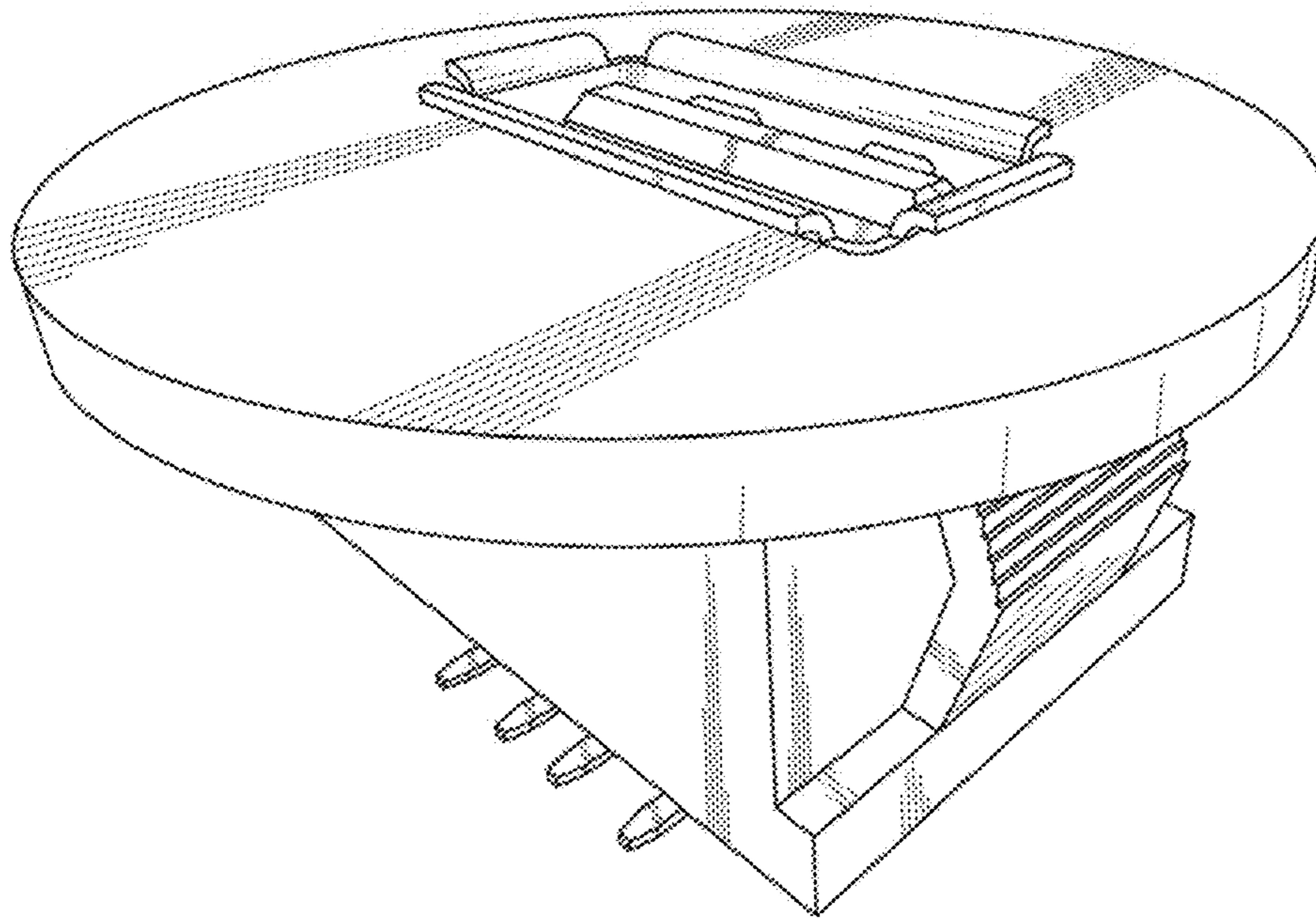


FIG. 2

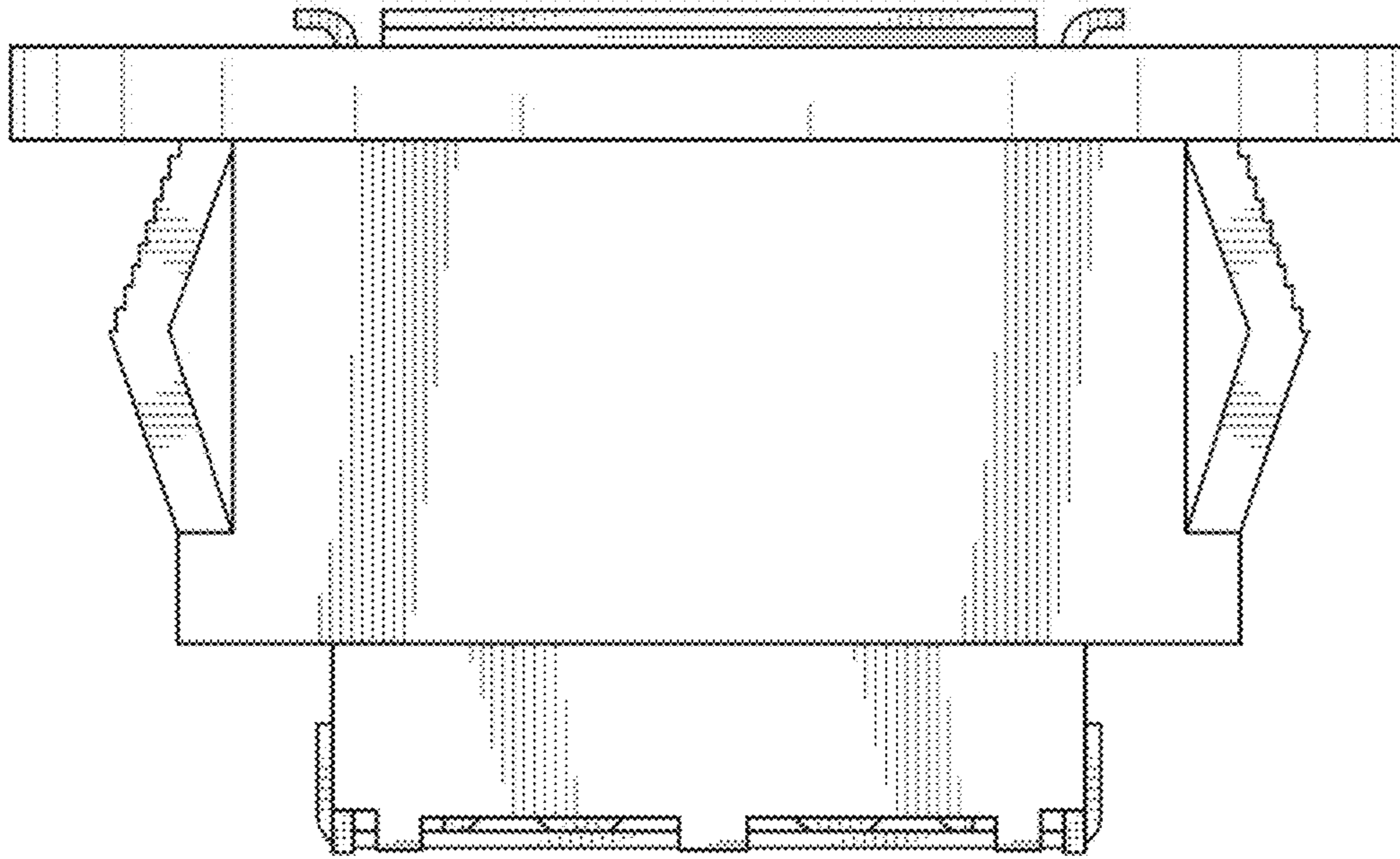


FIG. 3

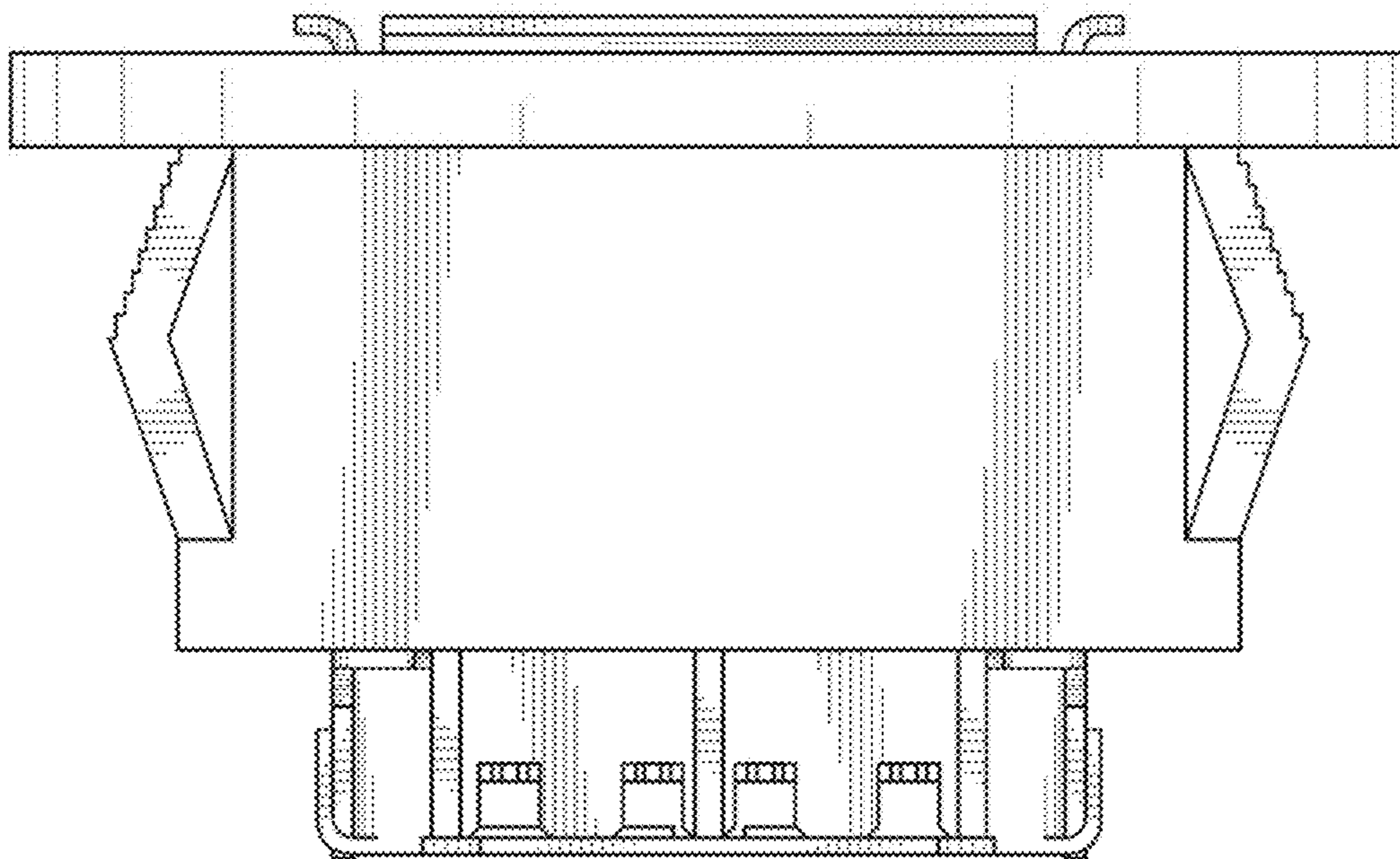


FIG. 4

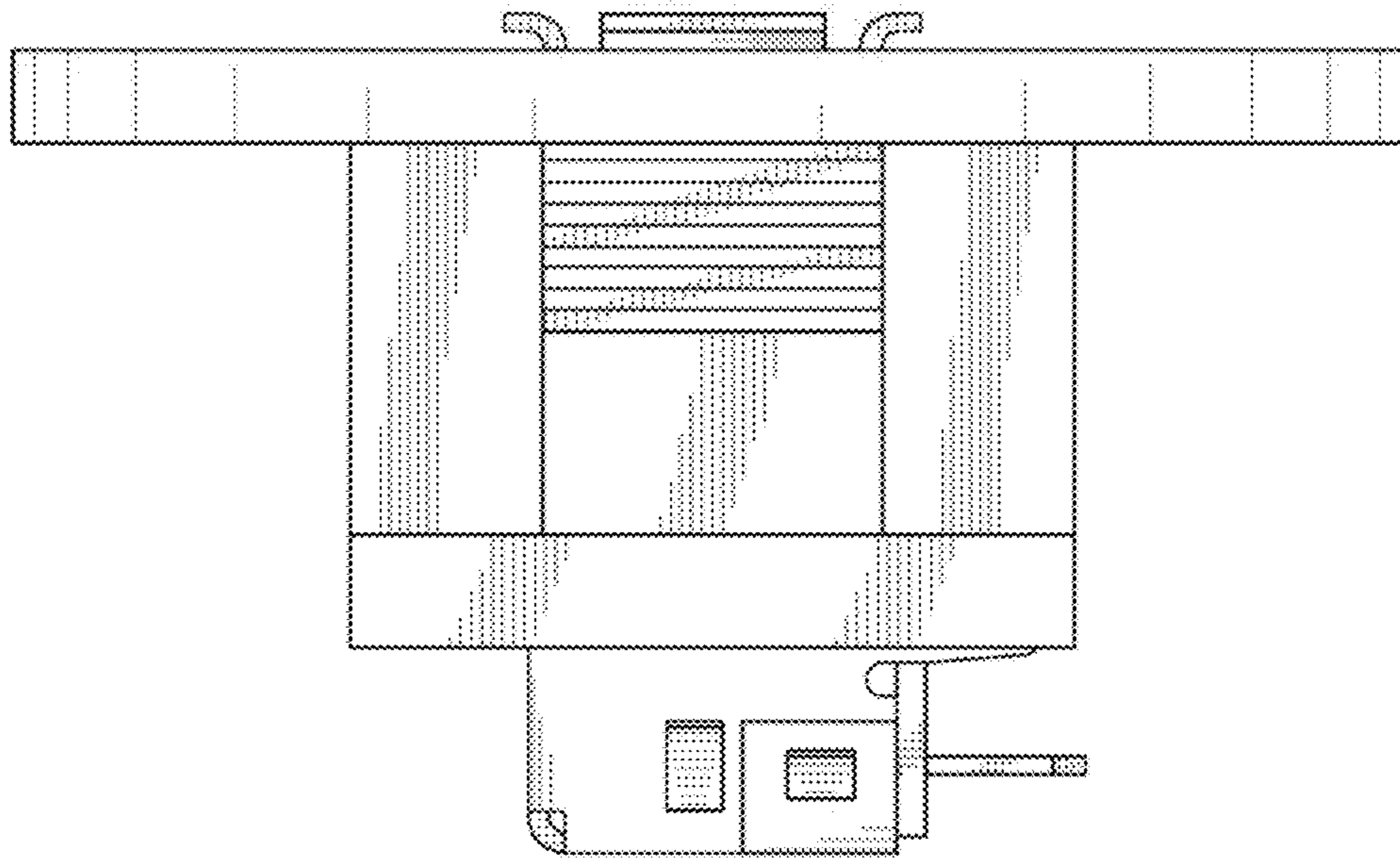


FIG. 5

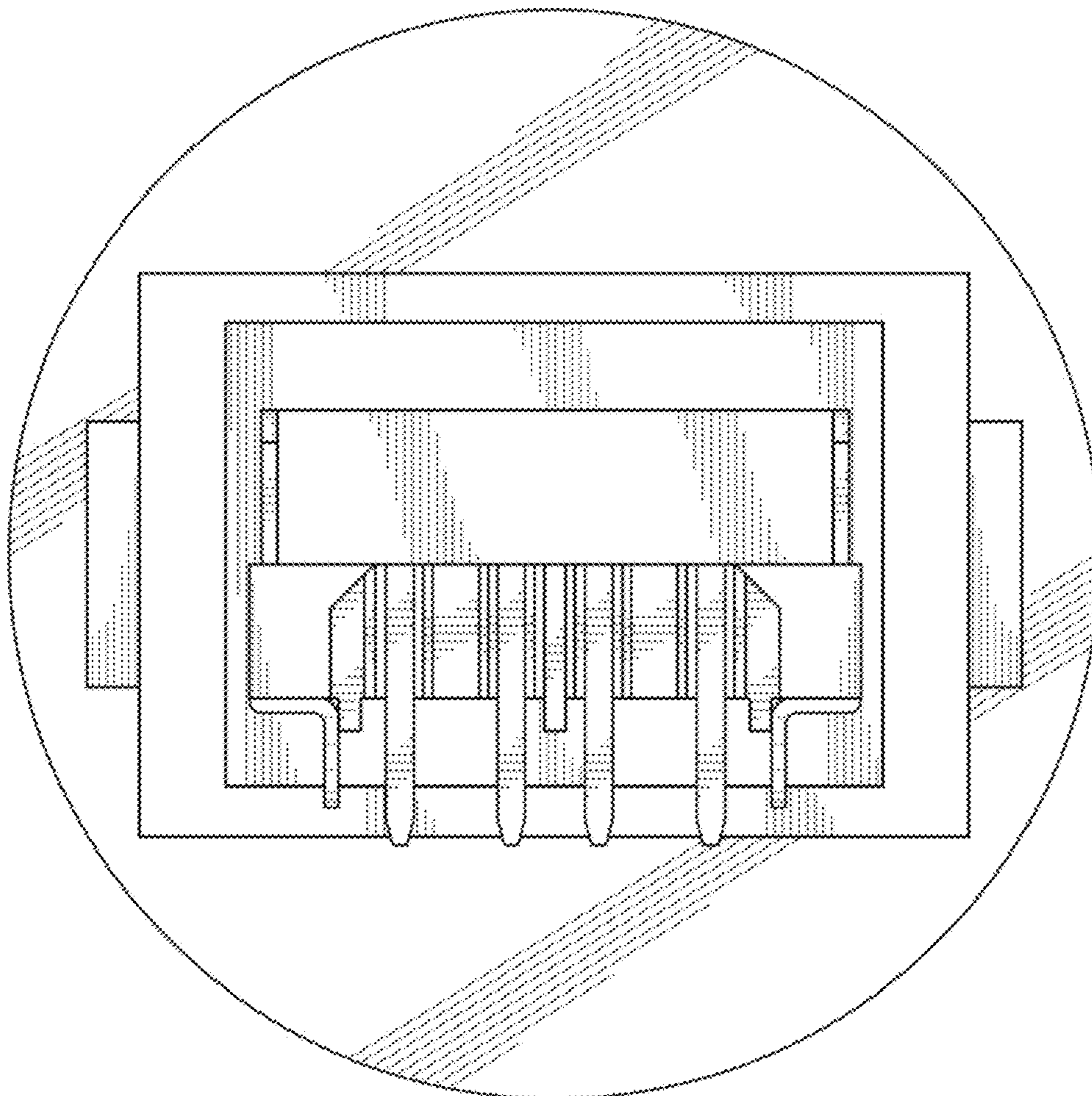


FIG. 6

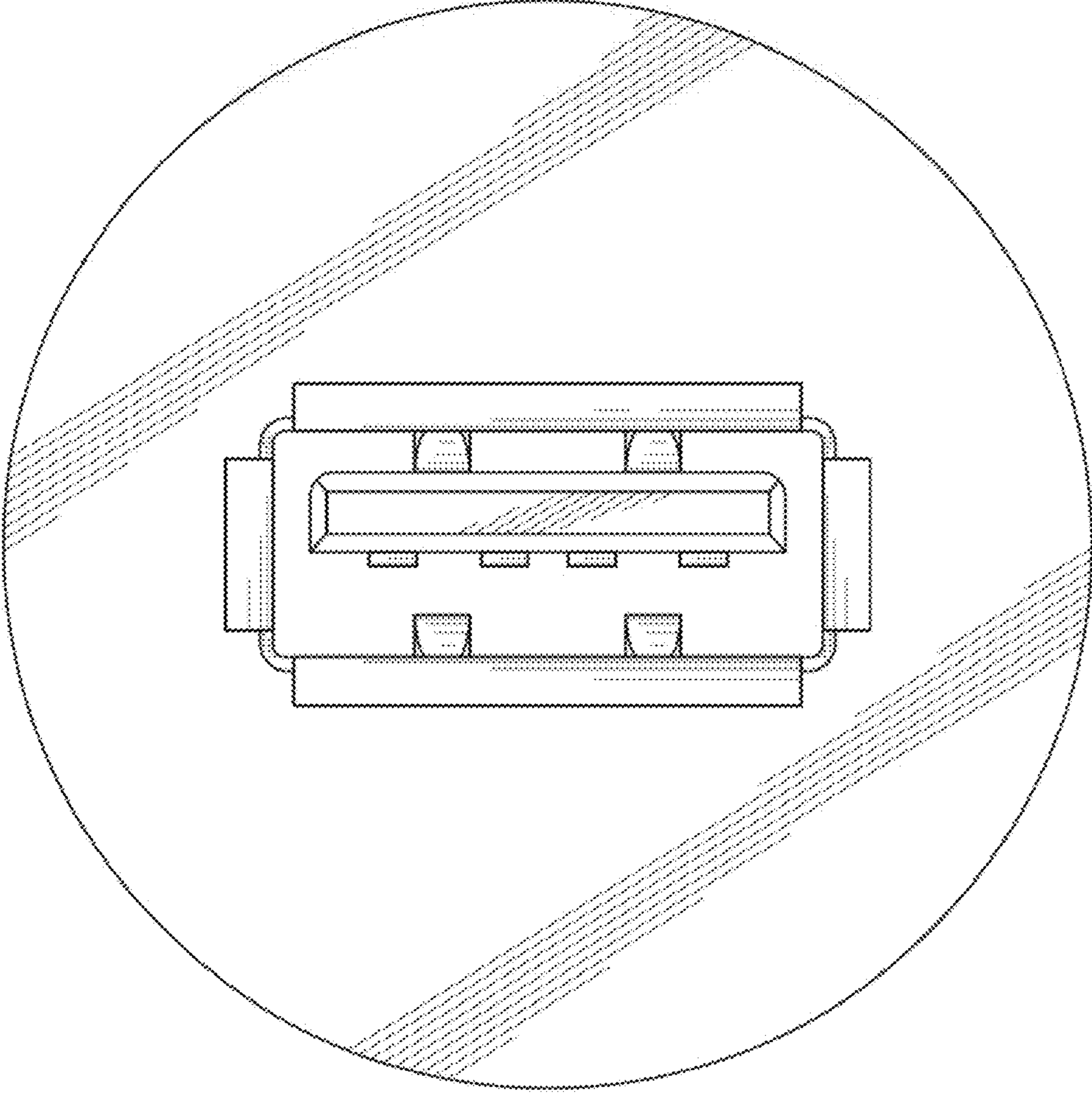


FIG. 7