



US00D865676S

(12) **United States Design Patent** (10) **Patent No.:** **US D865,676 S**
Liao (45) **Date of Patent:** **** Nov. 5, 2019**

- (54) **MULTI-PORT TYPE-C ADAPTER**
- (71) Applicant: **Gopod Group Ltd.**,
Shenzhen/Guangdong (CN)
- (72) Inventor: **Zhuowen Liao**, Shenzhen (CN)
- (73) Assignee: **Gopod Group Ltd.** (CN)
- (**) Term: **15 Years**
- (21) Appl. No.: **29/641,586**
- (22) Filed: **Mar. 23, 2018**
- (51) **LOC (12) Cl.** **13-03**
- (52) **U.S. Cl.**
USPC **D13/147**; D14/433
- (58) **Field of Classification Search**
USPC D13/146, 147, 123, 133, 137.1-139.8,
D13/154, 153; D14/433, 435.1, 358
CPC H02J 7/0052; H02J 7/007; H02J 7/0077;
H02J 2007/0096; H02J 2007/0062; G06F
13/4282; G06F 13/385; G06F 13/4022;
G06F 11/221; G06F 11/2294; G06F
11/3051; G06F 1/3206; G06F 1/3253
See application file for complete search history.

(56) **References Cited**

U.S. PATENT DOCUMENTS

D436,927 S	*	1/2001	Hogan	D13/147
D699,188 S	*	2/2014	Akana	D13/147
D707,180 S	*	6/2014	Yi	D13/147
D714,728 S	*	10/2014	Gentil	D13/147
D798,811 S	*	10/2017	Liao	D13/110
D817,889 S	*	5/2018	Akana	D13/147
D828,839 S	*	9/2018	Zhang	D14/433
D833,445 S	*	11/2018	Xie	D14/433
D839,837 S	*	2/2019	Akana	D13/147
D841,007 S	*	2/2019	Xie	D14/433
D847,139 S	*	4/2019	Wang	D14/433
D853,397 S	*	7/2019	Wang	D14/435.1
D854,020 S	*	7/2019	Liao	D14/434

FOREIGN PATENT DOCUMENTS

KR 300990478 * 1/2019

OTHER PUBLICATIONS

VSTM USB C Hub, published Jul. 10, 2018, [online], [retrieved on Aug. 23, 2019]. Retrieved from Internet ,<URL: https://www.amazon.com/VSTM-Multiport-Ethernet-Charging-Compatible/dp/B07FD87RWH/ref=sr_1_14?keywords=MULTI-PORT+TYPE-C+ADAPTER&qid=1566599724&s=gateway&sr=8-14>.*

Satechi Slim Aluminum Type-C Multi-Port Adapter, published Jul. 26 2016, [online], [retrieved on Aug. 23, 2019]. Retrieved from Internet ,<URL: https://www.amazon.com/Satechi-Aluminum-Multi-Port-Adapter-Charging/dp/B01J4BO0X8/ref=sr_1_6?keywords=MULTI-PORT+TYPE-C+Adapter&qid=1566599724&s=gateway&sr=8-6>.*

USB C Hub Multiport Adapter, published Sep. 25, 2018, [online], [retrieved on Aug. 23, 2019]. Retrieved from Internet ,<URL: https://www.amazon.com/dp/B07HNSFDNC/ref=sspa_dk_detail_4?psc=1&spLa=ZW5jcnlwdGVkUXVhbGlmaWVyPUEySU>.*

* cited by examiner

Primary Examiner — Bridget L Eland

(74) *Attorney, Agent, or Firm* — RC Patent Services

(57) **CLAIM**

The ornamental design for a multi-port type-c adapter, as shown and described.

DESCRIPTION

FIG. 1 is a top view of a multi-port type-c adapter showing my new design;

FIG. 2 is a left side view thereof;

FIG. 3 is a right side view thereof;

FIG. 4 is a bottom view thereof;

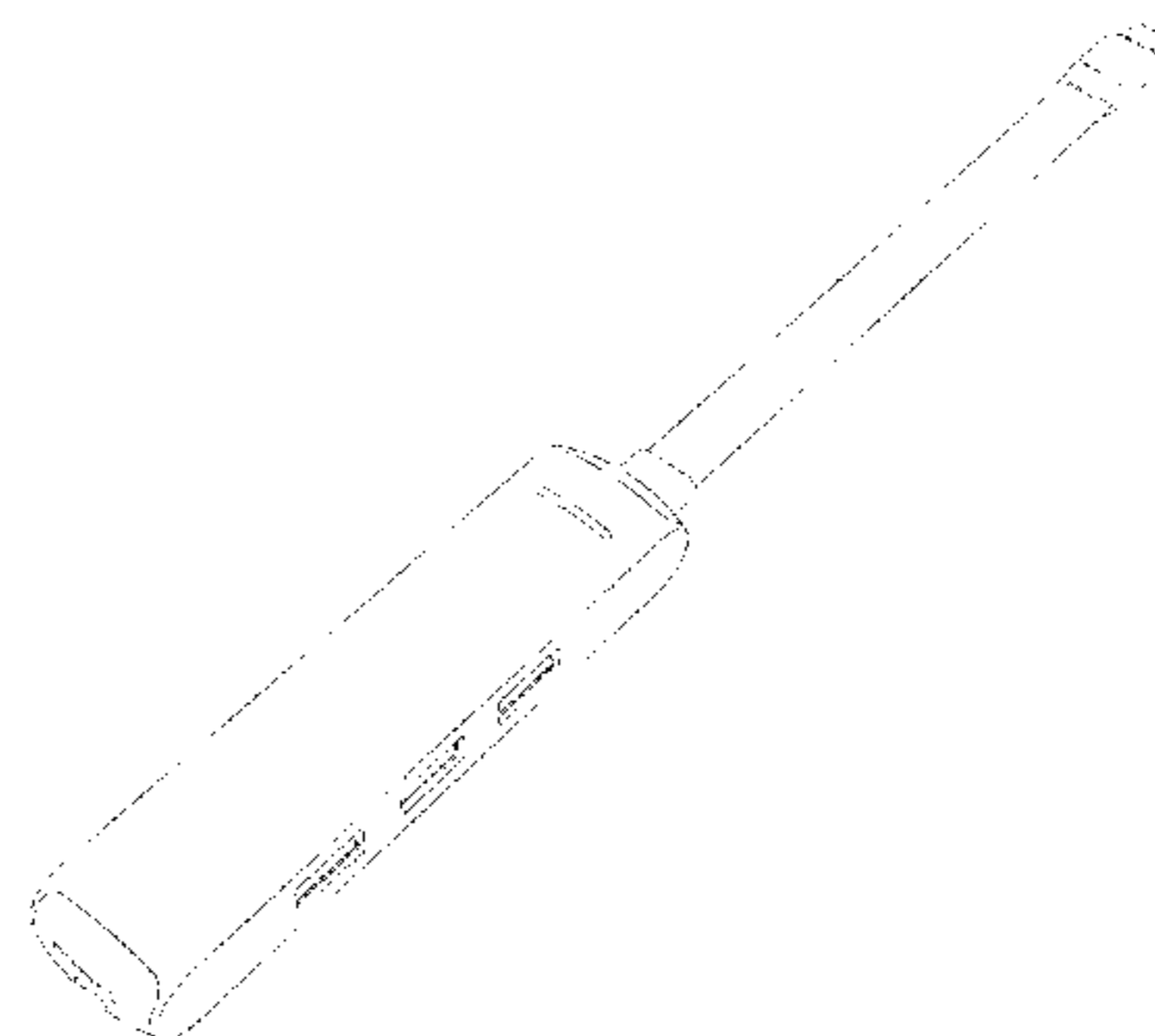
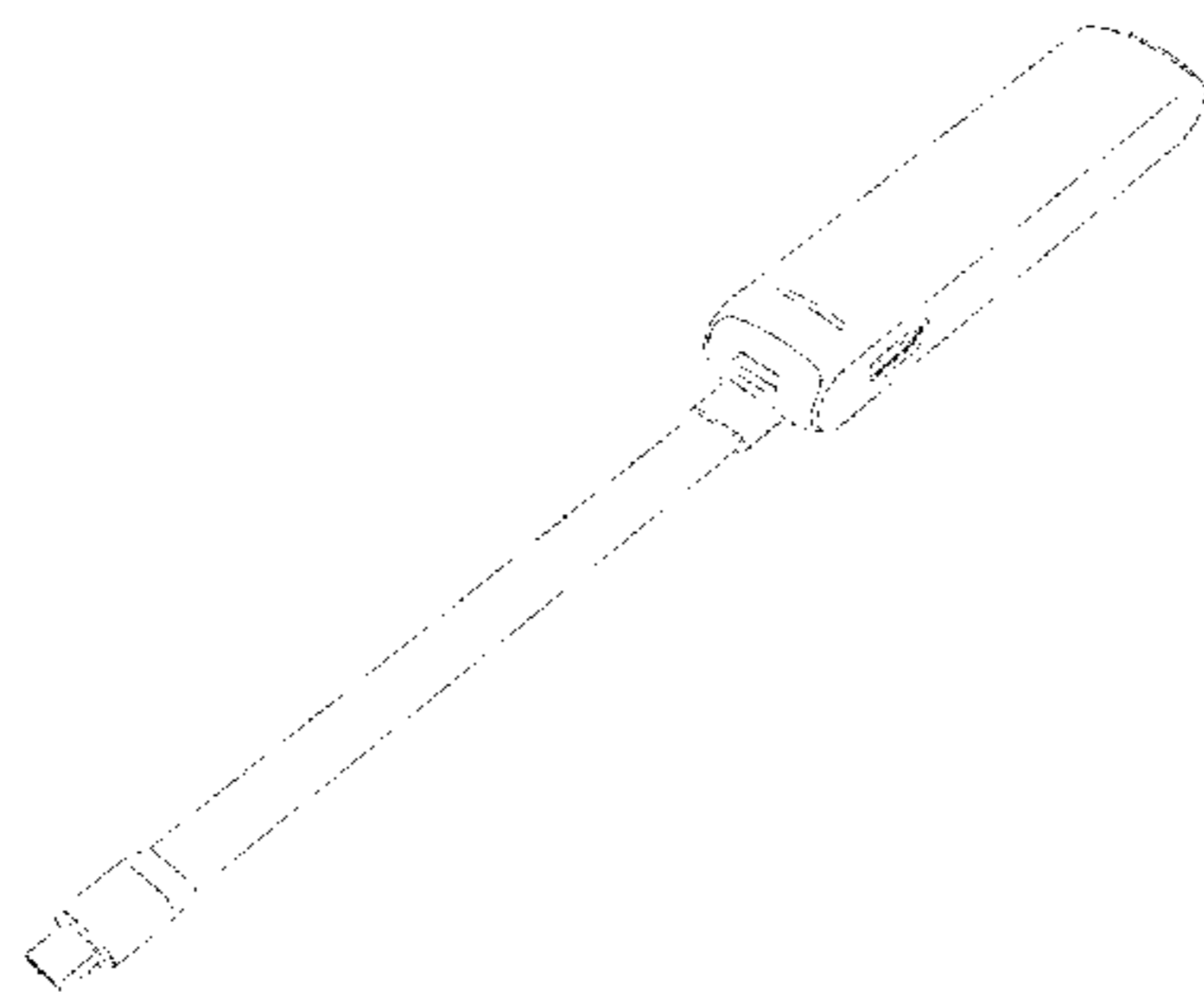
FIG. 5 is a front view thereof;

FIG. 6 is a rear view thereof;

FIG. 7 is a top, front, left side perspective view thereof; and,

FIG. 8 is a top, rear, right side perspective view thereof.

1 Claim, 8 Drawing Sheets



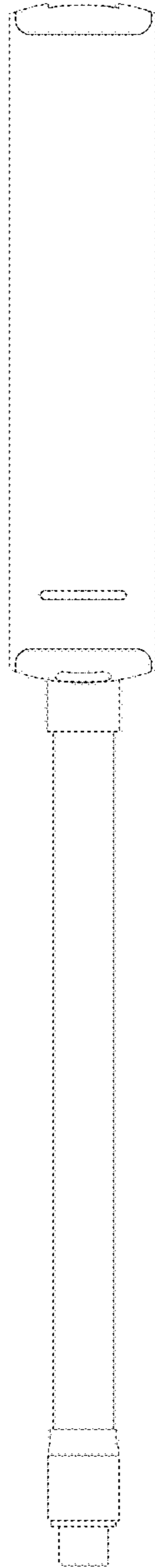


Fig. 1

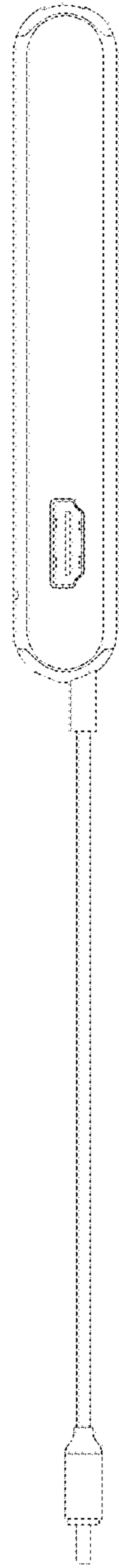


Fig. 2

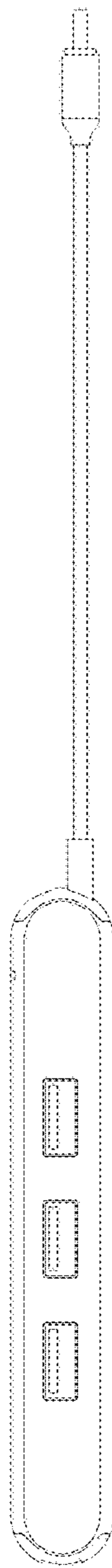


Fig. 3

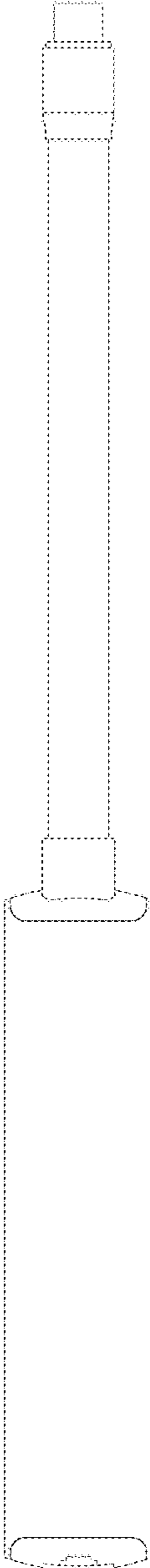


Fig. 4

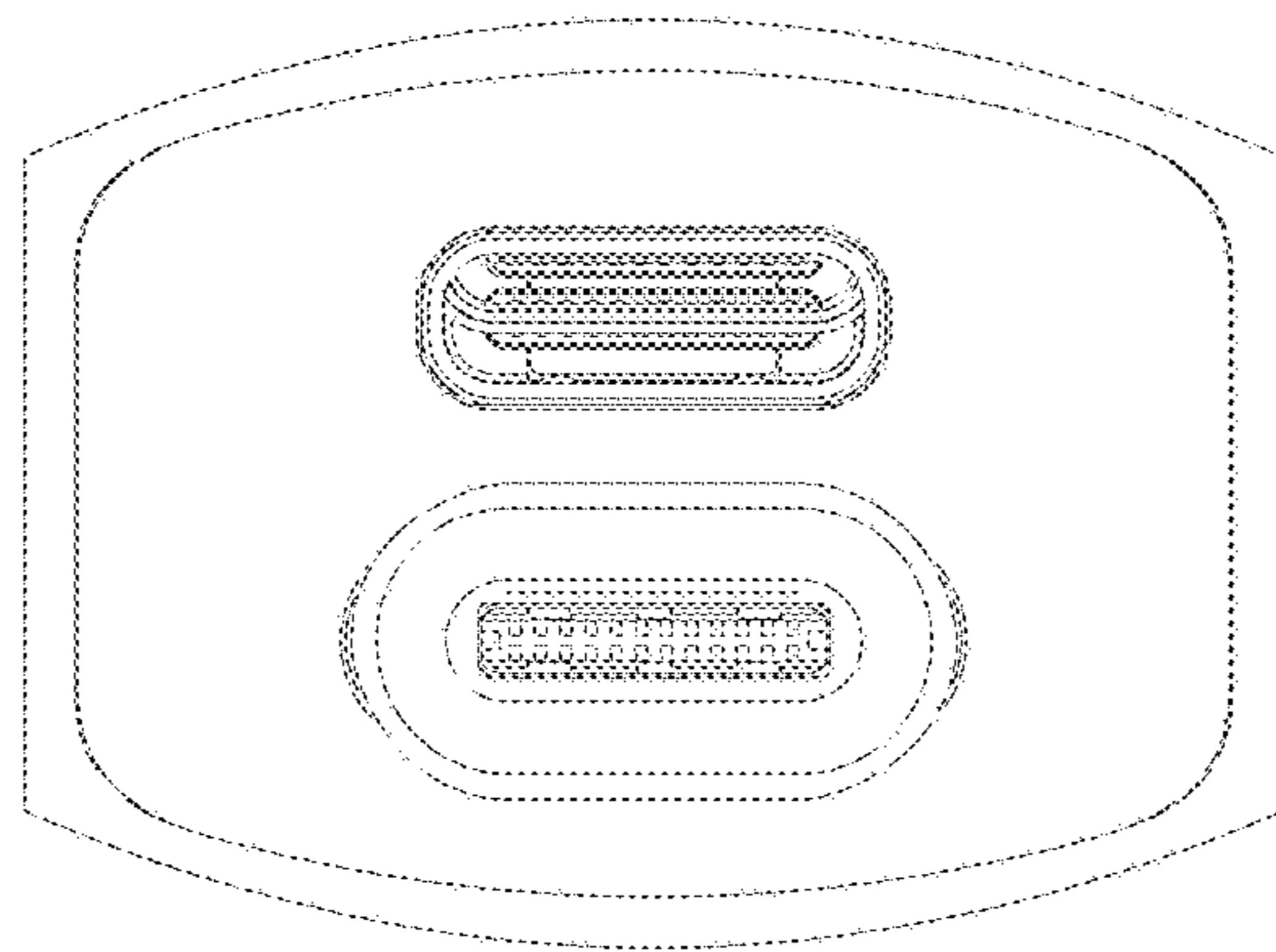


Fig. 5

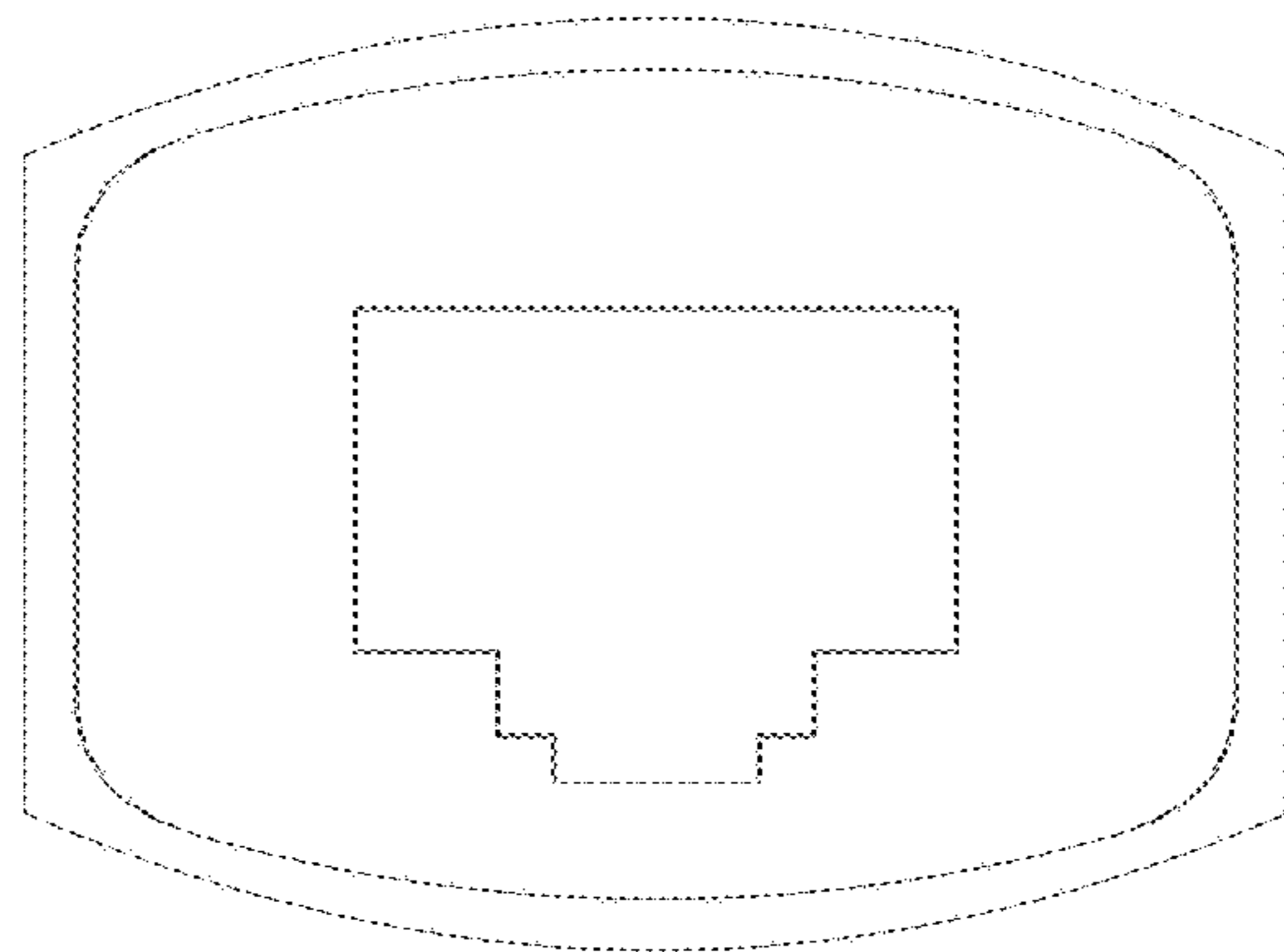


Fig. 6

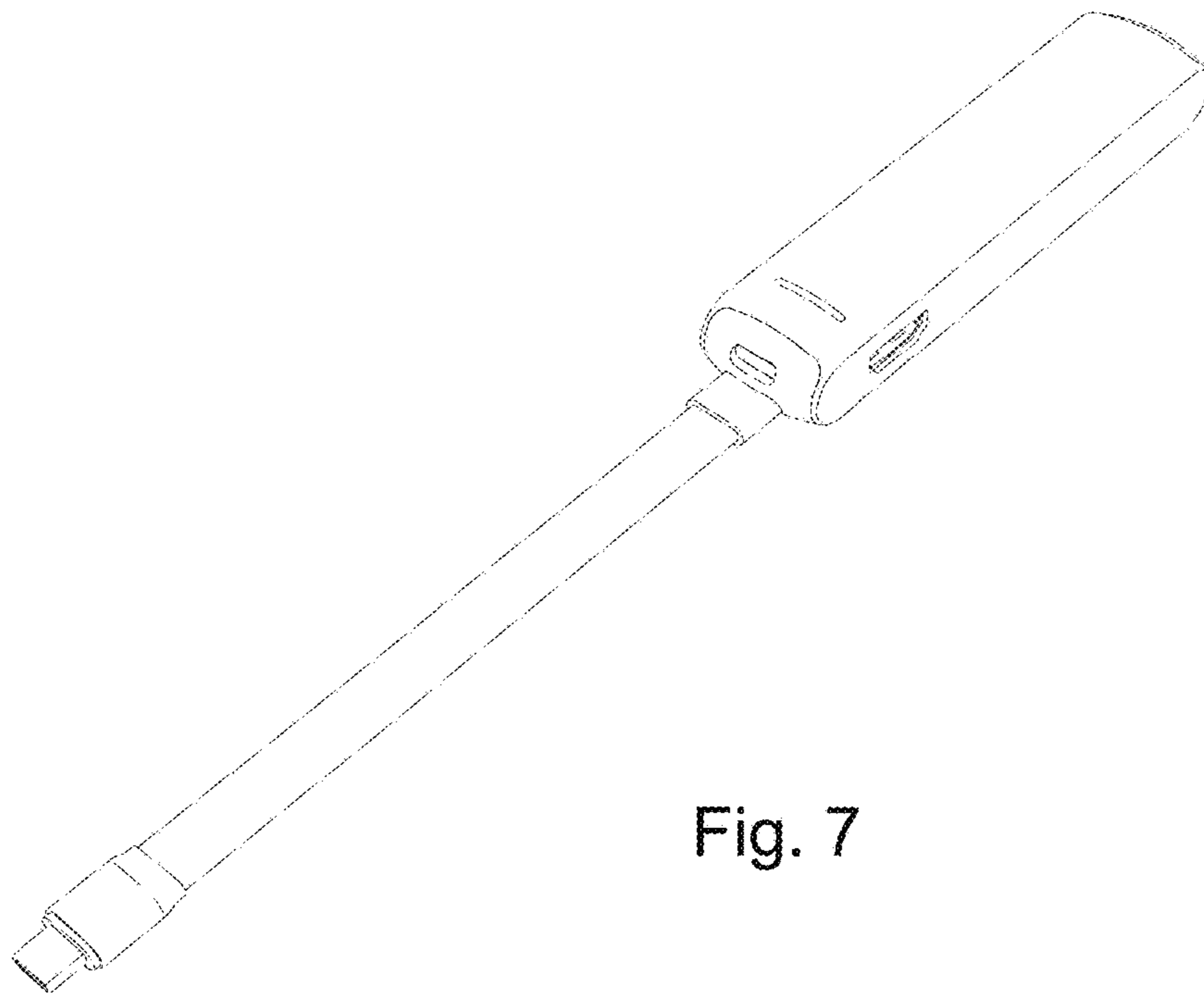


Fig. 7

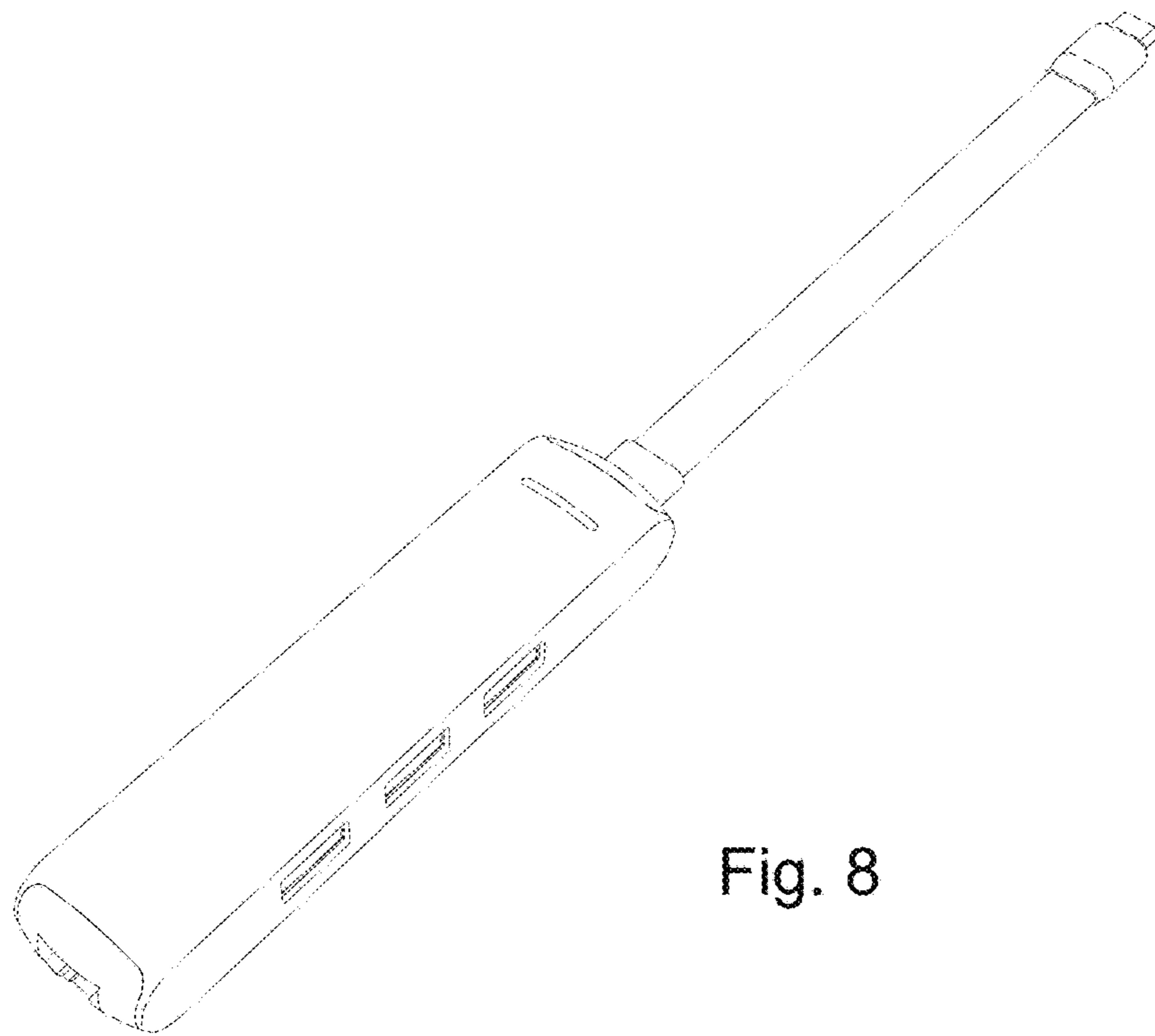


Fig. 8