



US00D865675S

(12) **United States Design Patent**
Fukuda et al.

(10) **Patent No.:** **US D865,675 S**

(45) **Date of Patent:** **** Nov. 5, 2019**

(54) **PLUG FOR OPTIC AND ELECTRICAL HYBRID CONNECTOR**

(71) Applicant: **Panasonic Intellectual Property Management Co., Ltd.**, Osaka-shi, Osaka (JP)

(72) Inventors: **Ryo Fukuda**, Osaka (JP); **Kazuhide Uriu**, Osaka (JP); **Kohei Masuda**, Osaka (JP)

(73) Assignee: **Panasonic Intellectual Property Management Co., Lt Ltd.**, Osaka (JP)

(**) Term: **15 Years**

(21) Appl. No.: **29/630,075**

(22) Filed: **Dec. 19, 2017**

(30) **Foreign Application Priority Data**

Jun. 21, 2017 (CN) 2017 3 0257110

(51) **LOC (12) Cl.** **13-03**

(52) **U.S. Cl.**
USPC **D13/147**

(58) **Field of Classification Search**
USPC D13/147, 154, 146, 133
CPC H01R 4/023; H01R 13/112; H01R 13/629;
H01R 2107/00; H01R 24/00; H01R 4/02
See application file for complete search history.

(56) **References Cited**

U.S. PATENT DOCUMENTS

D407,690 S * 4/1999 Lai D13/147
6,093,046 A * 7/2000 Chiou H01R 12/7005
439/378
D466,080 S * 11/2002 Ko D13/147
D469,406 S * 1/2003 Kato D13/147

D479,838 S * 9/2003 Tomino D14/240
D525,940 S * 8/2006 Zhang D13/147
D719,098 S * 12/2014 Endo D13/147
D766,236 S * 9/2016 Solomon D14/344
D790,473 S * 6/2017 Chen D13/147
D793,959 S * 8/2017 Chen D13/147
D793,960 S * 8/2017 Chen D13/147
D797,054 S * 9/2017 Chen D13/147
2010/0317236 A1 * 12/2010 Huang H01R 4/023
439/660

* cited by examiner

Primary Examiner — Bridget L Eland

(74) *Attorney, Agent, or Firm* — Brinks Gilson & Lione

(57) **CLAIM**

We claim the ornamental design for a plug for optic and electrical hybrid connector, as shown and described.

DESCRIPTION

FIG. 1 is a front perspective view of a plug for optic and electrical hybrid connector of the present invention; FIG. 2 is another front perspective view thereof; FIG. 3 is a front view thereof; FIG. 4 is a rear view thereof; FIG. 5 is a left side view thereof; FIG. 6 is a right side view thereof; FIG. 7 is a top view thereof; and, FIG. 8 is a bottom view thereof.

The outermost broken lines immediately adjacent to the full line showing of the claimed design represent the bounds of the claimed design while all other broken lines are directed to environment and are for illustrative purposes only; the broken lines form no part of the claimed design. In addition, the unshaded surface directly adjoining the top and bottom solid line edges in the FIGS. 1-3, 5, and 6 views form no part of the claimed design.

1 Claim, 8 Drawing Sheets

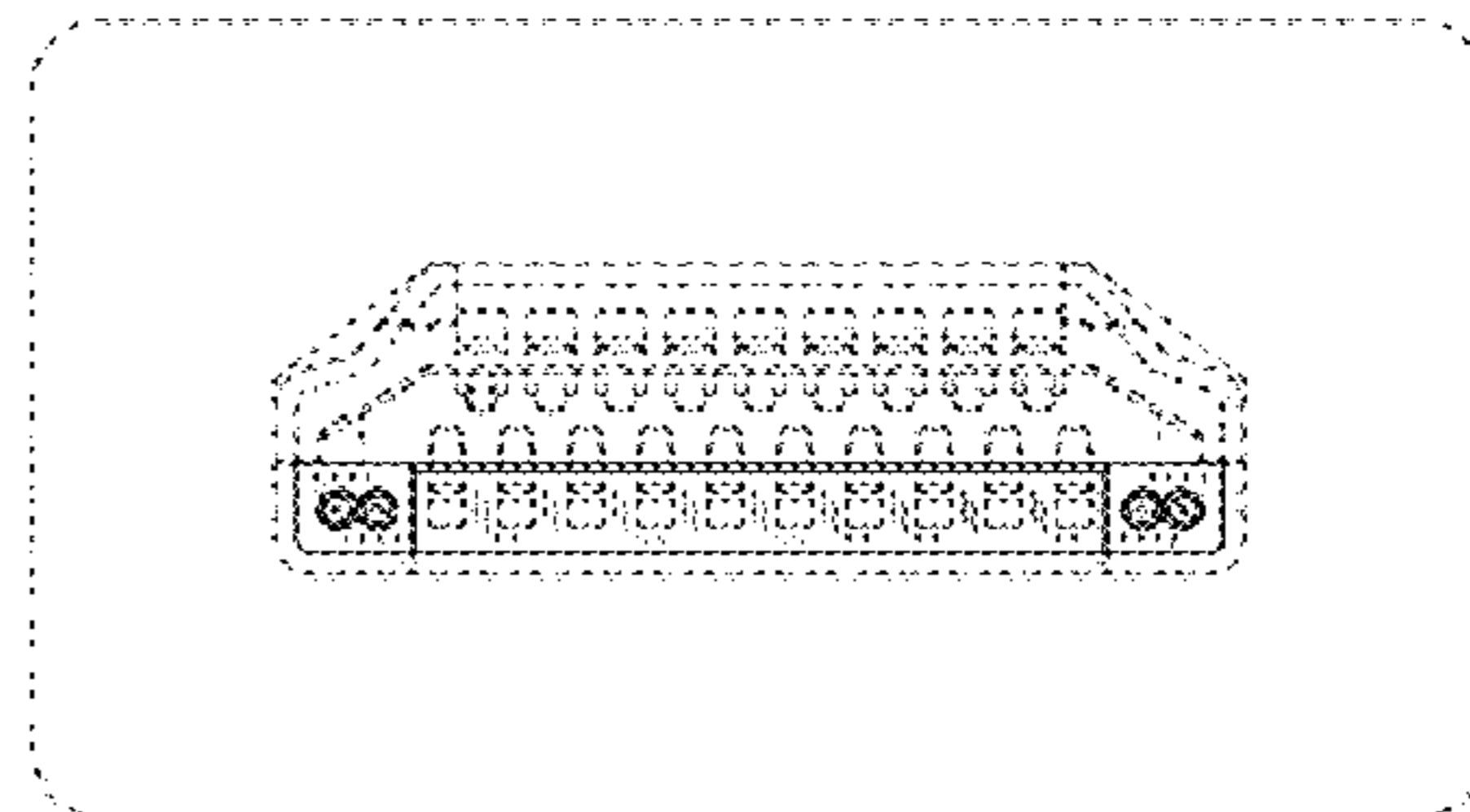
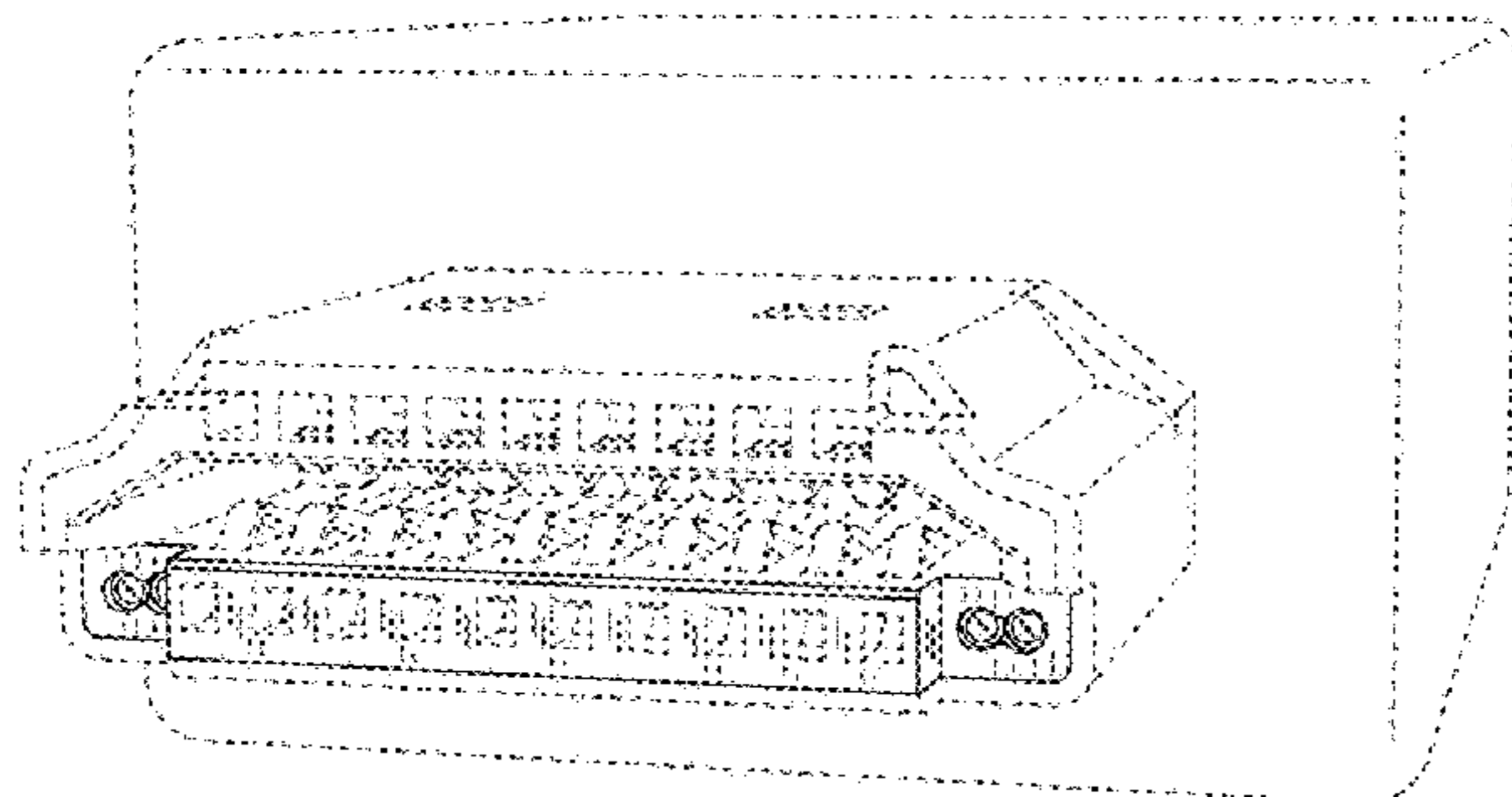


FIG. 1

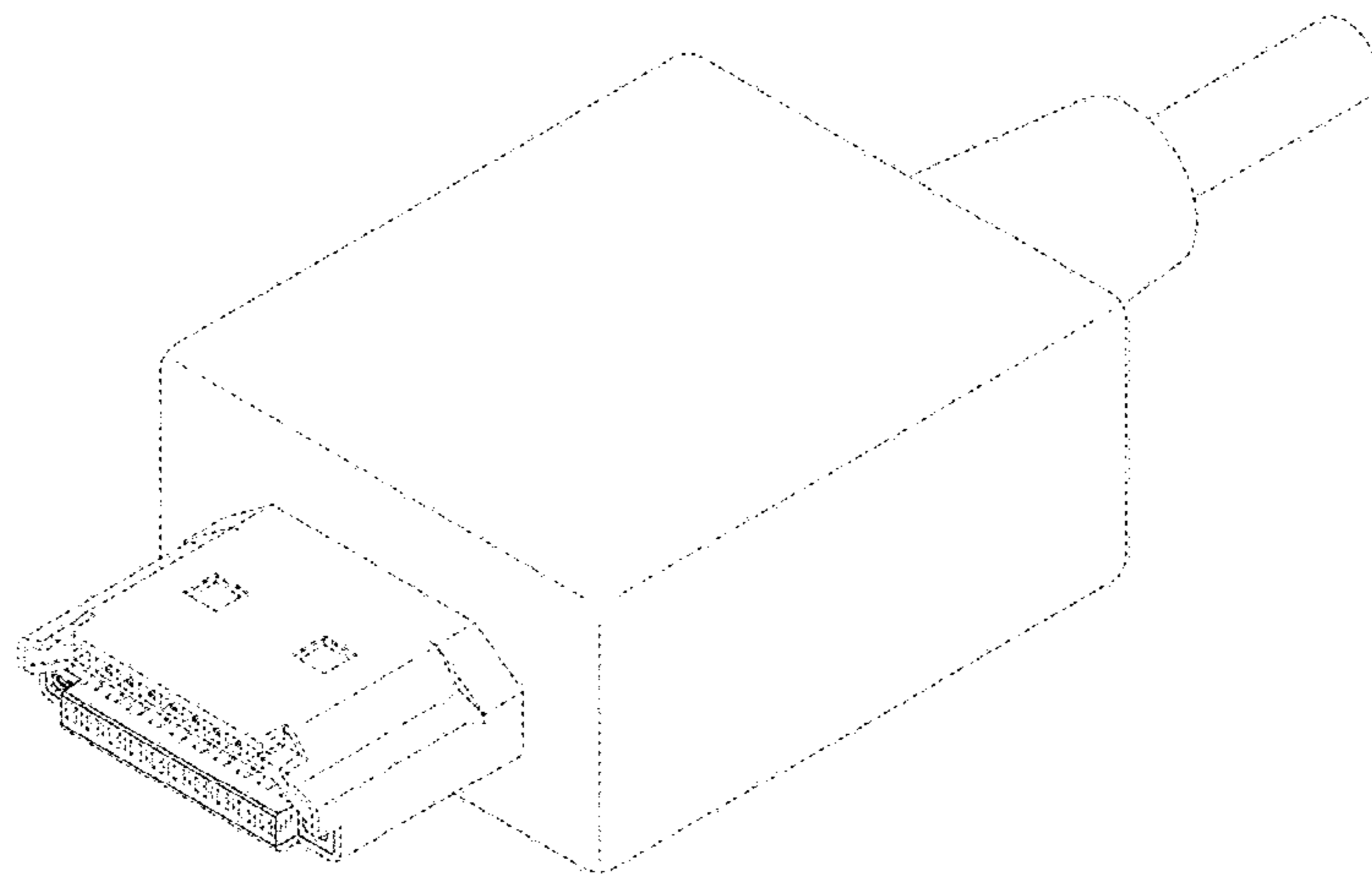


FIG. 2

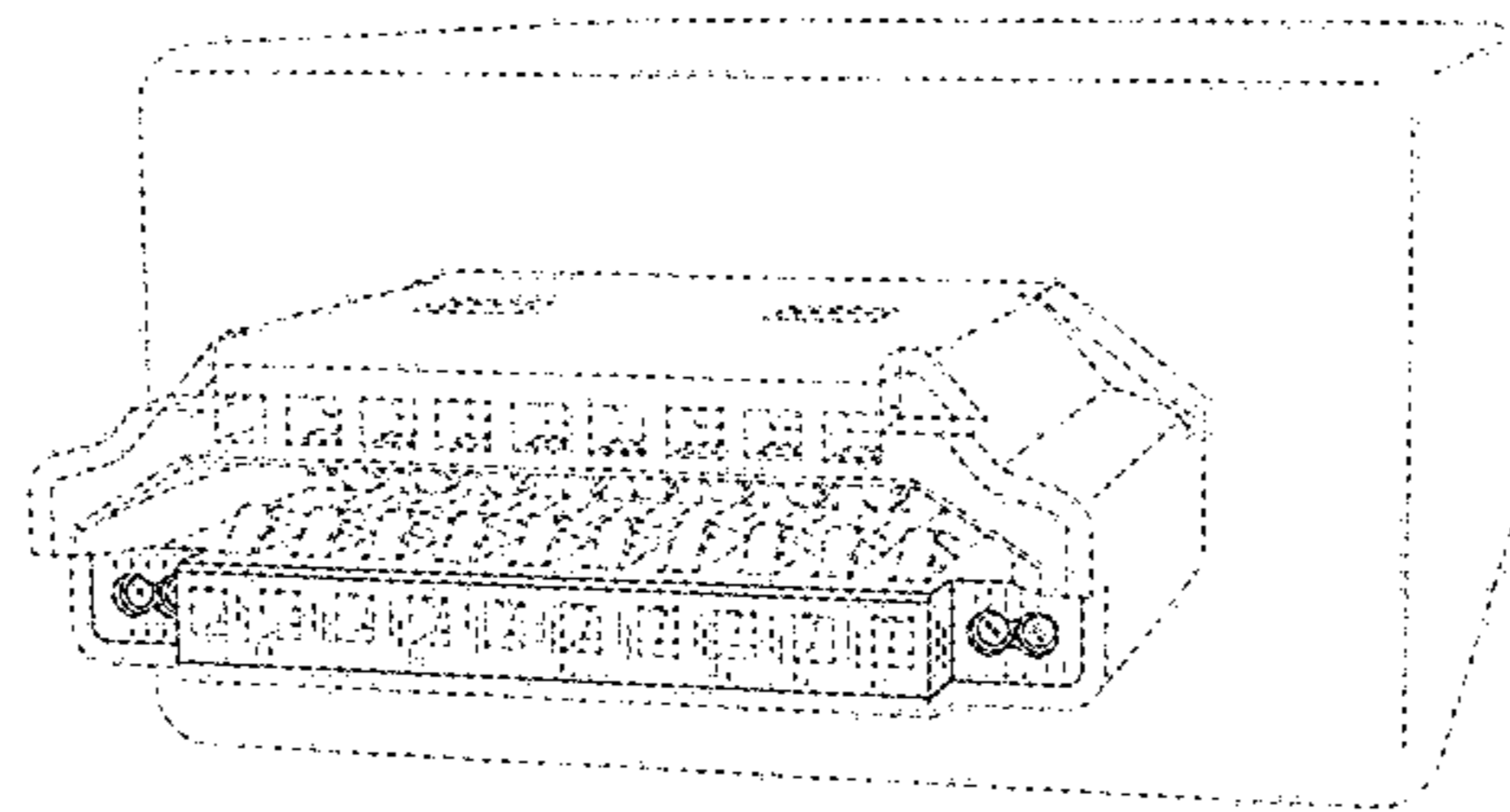


FIG. 3

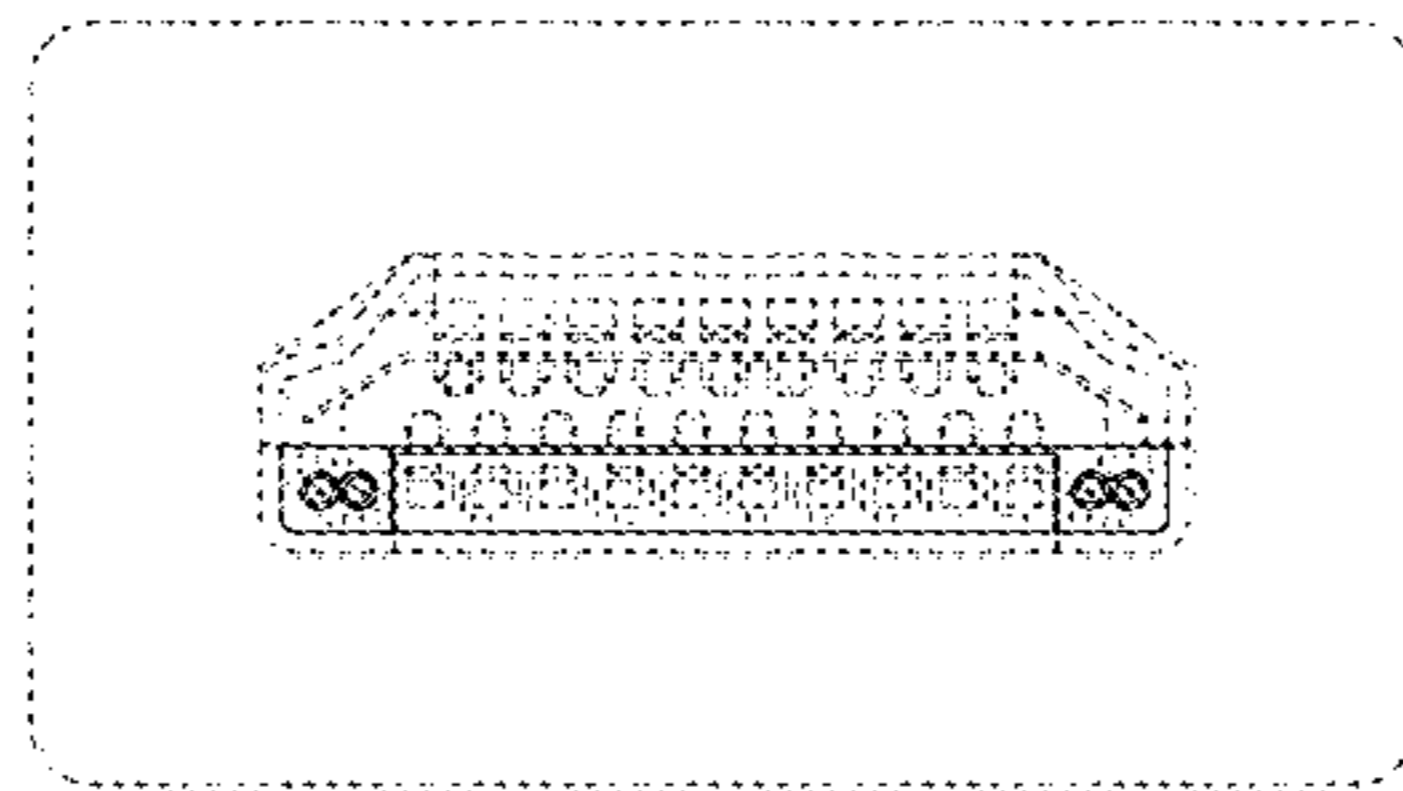


FIG. 4

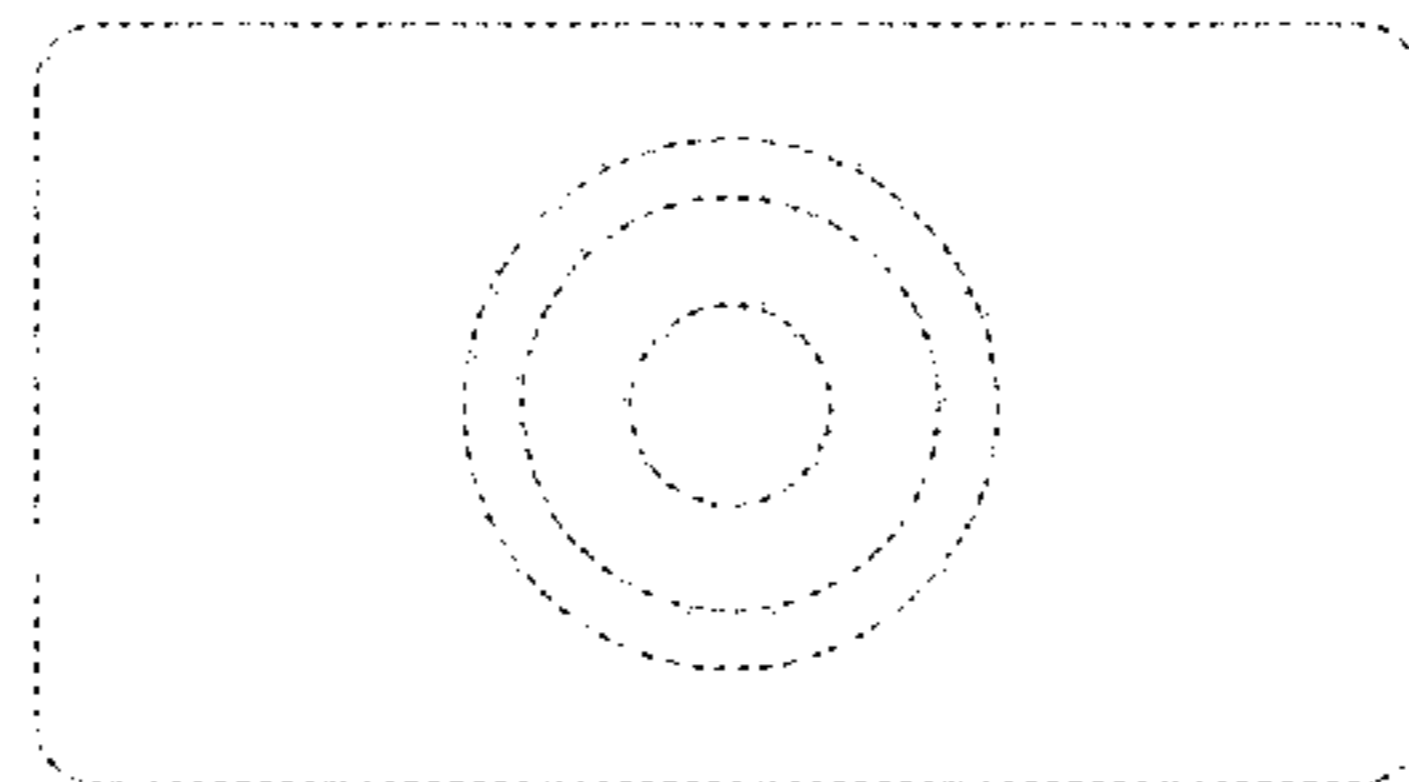


FIG. 5

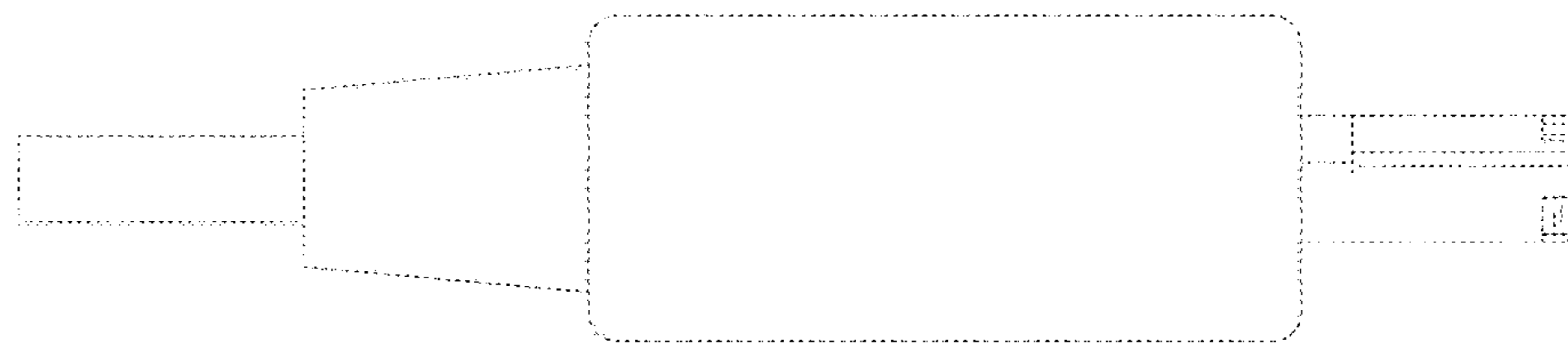


FIG. 6

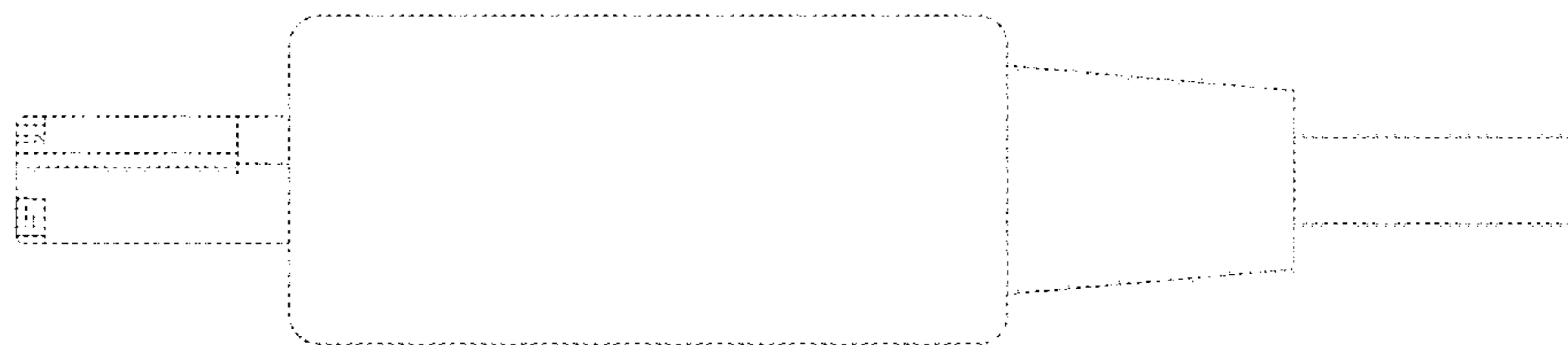


FIG. 7

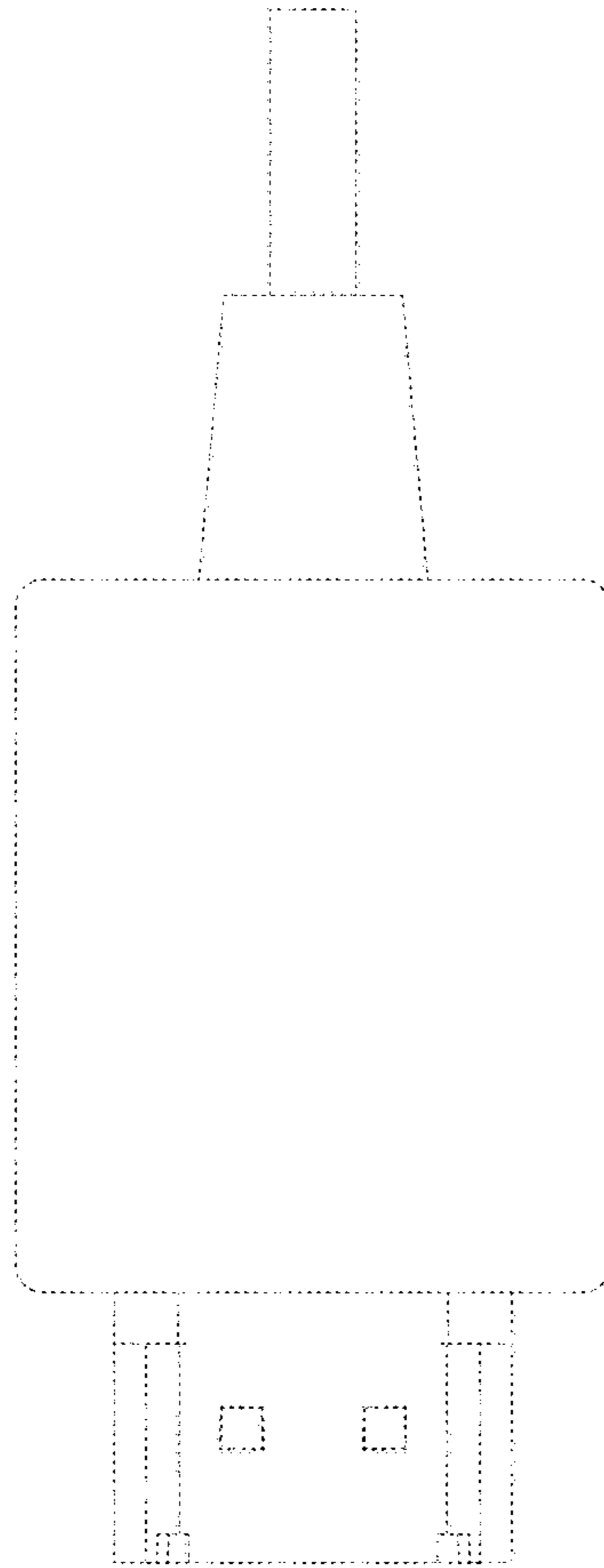


FIG. 8

