



US00D865673S

(12) **United States Design Patent**
Conan

(10) **Patent No.:** **US D865,673 S**
(45) **Date of Patent:** **** Nov. 5, 2019**

(54) **ADAPTER FOR AN INSULATOR**
(71) Applicant: **EUREKAM, La Rochelle (FR)**
(72) Inventor: **Olivier Conan, Aytre (FR)**
(**) Term: **15 Years**
(21) Appl. No.: **35/504,830**
(22) Filed: **Apr. 16, 2018**

D421,958 S * 3/2000 Pratt D13/131
D747,281 S * 1/2016 Andresen D13/199
D768,097 S * 10/2016 Powers D13/199
9,679,682 B2 * 6/2017 Wall H01B 17/145
D801,272 S * 10/2017 Nook D13/133
D814,418 S * 4/2018 Kawakami D13/133
D814,915 S * 4/2018 Powers D8/394
D823,304 S * 7/2018 Drew D14/357
D823,786 S * 7/2018 Stephan D13/102
D832,495 S * 10/2018 Antony D26/140
D839,827 S * 2/2019 Stoner D13/129
2012/0243142 A1 * 9/2012 Schmit H01G 2/04
361/271

(80) **Hague Agreement Data**

Int. Filing Date: **Apr. 16, 2018**
Int. Reg. No.: **DM/100805**
Int. Reg. Date: **Apr. 16, 2018**
Int. Reg. Pub. Date: **May 4, 2018**

* cited by examiner

Primary Examiner — Rhea Shields

(51) **LOC (12) Cl.** **13-03**
(52) **U.S. Cl.**
USPC **D13/129**

(57) **CLAIM**

The ornamental design for an adapter for an insulator, as shown and described.

(58) **Field of Classification Search**
USPC D13/129, 102, 133, 199, 131; D26/140;
D14/357; D8/394
CPC H01H 33/16; H01B 17/145; H02G 7/20;
H01G 2/04
See application file for complete search history.

DESCRIPTION

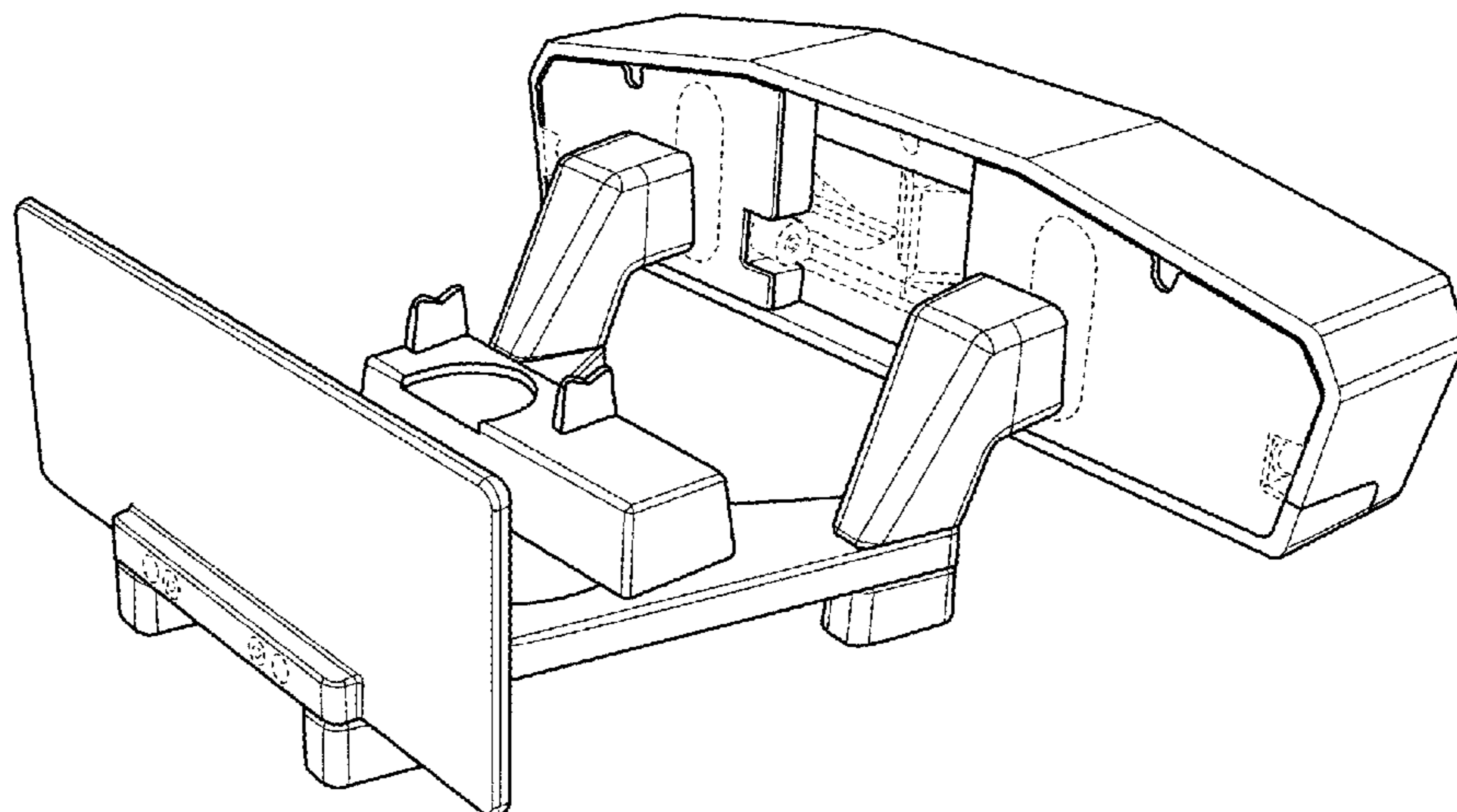
(56) **References Cited**

U.S. PATENT DOCUMENTS

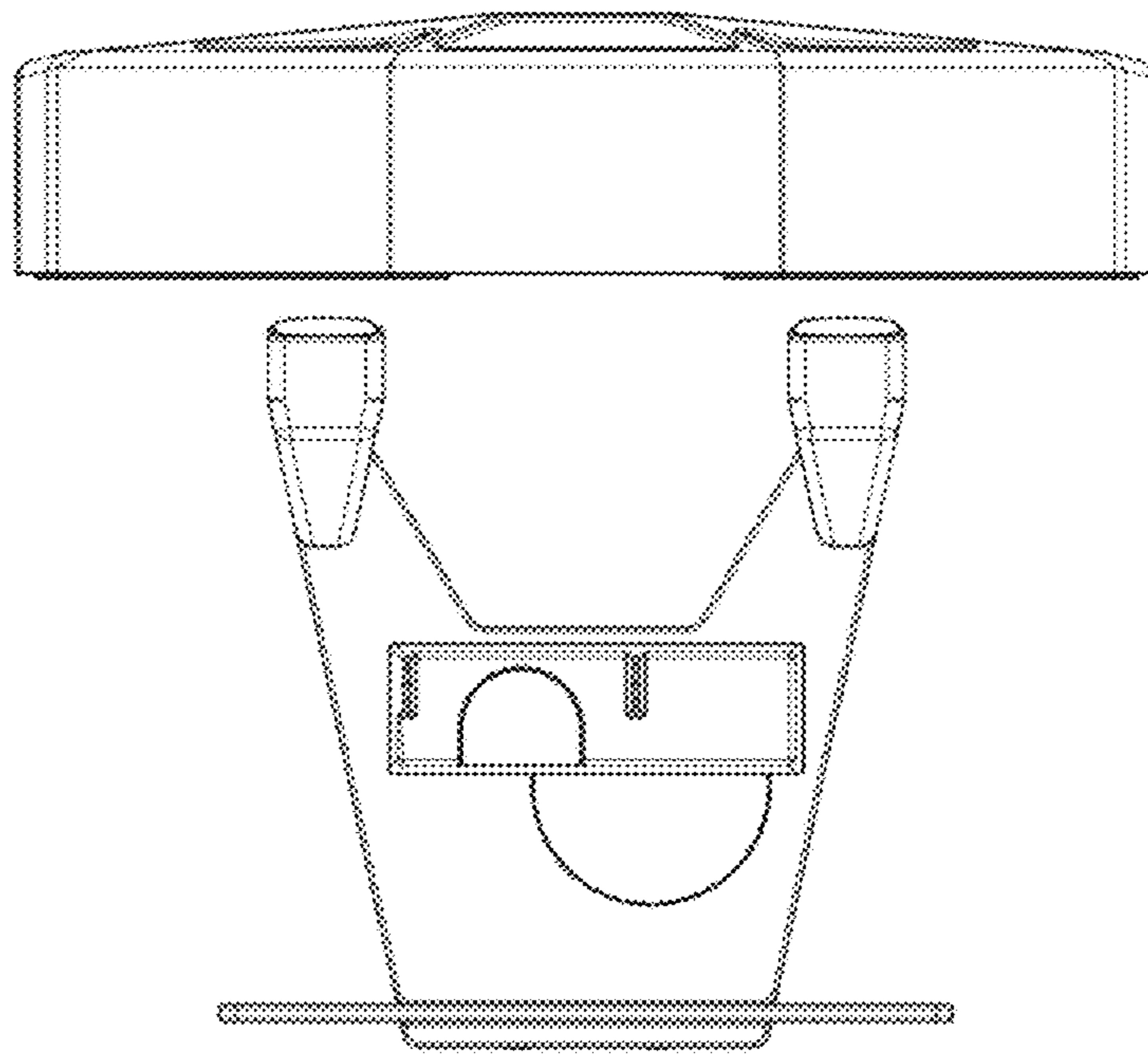
D130,952 S * 12/1941 Miller D13/131
2,401,963 A * 6/1946 Rietz H01H 33/16
218/102
D211,881 S * 8/1968 Bauer 174/175
6,027,082 A * 2/2000 King H02G 7/20
174/30

1.1 : is a top view of showing the new design;
1.2 : is a right perspective view of showing the new design;
1.3 : is a bottom right perspective view of showing the new design;
1.4 : is a rear right perspective view of showing the new design;
1.5 : is a left perspective view of showing the new design;
1.6 : is a front view of showing the new design;
1.7 : is a right side view of showing the new design.
The broken lines in FIGS. **1.1-1.7** illustrate unclaimed subject matter and do not form any part of the claimed design.

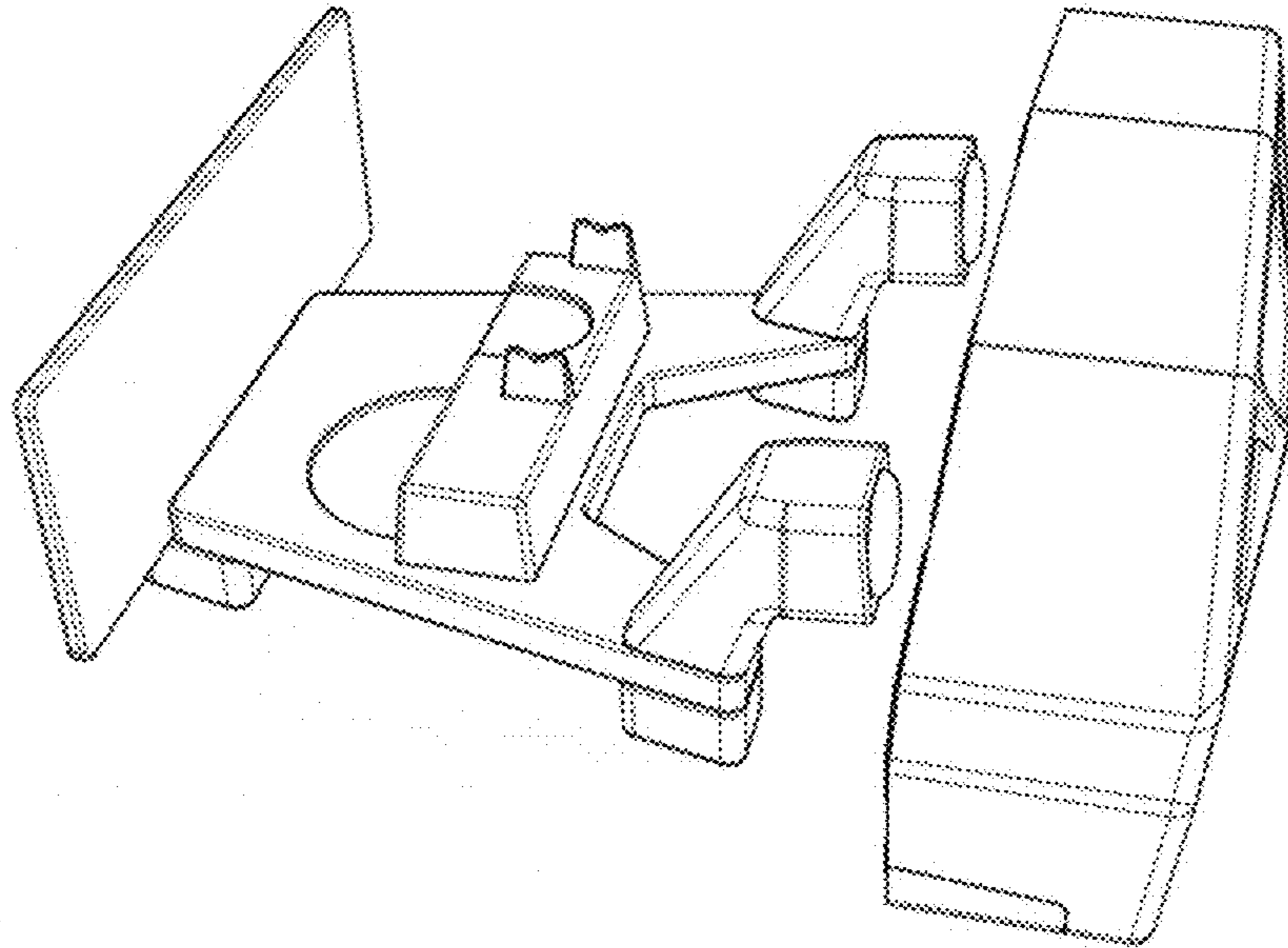
1 Claim, 7 Drawing Sheets



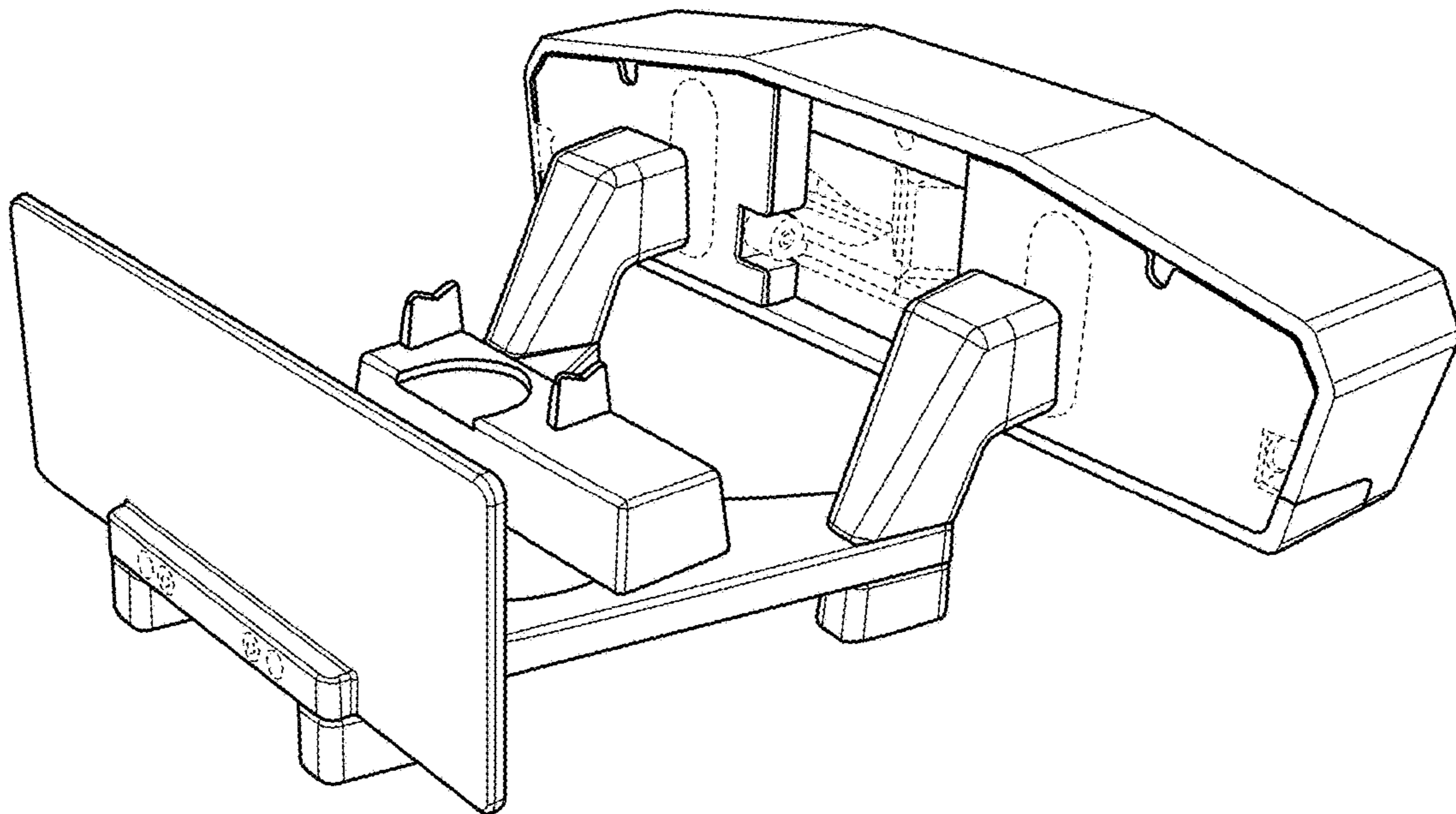
1.1



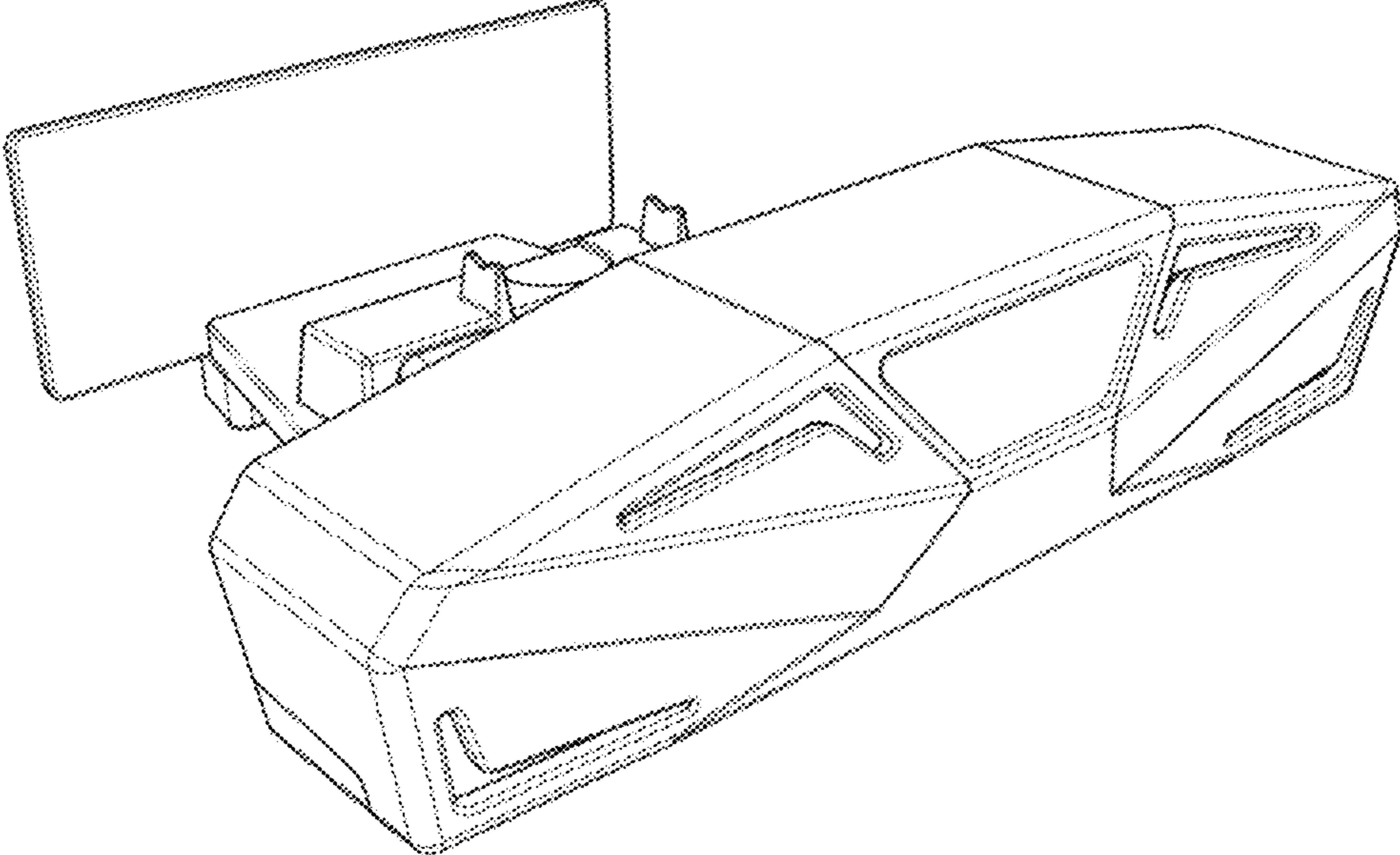
1.2



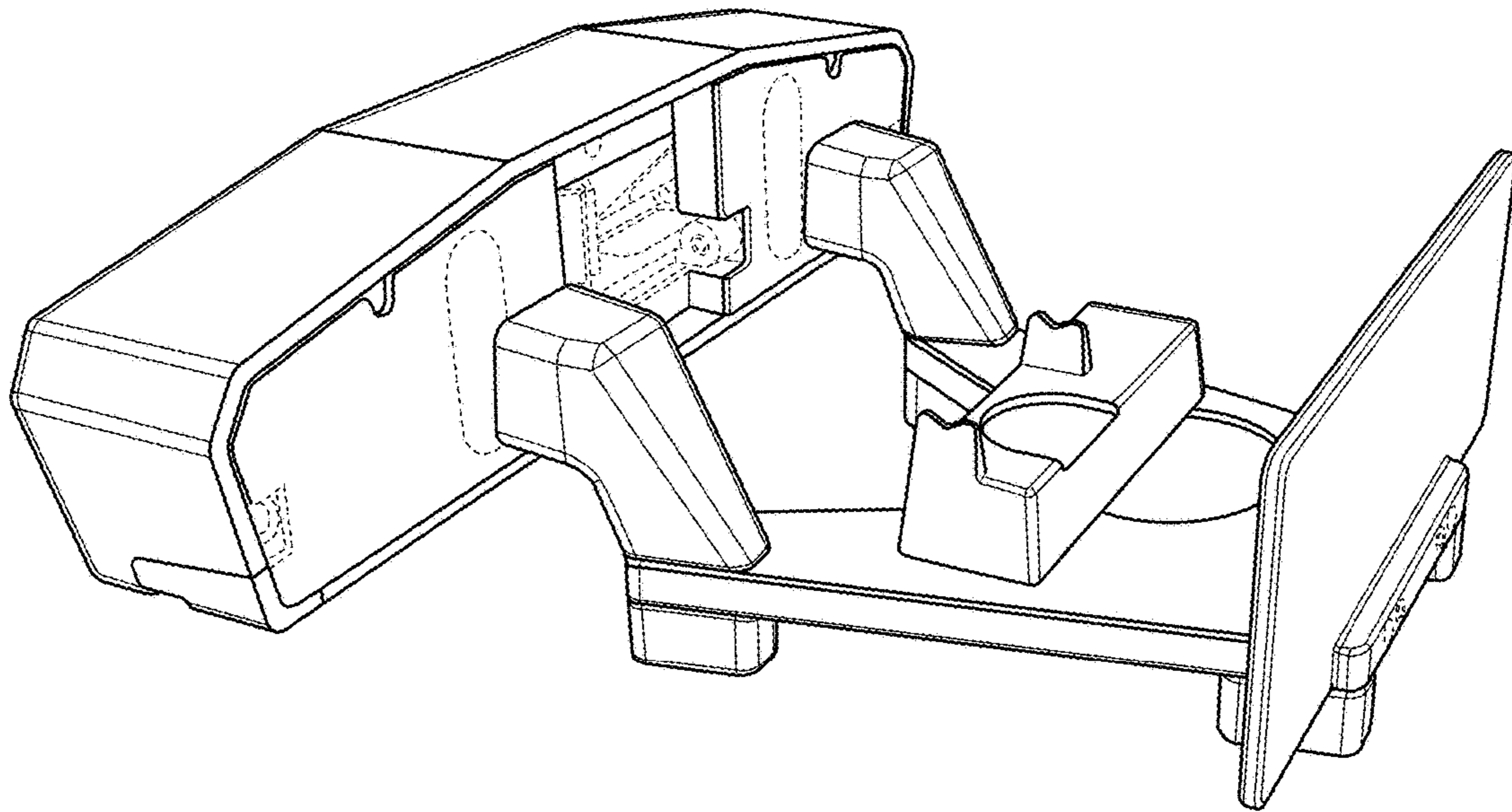
1.3



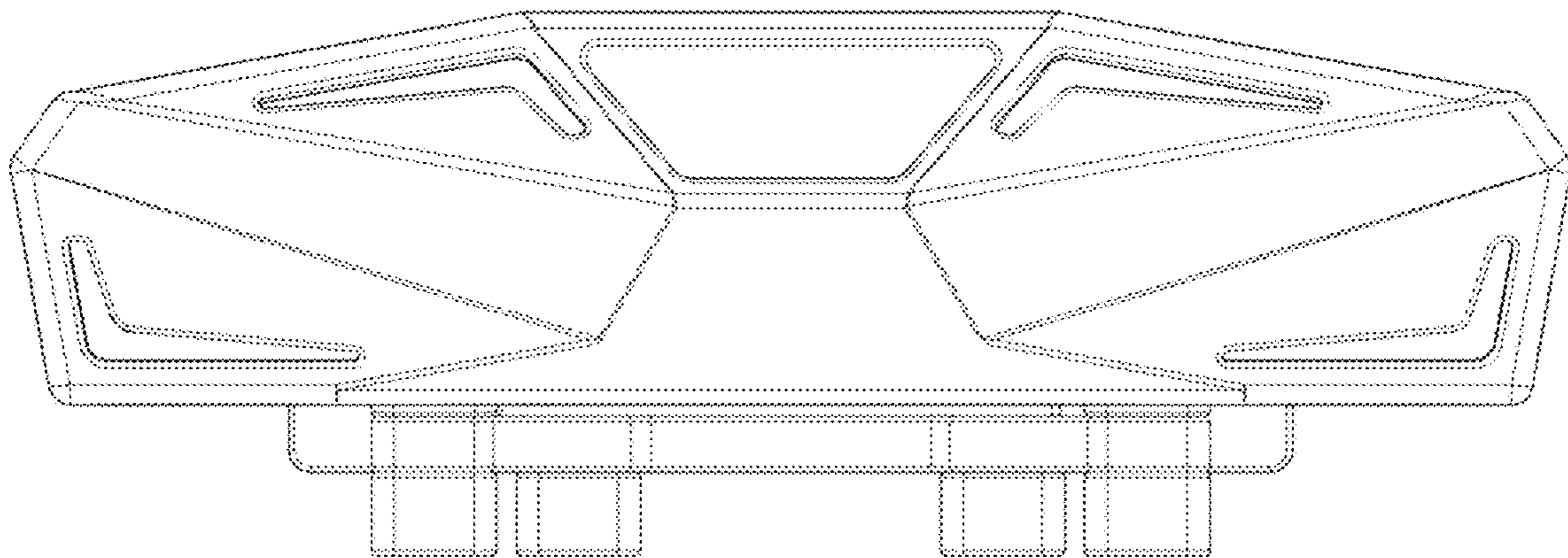
1.4

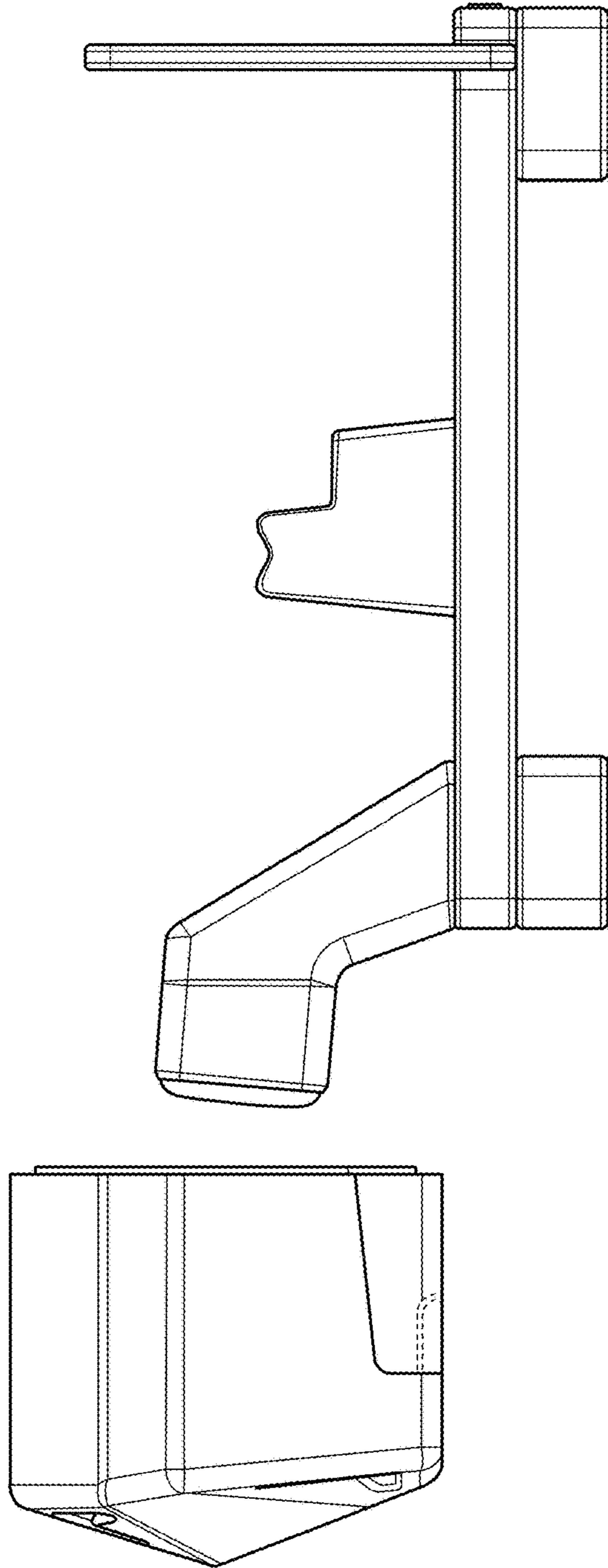


1.5



1.6





1.7