



US00D865672S

(12) **United States Design Patent**
Wang et al.

(10) **Patent No.:** **US D865,672 S**
(45) **Date of Patent:** **** Nov. 5, 2019**

(54) **IN-CABLE CONTROL AND PROTECTION DEVICE**

(71) Applicant: **Zhangjiagang Uchen New Energy Technology Co., Ltd., Zhangjiagang (CN)**

(72) Inventors: **Jiandong Wang, Zhangjiagang (CN); Gaojun Song, Zhangjiagang (CN)**

(73) Assignee: **Zhangjiagang Uchen New Energy Technology Co., Ltd., Zhangjiagang (CN)**

(**) Term: **15 Years**

(21) Appl. No.: **29/633,653**

(22) Filed: **Jan. 15, 2018**

(51) **LOC (12) Cl.** **13-03**

(52) **U.S. Cl.**
USPC **D13/124**

(58) **Field of Classification Search**
USPC D13/123-132, 117, 199, 154, 184, 110, D13/107, 118, 38.1, 138.2, 139.6, 160, D13/171

CPC G01R 19/0092; G01R 19/16547; G01R 19/16552; G01R 15/142; G01R 15/144; G01R 15/146; G01R 15/148; G05B 23/02; H01R 2103/00; H01R 24/48; H01R 13/66; H02H 9/06; H01Q 1/50; E02D 5/74; H02J 13/00; H02G 3/22

See application file for complete search history.

(56) **References Cited**

U.S. PATENT DOCUMENTS

D543,515 S * 5/2007 Landerholm D13/184
D569,798 S * 5/2008 Lee D13/123
D582,845 S * 12/2008 O'Hern D13/110
D617,267 S * 6/2010 Li D13/107
D664,097 S * 7/2012 Ting D13/151
D686,572 S * 7/2013 Loya D13/108

D765,041 S * 8/2016 Yu D13/160
D788,032 S * 5/2017 Yang D13/107
D793,964 S * 8/2017 Aromin D13/160
D814,406 S * 4/2018 Yang D13/107
D814,407 S * 4/2018 Yang D13/107
D814,409 S * 4/2018 Yang D13/107
D816,024 S * 4/2018 Yang D13/107

FOREIGN PATENT DOCUMENTS

CN 304301205 * 9/2017

OTHER PUBLICATIONS

Uchen. Link: <http://www.uchen.com.cn/en/productsd.php?tid=46&pid=139>. Visited Jul. 1, 2019. Charger 3050-PSE-32-XC-AS. (Year: 2019).*

* cited by examiner

Primary Examiner — Susan Moon Lee
Assistant Examiner — Lauren D McVey

(57) **CLAIM**

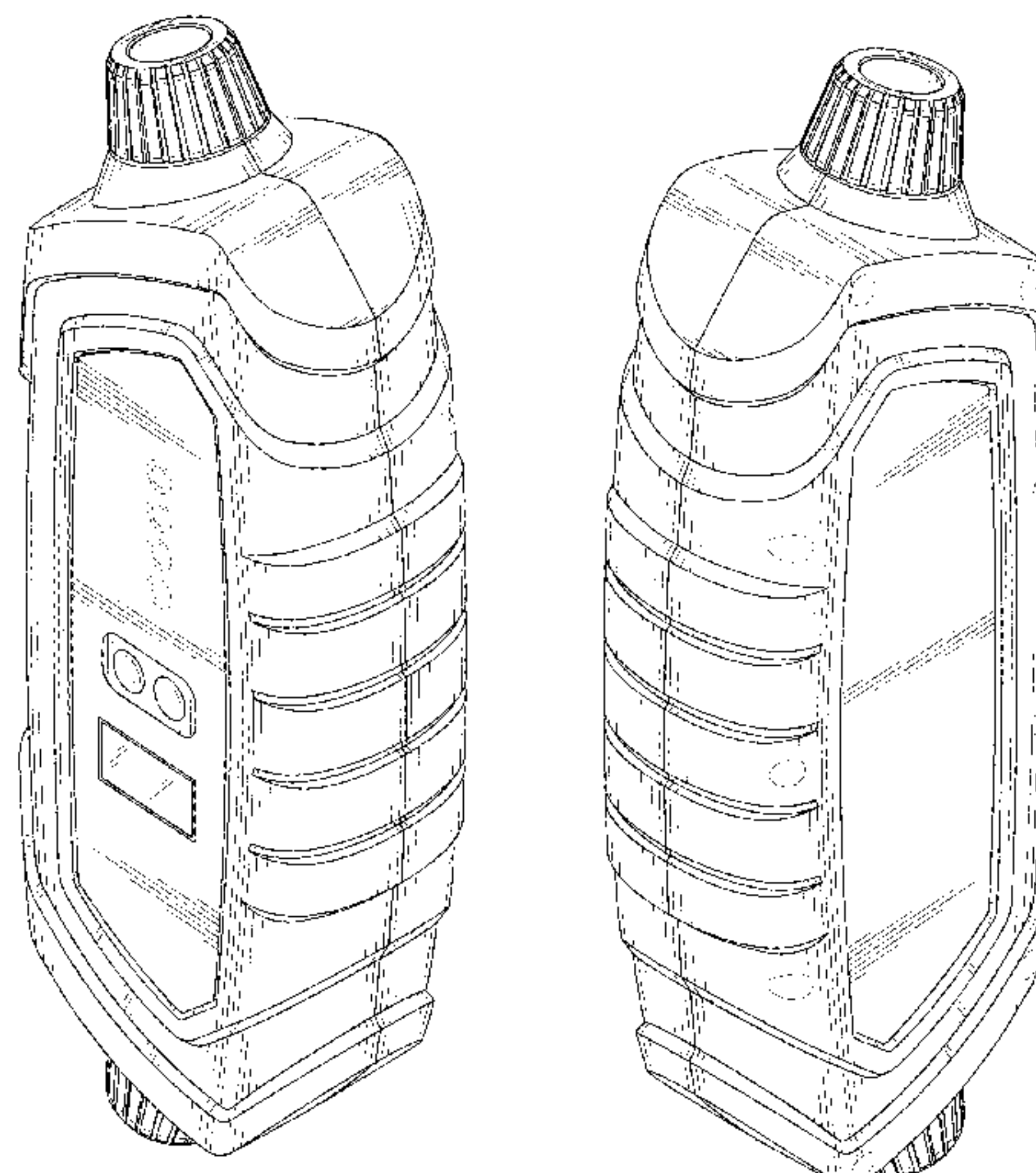
The ornamental design for in-cable control and protection device, as shown and described.

DESCRIPTION

FIG. 1 is a left side perspective view of an in-cable control and protection device showing our new design; FIG. 2 is a right side perspective view thereof; FIG. 3 is a left side elevation view thereof; FIG. 4 is a right side elevation view thereof; FIG. 5 is a rear elevation view thereof; FIG. 6 is a front elevation view thereof; FIG. 7 is a top plan view thereof; and, FIG. 8 is a bottom plan view thereof.

The broken lines immediately adjacent to the shaded areas depict the bounds of the claimed design, while all other broken lines are directed to environment. The broken lines form no part of the claimed design.

1 Claim, 8 Drawing Sheets



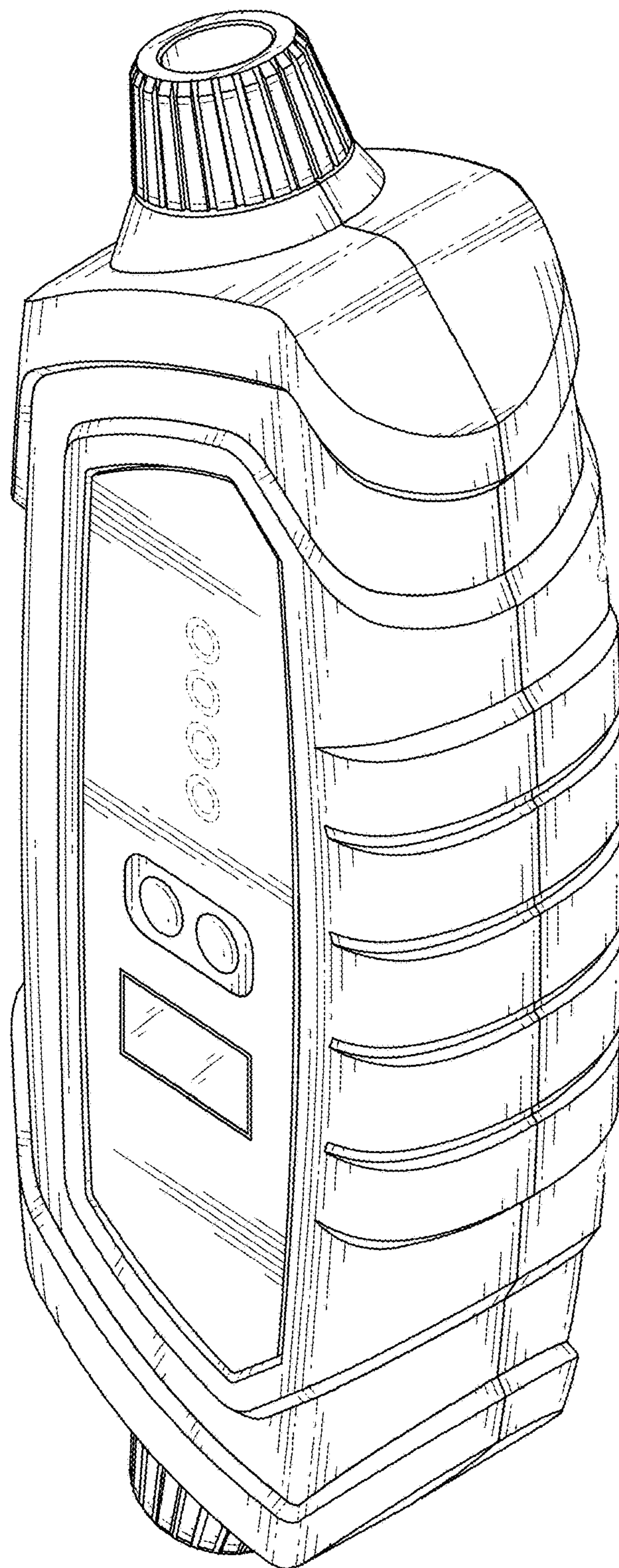


FIG. 1

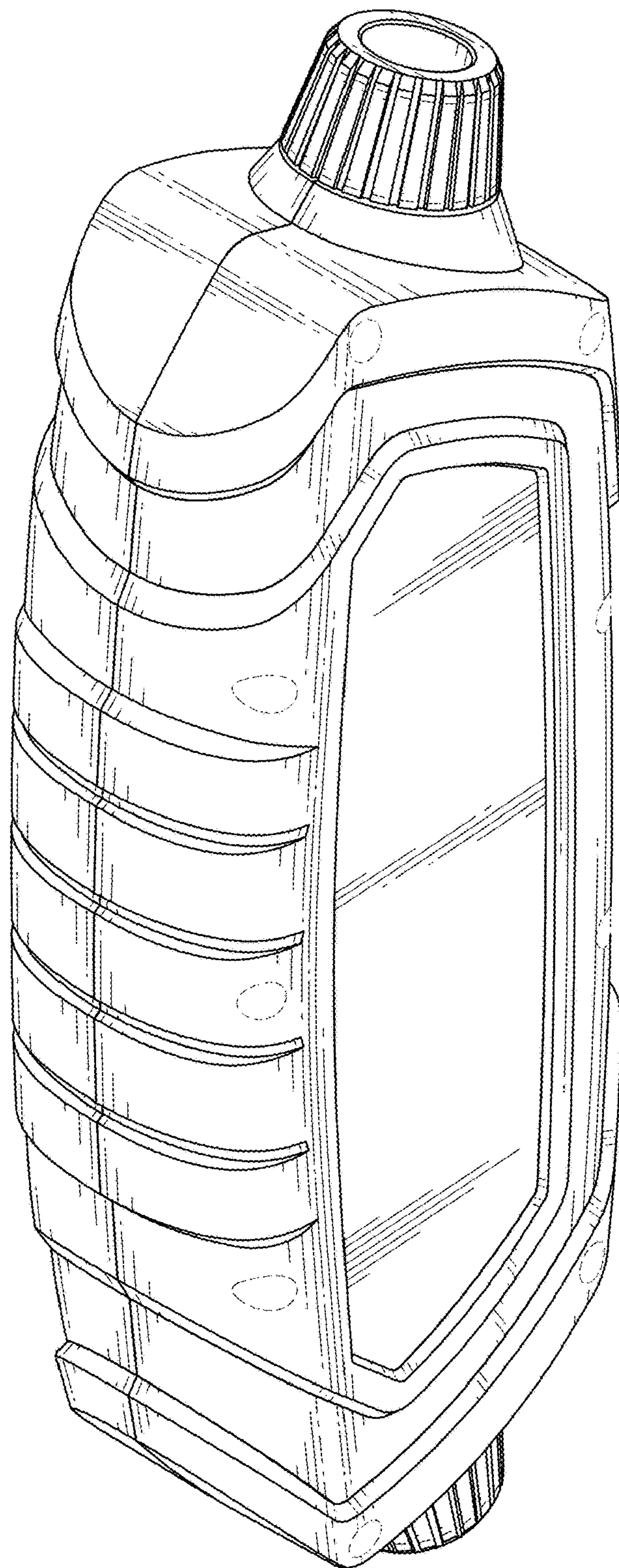


FIG. 2

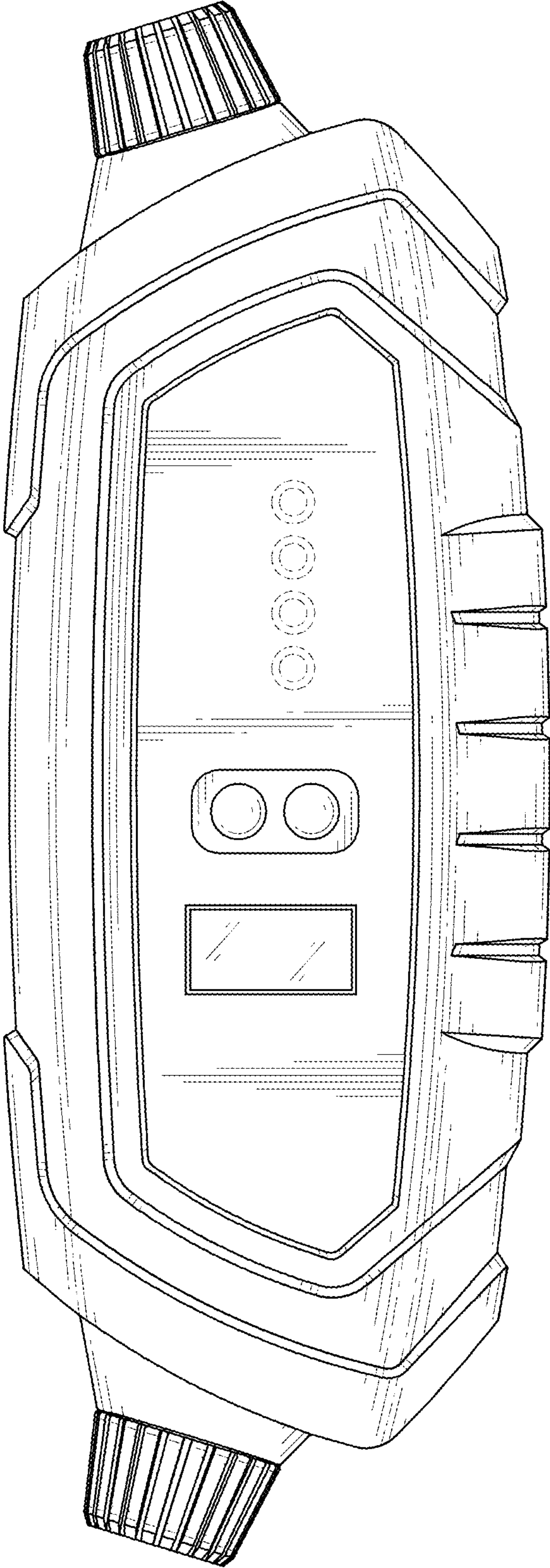


FIG. 3

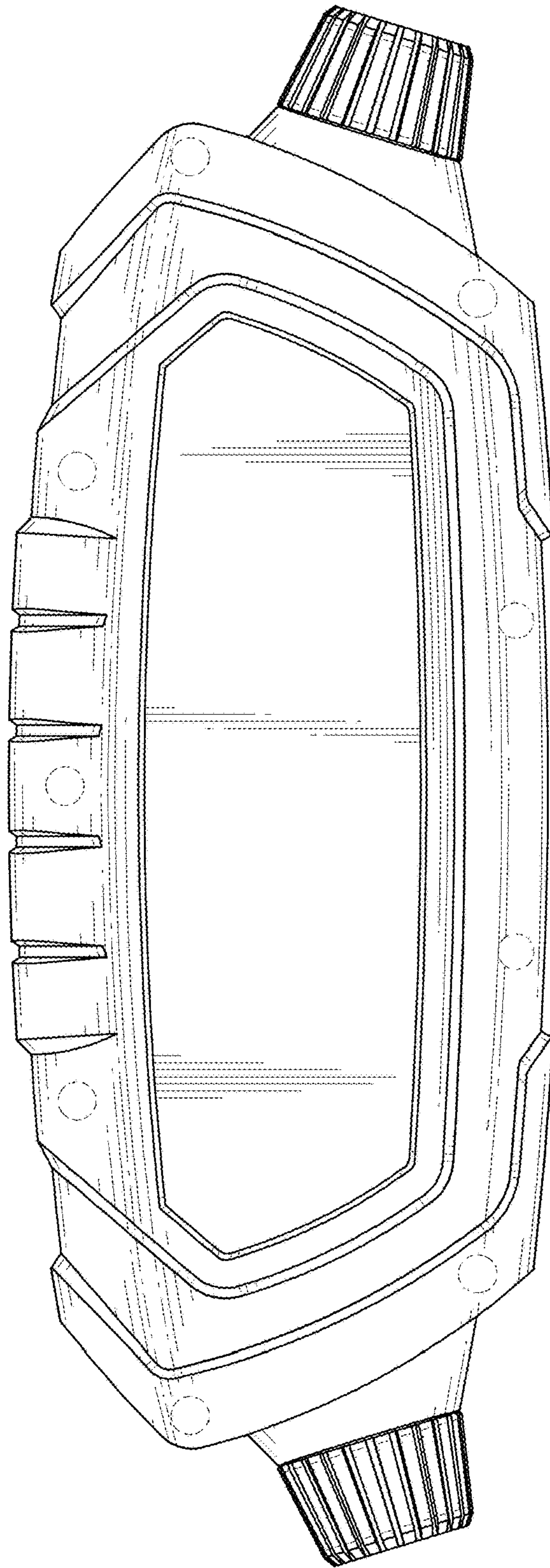


FIG. 4

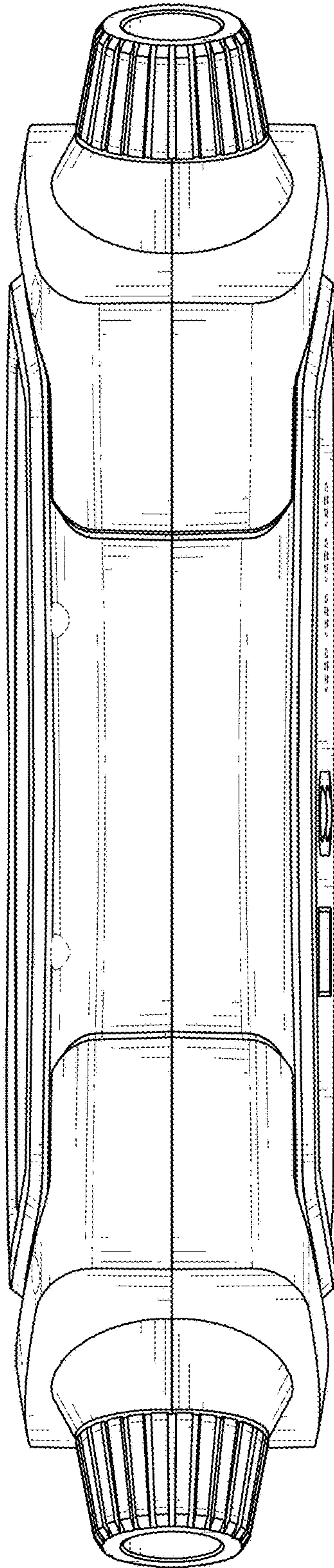


FIG. 5

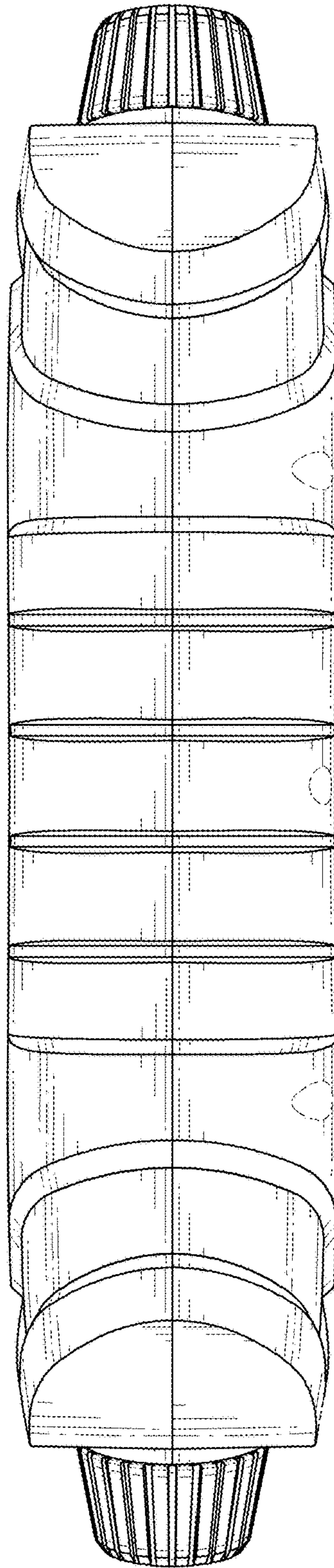


FIG. 6

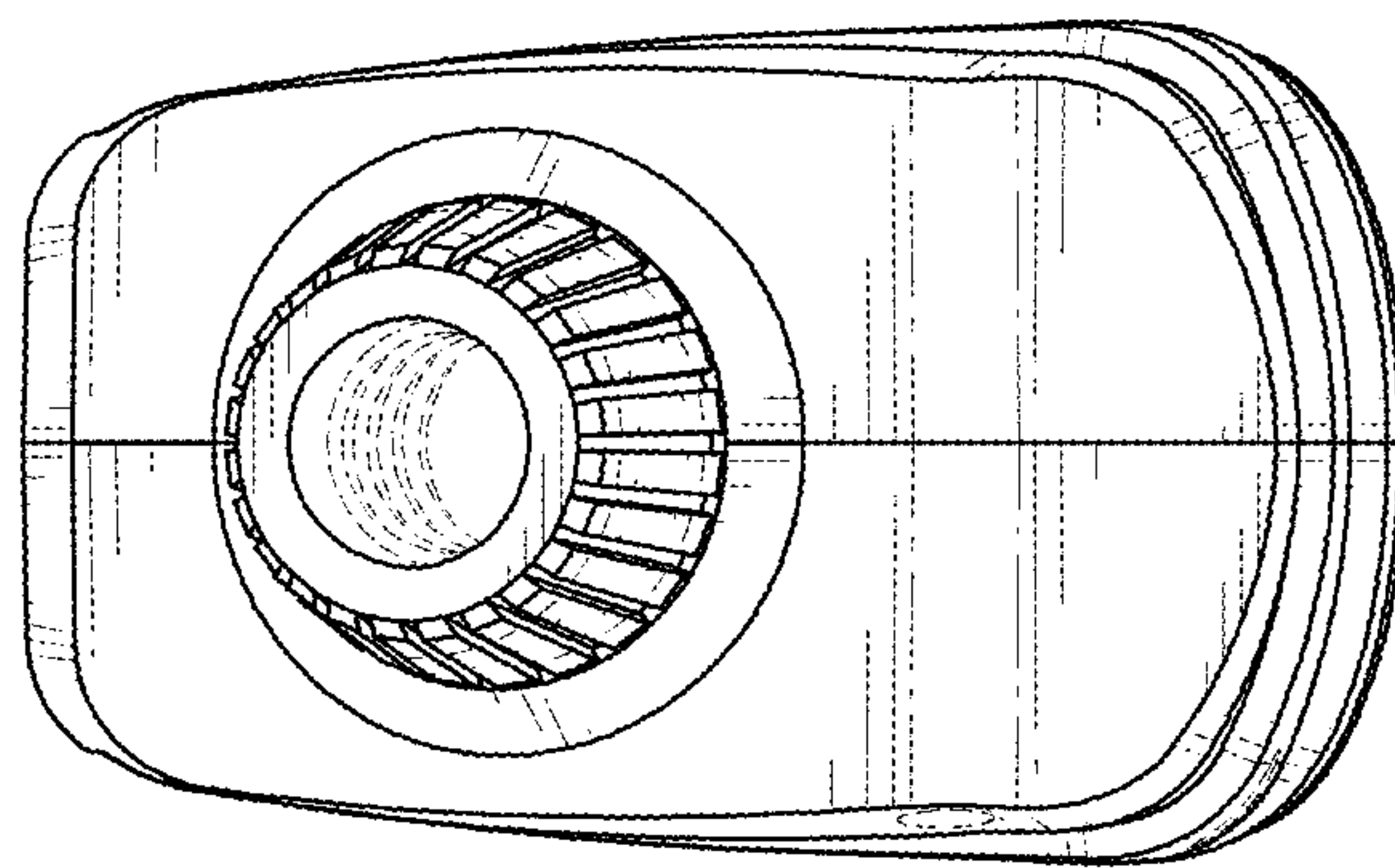


FIG. 7

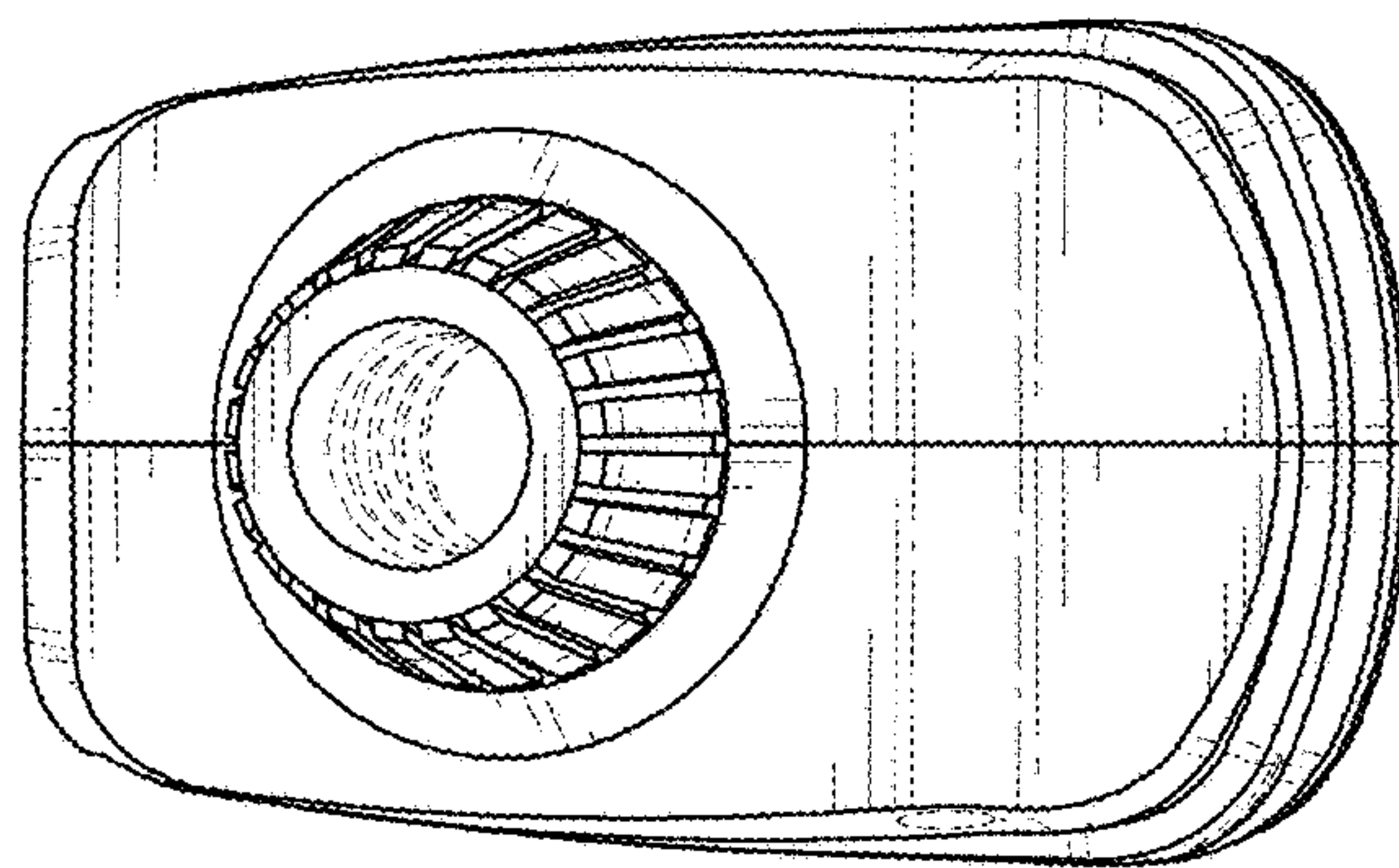


FIG. 8