



US00D865670S

(12) **United States Design Patent** (10) **Patent No.:** **US D865,670 S**  
**Shirouzu et al.** (45) **Date of Patent:** **\*\* Nov. 5, 2019**

(54) **CORE FOR ELECTROMAGNETIC DEVICE**

(71) Applicant: **FANUC CORPORATION**, Yamanashi (JP)

(72) Inventors: **Masatomo Shirouzu**, Yamanashi (JP);  
**Takafumi Kajiya**, Yamanashi (JP);  
**Takuya Maeda**, Yamanashi (JP)

(73) Assignee: **FANUC CORPORATION** (JP)

(\*\*) Term: **15 Years**

(21) Appl. No.: **29/618,279**

(22) Filed: **Sep. 20, 2017**

(30) **Foreign Application Priority Data**

Mar. 23, 2017 (JP) ..... 2017-005948

(51) **LOC (12) Cl.** ..... **13-02**

(52) **U.S. Cl.**  
USPC ..... **D13/118**

(58) **Field of Classification Search**  
USPC ..... D13/118, 122, 112, 113, 114, 199;  
D15/3, 5, 199; 74/606 R, 609; 310/10,  
310/40 R, 42, 51, 58, 71, 80, 83, 85, 89,  
310/91, 109, 236, 239, 254; 318/245,  
318/255

CPC .. H02K 5/04; H02K 5/10; H02K 5/22; H02K  
5/148; H02K 29/14; H02K 1/24; H02K  
1/148; H02K 1/14; H02P 6/06; F28F  
1/20; H01F 27/24; H01F 29/02; H01F  
37/00; H01F 17/062; Y10T 29/49009

See application file for complete search history.

(56) **References Cited**

U.S. PATENT DOCUMENTS

D443,585 S \* 6/2001 Shida ..... D13/122  
6,674,205 B2 \* 1/2004 Biaisi ..... H02K 1/274  
310/156.53  
D522,455 S \* 6/2006 Nishimura ..... D13/122

D537,778 S \* 3/2007 Miyazaki ..... D13/118  
7,474,029 B2 \* 1/2009 Rahman ..... H02K 1/2766  
310/156.56  
D586,747 S \* 2/2009 Yoshikawa ..... D13/118  
D642,527 S \* 8/2011 Li ..... D13/122  
8,294,326 B2 10/2012 Chai et al.  
D714,717 S 10/2014 Nakanoue et al.

(Continued)

FOREIGN PATENT DOCUMENTS

CN 101483359 A 7/2009  
CN 105393434 A 3/2016

(Continued)

OTHER PUBLICATIONS

Taiwan Notice of Allowance and Search Report for Taiwan Application No. 106305599, dated Apr. 19, 2018 with translation, 4 pages.

*Primary Examiner* — Derrick E Holland

(74) *Attorney, Agent, or Firm* — RatnerPrestia

(57) **CLAIM**

The ornamental design for a core for electromagnetic device, as shown and described.

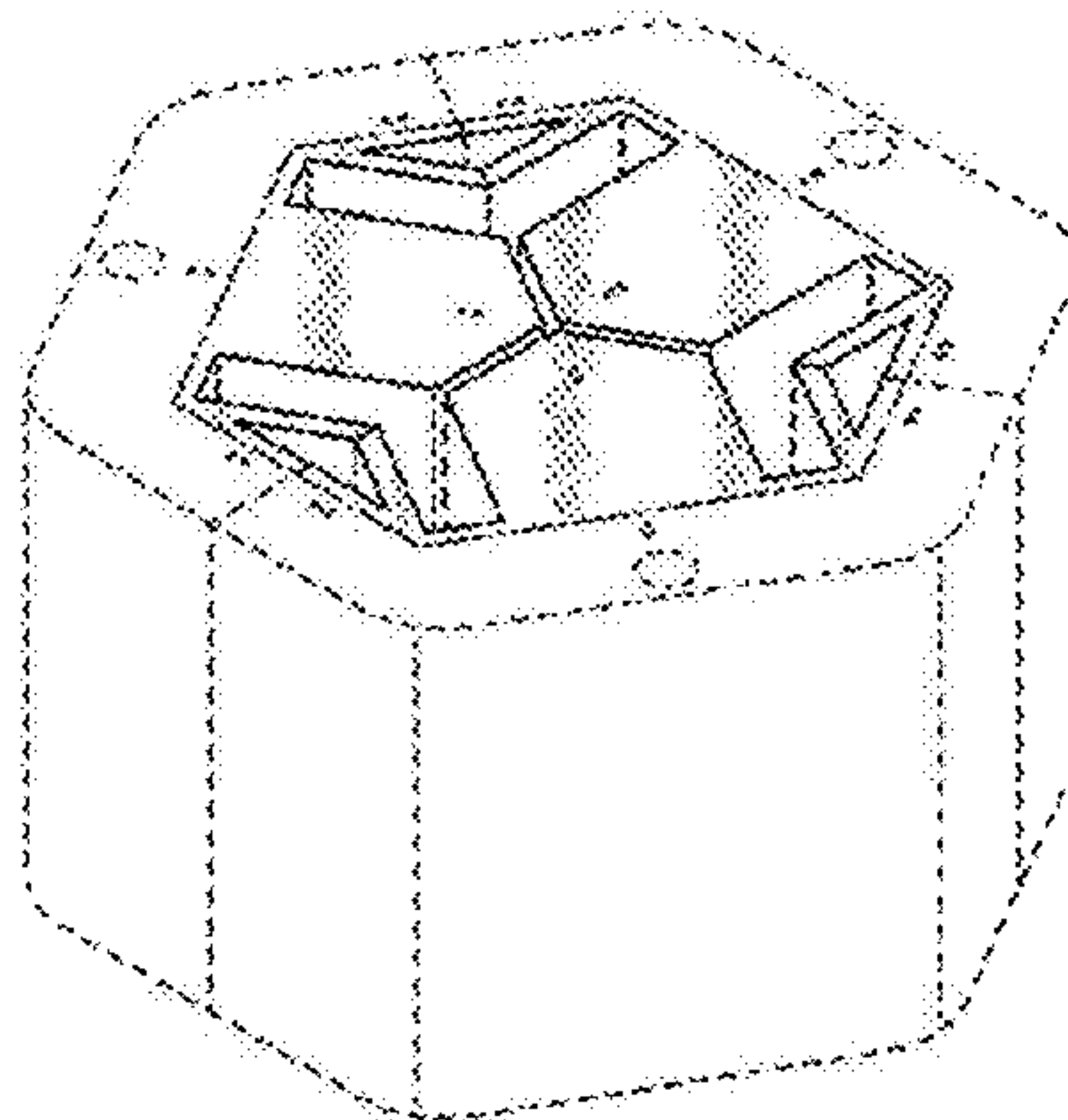
**DESCRIPTION**

FIG. 1 is a perspective view of a core for electromagnetic device showing our new design; FIG. 2 is a top plan view thereof; FIG. 3 is a front elevational view thereof; and, FIG. 4 is a right side elevational view thereof; the left side elevational view is a mirror image of the right side elevational view.

The broken lines in the figures illustrate the portions of the core for electromagnetic device that form no part of the claimed design.

The dot-dash broken lines represent the boundaries of the claim design and form no part thereof.

**1 Claim, 2 Drawing Sheets**



(56)

**References Cited**

U.S. PATENT DOCUMENTS

9,780,607 B2 10/2017 Weiske  
2004/0113511 A1\* 6/2004 Schmidt ..... H02K 1/148  
310/216.061  
2017/0011842 A1 1/2017 Ishigaki et al.  
2017/0154718 A1 6/2017 Maeda et al.

FOREIGN PATENT DOCUMENTS

JP 53073352 A 6/1978  
JP 2005192044 A1 7/2005  
JP 2008177500 A 7/2008  
JP 2010252539 A 11/2010  
JP 2013074084 A 4/2013  
JP 2015159657 A 9/2015  
JP 2017059805 A 3/2017  
JP 2017103269 A 6/2017  
JP 2017139438 A 8/2017  
TW M499003 U 4/2005  
TW I331835 10/2010  
TW M485570 U 9/2014

\* cited by examiner

FIG. 1

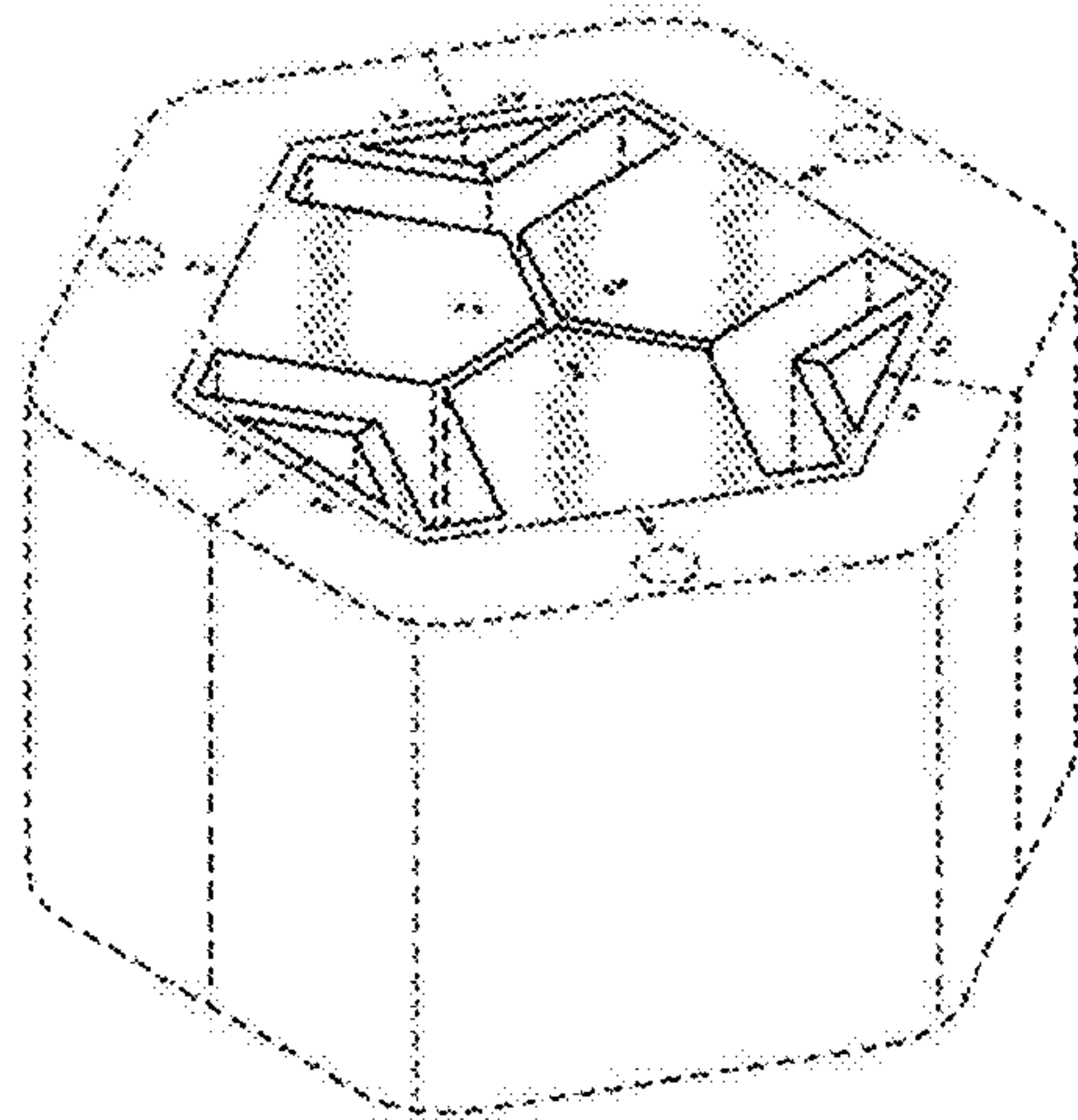


FIG. 2

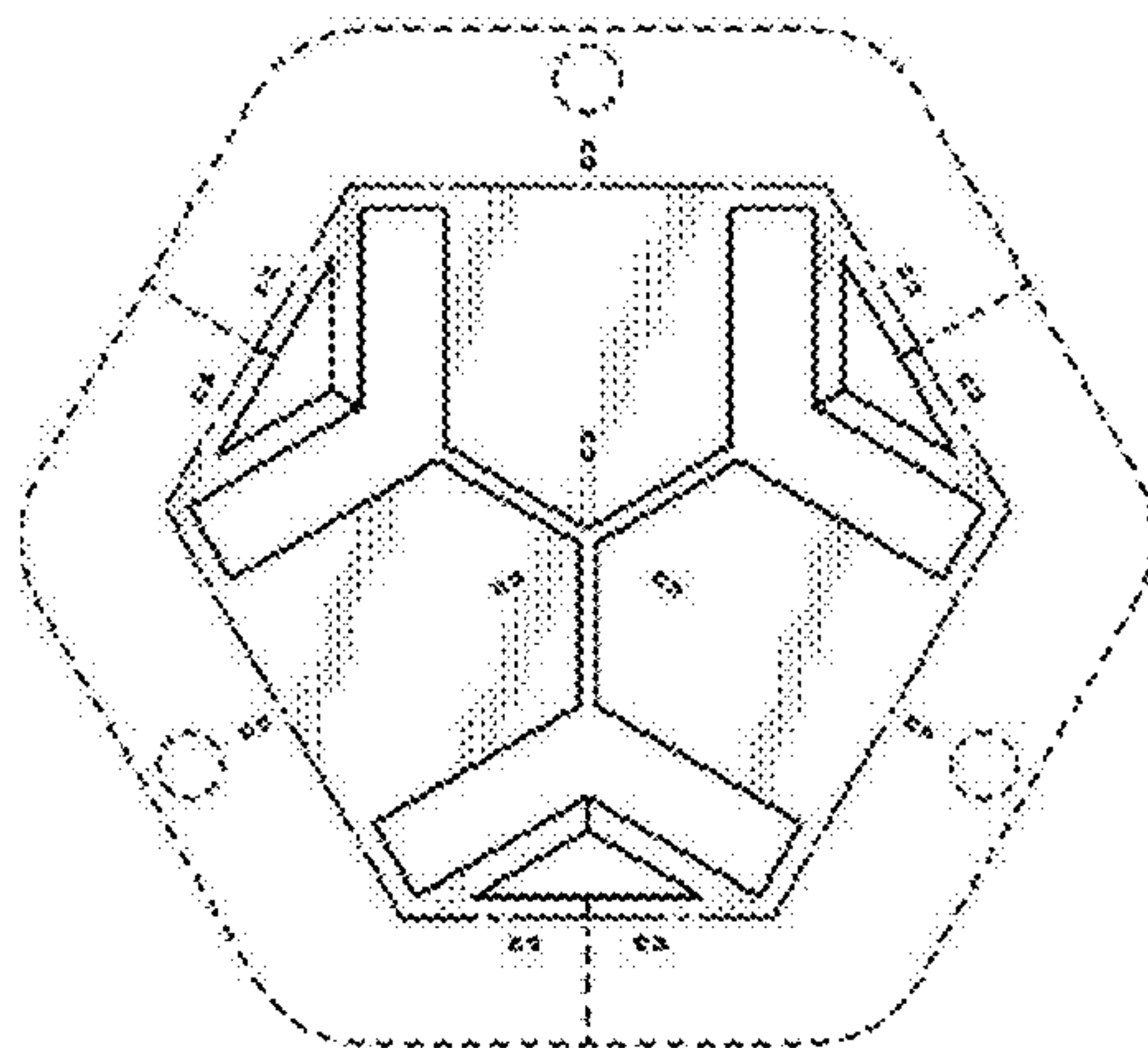


FIG. 3

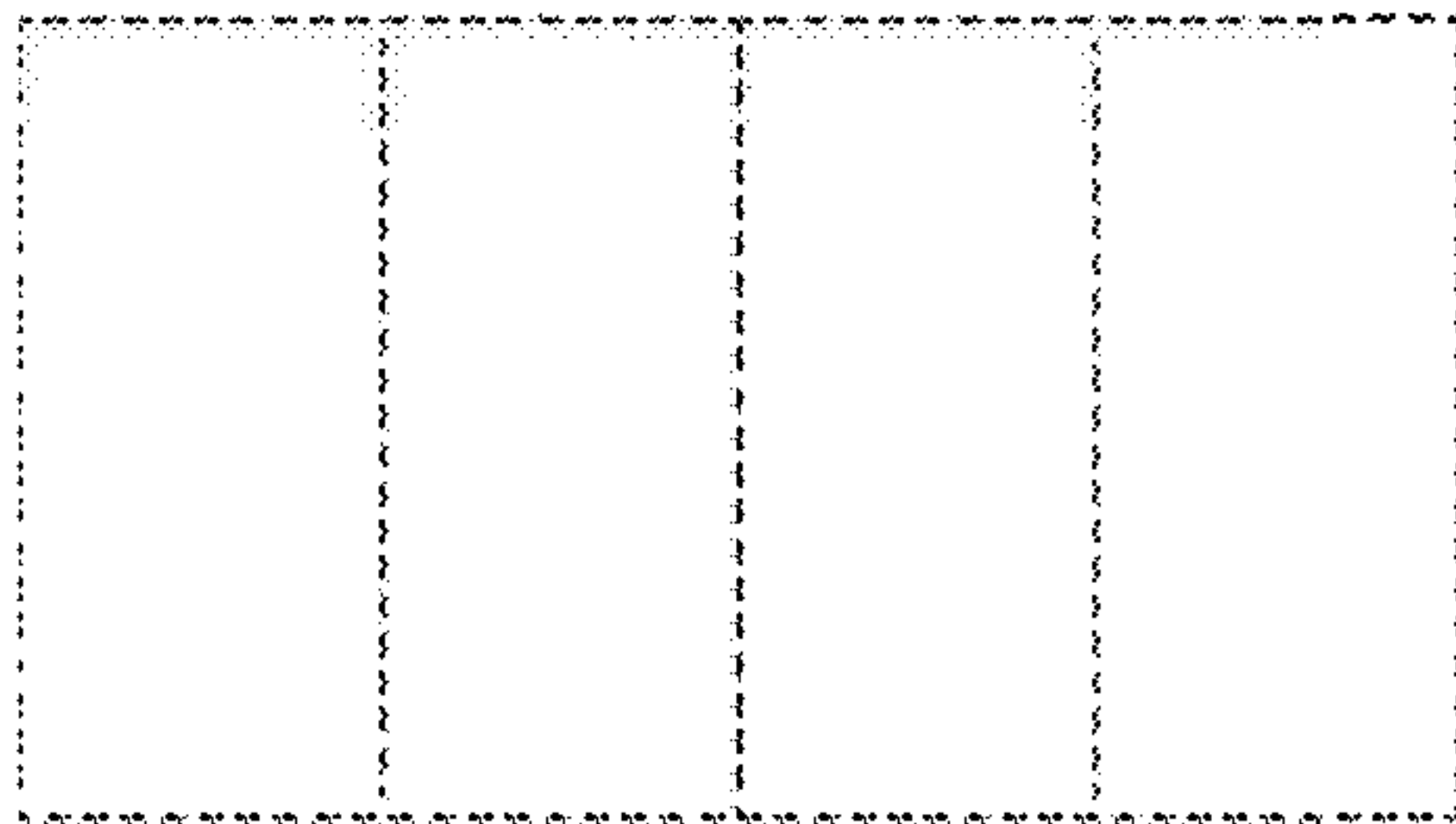


FIG. 4

