



US00D865669S

(12) **United States Design Patent** (10) **Patent No.:** **US D865,669 S**
Beer et al. (45) **Date of Patent:** **** Nov. 5, 2019**

(54) **TRANSFORMER**

H01F 27/02; H01F 27/002; H01F 27/06;
H02B 1/50; Y10T 29/49071

(71) Applicant: **Siemens Aktiengesellschaft**, Munich (DE)

See application file for complete search history.

(72) Inventors: **Andreas Beer**, Grasbrunn (DE); **Rudolf Hanov**, Weilheim (DE); **Florian Lohse**, Munich (DE); **Philip Zeitler**, Munich (DE)

(56) **References Cited**

U.S. PATENT DOCUMENTS

(73) Assignee: **Siemens Aktiengesellschaft**, Munich (DE)

D249,788 S *	10/1978	Nanjo	D13/116
D567,755 S *	4/2008	Heinzig	D13/110
D567,757 S *	4/2008	Hammer	D13/110
D613,687 S *	4/2010	Thorsteinsson	D13/110
D622,214 S *	8/2010	Thorsteinsson	D13/110
D631,839 S *	2/2011	Mockenhaupt	D13/110
D644,992 S *	9/2011	Sedberry	D13/110
D727,262 S *	4/2015	Omote	D13/110

(**) Term: **15 Years**

* cited by examiner

(21) Appl. No.: **29/597,992**

Primary Examiner — Derrick E Holland

(22) Filed: **Mar. 22, 2017**

(74) *Attorney, Agent, or Firm* — Schiff Hardin LLP

(30) **Foreign Application Priority Data**

Sep. 23, 2016 (EM) 001453336

(51) **LOC (12) Cl.** **13-02**

(52) **U.S. Cl.**
USPC **D13/110**

(58) **Field of Classification Search**
USPC D13/110, 101, 112, 114, 123, 162, 184,
D13/199; D14/356, 357; 361/600, 601,
361/707, 715, 730; 363/15, 35, 141, 157,
363/174, 175, 177
CPC H02M 7/068; H02M 7/10; H02M 3/28;
H02M 3/325; H02M 3/335; H02M
3/33523; H02M 3/3376; H01F 27/00;

(57) **CLAIM**

The ornamental design for a transformer, as shown and described.

DESCRIPTION

FIG. 1 is a front elevational view of a transformer showing our new design;
FIG. 2 is a back elevational view thereof;
FIG. 3 is a top plan view thereof;
FIG. 4 is a bottom plan view thereof;
FIG. 5 is a side elevational view of the right side thereof;
FIG. 6 is a side elevational view of the left side thereof; and,
FIG. 7 is a top, front, and right side perspective view thereof.

1 Claim, 7 Drawing Sheets

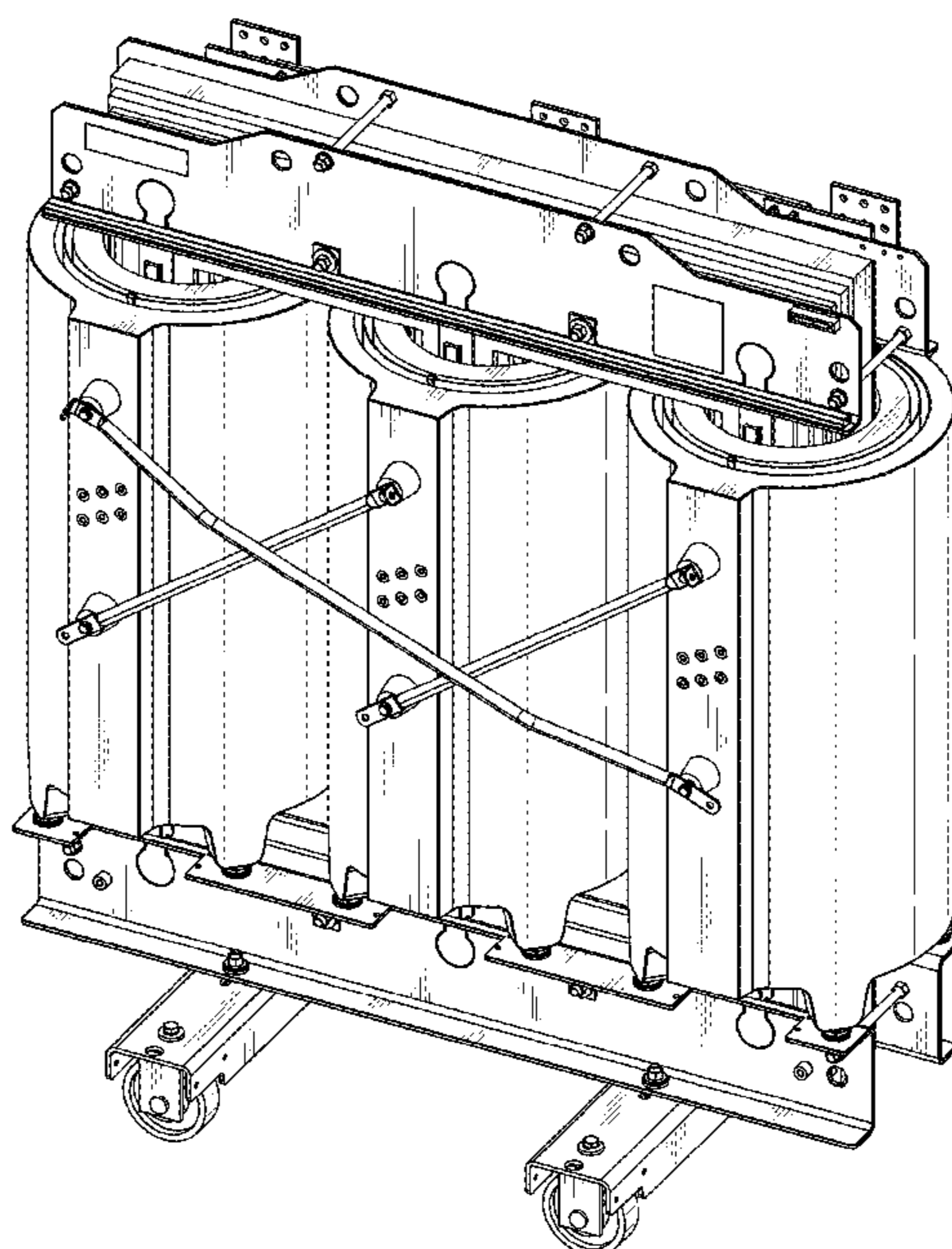


FIG. 1

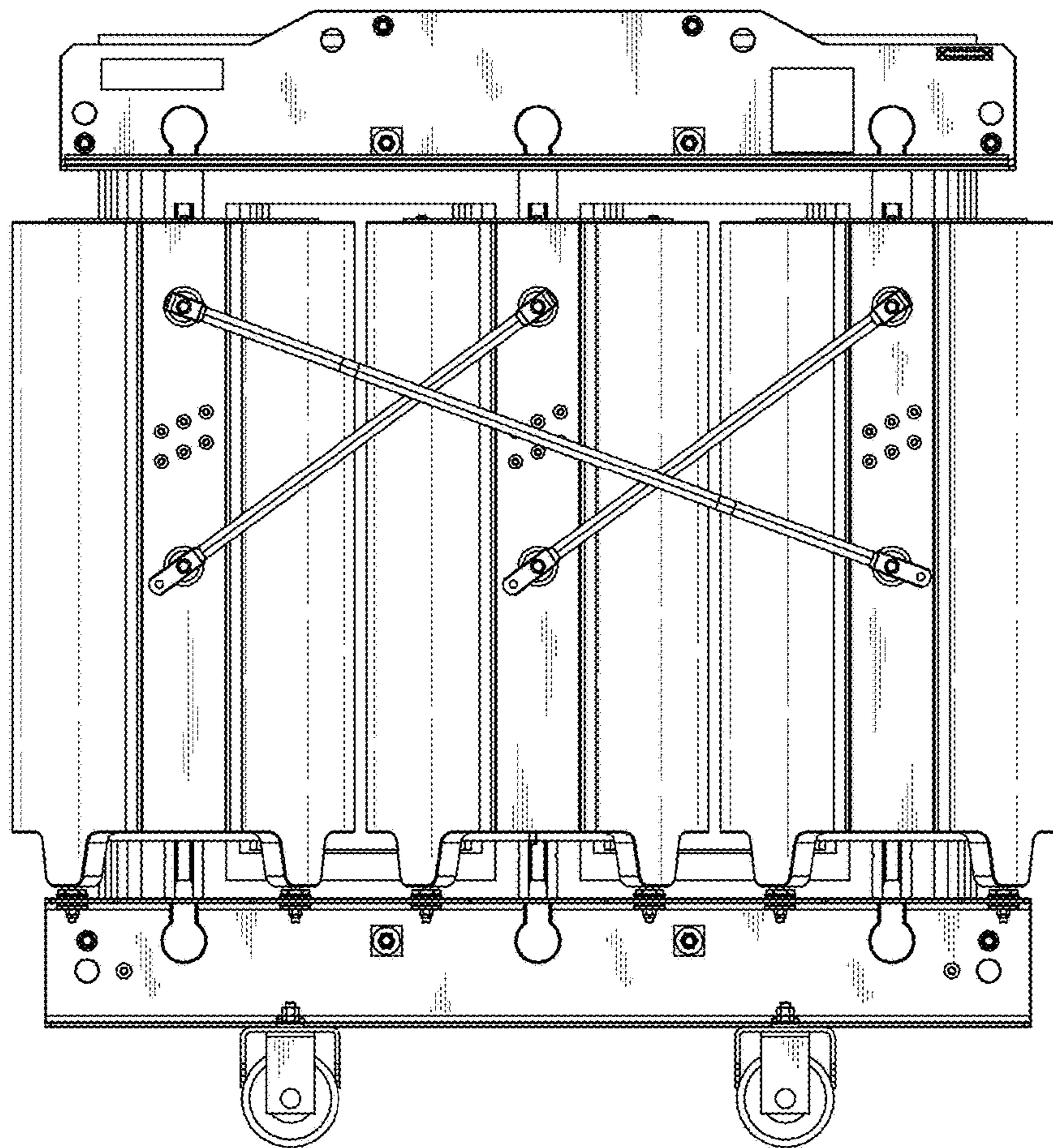


FIG. 2

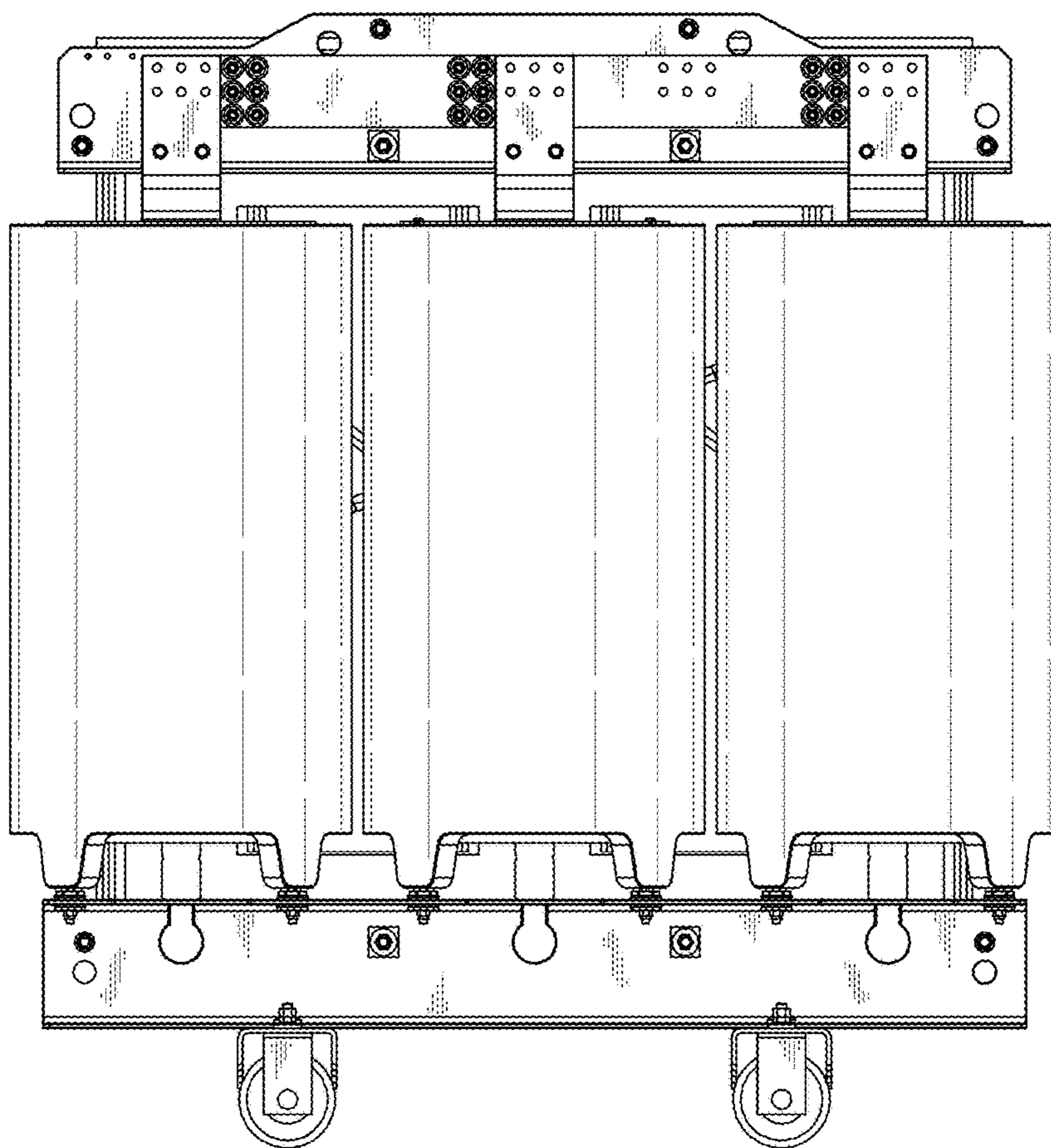


FIG. 3

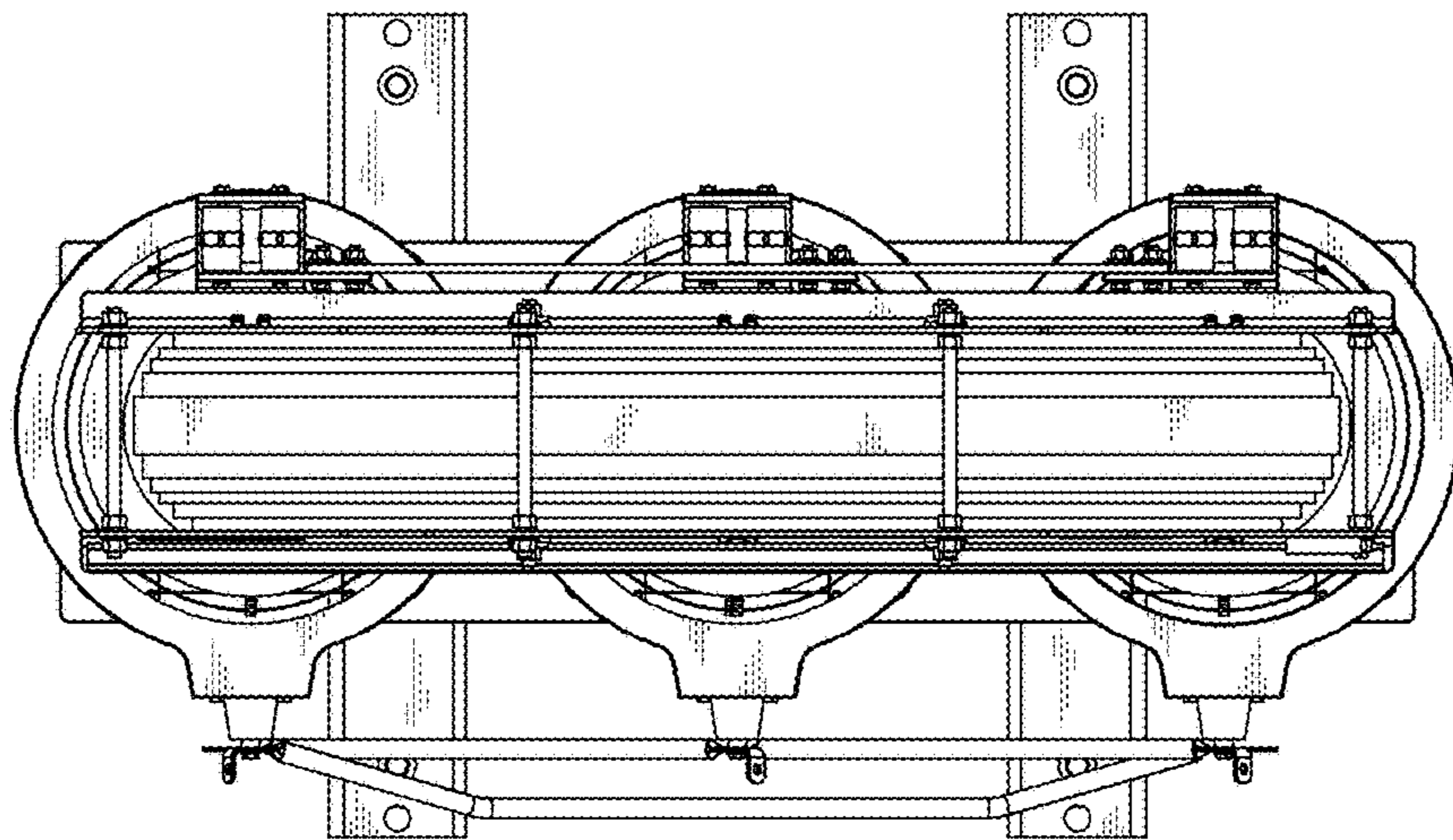


FIG. 4

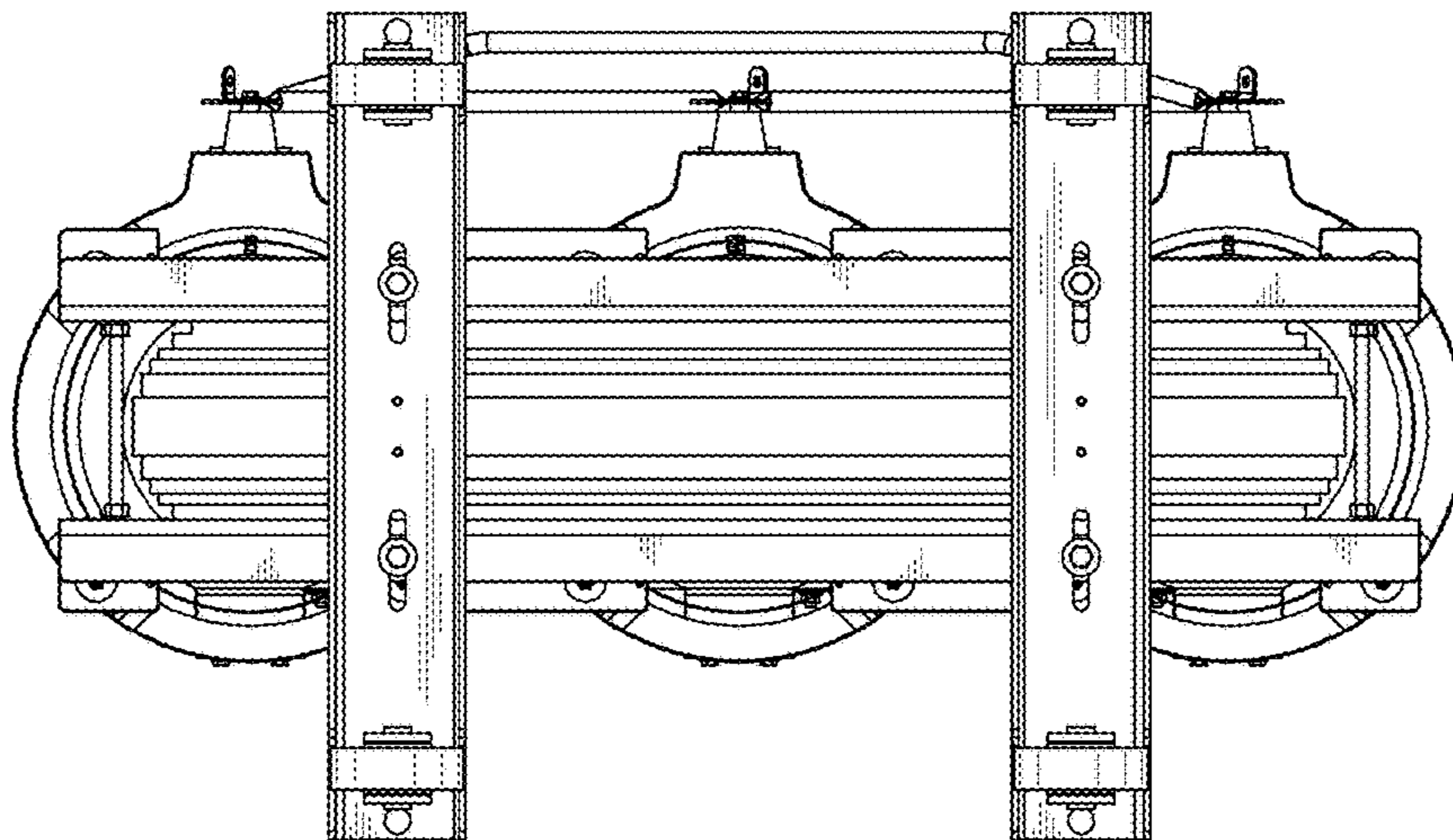


FIG. 5

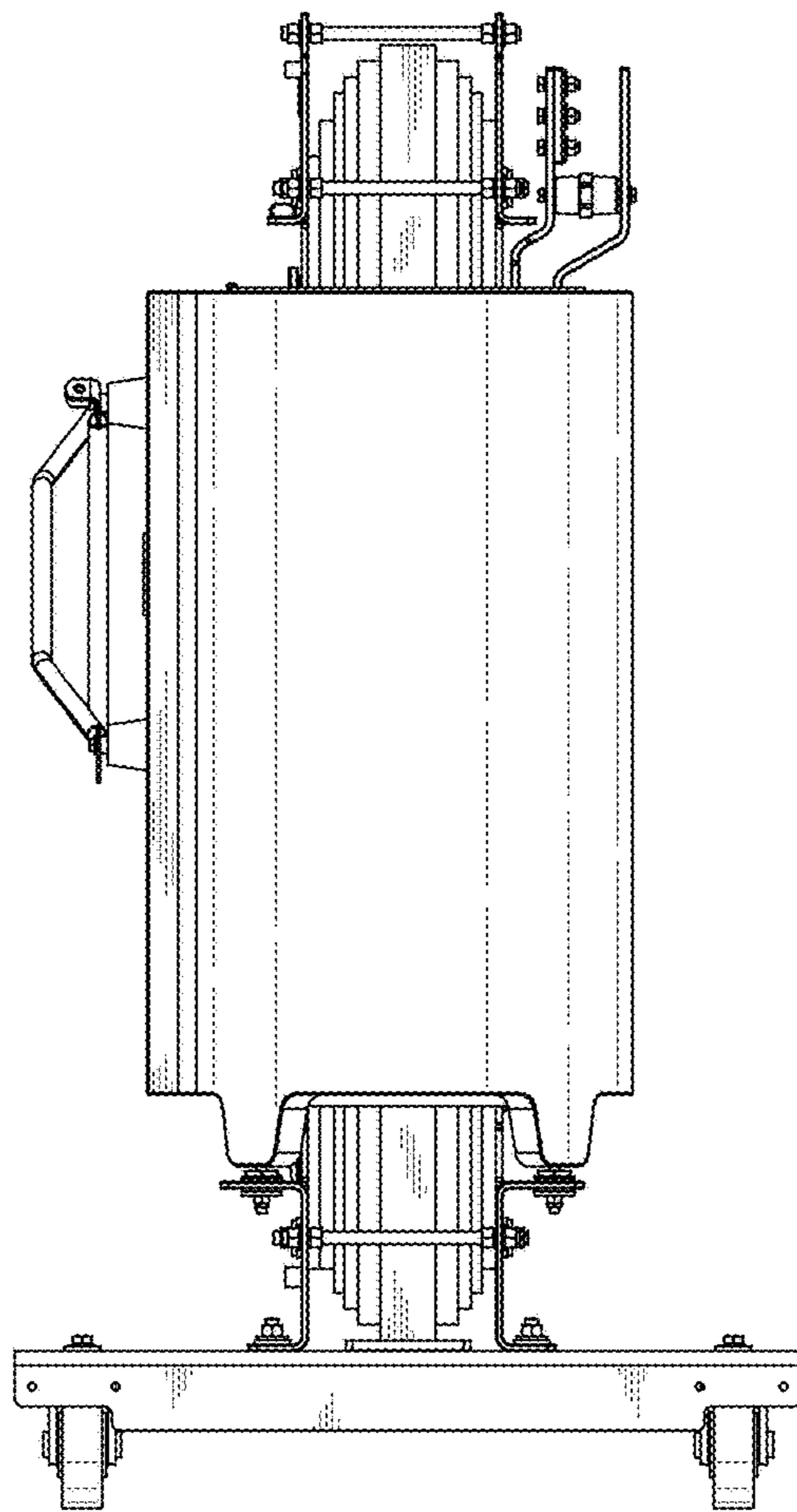


FIG. 6

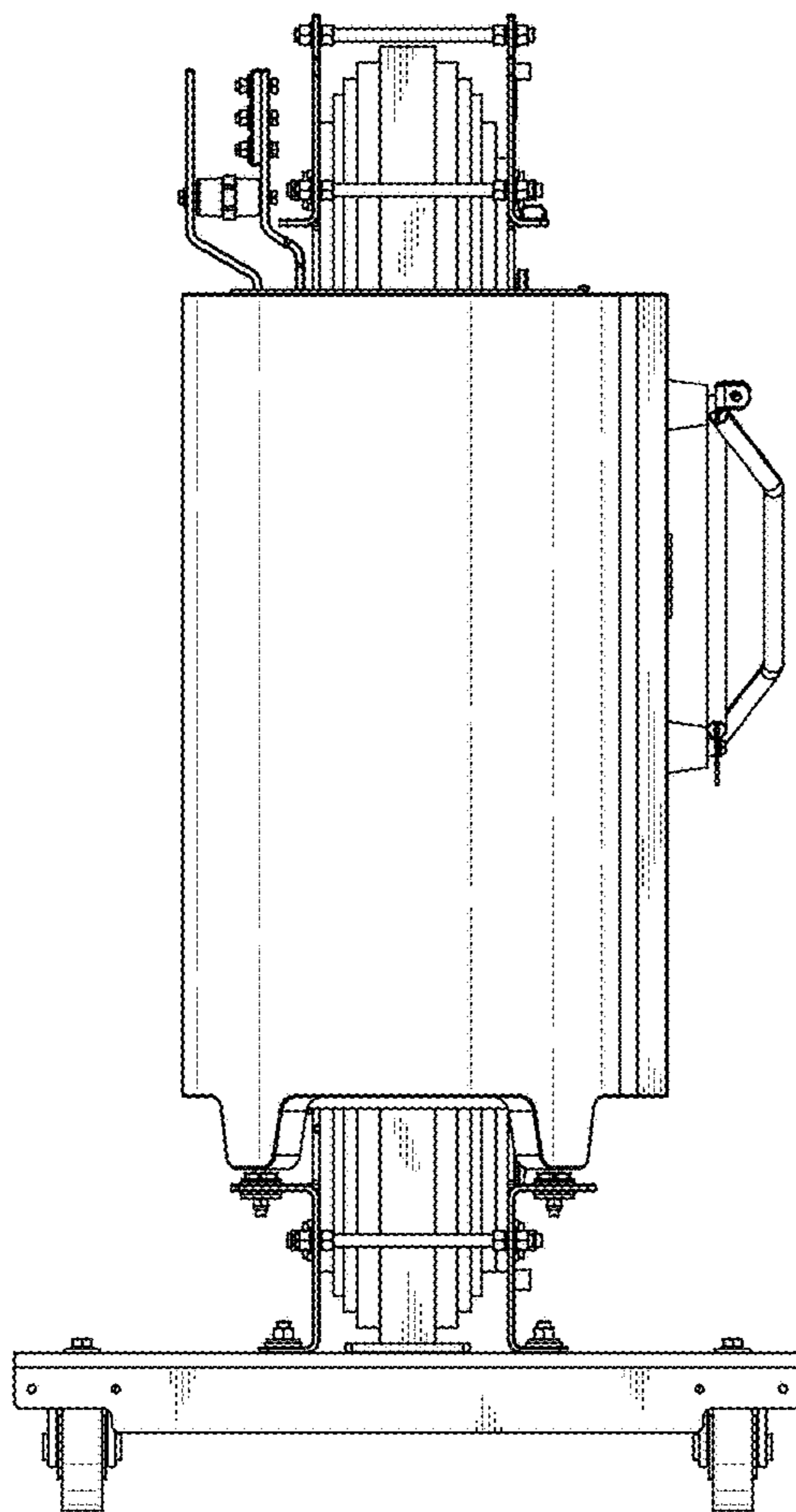


FIG. 7

