



US00D865665S

(12) **United States Design Patent**
Shor et al.

(10) **Patent No.:** **US D865,665 S**

(45) **Date of Patent:** **** Nov. 5, 2019**

(54) **CHARGING STATION**

(71) Applicant: **NeuroDerm, Ltd.**, Rehovot (IL)

(72) Inventors: **Eran Shor**, Arugot (IL); **Tsabar Mor**,
Adi (IL); **Nir Lilach**, Kfar Yehoshua
(IL); **Rami Grossfeld**, Haifa (IL); **Yoav**
Tikochinsky, Tel Aviv (IL); **Serdar**
Ozsumer, Milan (IT)

(73) Assignee: **NeuroDerm, Ltd.**, Rehovot (IL)

(**) Term: **15 Years**

(21) Appl. No.: **29/655,591**

(22) Filed: **Jul. 5, 2018**

(51) **LOC (12) Cl.** **13-02**

(52) **U.S. Cl.**
USPC **D13/108**

(58) **Field of Classification Search**
USPC D13/107-110, 118-119, 184; D14/251,
D14/253, 432, 434
CPC Y02E 60/12; Y02T 90/14; Y02T 90/122;
Y02T 90/128; Y02T 90/163; Y02T
10/7005; Y02T 10/7088; H02J 7/025;
H02J 7/0042; H02J 7/0044; H02J 7/0045;
H02J 7/0003; H01F 38/14; H01R
13/6675; H01M 2/1022; H01M 2/1055;
H01M 10/44; H01M 10/46; H01M
10/425; B60L 11/182

See application file for complete search history.

(56) **References Cited**

U.S. PATENT DOCUMENTS

D668,605 S	*	10/2012	Park	D13/108
D729,163 S	*	5/2015	Meyer	D13/107
D762,648 S	*	8/2016	Akana	D14/434
D781,841 S	*	3/2017	Salathe	D14/253
D784,343 S	*	4/2017	Chen	D14/434
D832,782 S	*	11/2018	Leabman	D13/108
D832,783 S	*	11/2018	Leabman	D13/108
D857,019 S	*	8/2019	Mecchella	D14/434

* cited by examiner

Primary Examiner — Rosemary K Tarcza

(74) *Attorney, Agent, or Firm* — Goodwin Procter LLP

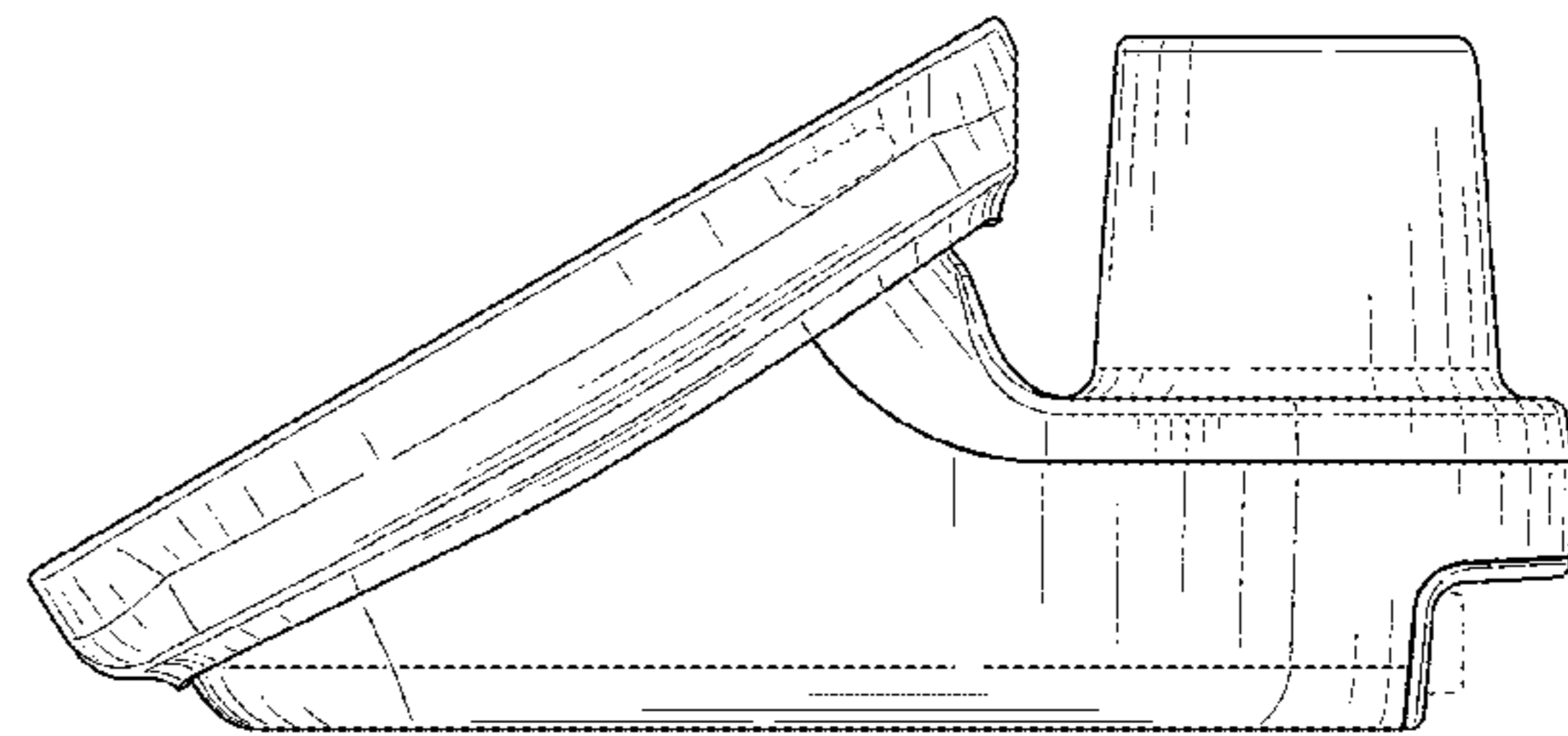
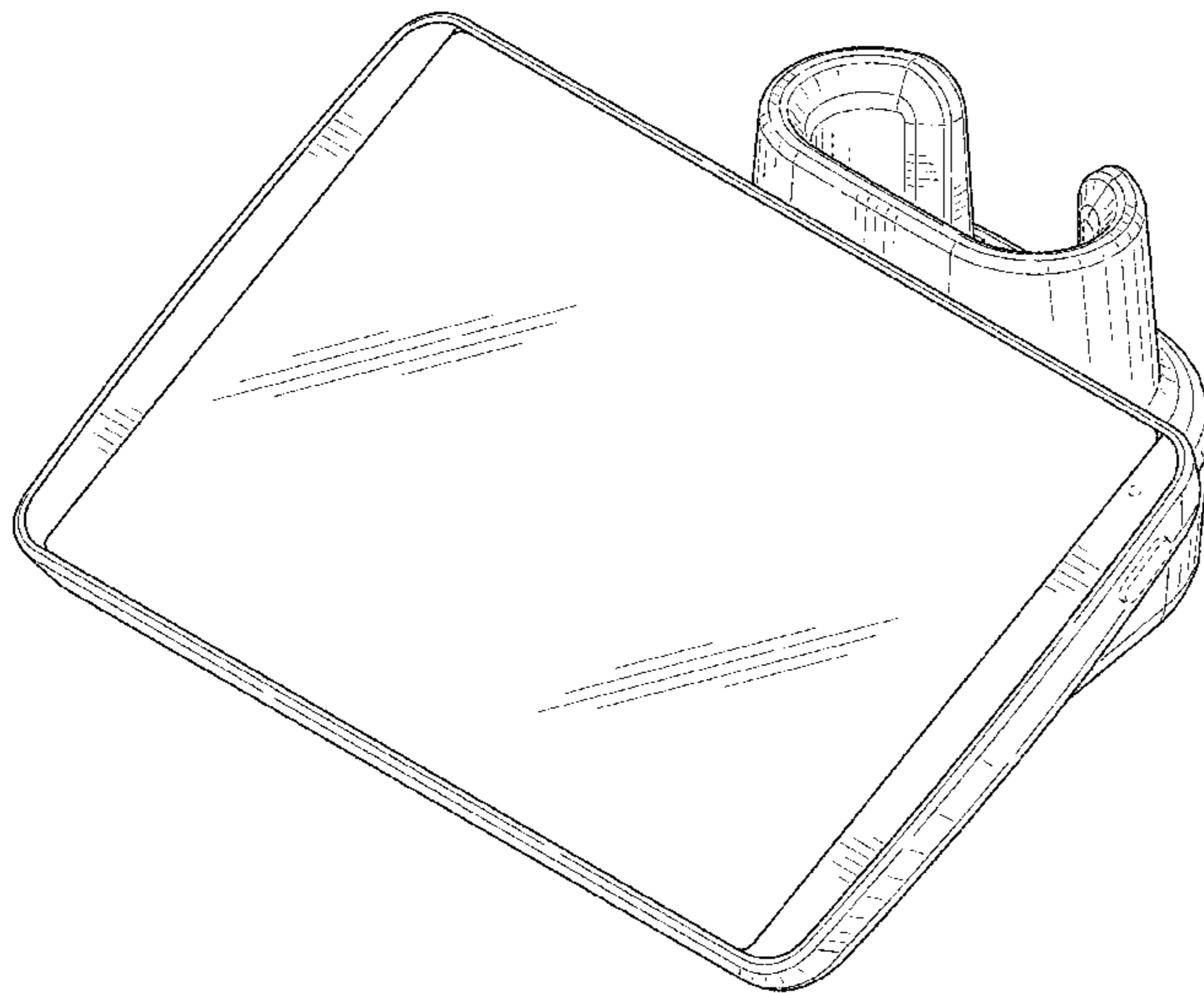
(57) **CLAIM**

The ornamental design for a charging station, as shown and described.

DESCRIPTION

FIG. 1 is a front perspective view of a charging station; FIG. 2 is a front view of the charging station; FIG. 3 is a rear view of the charging station; FIG. 4 is a right side view of the charging station; FIG. 5 is a left side view of the charging station; FIG. 6 is a top view of the charging station; FIG. 7 is a bottom view of the charging station; and, FIG. 8 is a rear perspective view of the charging station. The broken lines shown in the drawings are included for the purpose of illustrating portions of the charging station which form no part of the claimed design.

1 Claim, 6 Drawing Sheets



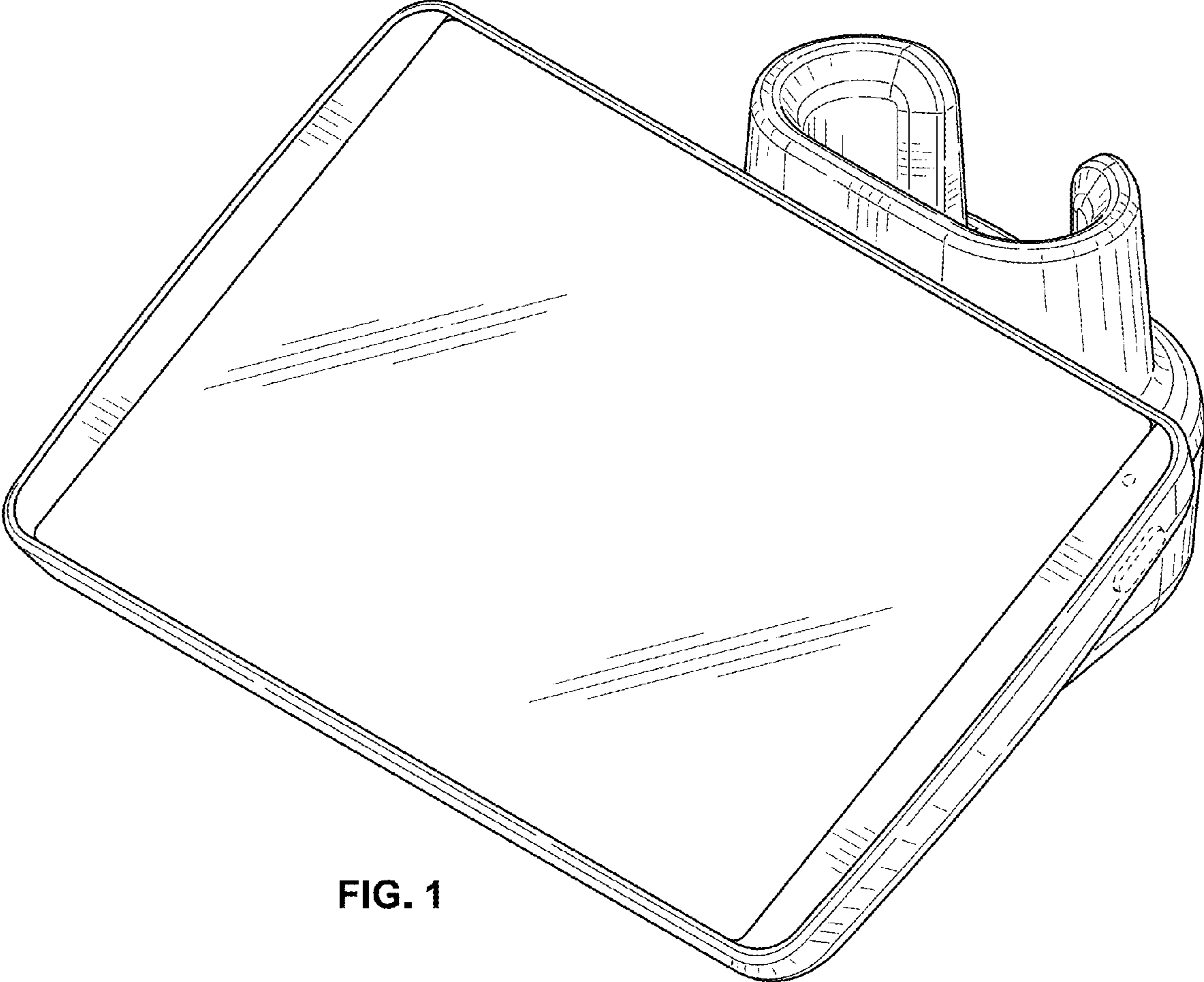


FIG. 1

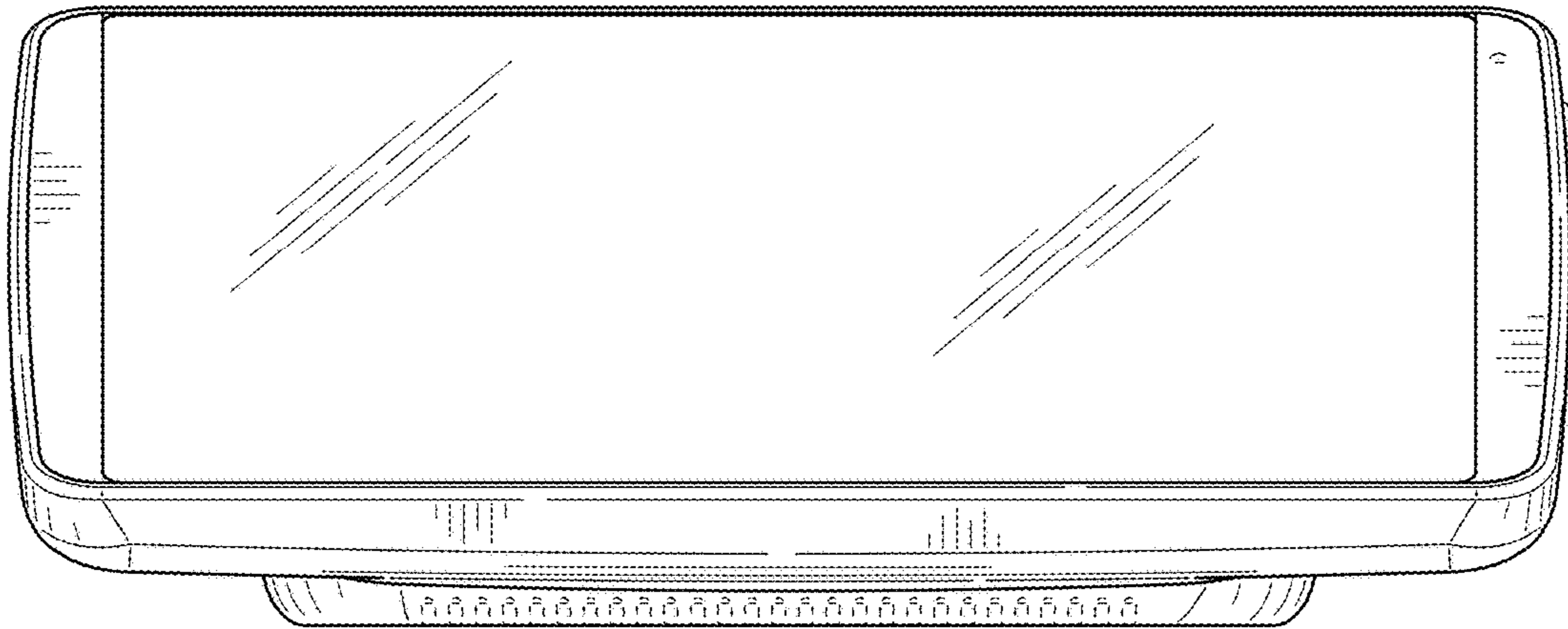


FIG. 2

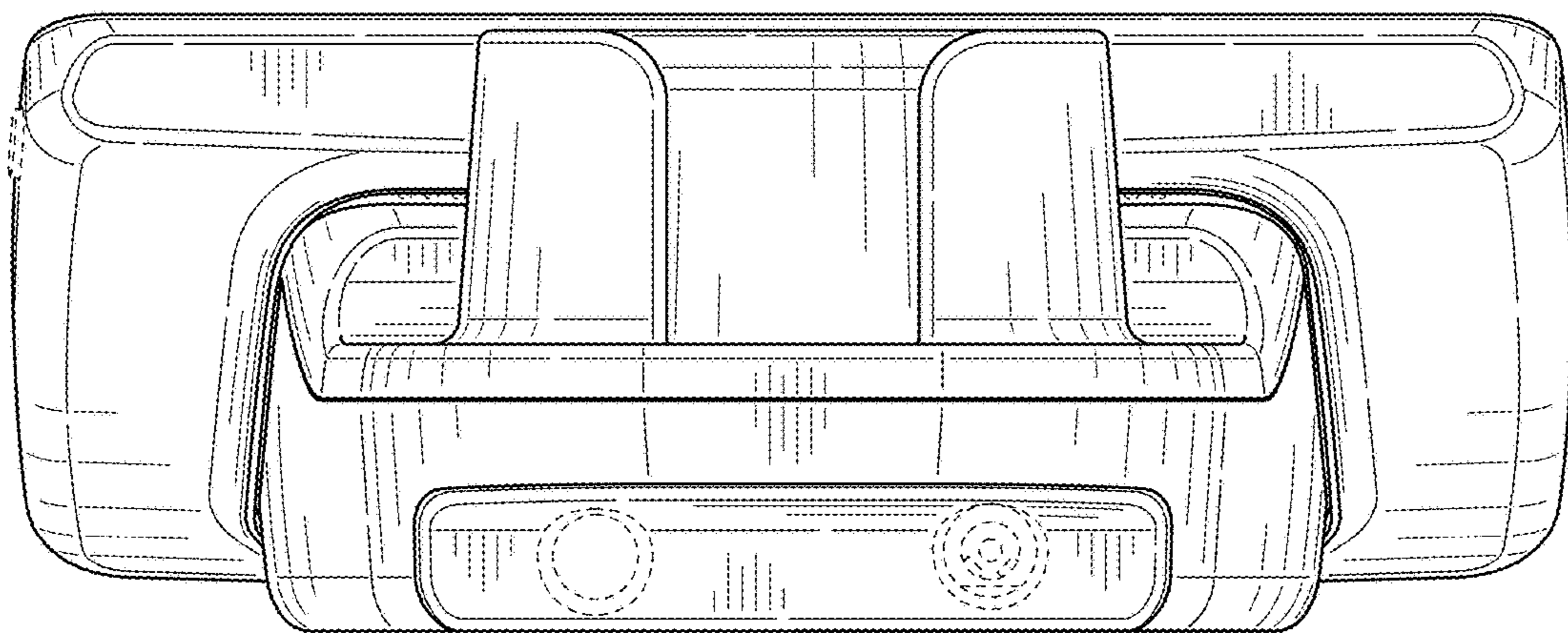


FIG. 3

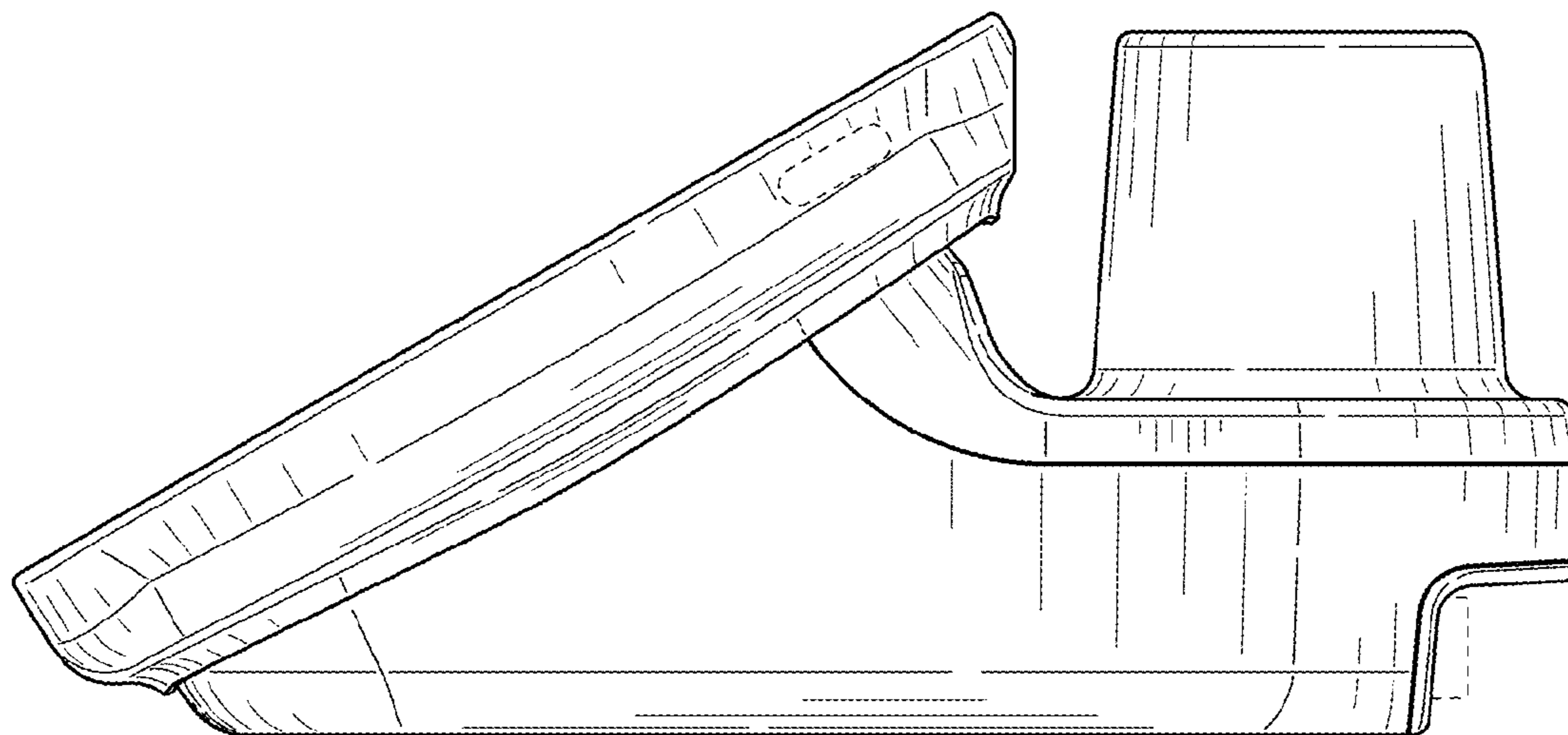


FIG. 4

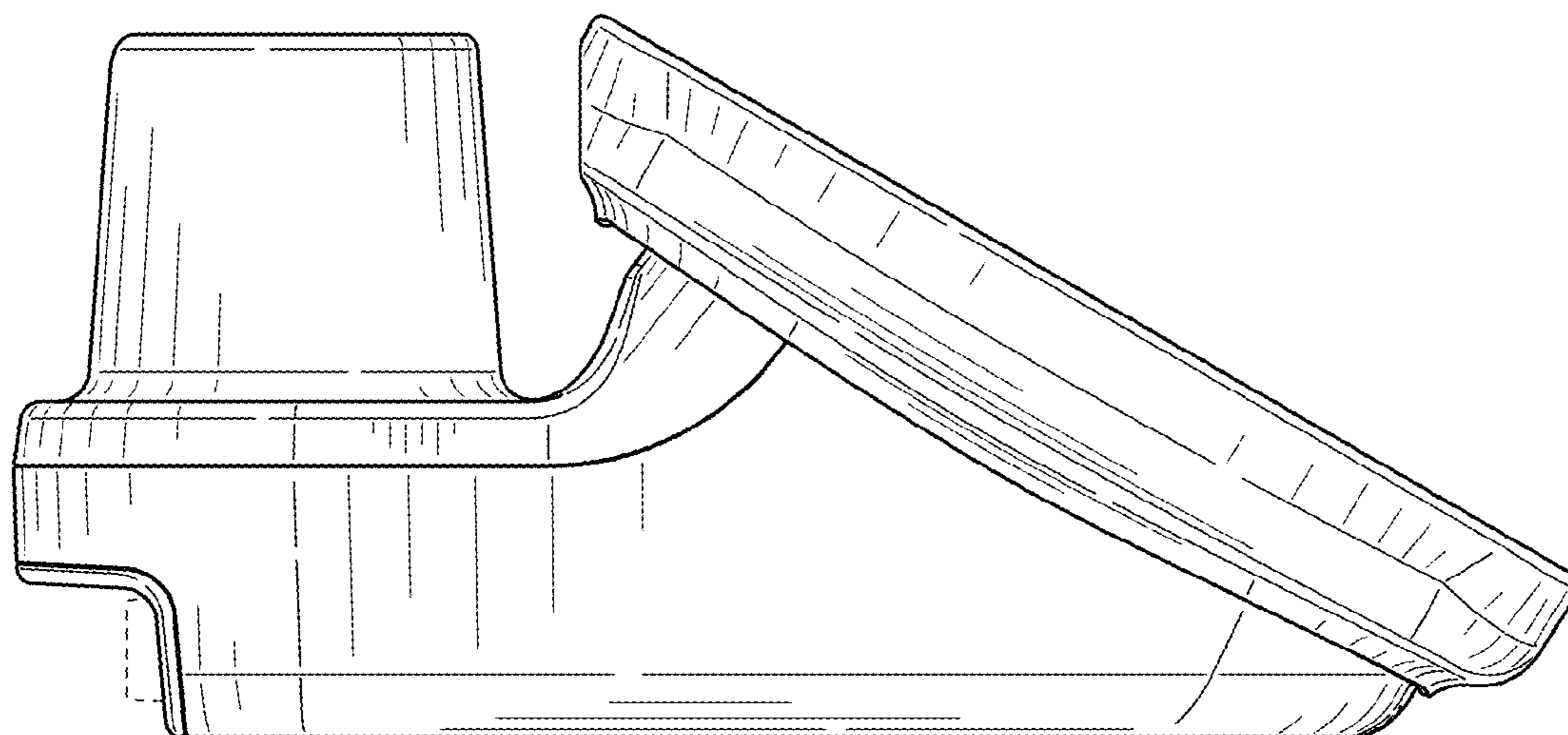


FIG. 5

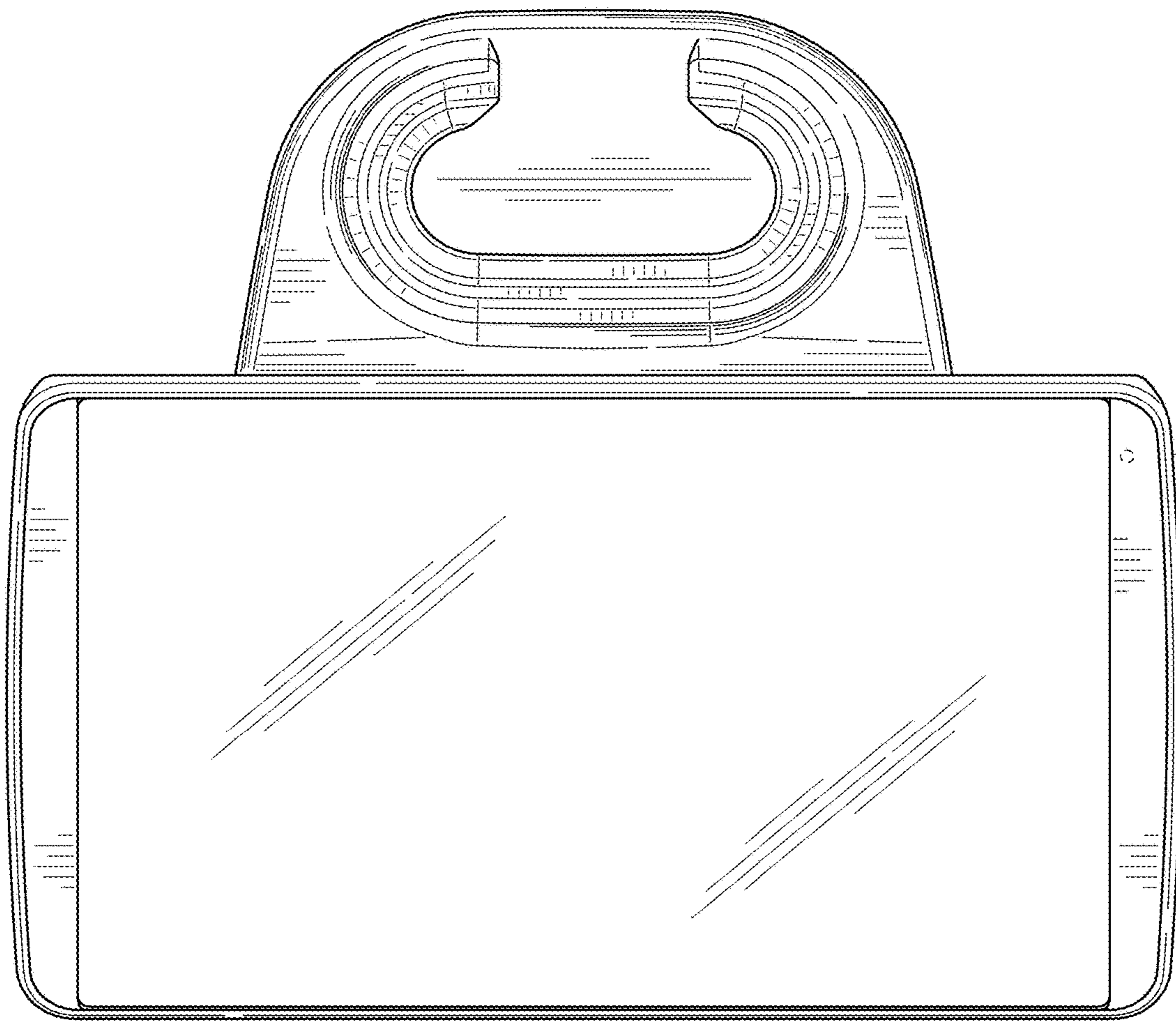


FIG. 6

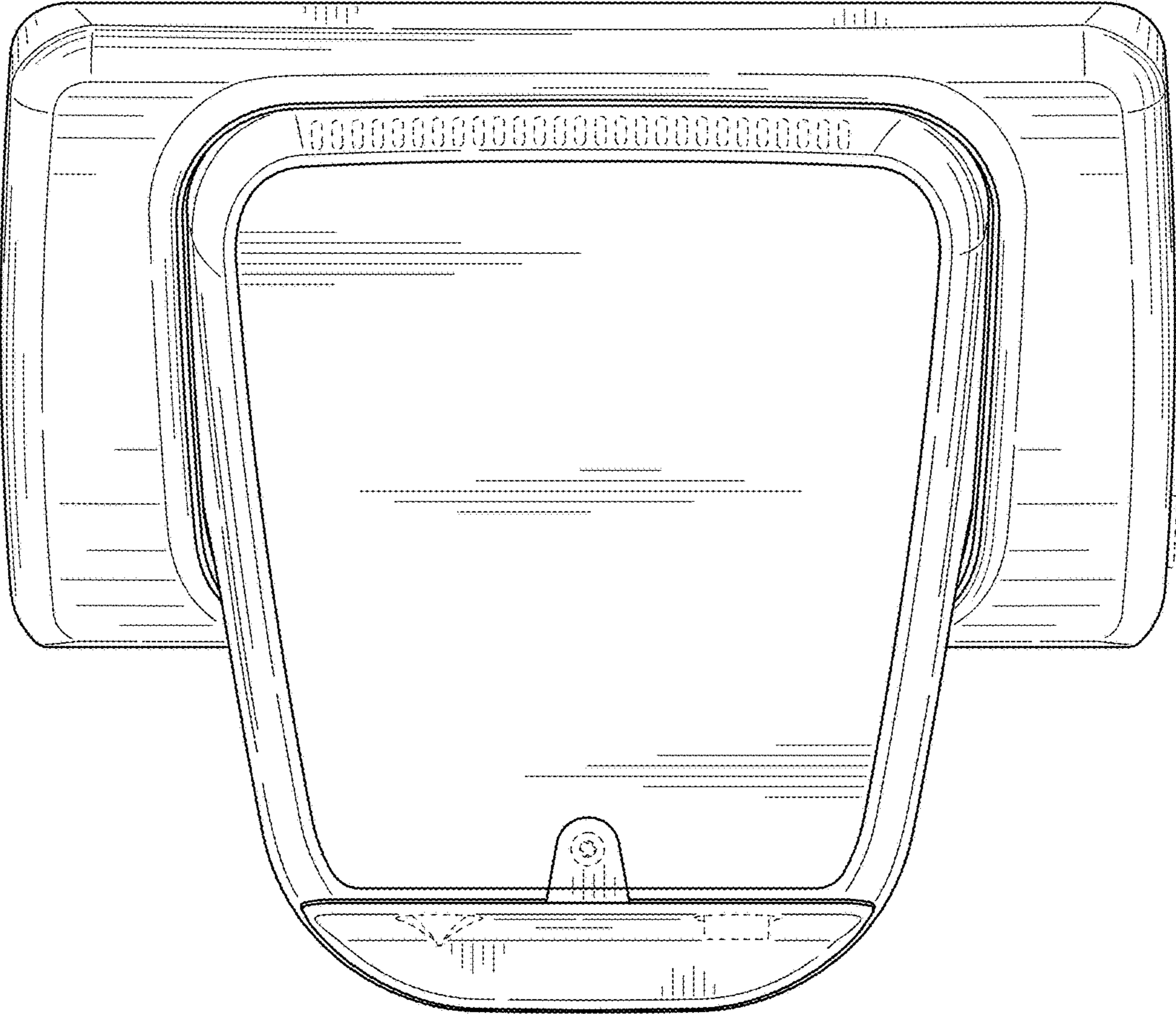


FIG. 7

