

US00D865661S

(12) **United States Design Patent** (10) **Patent No.:** **US D865,661 S**
Lin (45) **Date of Patent:** **** Nov. 5, 2019**

(54) **CHARGING APPARATUS**
(71) Applicant: **Yu-Tang Lin**, New Taipei (TW)
(72) Inventor: **Yu-Tang Lin**, New Taipei (TW)
(**) Term: **15 Years**
(21) Appl. No.: **29/638,356**
(22) Filed: **Feb. 27, 2018**

(30) **Foreign Application Priority Data**
Feb. 5, 2018 (TW) 107300713
(51) **LOC (12) Cl.** **13-02**
(52) **U.S. Cl.**
USPC **D13/107**
(58) **Field of Classification Search**
USPC D13/103-110, 118-119, 112-116
CPC H02J 7/0042; H02J 7/0045; H02J 7/0054;
H02J 7/0044; H02J 2007/0062
See application file for complete search history.

(56) **References Cited**
U.S. PATENT DOCUMENTS
D400,499 S * 11/1998 Bunyea D13/107
D610,085 S * 2/2010 Sweeney D13/107
D621,345 S * 8/2010 Tinius D13/107
D705,729 S * 5/2014 Inskeep D13/110
D817,871 S * 5/2018 Li D13/107
D838,239 S * 1/2019 Stray D13/107
D839,183 S * 1/2019 Kirkpatrick D13/107

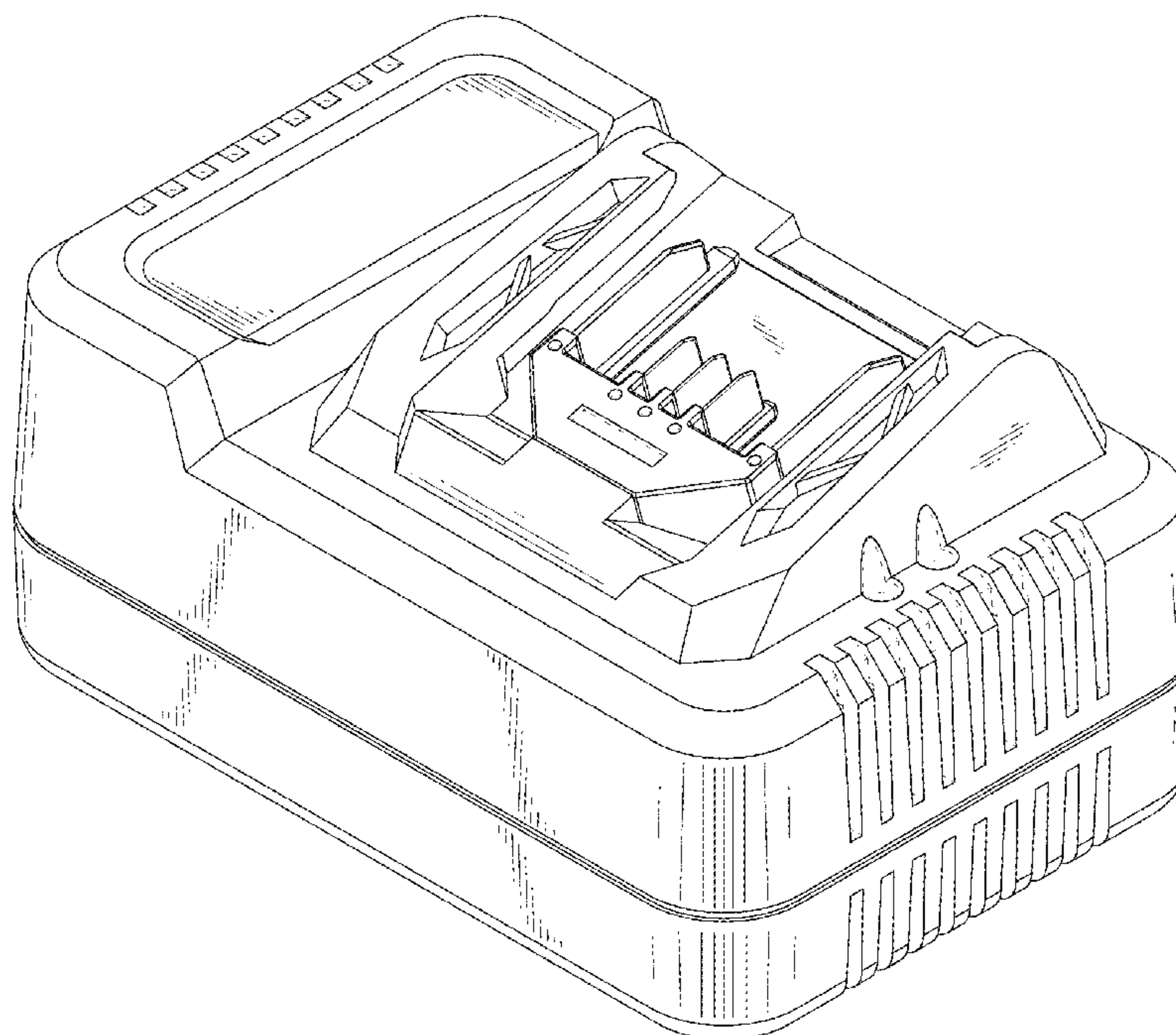
2012/0098494 A1* 4/2012 Ogura H02J 7/0045
320/112
2016/0072327 A1* 3/2016 Knutson H02J 7/0044
320/108
2018/0278071 A1* 9/2018 Murakami H02J 7/0045
* cited by examiner

Primary Examiner — Brett Miller
(74) *Attorney, Agent, or Firm* — Alan D. Kamrath; Mayer & Williams PC

(57) **CLAIM**
The ornamental design for a charging apparatus, as shown and described.

DESCRIPTION
FIG. 1 is a perspective view of a charging apparatus, showing my new design;
FIG. 2 is another perspective view thereof;
FIG. 3 is a further perspective view thereof;
FIG. 4 is a front view thereof;
FIG. 5 is a rear view thereof;
FIG. 6 is a left side view thereof;
FIG. 7 is a right side view thereof;
FIG. 8 is a top view thereof; and,
FIG. 9 is a bottom view thereof.
Wherein in the above-accompanying drawings, the broken lines are shown for illustrative purposes only and form no part of the claimed design.

1 Claim, 9 Drawing Sheets



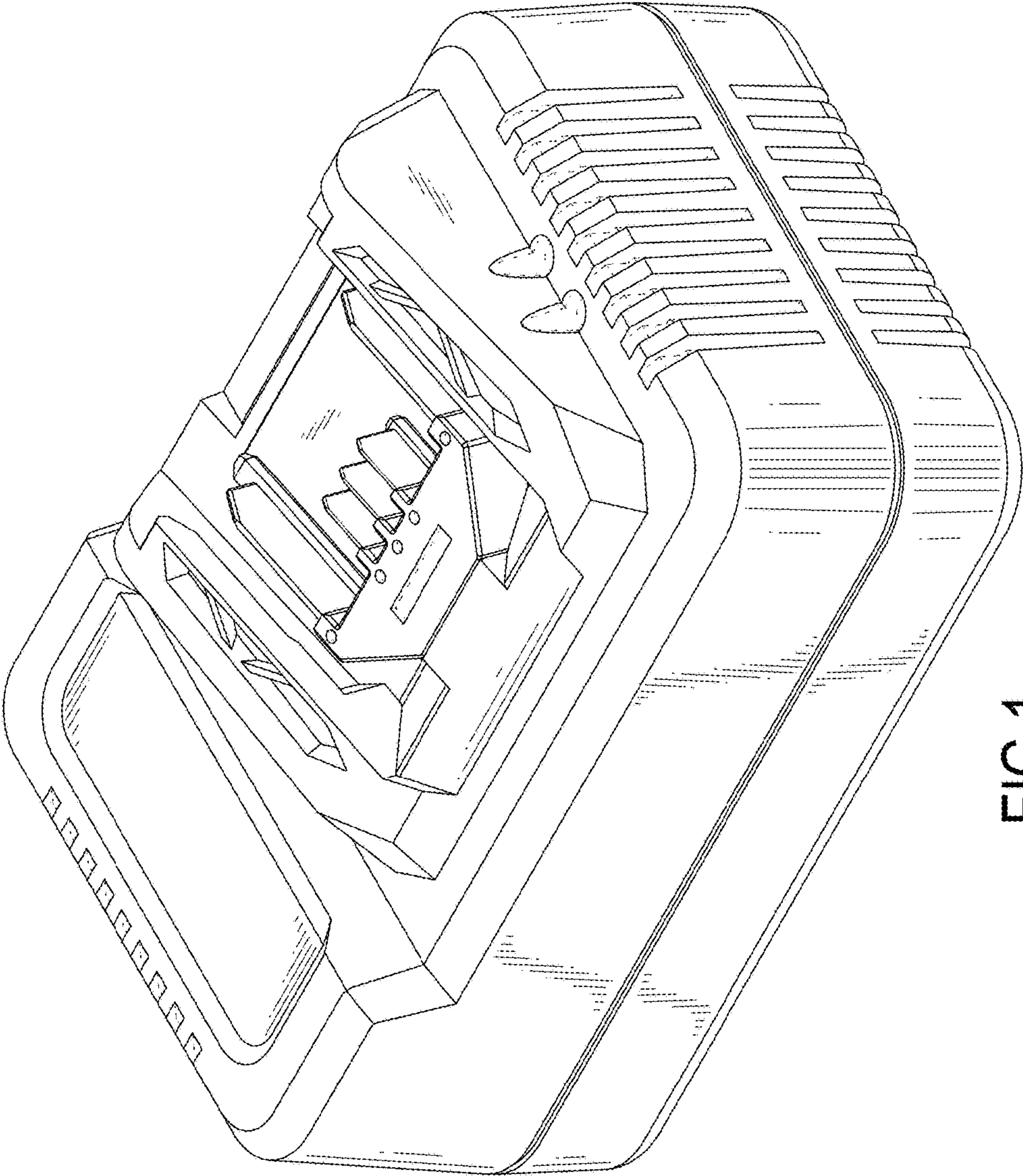


FIG.1

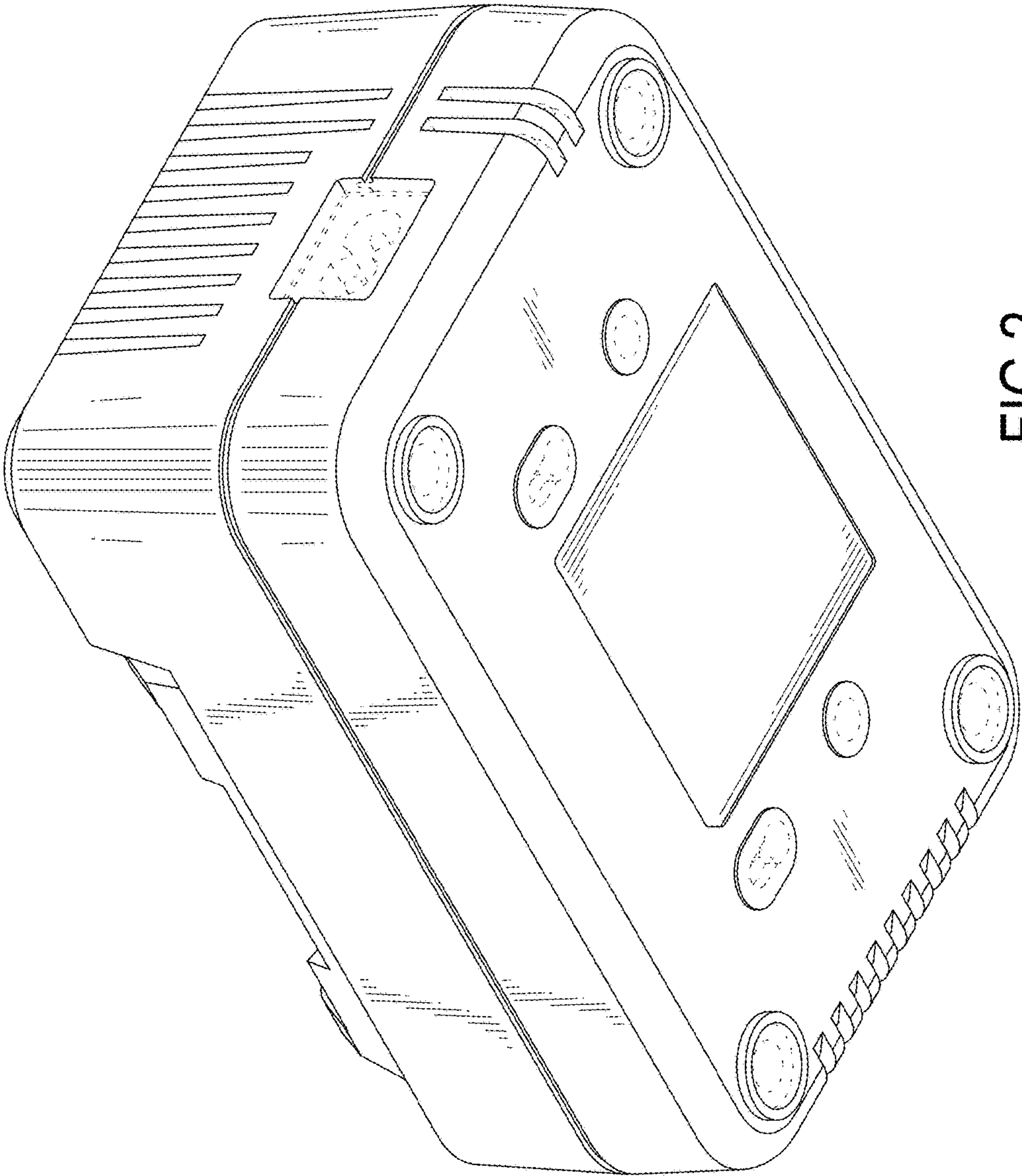


FIG.2

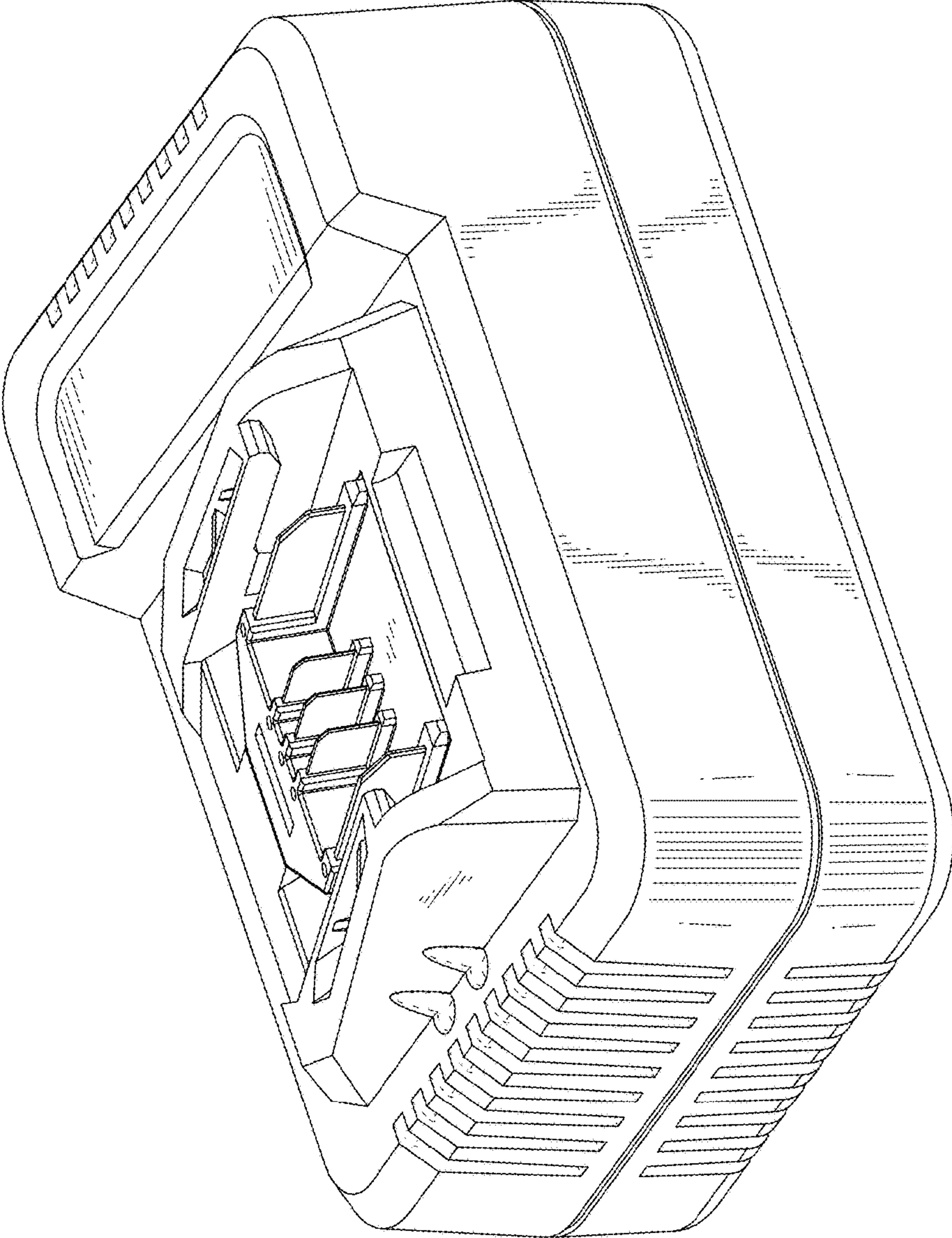


FIG.3

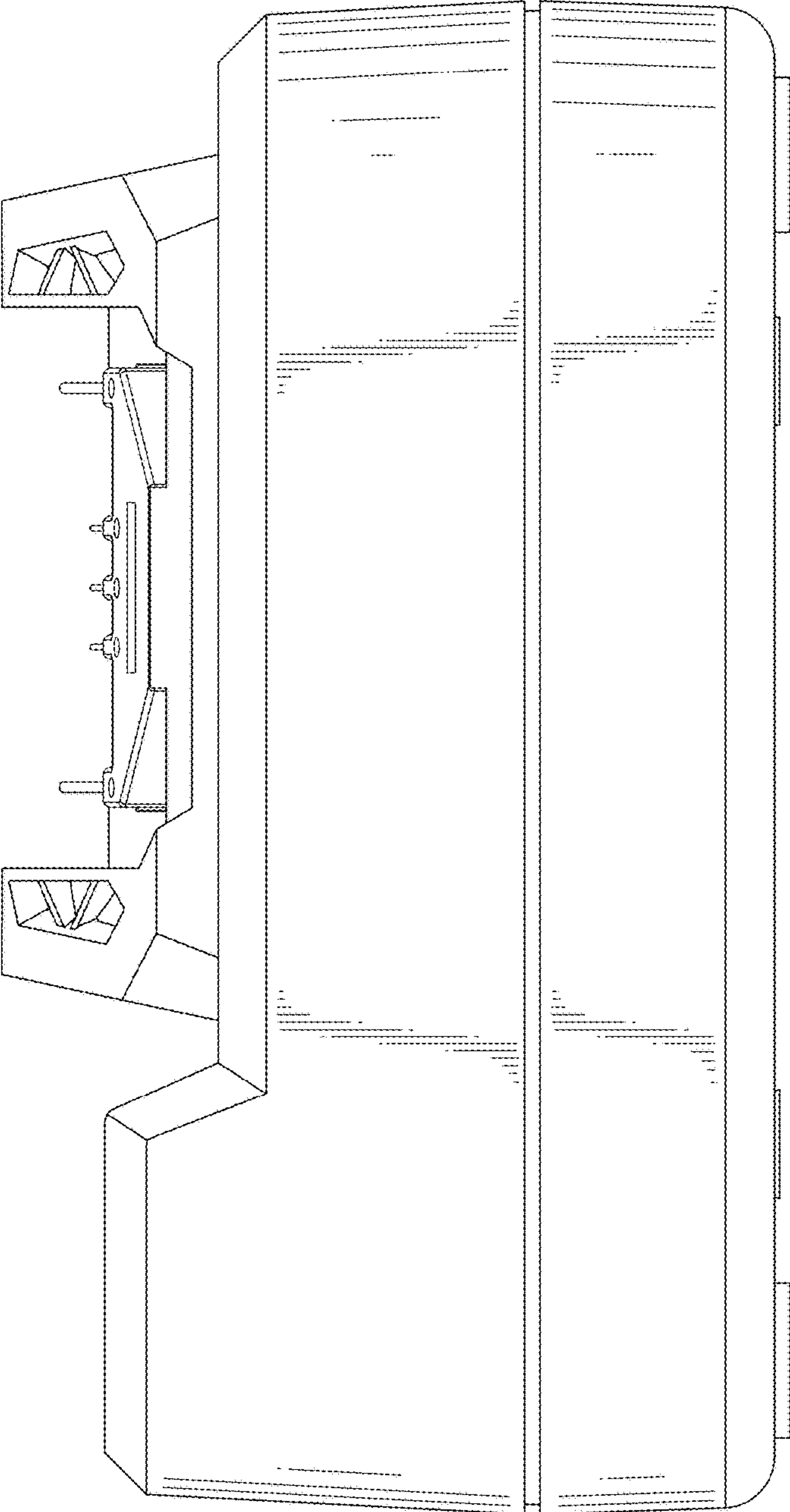


FIG.4

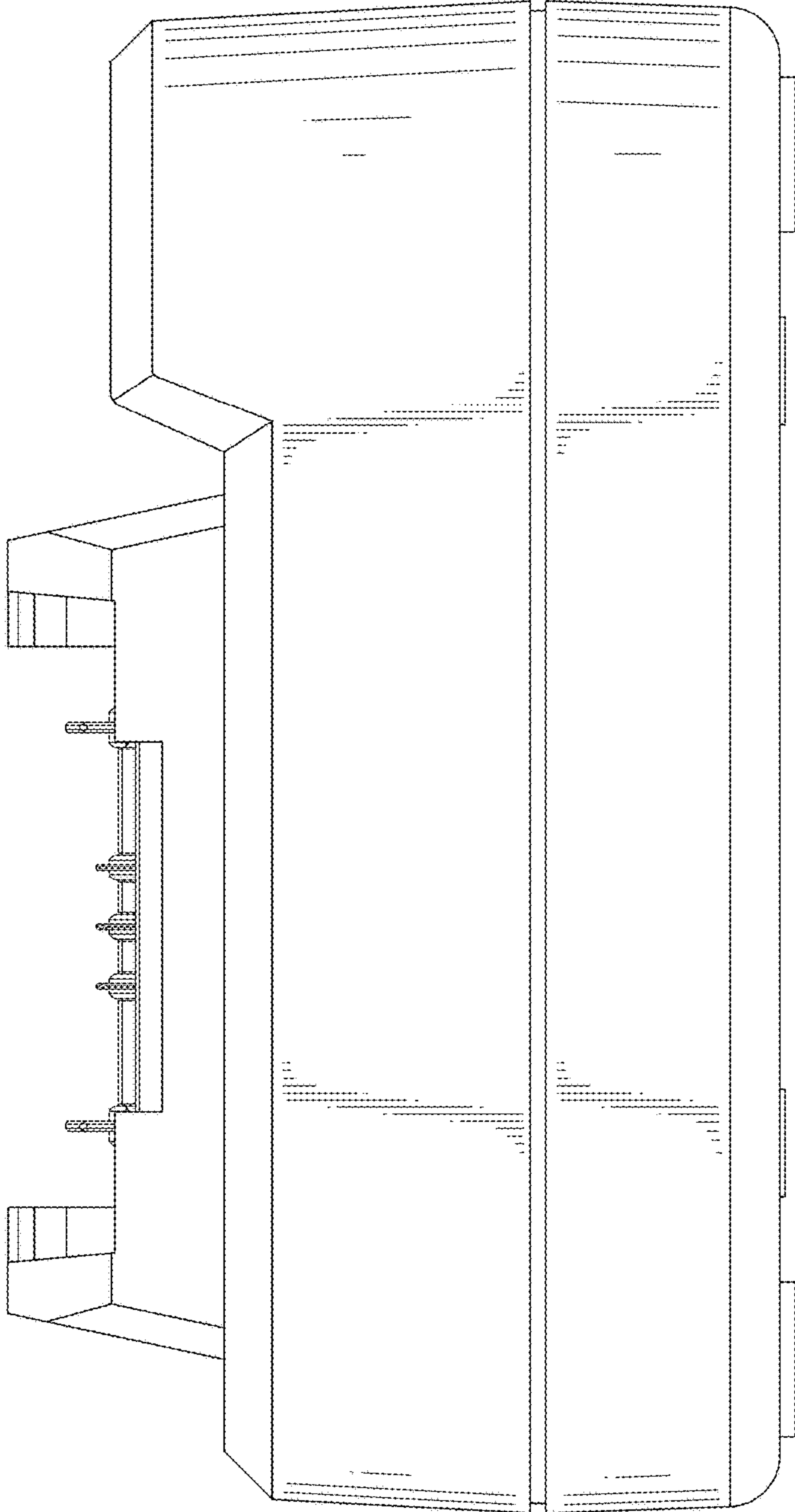


FIG.5

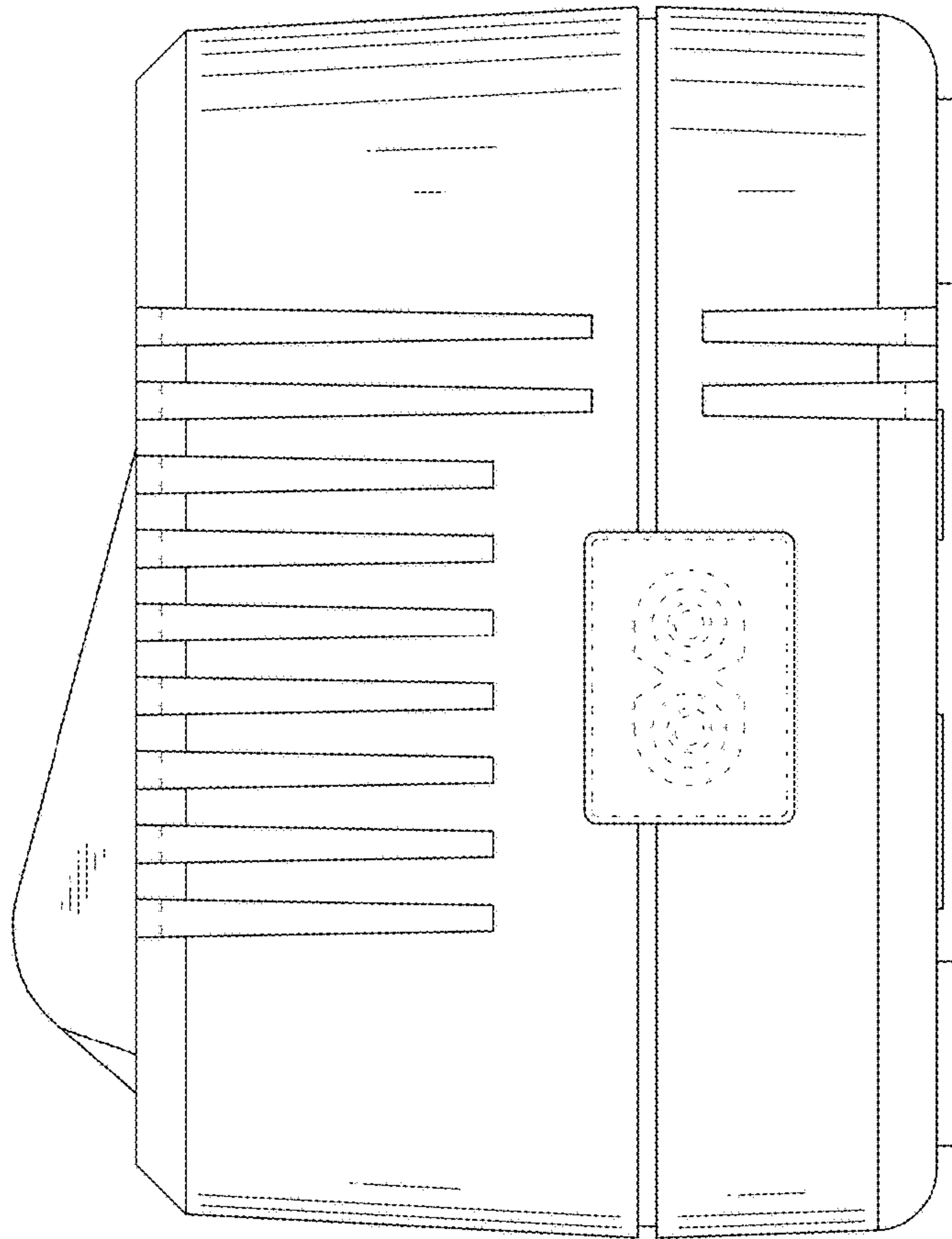


FIG.6

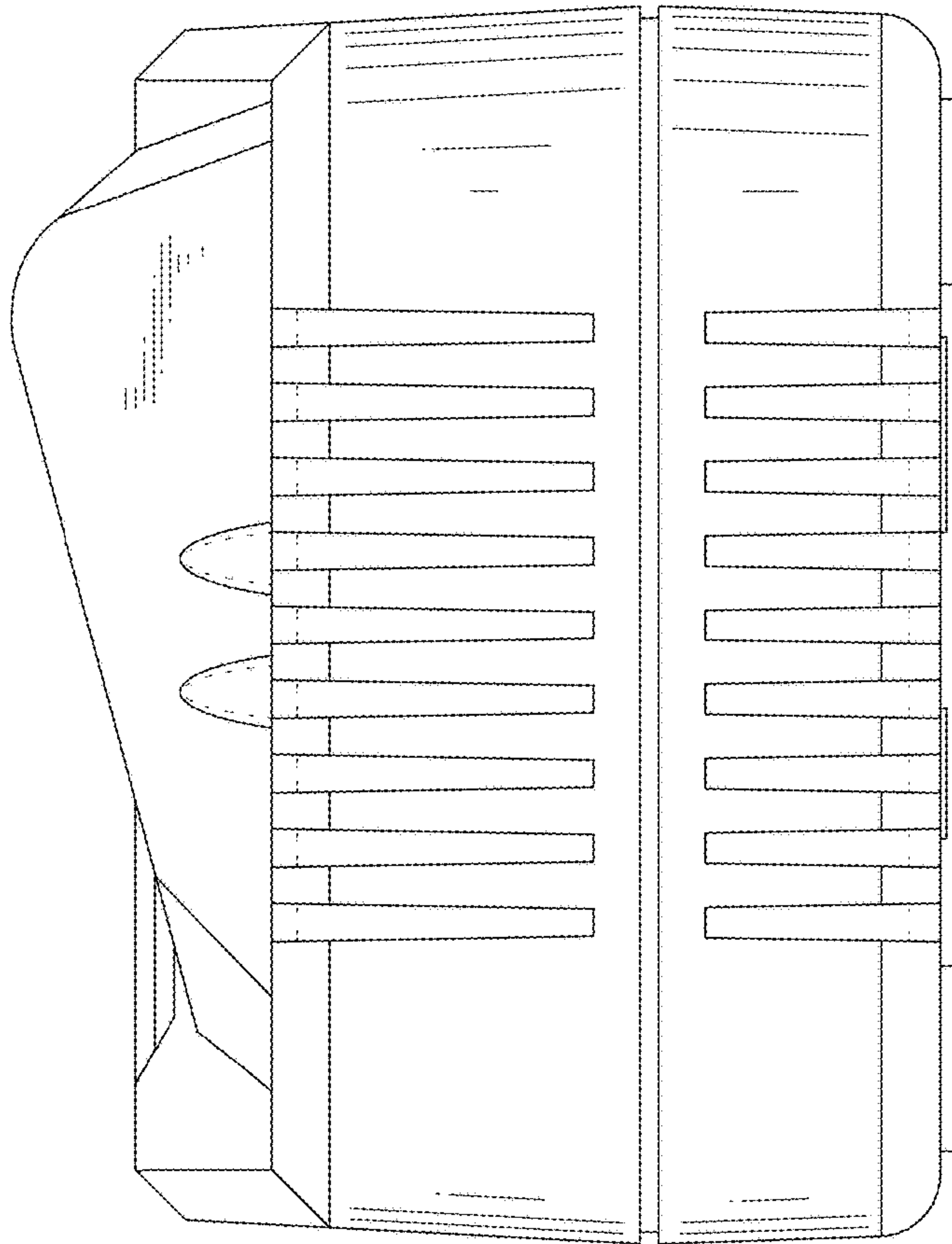


FIG.7

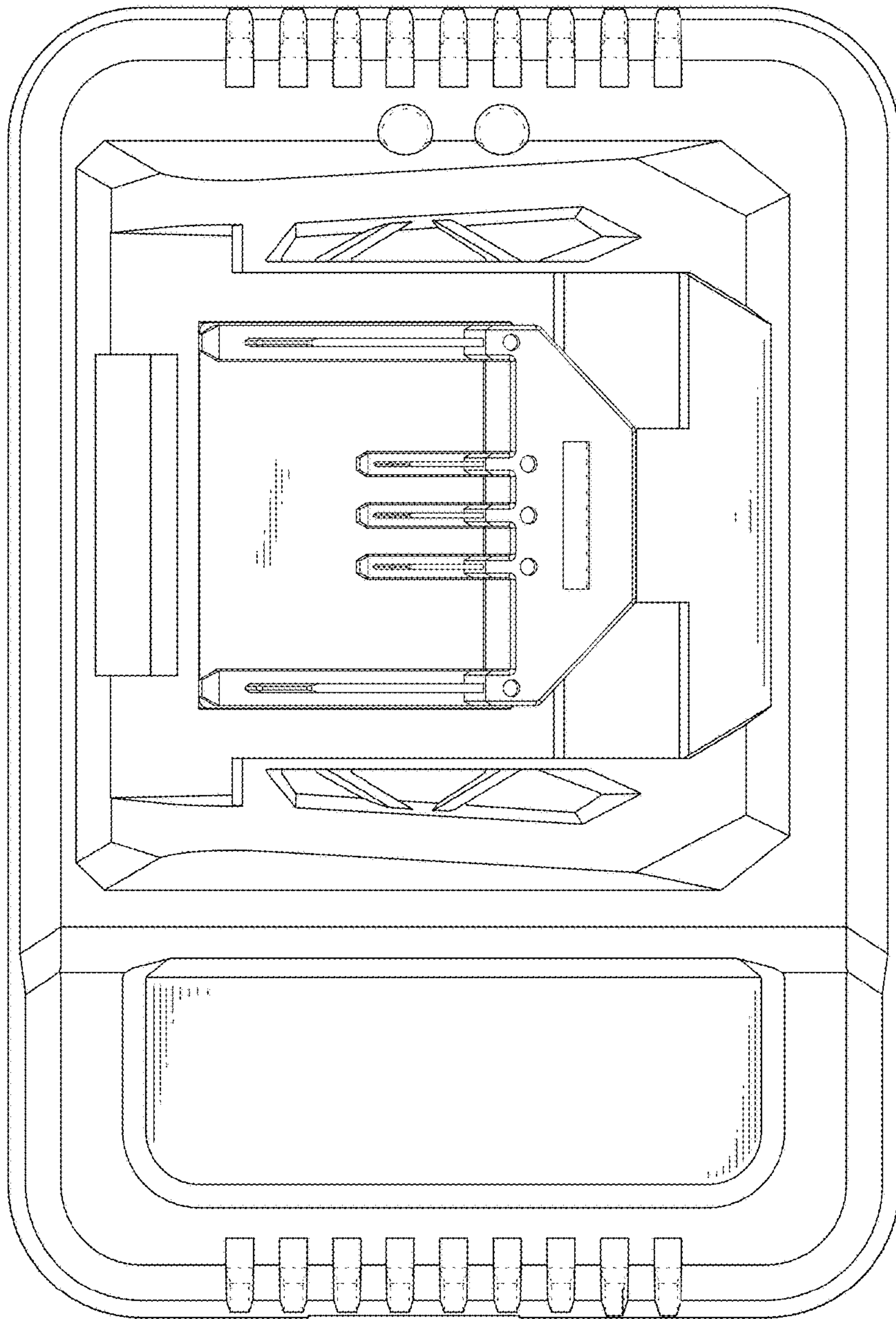


FIG.8

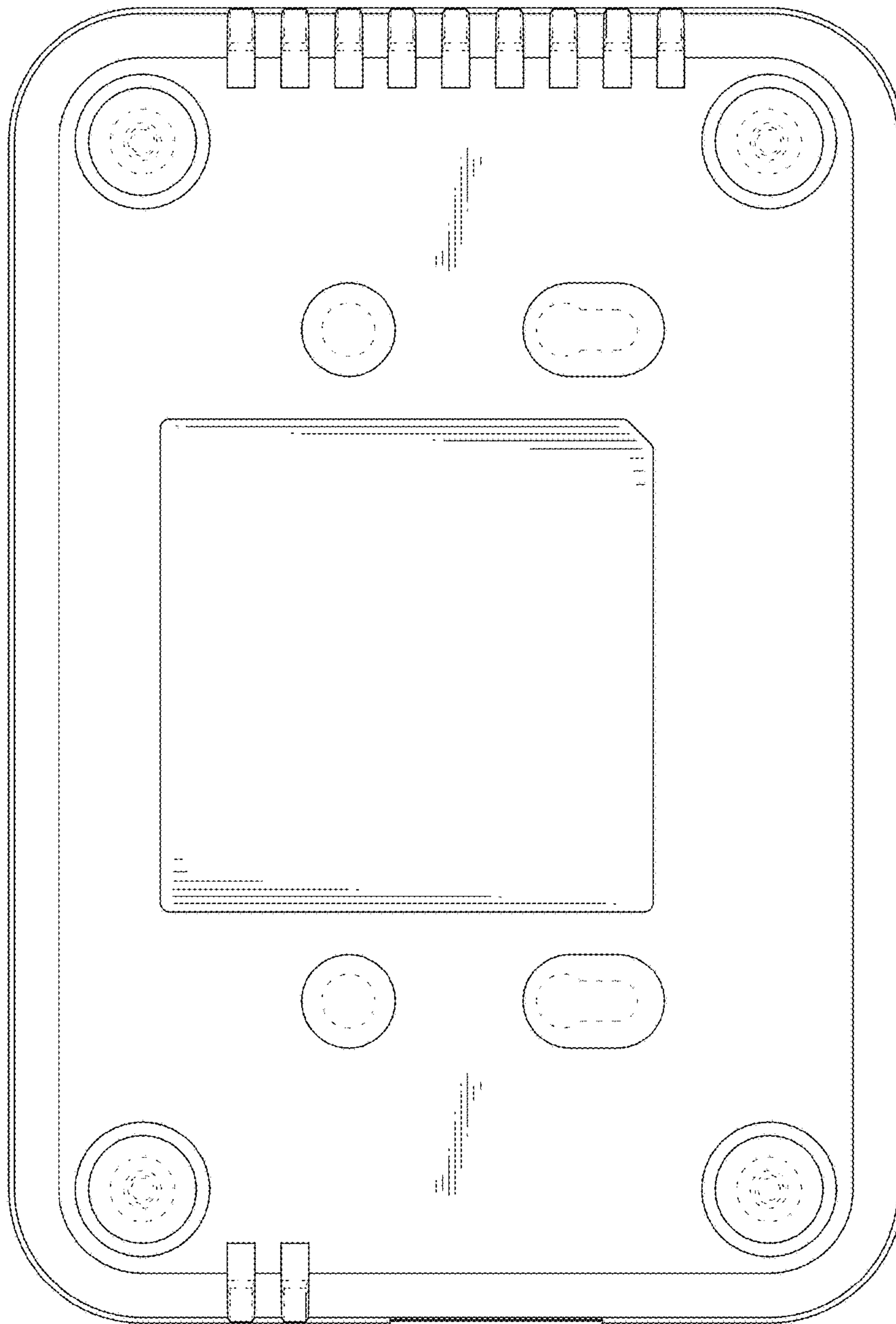


FIG.9