



US00D865660S

(12) **United States Design Patent** (10) **Patent No.:** **US D865,660 S**  
**Jing** (45) **Date of Patent:** **\*\* Nov. 5, 2019**

(54) **SOLAR PUMP** 5,059,296 A \* 10/1991 Sherman ..... C02F 1/4602  
204/229.8  
(71) Applicant: **SHENZHEN QIAORAN** D613,682 S \* 4/2010 Droste ..... D13/102  
**TECHNOLOGY CO., LTD**, Shenzhen, D701,828 S \* 4/2014 Garrett-Schesch ..... D13/102  
Guangdong (CN) D783,522 S \* 4/2017 Cameron ..... D13/102  
D836,751 S \* 12/2018 Li ..... D23/201

(72) Inventor: **Ce Jing**, Guangdong (CN)

(73) Assignee: **SHENZHEN QIAORAN**  
**TECHNOLOGY CO., LTD**, Shenzhen  
(CN)

(\*\*) Term: **15 Years**

(21) Appl. No.: **29/598,633**

(22) Filed: **Mar. 28, 2017**

(30) **Foreign Application Priority Data**

Dec. 30, 2016 (CN) ..... 2016 3 0659384

(51) **LOC (12) Cl.** ..... **13-02**

(52) **U.S. Cl.**  
USPC ..... **D13/102**

(58) **Field of Classification Search**  
USPC ..... D13/102, 118, 184, 199; D23/200, 201,  
D23/206

CPC ..... B05B 17/08; Y02E 10/47; Y02E 10/50;  
Y02E 10/52; F24S 25/10; F24S 25/70;  
A01K 7/00; A01K 7/02

See application file for complete search history.

(56) **References Cited**

**U.S. PATENT DOCUMENTS**

4,744,334 A \* 5/1988 McAnally ..... A01K 7/00  
119/78  
4,786,795 A \* 11/1988 Kurashima ..... G01S 3/7861  
250/203.4

**OTHER PUBLICATIONS**

Amazon.com [https://www.amazon.com/TekHome-Fountain-Powered-Floating-Garden/product-reviews/B074CVJQ3T/ref=cm\\_cr\\_arp\\_d\\_paging\\_btm\\_next\\_2?ie=UTF8&reviewerType=all\\_reviews&pageNumber=2](https://www.amazon.com/TekHome-Fountain-Powered-Floating-Garden/product-reviews/B074CVJQ3T/ref=cm_cr_arp_d_paging_btm_next_2?ie=UTF8&reviewerType=all_reviews&pageNumber=2), Aug. 31, 2017.\*

\* cited by examiner

*Primary Examiner* — Derrick E Holland

(57) **CLAIM**

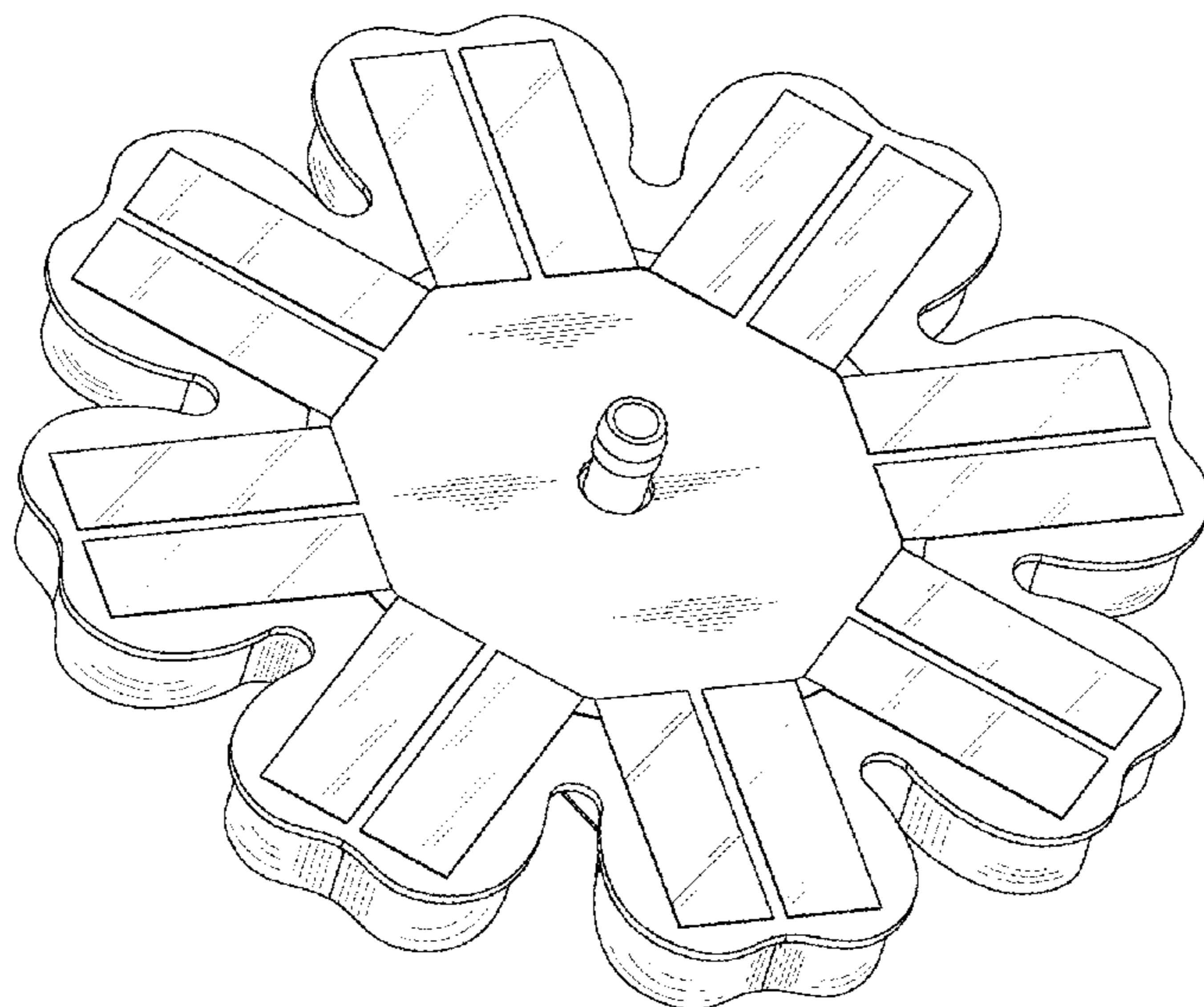
The ornamental design for a solar pump, as shown and described.

**DESCRIPTION**

FIG. 1 is a front elevation view of a solar pump showing my new design;  
FIG. 2 is a rear elevation view thereof;  
FIG. 3 is a left side view thereof;  
FIG. 4 is a right side view thereof;  
FIG. 5 is a top plan view thereof;  
FIG. 6 is a bottom plan view thereof;  
FIG. 7 is a first perspective view thereof; and,  
FIG. 8 is a second perspective view thereof.

The broken lines in the drawings illustrate portions of the solar pump which form no part of the claimed design.

**1 Claim, 7 Drawing Sheets**



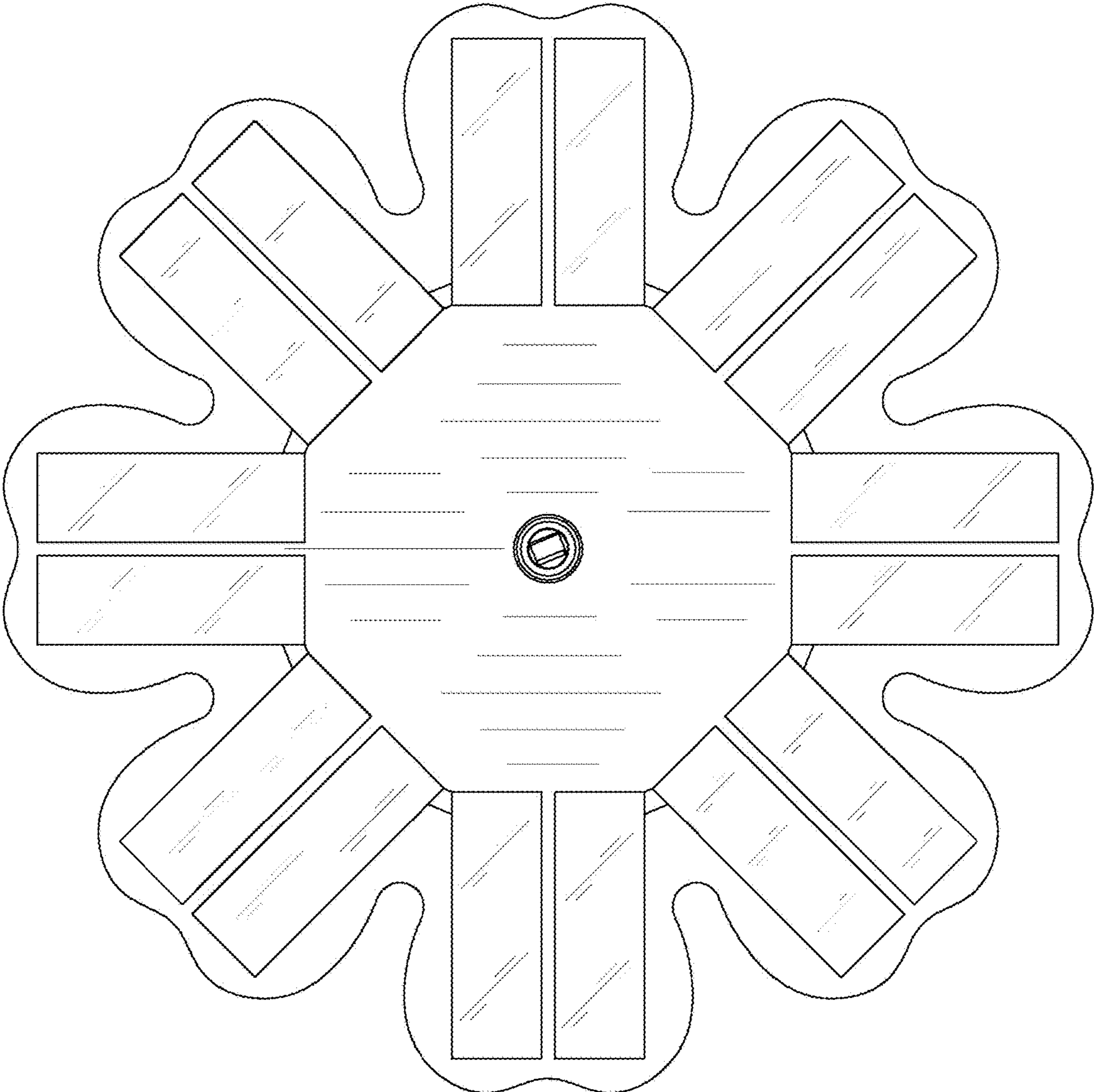


Fig. 1

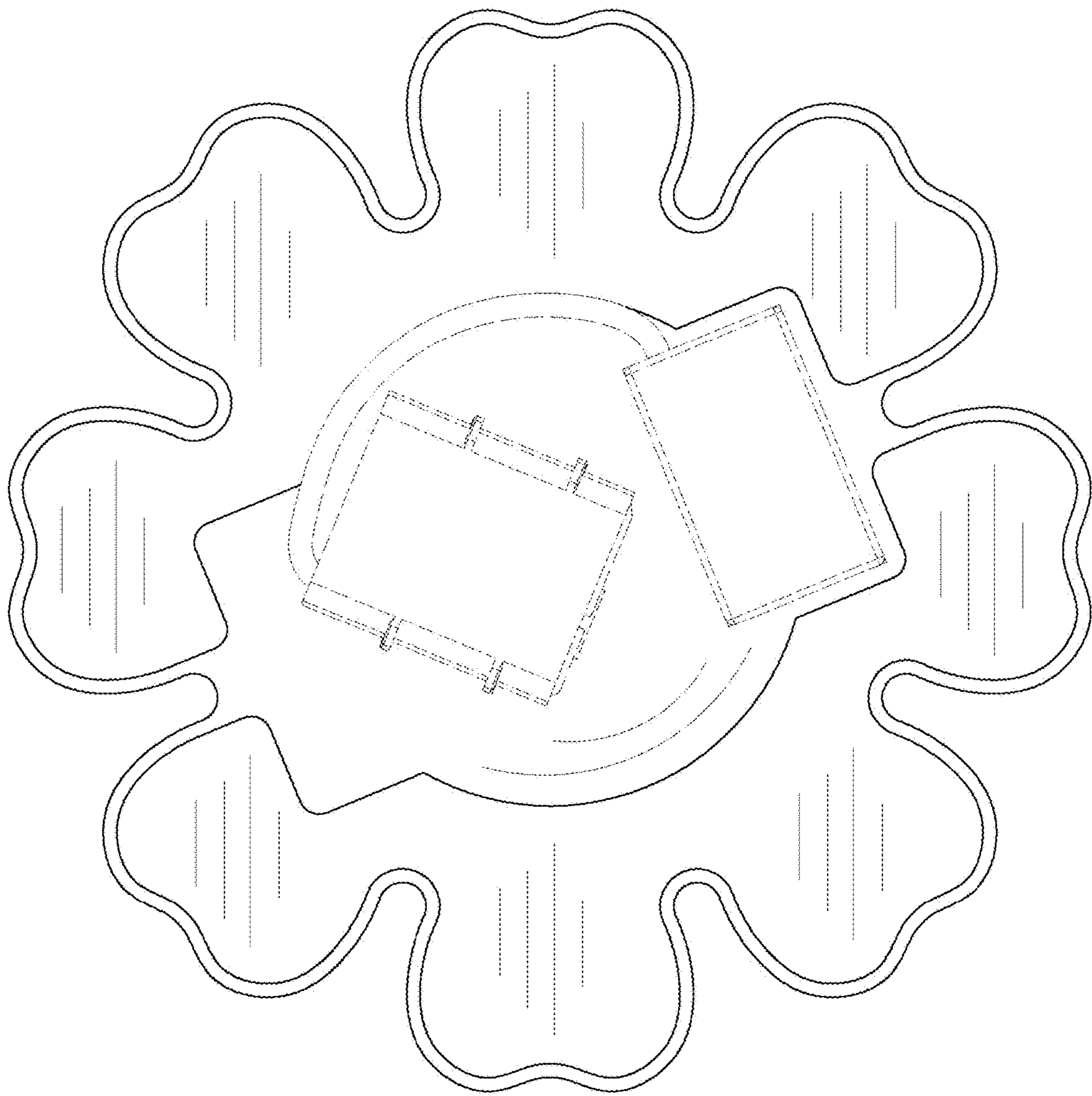


Fig. 2

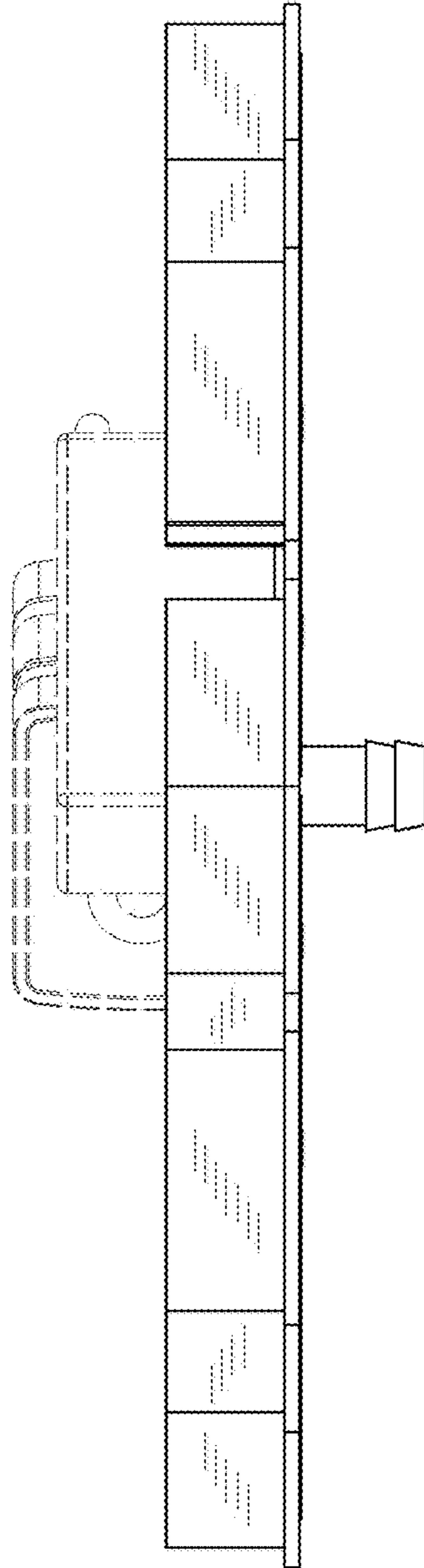


Fig. 3

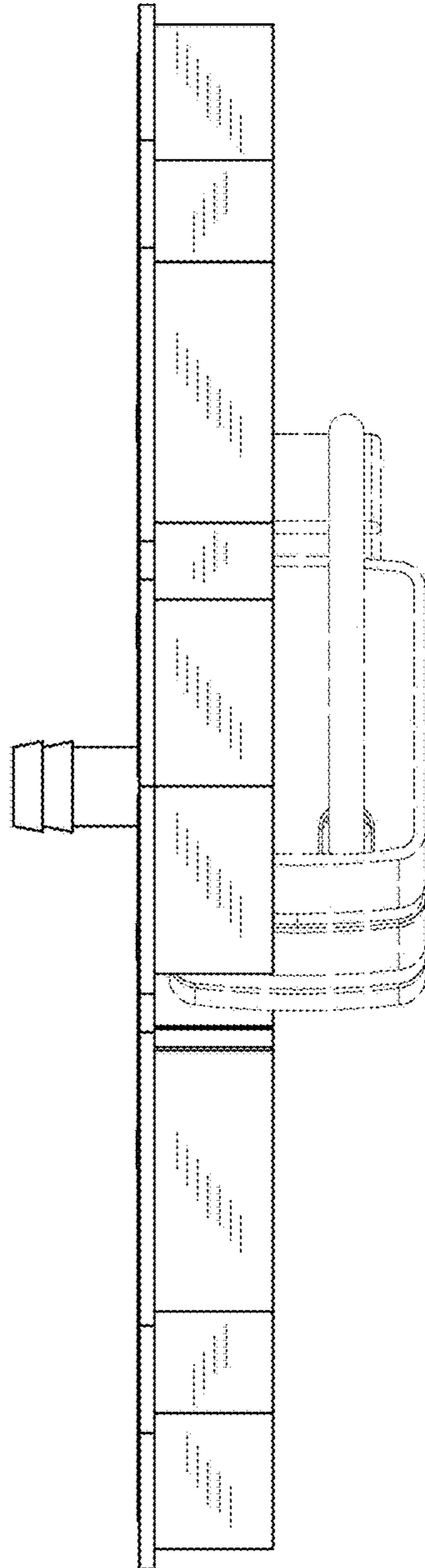


Fig. 4



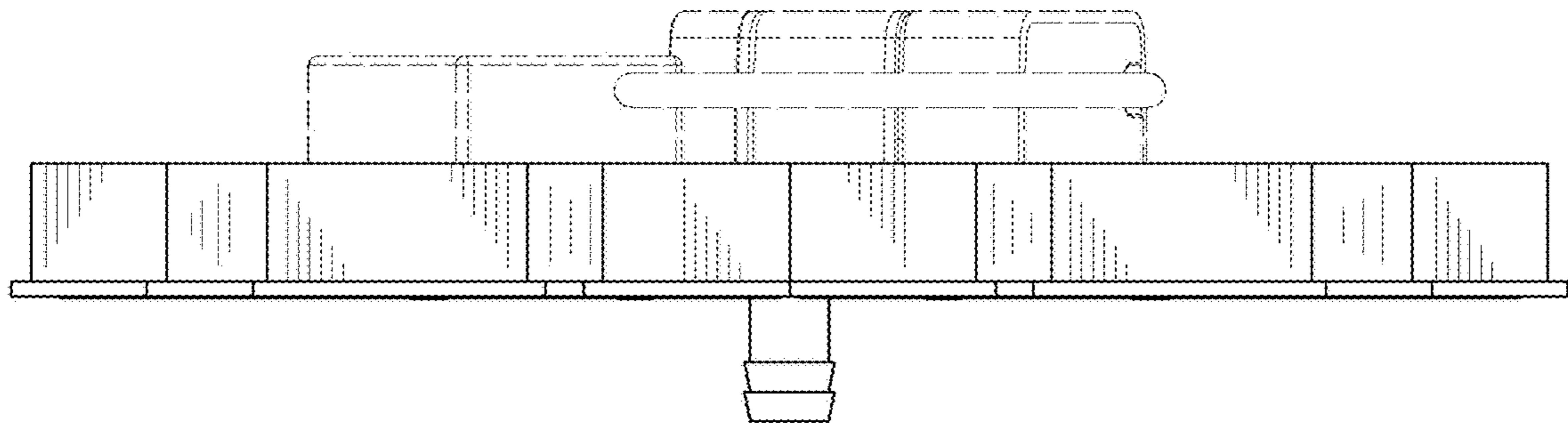


Fig. 5

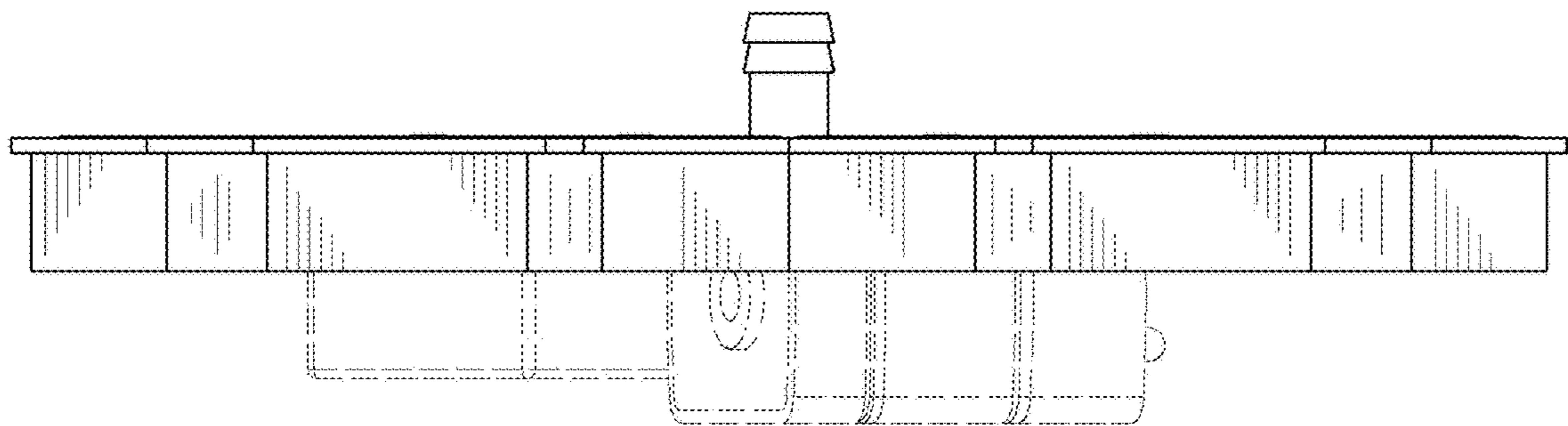


Fig. 6

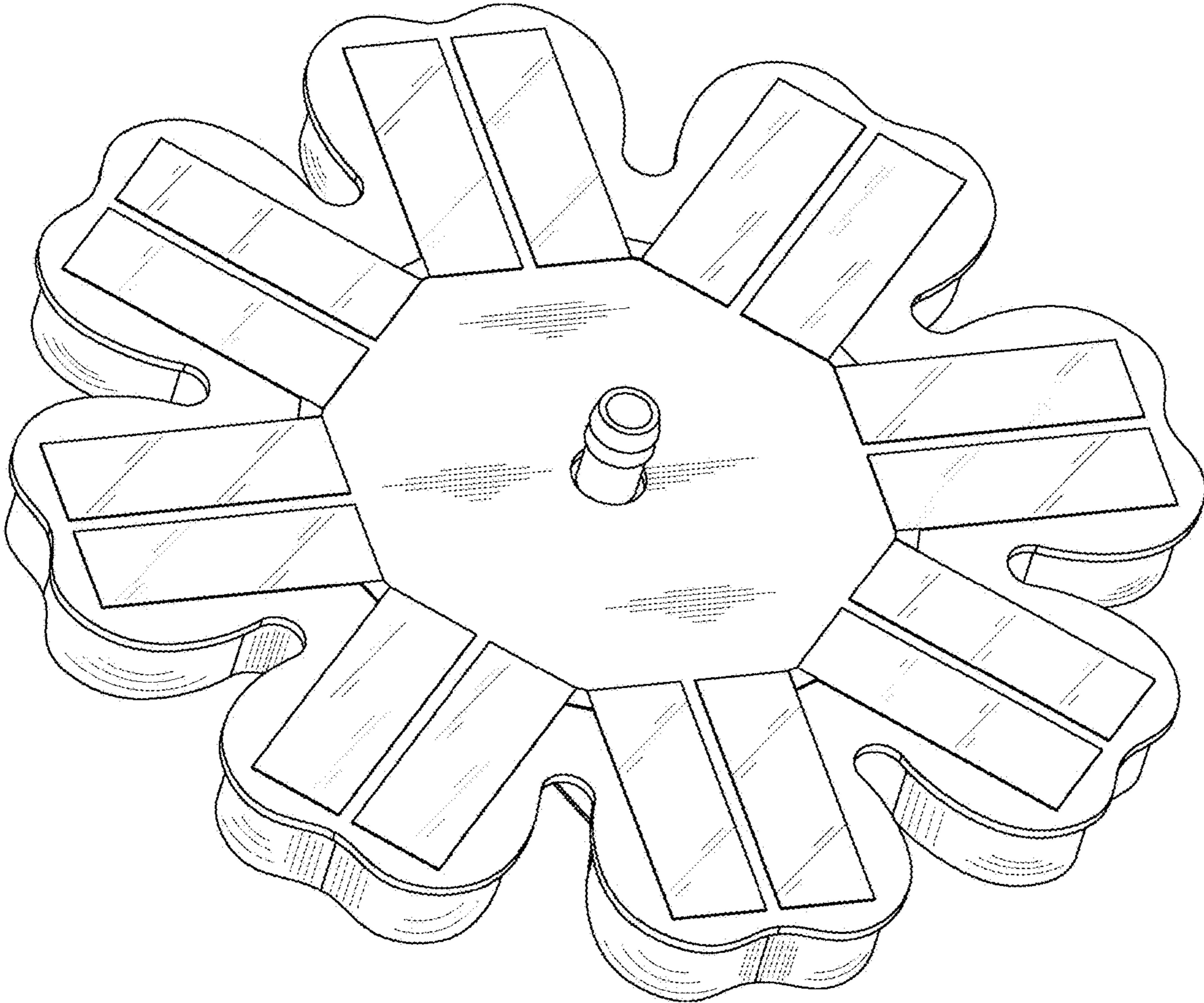


Fig. 7

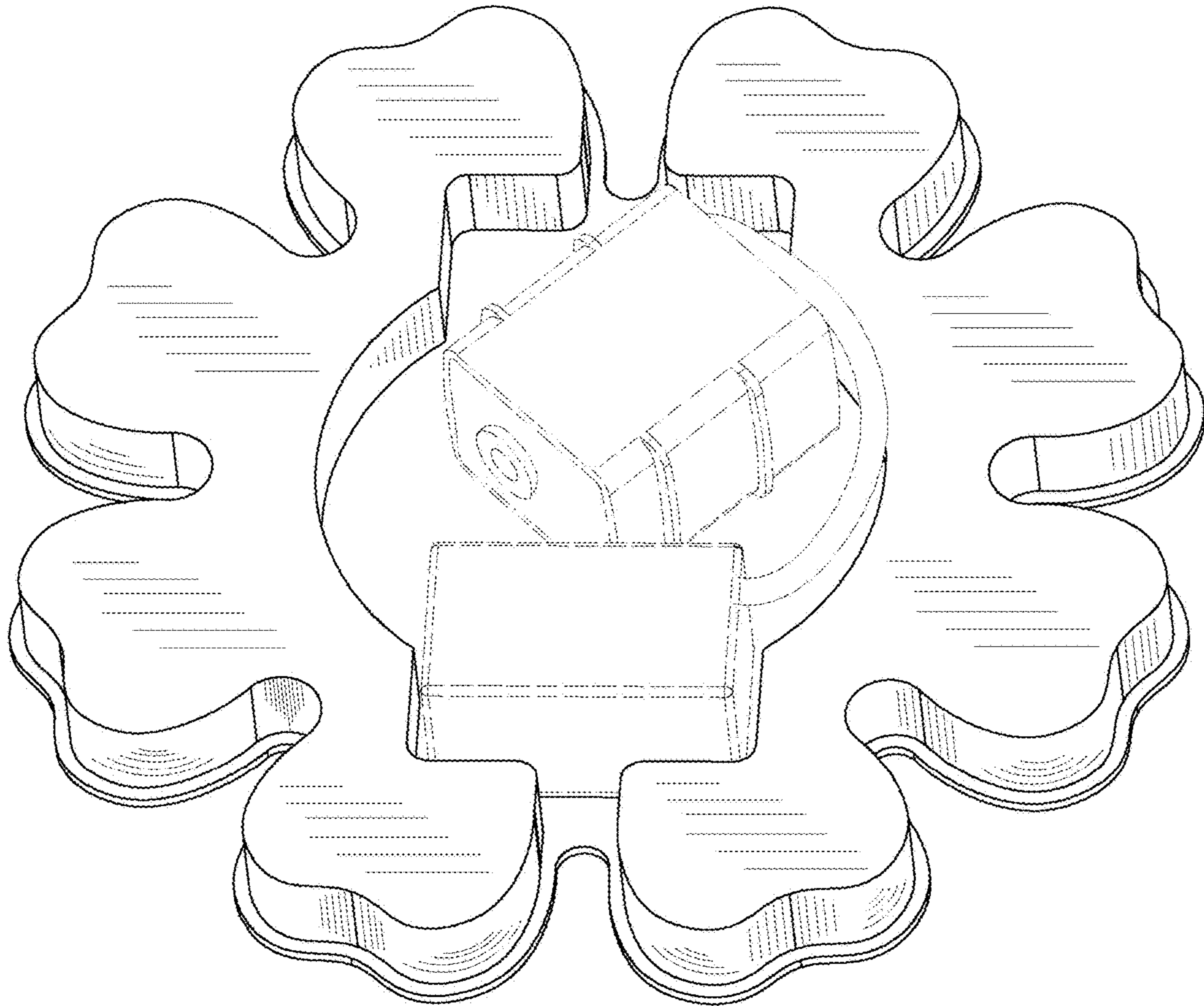


Fig. 8