



US00D865657S

(12) **United States Design Patent**  
**Miyazaki et al.**

(10) **Patent No.:** **US D865,657 S**

(45) **Date of Patent:** **\*\* Nov. 5, 2019**

(54) **TIRE**

(71) Applicant: **TOYO TIRE & RUBBER CO., LTD.**,  
Itami-shi, Hyogo (JP)

(72) Inventors: **Tetsuji Miyazaki**, Itami (JP); **Yoshiki Sato**, Itami (JP)

(73) Assignee: **Toyo Tire & Rubber Co., Ltd.**,  
Itami-shi (JP)

(\*\*) Term: **15 Years**

(21) Appl. No.: **29/664,074**

(22) Filed: **Sep. 21, 2018**

(30) **Foreign Application Priority Data**

Mar. 26, 2018 (JP) ..... 2018-006306

(51) **LOC (12) Cl.** ..... **12-15**

(52) **U.S. Cl.**  
USPC ..... **D12/605**

(58) **Field of Classification Search**  
USPC ..... D12/604, 605  
CPC ..... B60C 13/00; B60C 1/00  
See application file for complete search history.

(56) **References Cited**

U.S. PATENT DOCUMENTS

D540,740 S *	4/2007	Maxwell	.....	D12/605
D569,792 S *	5/2008	Holden	.....	D12/605
D574,320 S *	8/2008	Dixon	.....	D12/605
D588,529 S *	3/2009	Reese	.....	D12/605
D602,427 S *	10/2009	Takahashi	.....	D12/605
D605,583 S *	12/2009	Scheifele	.....	D12/605
D610,980 S *	3/2010	Shondel	.....	D12/605
D610,981 S *	3/2010	Shondel	.....	D12/605
D628,959 S *	12/2010	Harvey	.....	D12/605
D638,783 S *	5/2011	Endou	.....	D12/605
D650,323 S *	12/2011	Morito	.....	D12/605
D656,089 S *	3/2012	Miyazaki	.....	D12/605

D656,090 S *	3/2012	Sato	.....	D12/605
D667,369 S *	9/2012	Fontaine	.....	D12/605
D681,546 S *	5/2013	Sato	.....	D12/605
D701,826 S *	4/2014	Morito	.....	D12/605
D730,819 S *	6/2015	Scheifele	.....	D12/605

(Continued)

FOREIGN PATENT DOCUMENTS

JP	1391636 S	7/2010
JP	1442260 S	6/2012
JP	1444646 S	6/2012

*Primary Examiner* — Michelle E. Wilson

*Assistant Examiner* — Clese Moore, Jr.

(74) *Attorney, Agent, or Firm* — Sterne, Kessler,  
Goldstein & Fox P.L.L.C.

(57) **CLAIM**

The ornamental design for a tire, as shown and described.

**DESCRIPTION**

FIG. 1 is a front perspective view of a tire showing the claimed design;

FIG. 2 is a front view thereof;

FIG. 3 is a rear view thereof;

FIG. 4 is a left side view thereof, the right side view being a mirror image thereof;

FIG. 5 is a top plan view thereof, the bottom plan view being a mirror image thereof;

FIG. 6 is an enlarged view of the portion between 6-6 and 6'-6' in FIG. 2;

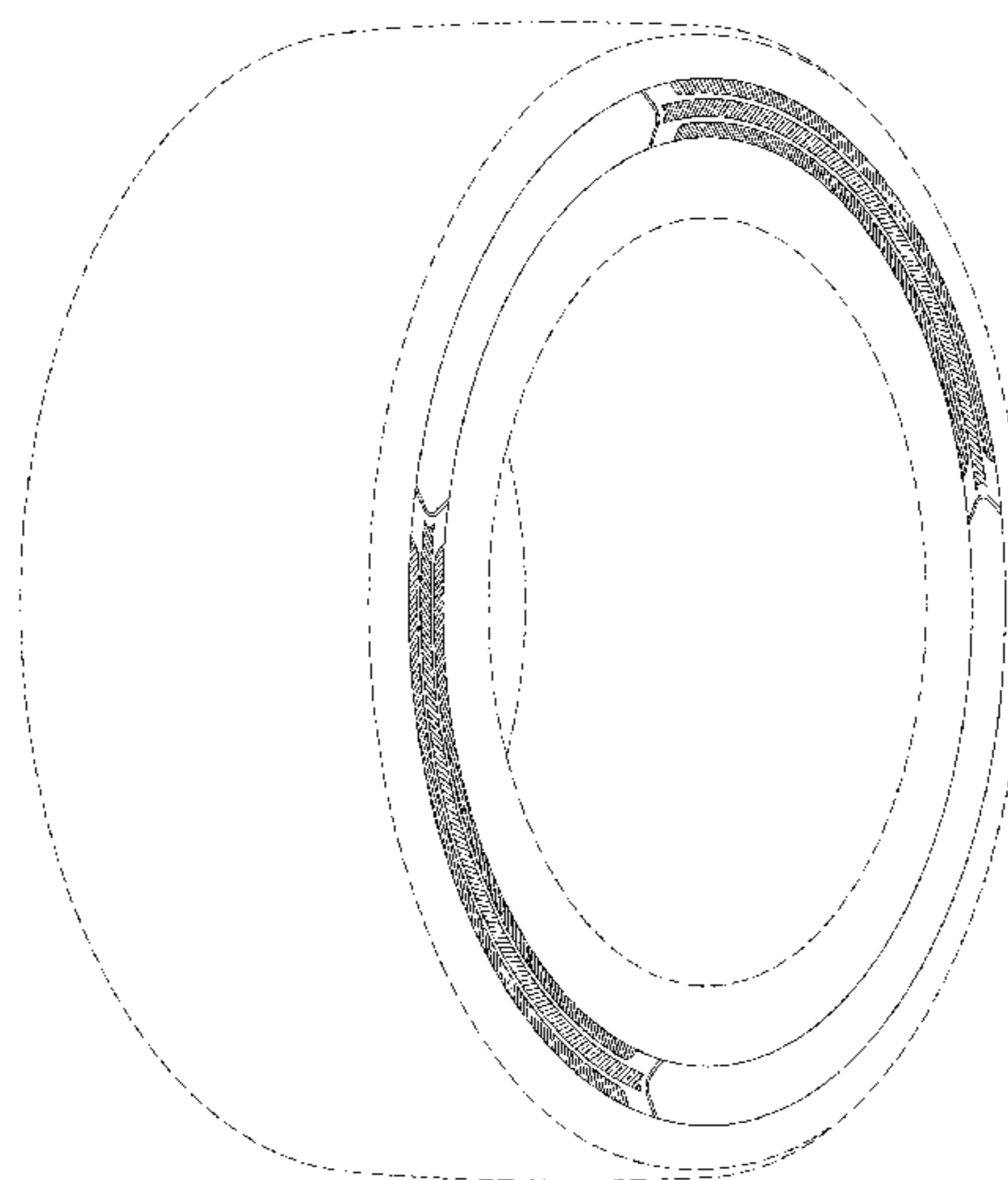
FIG. 7 is an enlarged cross-sectional view taken along line 7-7 in FIG. 6;

FIG. 8 is another enlarged view of the portion between 6-6 and 6'-6' in FIG. 2; and,

FIG. 9 is an enlarged cross-sectional view taken along line 9-9 in FIG. 8.

In the drawings, the broken lines show portions of the tire that form no part of the claimed design.

**1 Claim, 9 Drawing Sheets**



(56)

**References Cited**

U.S. PATENT DOCUMENTS

D739,344	S	*	9/2015	Kuwano	.....	D12/605
D754,063	S	*	4/2016	Iwabuchi	.....	D12/605
D768,067	S	*	10/2016	Kuwano	.....	D12/605
D769,806	S	*	10/2016	Yasunaga	.....	D12/605
D777,656	S	*	1/2017	Maxwell	.....	D12/605
D791,694	S	*	7/2017	Sato	.....	D12/605
D800,646	S	*	10/2017	Sato	.....	D12/605
D806,642	S	*	1/2018	Kuwano	.....	D12/605
D813,150	S	*	3/2018	Schoepner	.....	D12/605

\* cited by examiner

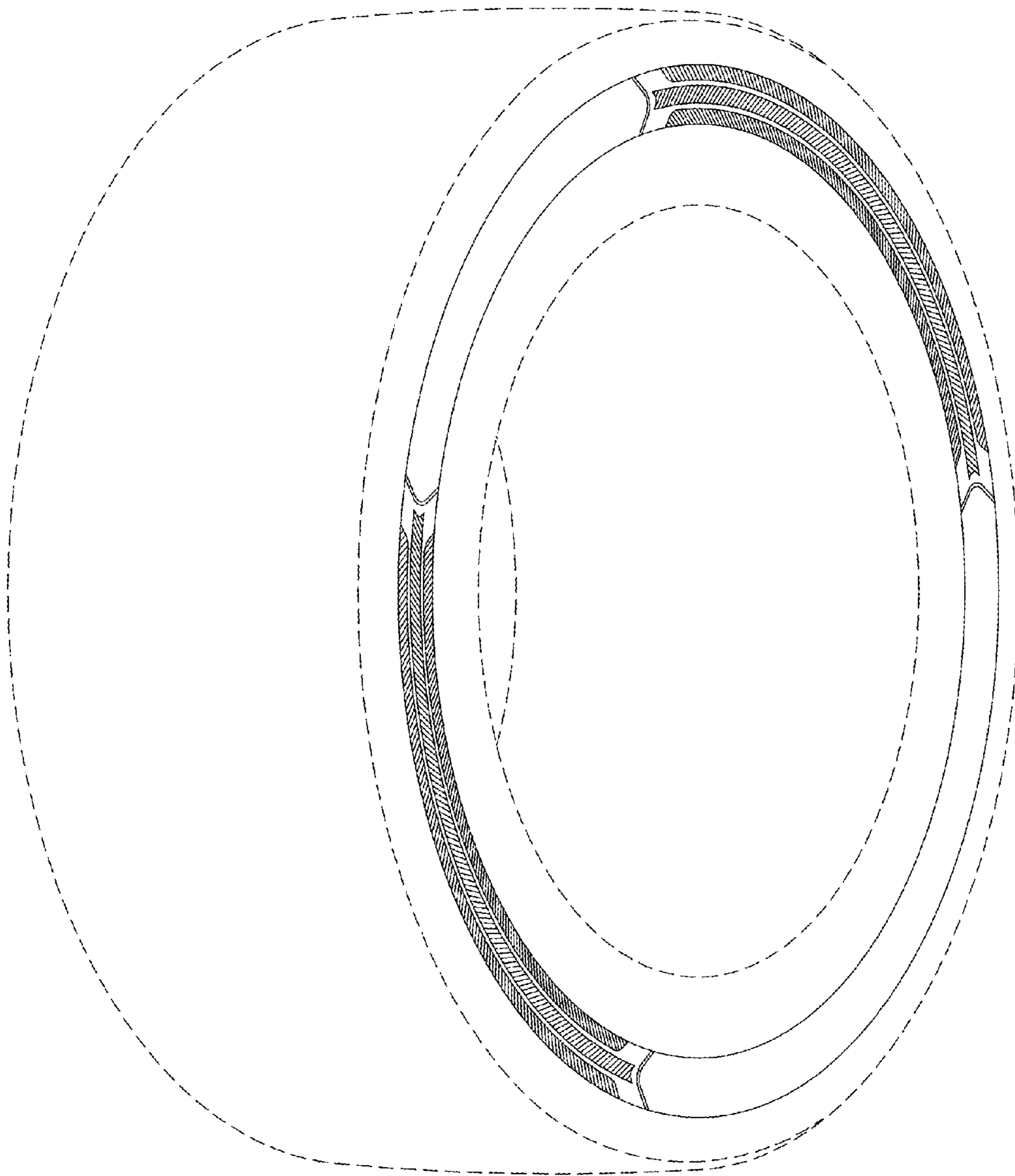


FIG. 1

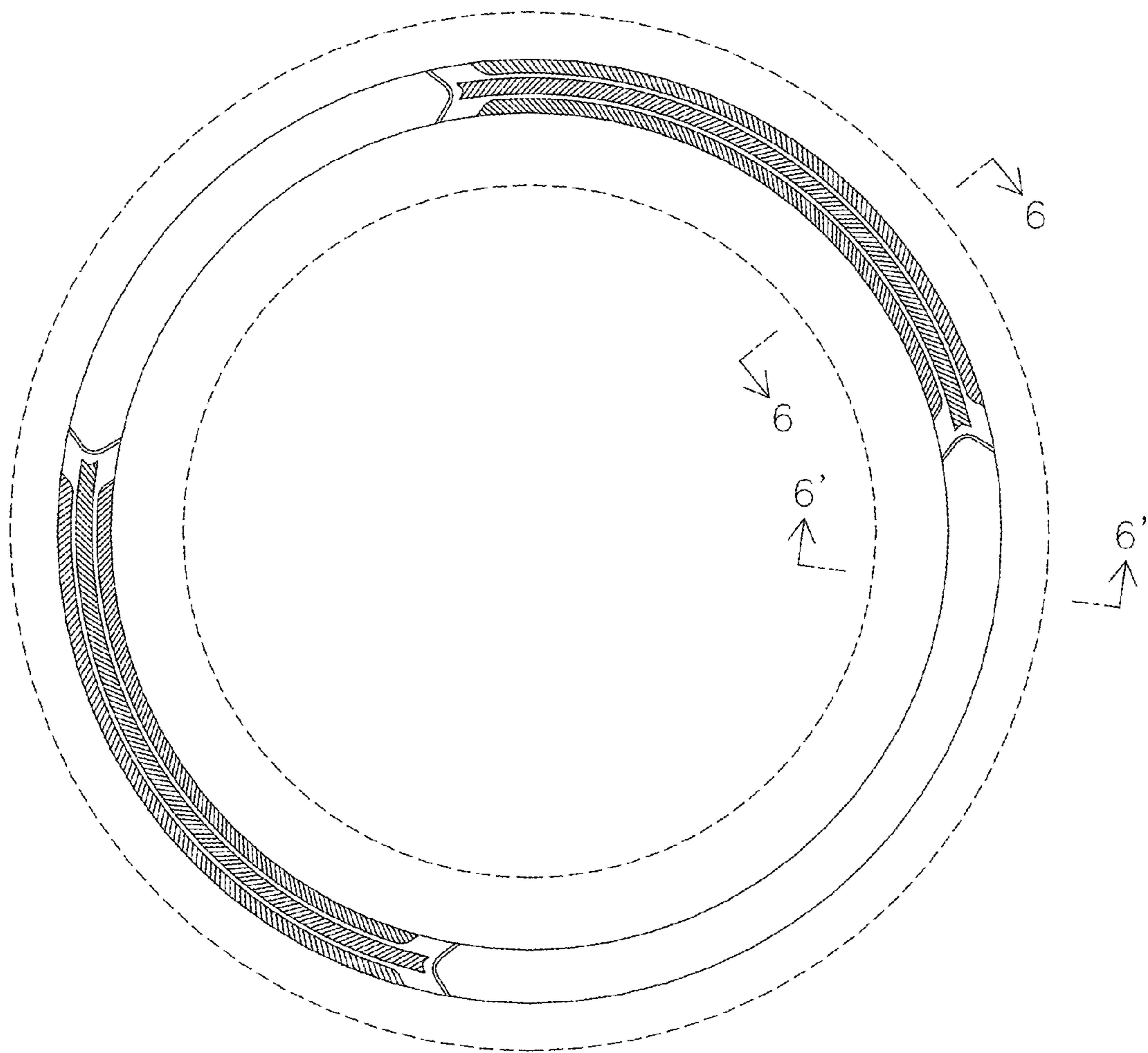


FIG. 2

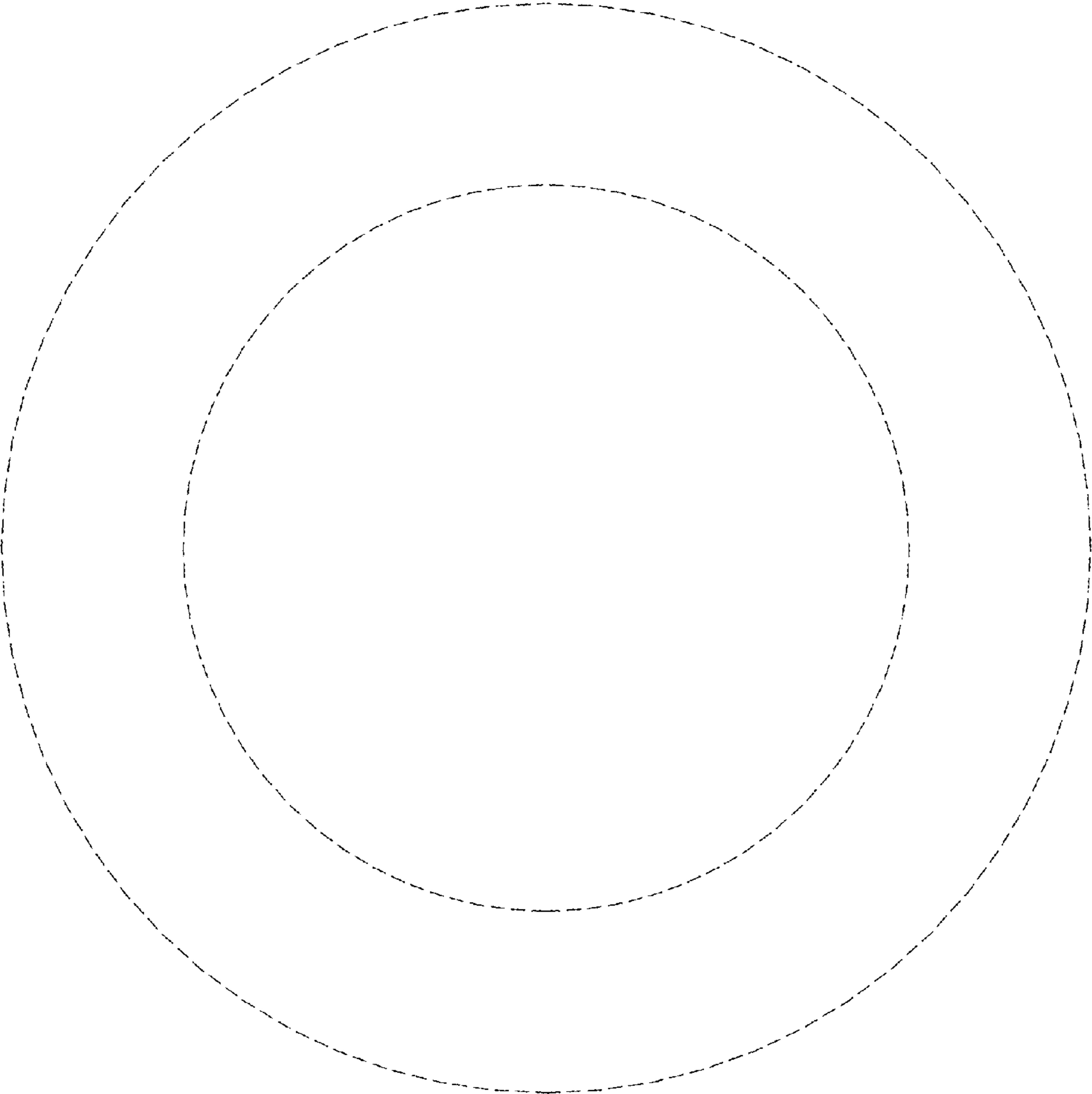


FIG. 3

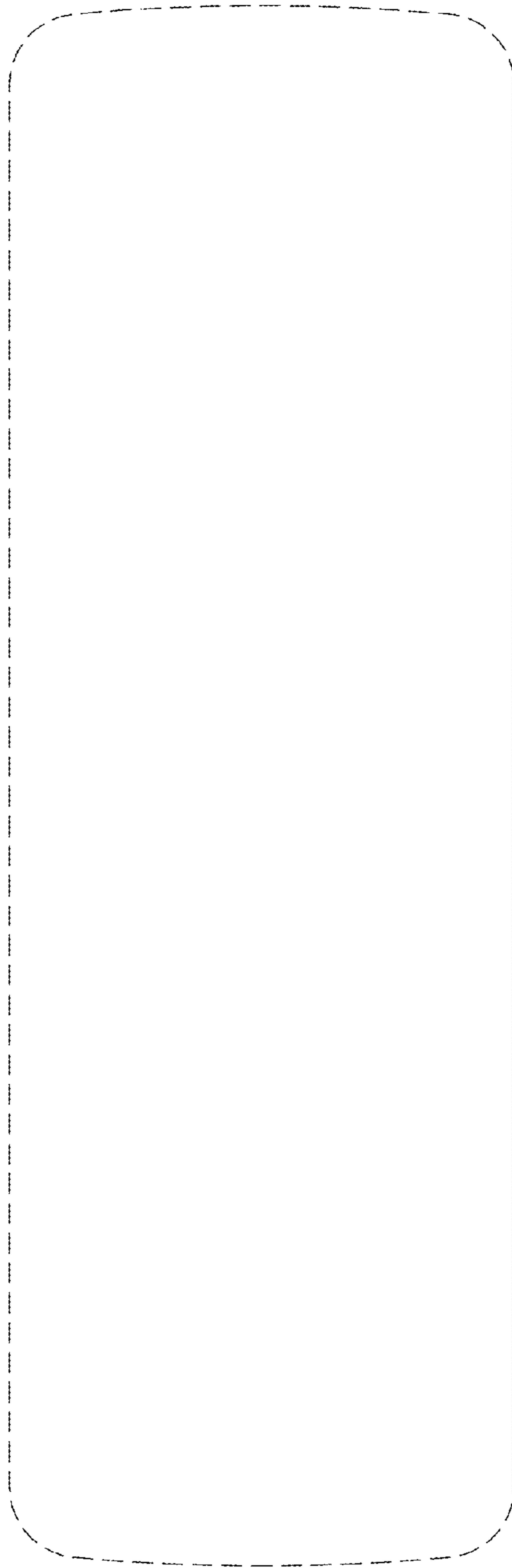


FIG. 4

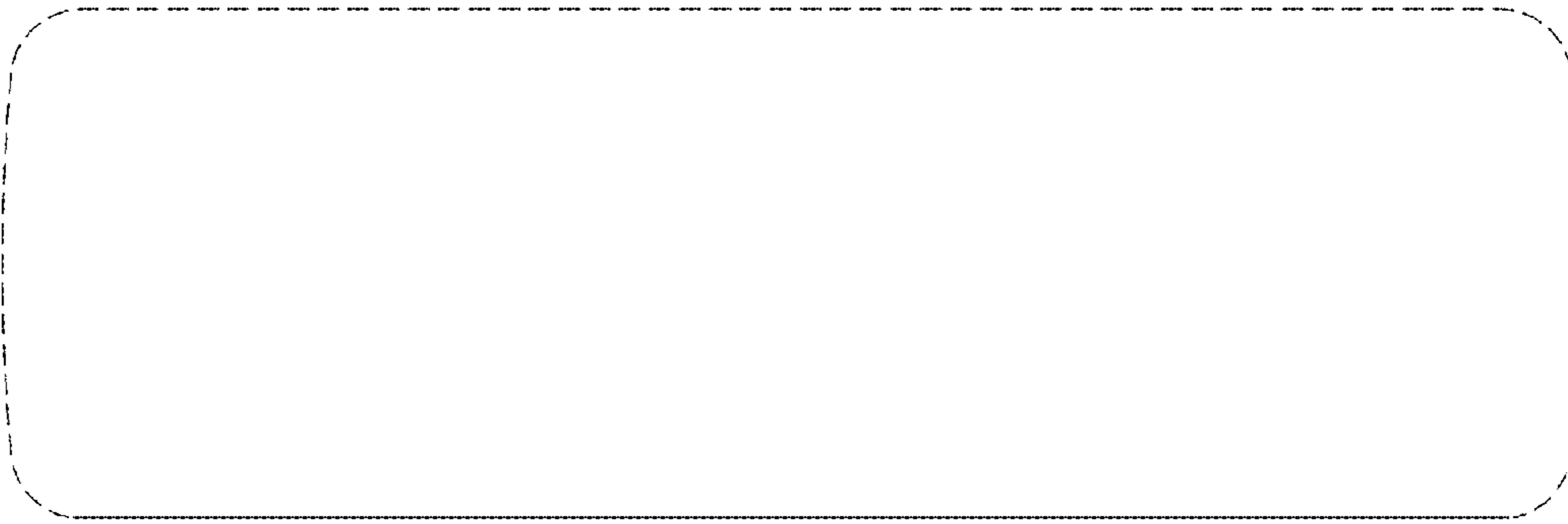


FIG. 5

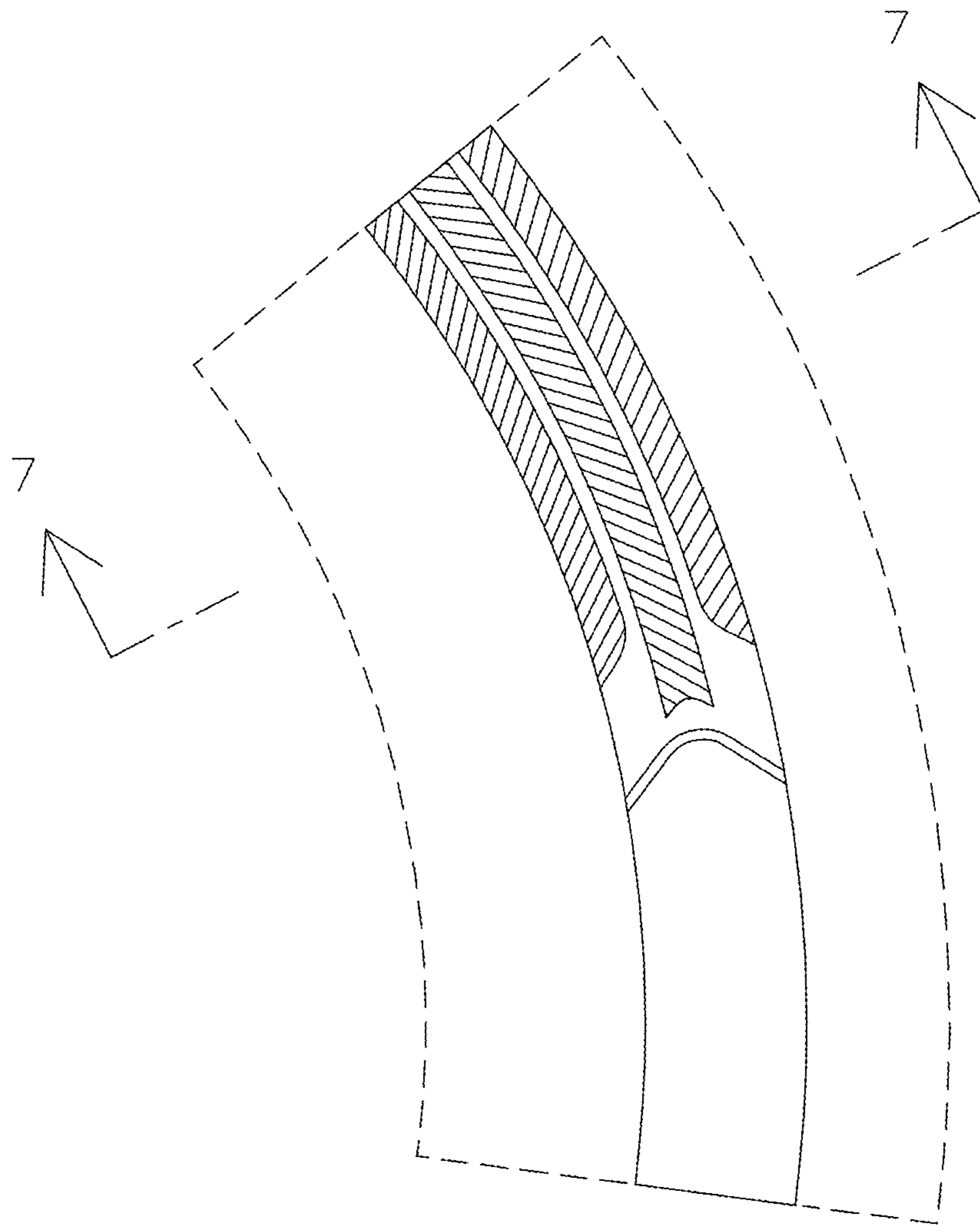


FIG. 6



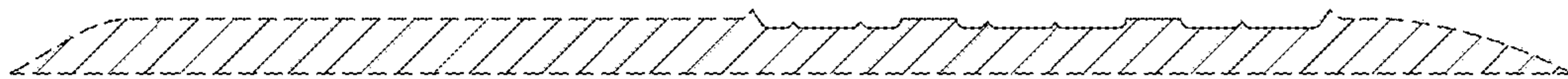


FIG. 7

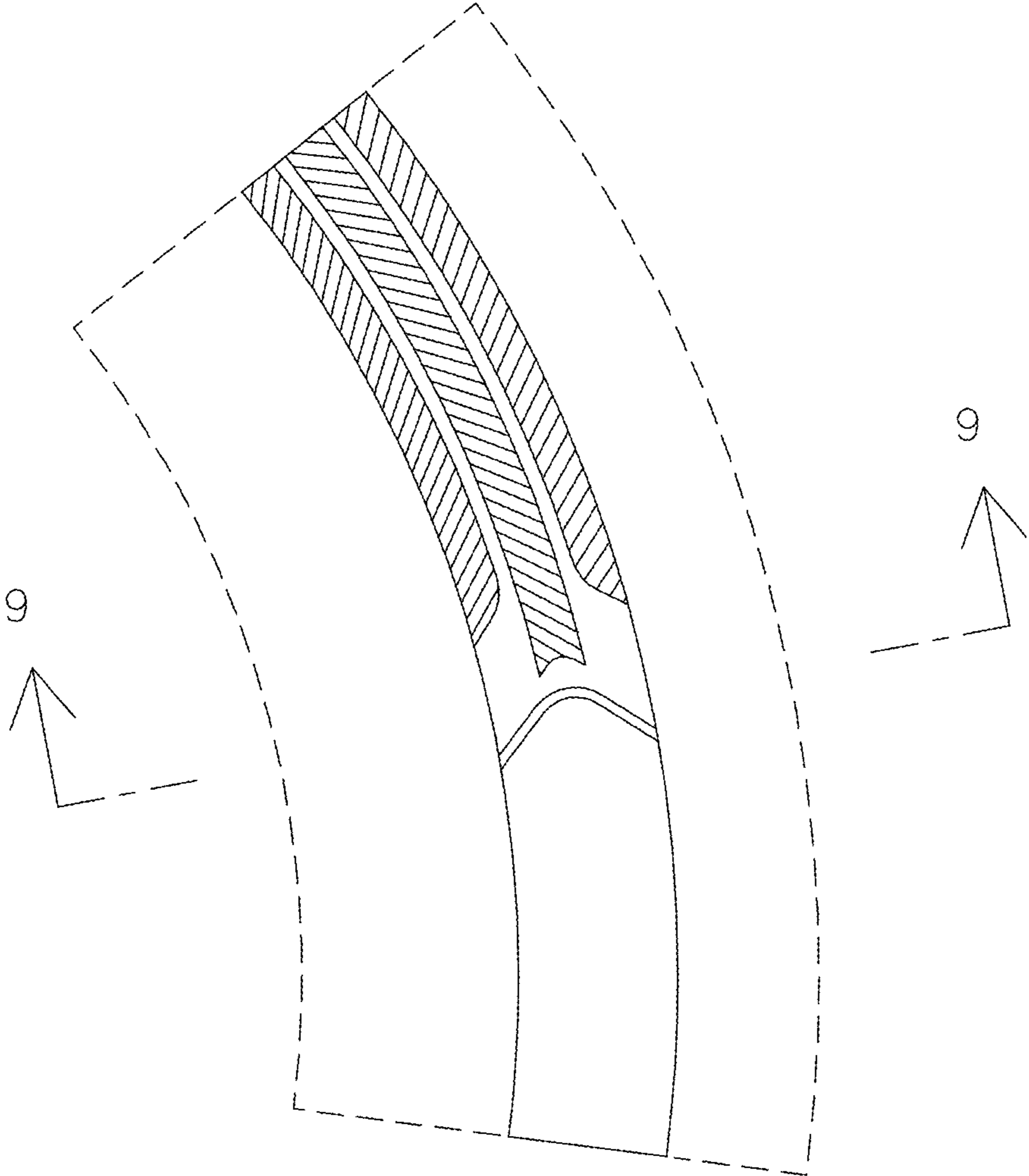


FIG. 8

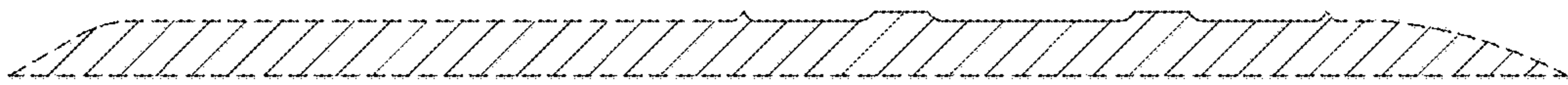


FIG. 9