

US00D865656S

(12) **United States Design Patent**
Hamanaka

(10) **Patent No.:** **US D865,656 S**

(45) **Date of Patent:** **** Nov. 5, 2019**

(54) **AUTOMOBILE TIRE**

(71) Applicant: **THE YOKOHAMA RUBBER CO., LTD.**, Minato-ku, Tokyo (JP)

(72) Inventor: **Hideki Hamanaka**, Hiratsuka (JP)

(73) Assignee: **THE YOKOHAMA RUBBER CO., LTD.**, Minato-ku, Tokyo (JP)

(**) Term: **15 Years**

(21) Appl. No.: **29/622,552**

(22) Filed: **Oct. 18, 2017**

(30) **Foreign Application Priority Data**

Apr. 19, 2017 (JP) 2017-008448

(51) **LOC (12) Cl.** **12-16**

(52) **U.S. Cl.**
USPC **D12/590**

(58) **Field of Classification Search**
USPC D12/590-591
See application file for complete search history.

(56) **References Cited**

U.S. PATENT DOCUMENTS

- D500,010 S * 12/2004 Maziarka D12/590
- D606,011 S * 12/2009 Ohara D12/590
- D619,529 S * 7/2010 Georges D12/590
- D652,370 S * 1/2012 Buchinger-Barnstorf ... D12/588

- D780,101 S * 2/2017 Brown D12/590
- D815,022 S * 4/2018 Oji D12/590
- D835,029 S * 12/2018 Son D12/591

* cited by examiner

Primary Examiner — George D. Kirschbaum

(74) *Attorney, Agent, or Firm* — Banner & Witcoff, Ltd.

(57) **CLAIM**

The ornamental design for an automobile tire, as shown and described.

DESCRIPTION

FIG. 1 is a perspective view of an automobile tire showing my new design;

FIG. 2 is a front view thereof;

FIG. 3 is a rear view thereof;

FIG. 4 is a right side view thereof;

FIG. 5 is a left side view thereof;

FIG. 6 is a top view thereof;

FIG. 7 is a bottom view thereof;

FIG. 8 is a partially enlarged view of a portion defined by lines 8-8 shown in FIG. 1;

FIG. 9 is a partially enlarged view of a portion defined by lines 9-9 shown in FIG. 2; and,

FIG. 10 is a cross sectional view of a portion defined by lines 10-10 shown in FIG. 9.

In the drawings, the broken lines depict environmental subject matter only and form no part of the claimed design. The dot and dashed lines represents a boundary between the claimed portion and the non-claimed portion.

1 Claim, 10 Drawing Sheets

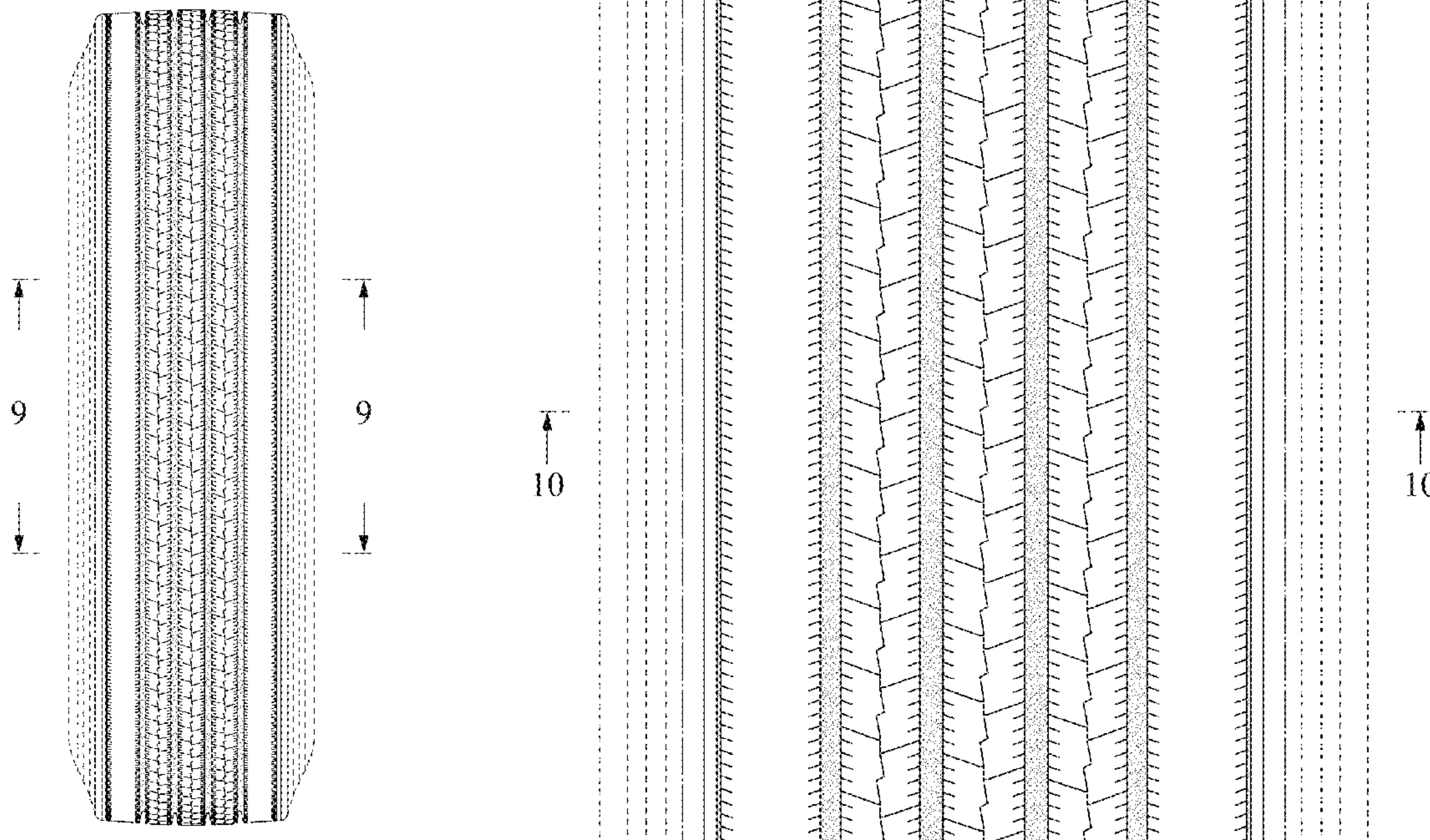


FIG. 1

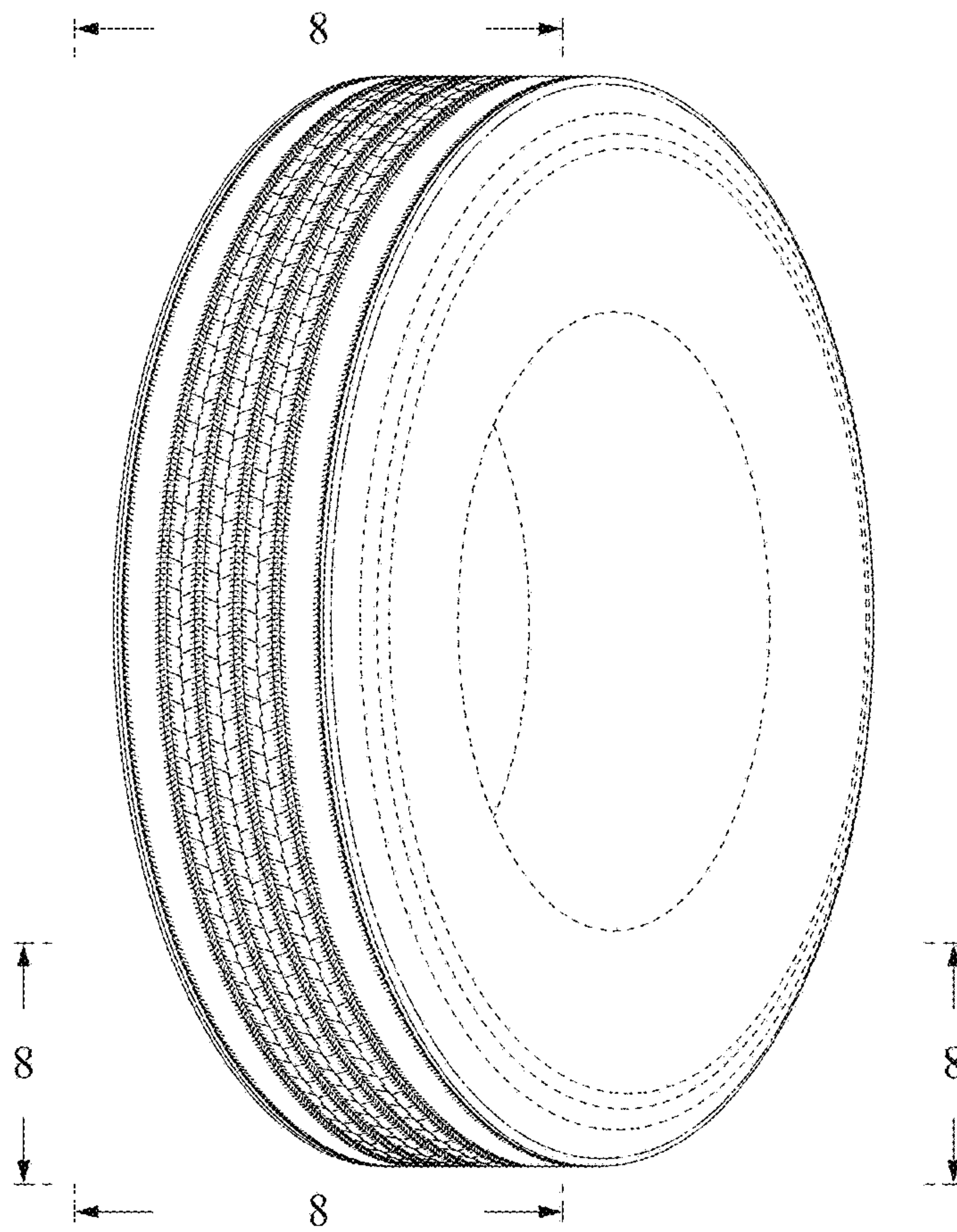


FIG. 2

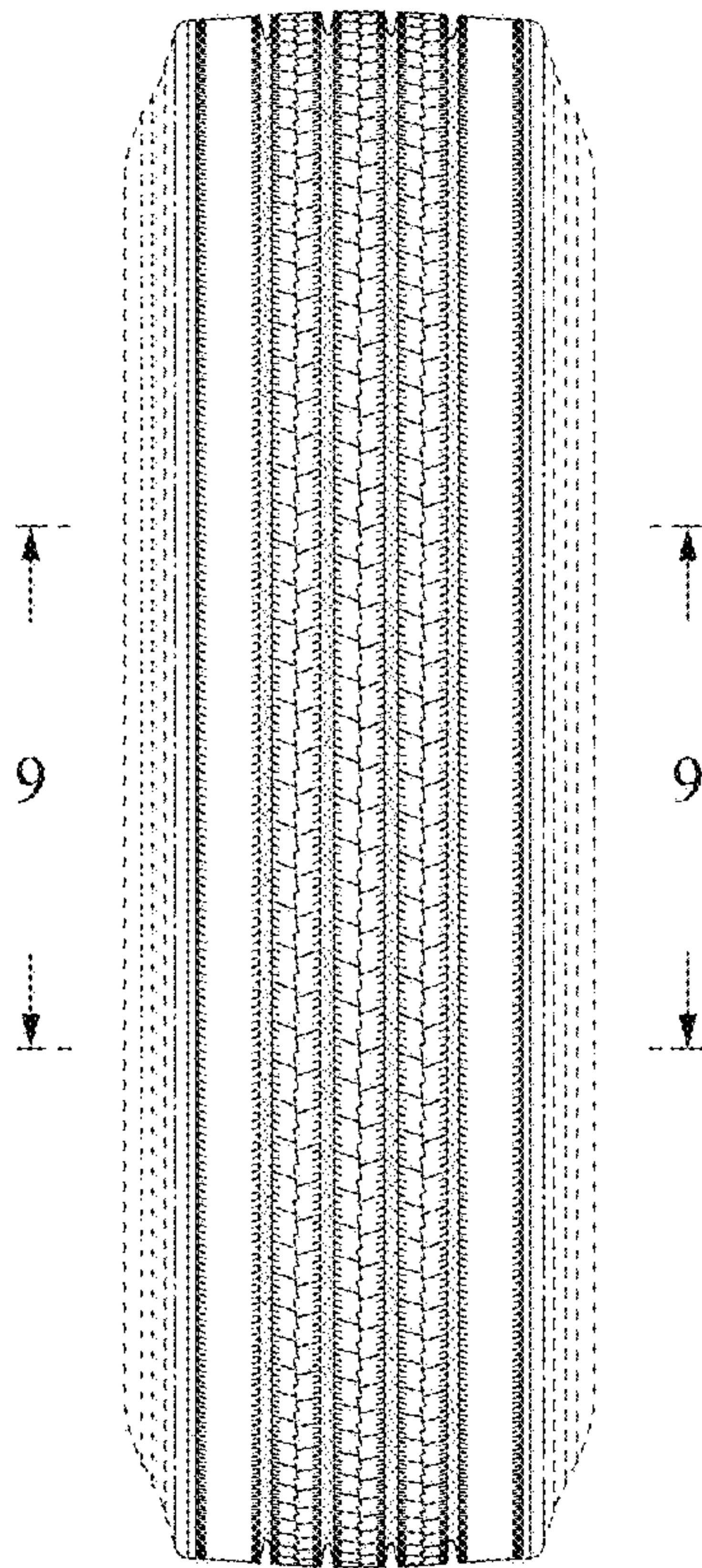


FIG. 3

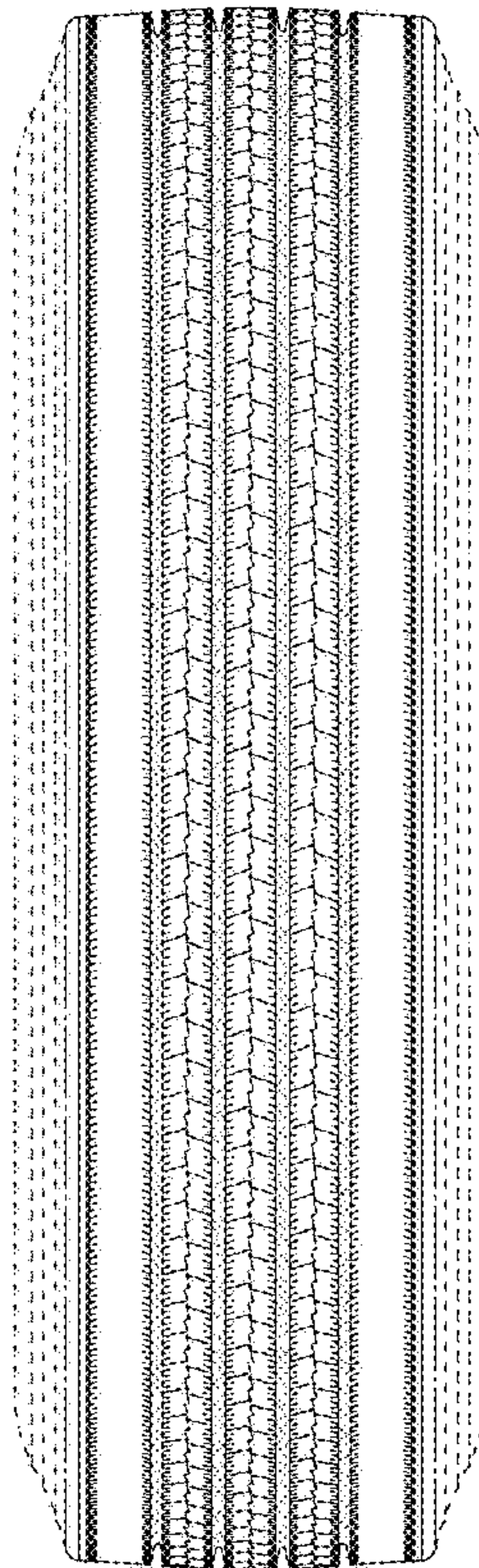


FIG. 4

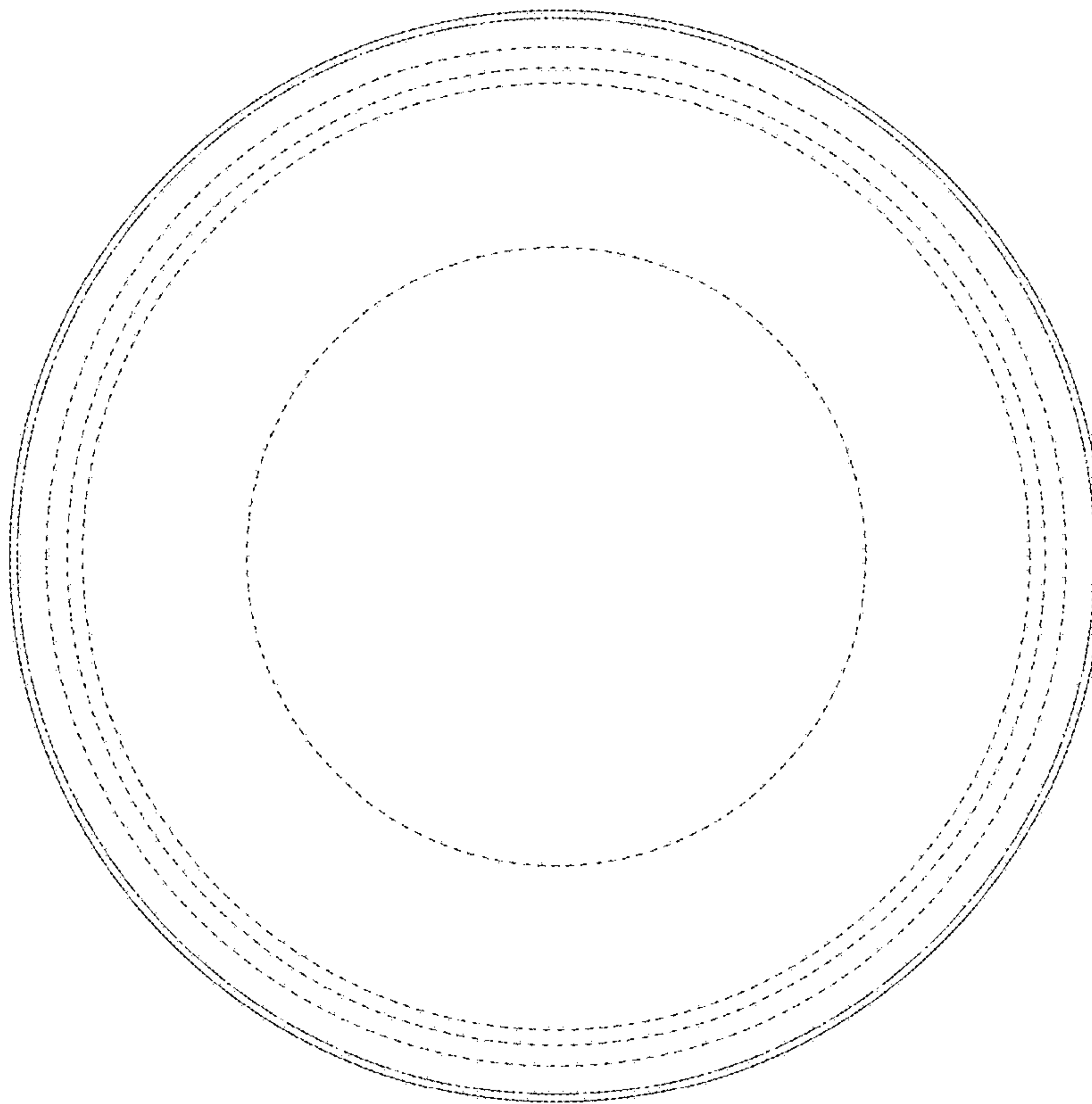


FIG. 5

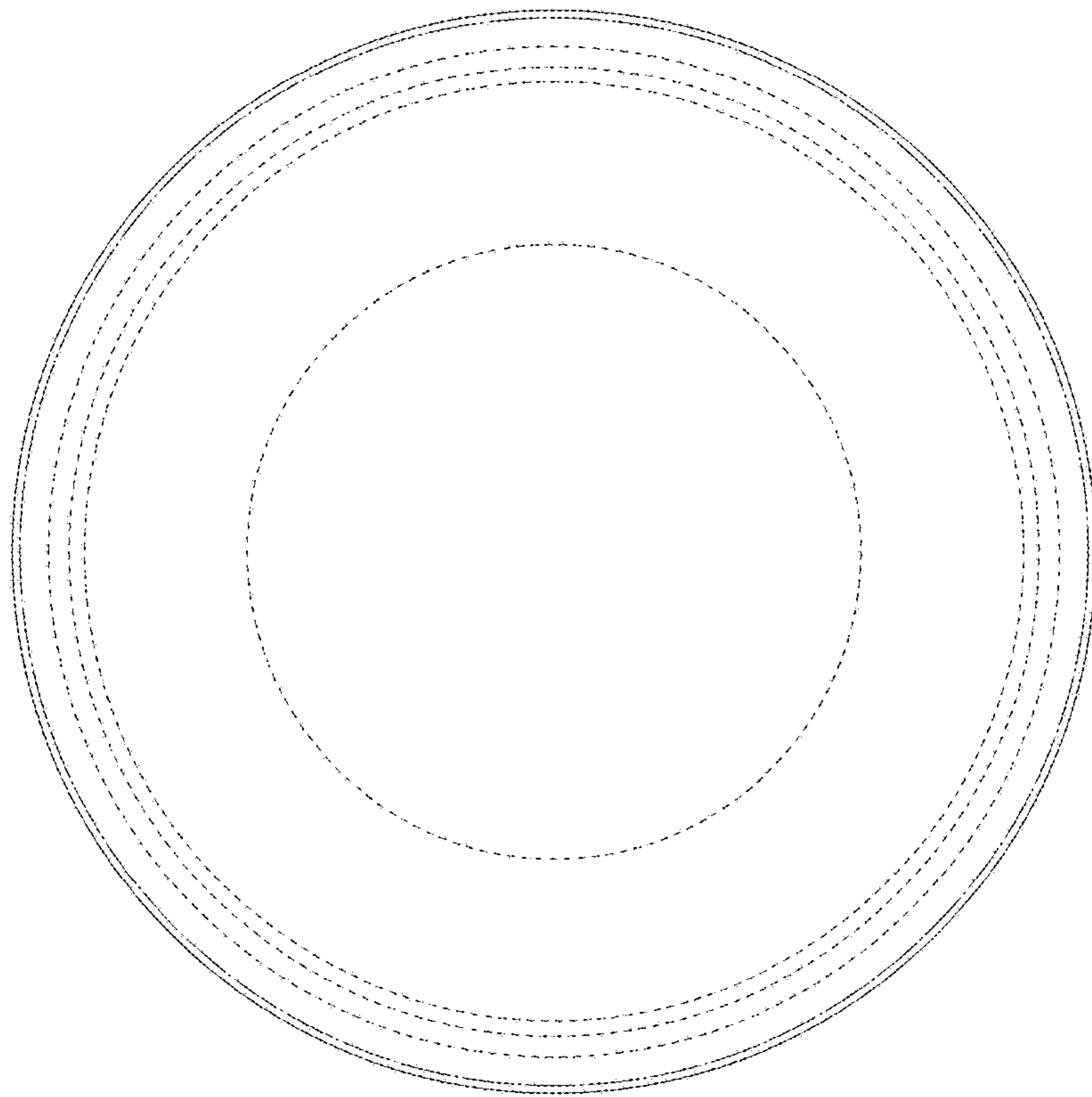


FIG. 6

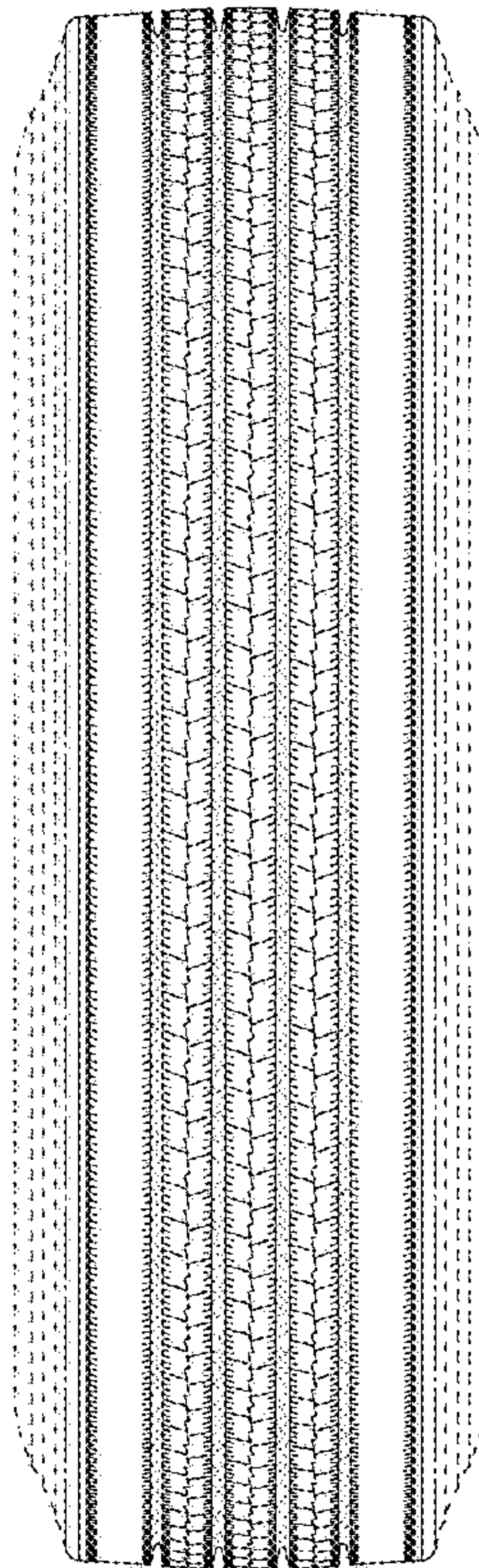


FIG. 7

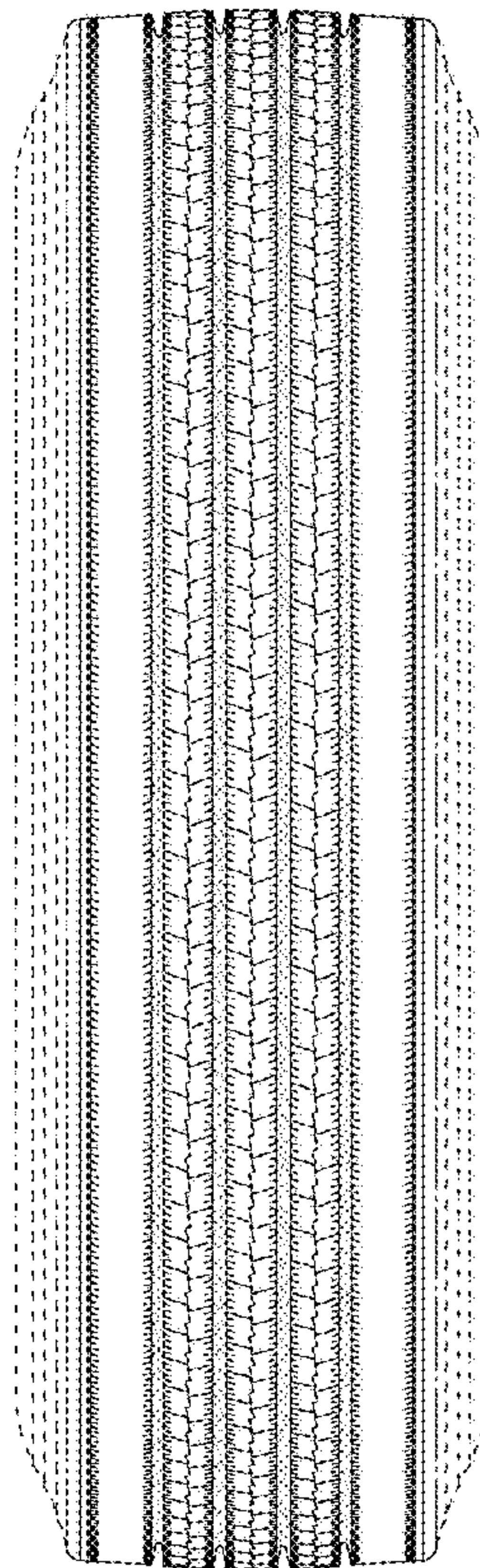


FIG. 8

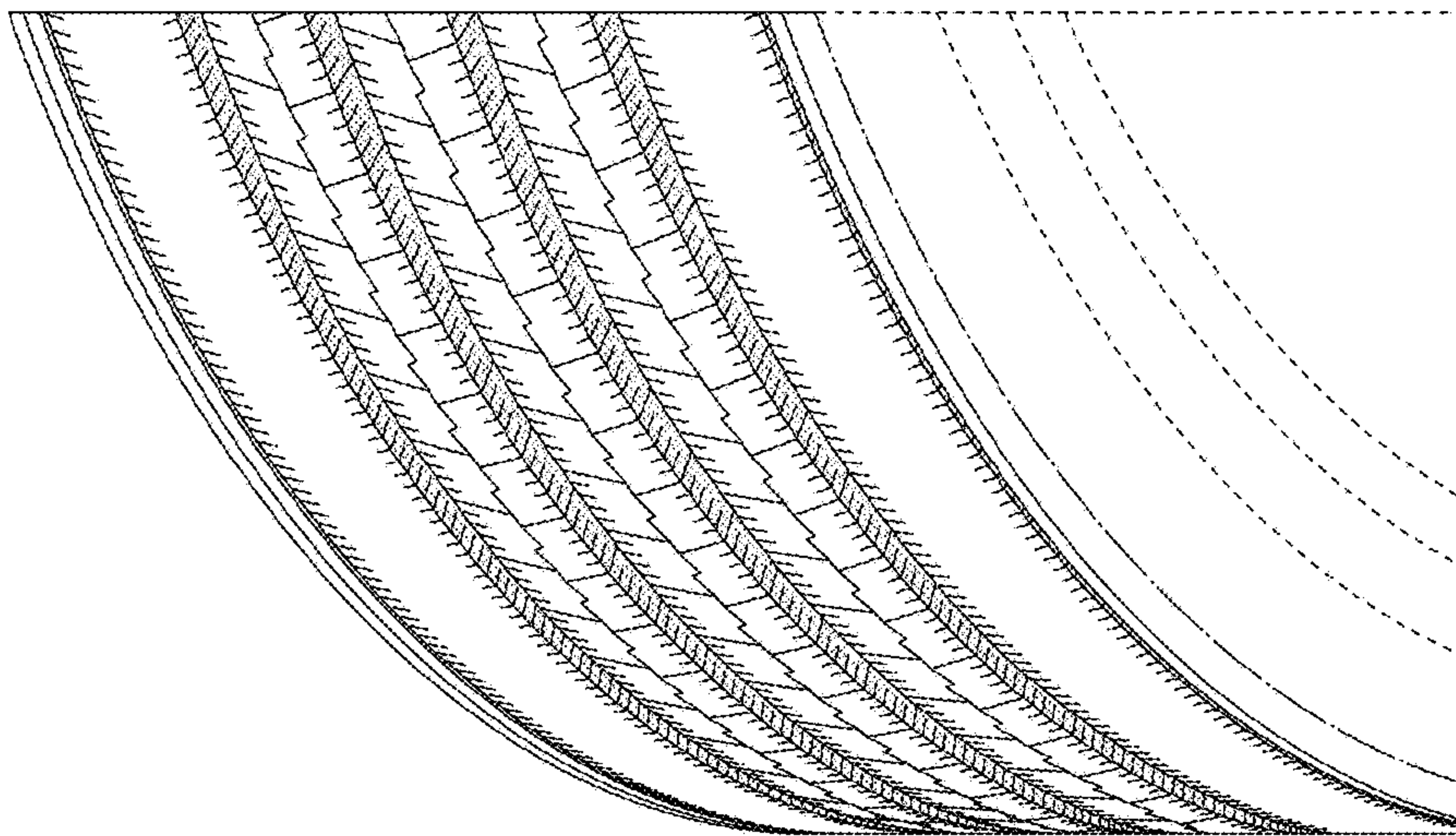


FIG. 9

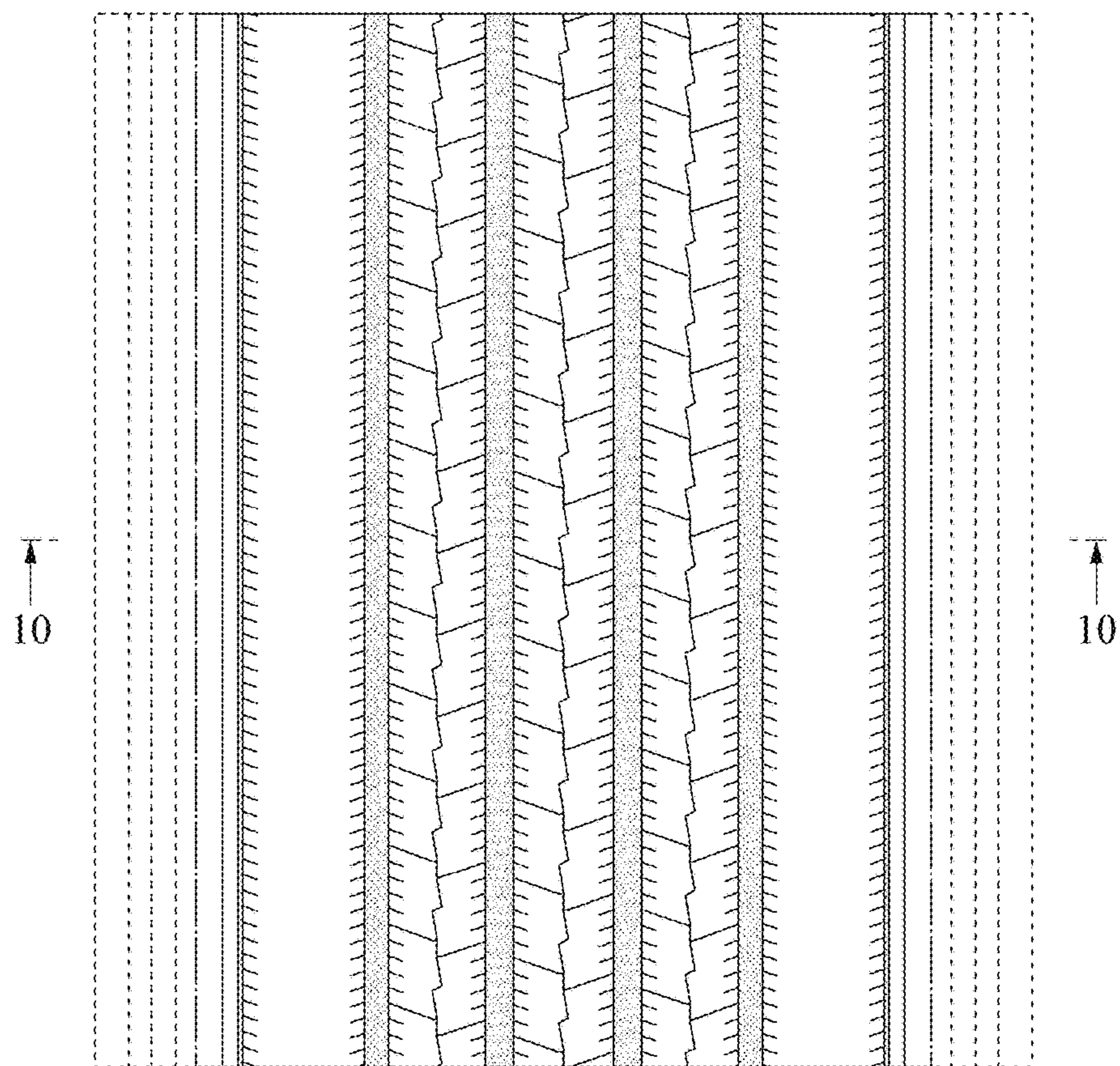


FIG. 10

