



US00D865654S

(12) **United States Design Patent**  
**Ishizaka**

(10) **Patent No.:** **US D865,654 S**  
(45) **Date of Patent:** **\*\* Nov. 5, 2019**

(54) **AUTOMOBILE TIRE**

FOREIGN PATENT DOCUMENTS

(71) Applicant: **THE YOKOHAMA RUBBER CO., LTD.**, Minato-ku, Tokyo (JP)

JP D1345890 S 12/2008

(72) Inventor: **Takahide Ishizaka**, Hiratsuka (JP)

OTHER PUBLICATIONS

(73) Assignee: **THE YOKOHAMA RUBBER CO., LTD.**, Minato-ku, Tokyo (JP)

May 8, 2018—(JP) Notification of Reasons for Refusal—App 2017-025513.

(\*\*) Term: **15 Years**

\* cited by examiner

*Primary Examiner* — Lakiya G Rogers

*Assistant Examiner* — John A Voytek

(21) Appl. No.: **29/647,677**

(74) *Attorney, Agent, or Firm* — Banner & Witcoff, Ltd.

(22) Filed: **May 15, 2018**

(57) **CLAIM**

The ornamental design for an automobile tire, as shown and described.

(30) **Foreign Application Priority Data**

**DESCRIPTION**

Nov. 15, 2017 (JP) ..... 2017-025513

(51) **LOC (12) Cl.** ..... **12-15**

(52) **U.S. Cl.**

USPC ..... **D12/564**

(58) **Field of Classification Search**

USPC ..... D12/533–567, 604

CPC ..... Y10T 152/10027; B60C 1/0016; B60C

11/0306; B60C 11/0302; B60C 3/06;

B60C 9/17

See application file for complete search history.

(56) **References Cited**

U.S. PATENT DOCUMENTS

D586,727 S *	2/2009	Campana	.....	D12/545
D735,639 S *	8/2015	Tian	.....	D12/536
D741,251 S *	10/2015	Honda	.....	D12/567
D780,671 S *	3/2017	Aube	.....	D12/553
D783,509 S *	4/2017	Scalas	.....	D12/567
D815,018 S *	4/2018	Dieng	.....	D12/553
D818,423 S *	5/2018	Yasuda	.....	D12/549

FIG. 1 is a perspective view of an automobile tire showing my new design;  
FIG. 2 is a front view thereof;  
FIG. 3 is a rear view thereof;  
FIG. 4 is a right side view thereof;  
FIG. 5 is a left side view thereof;  
FIG. 6 is a top view thereof;  
FIG. 7 is a bottom view thereof;  
FIG. 8 is an enlarged perspective view thereof taken at a portion defined by lines 8-8 shown in FIG. 1;  
FIG. 9 is an enlarged view thereof taken at a portion defined by lines 9-9 shown in FIG. 2; and,  
FIG. 10 is a cross-sectional view thereof taken at a portion defined by lines 10-10 shown in FIG. 9.

In the drawings, the broken lines depict environmental subject matter only and form no part of the claimed design. The dot and dashed lines represents a boundary between the claimed portion and the non-claimed portion.

**1 Claim, 10 Drawing Sheets**

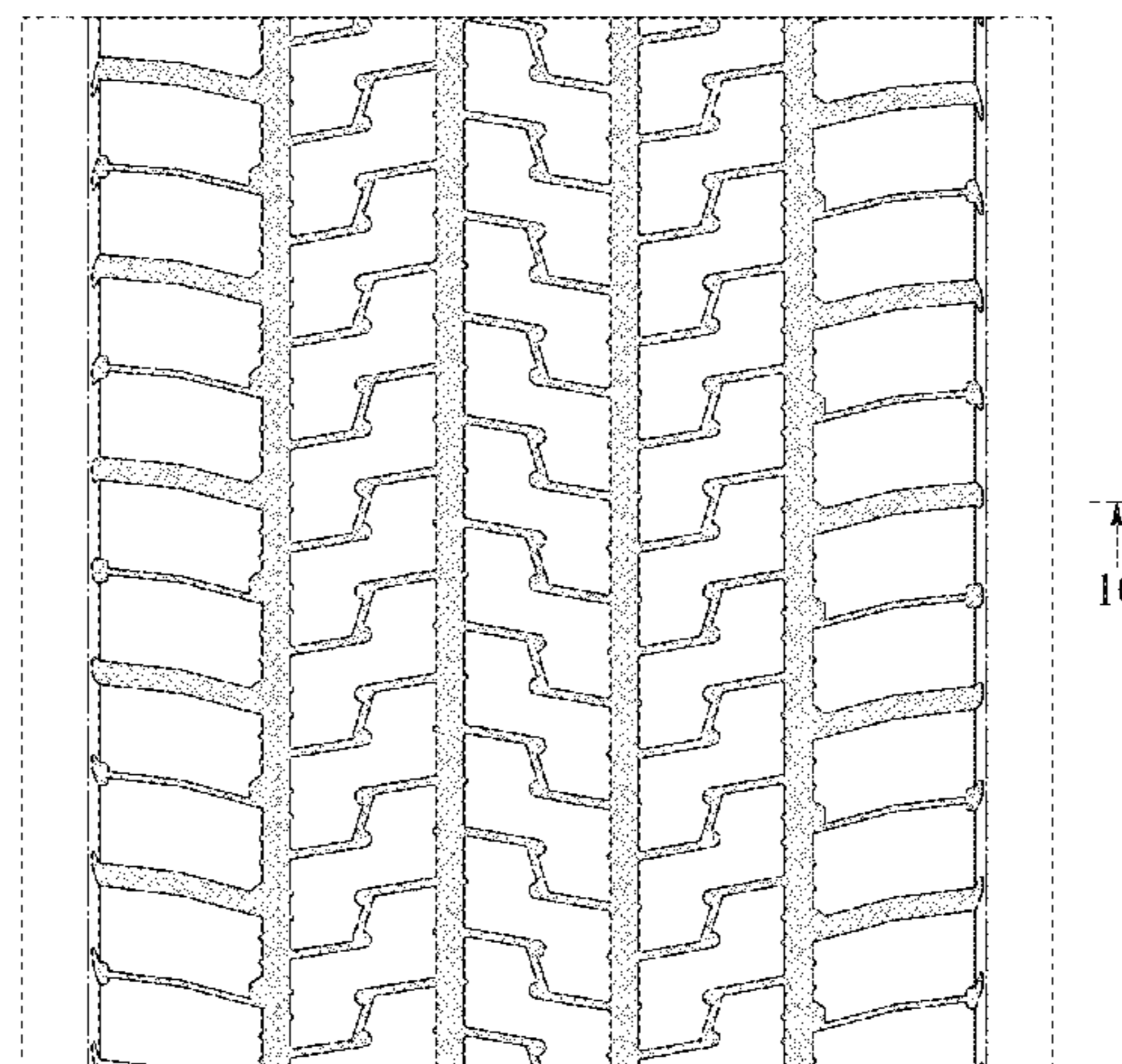
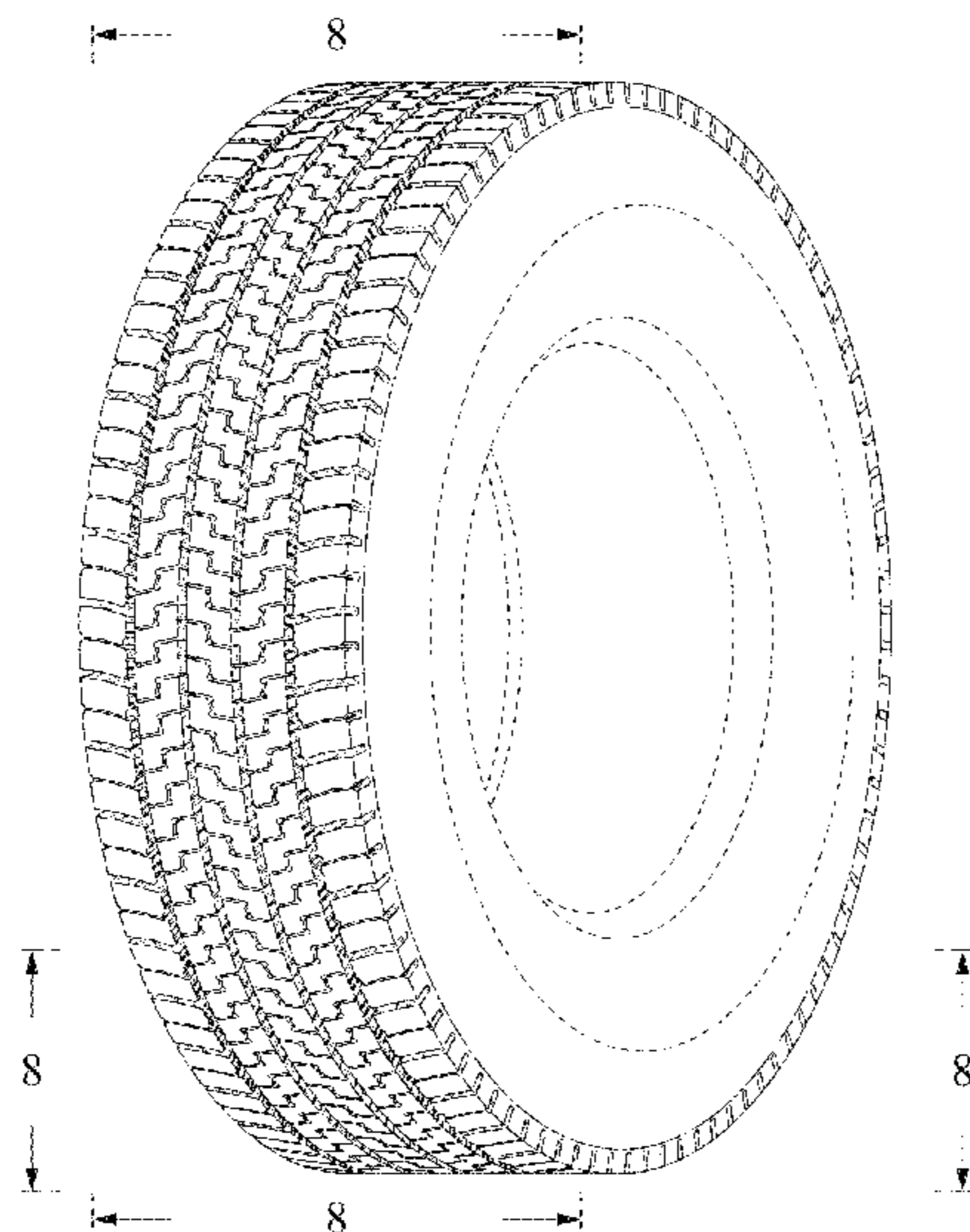
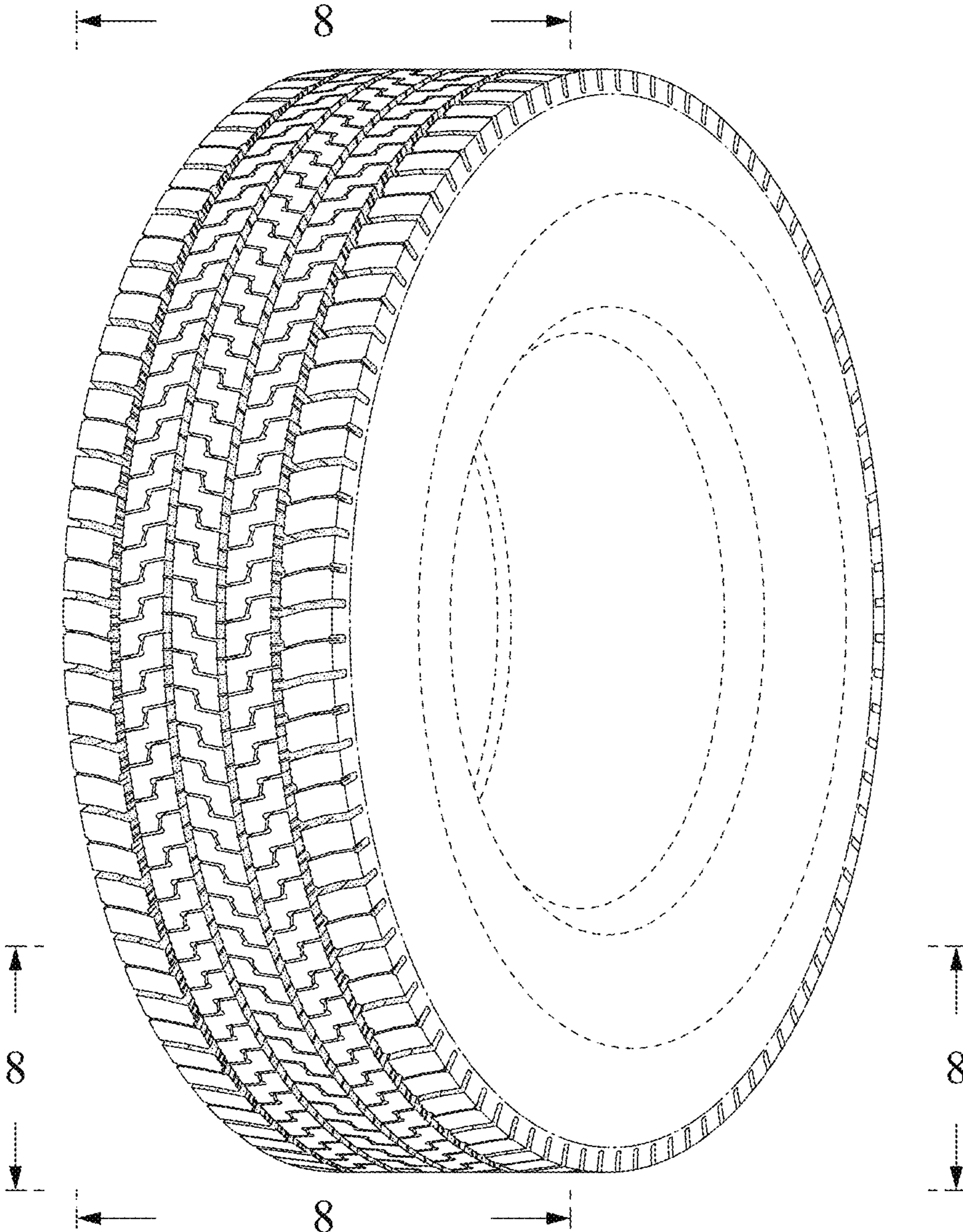
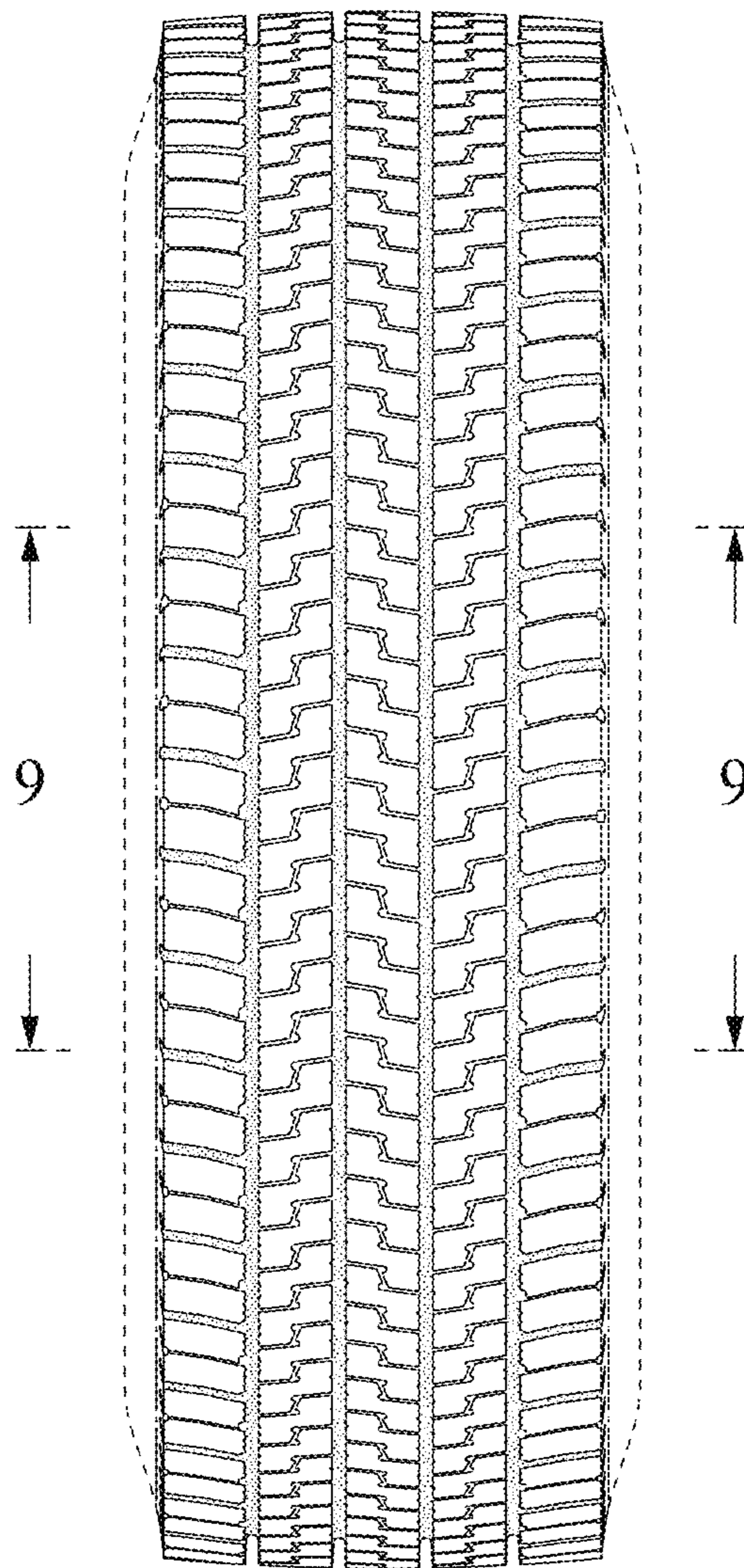


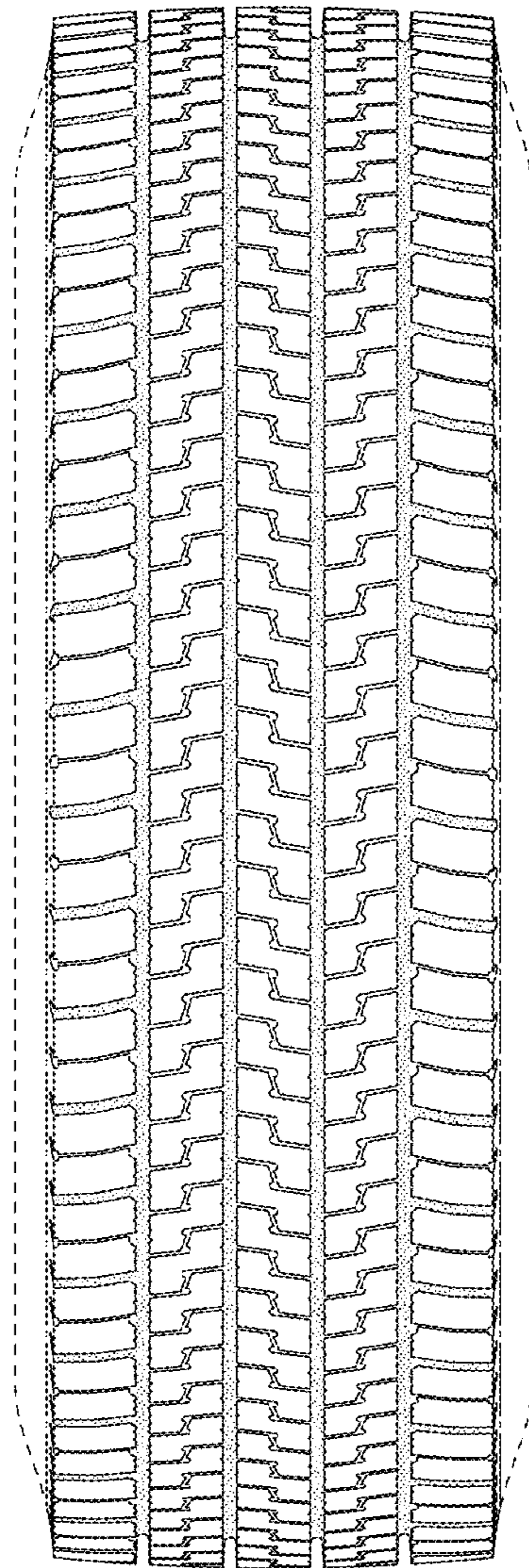
FIG. 1



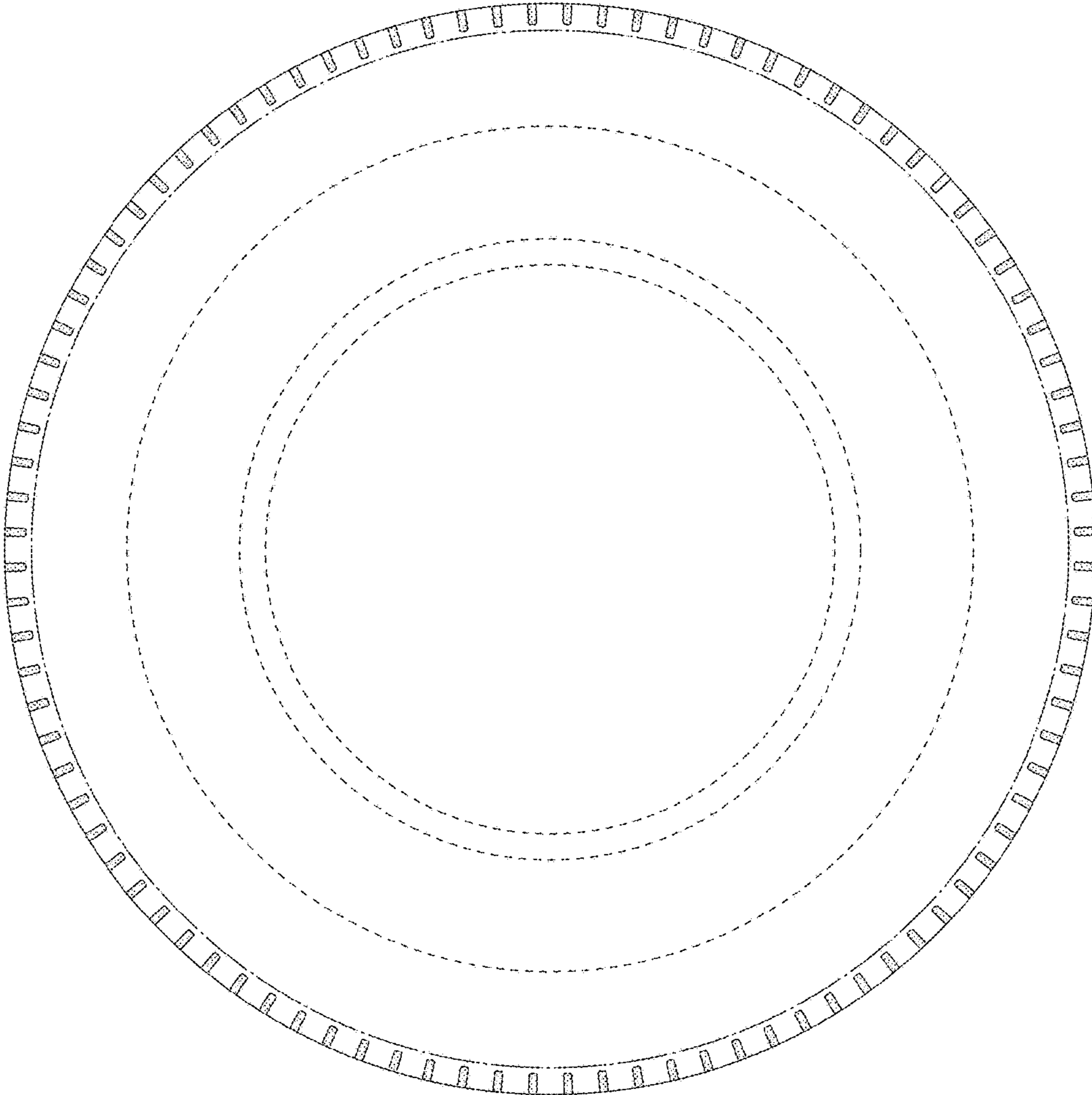
**FIG. 2**



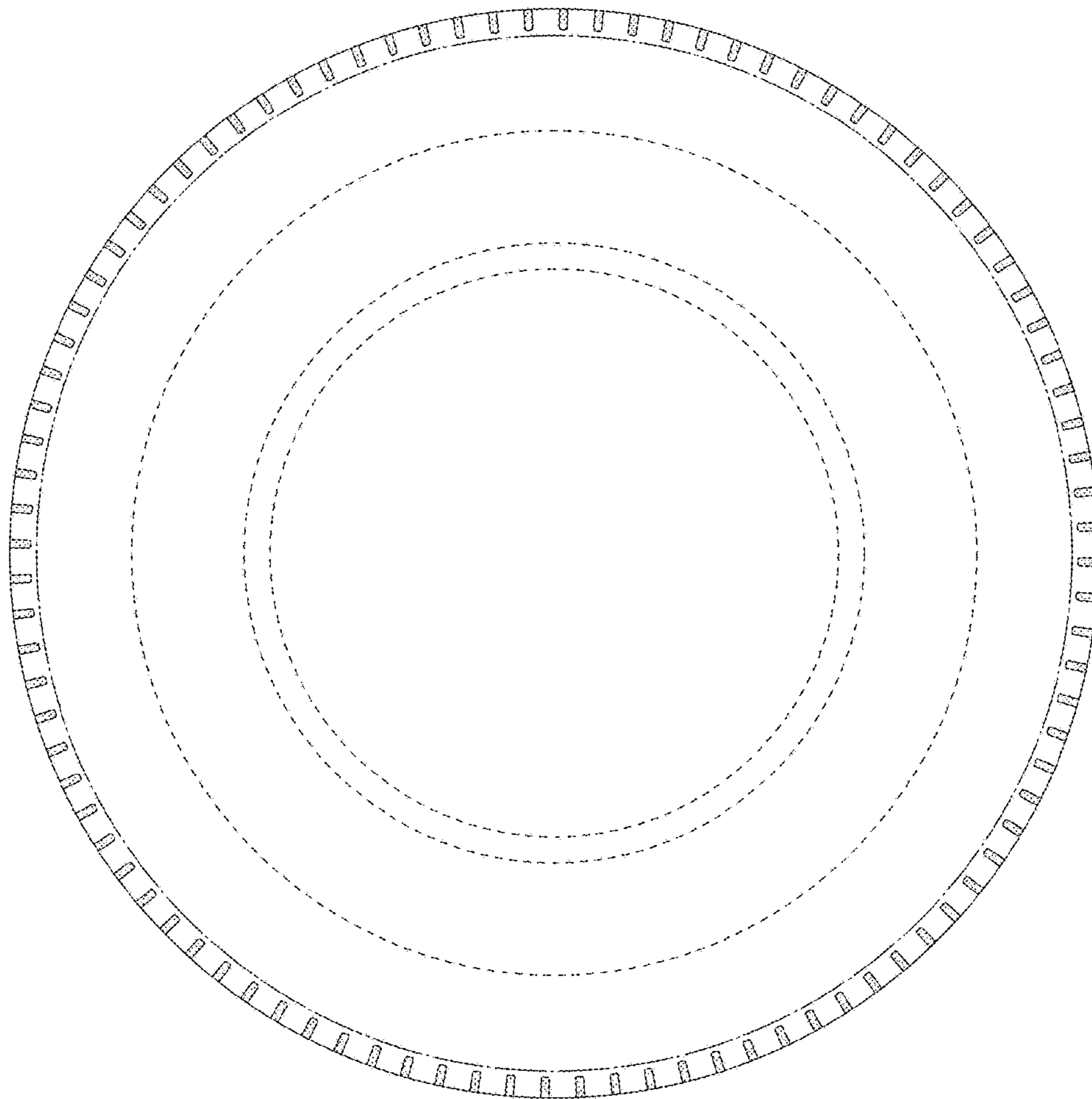
**FIG. 3**



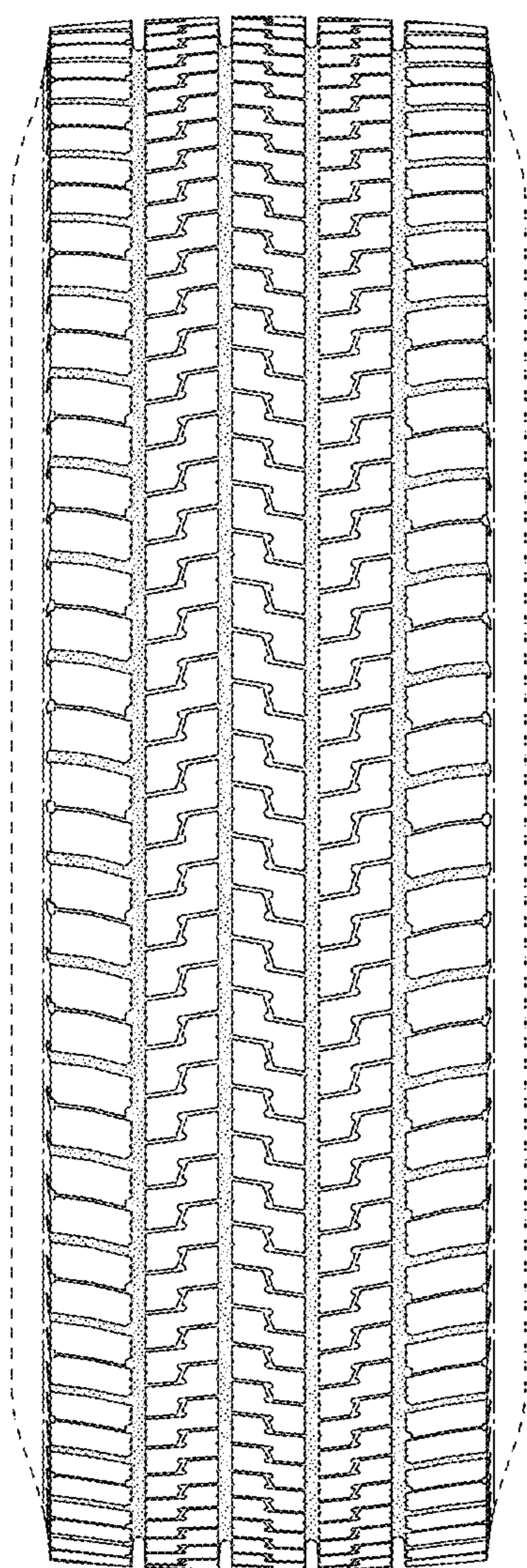
**FIG. 4**



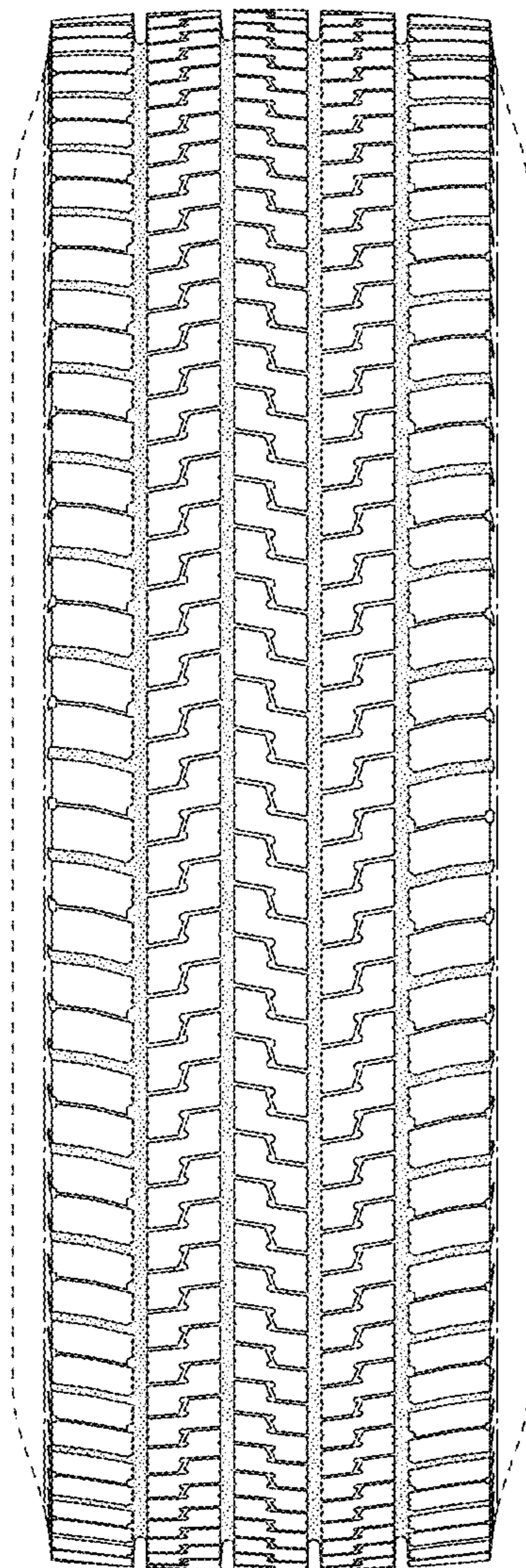
**FIG. 5**



**FIG. 6**



**FIG. 7**





**FIG. 8**

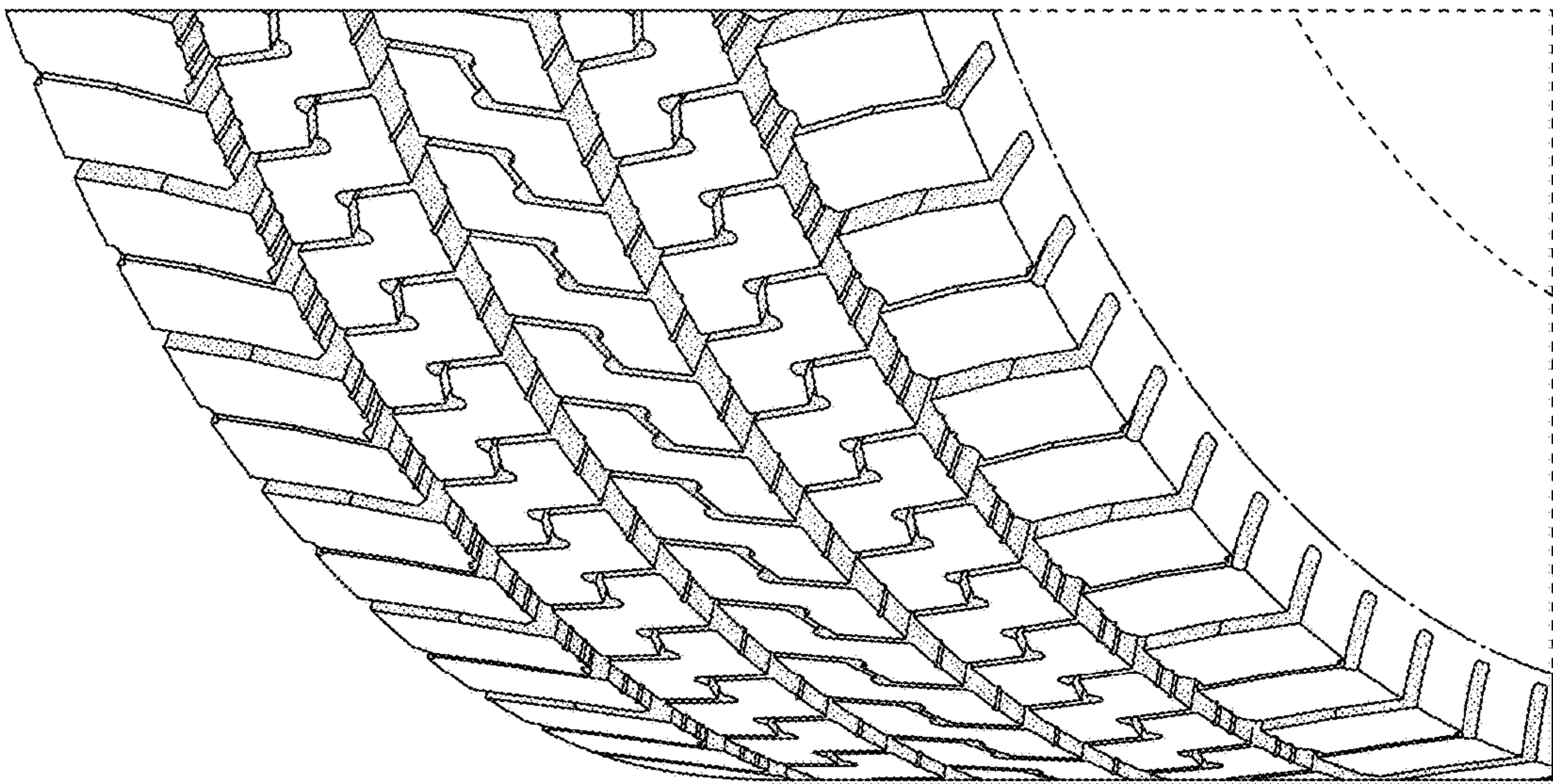
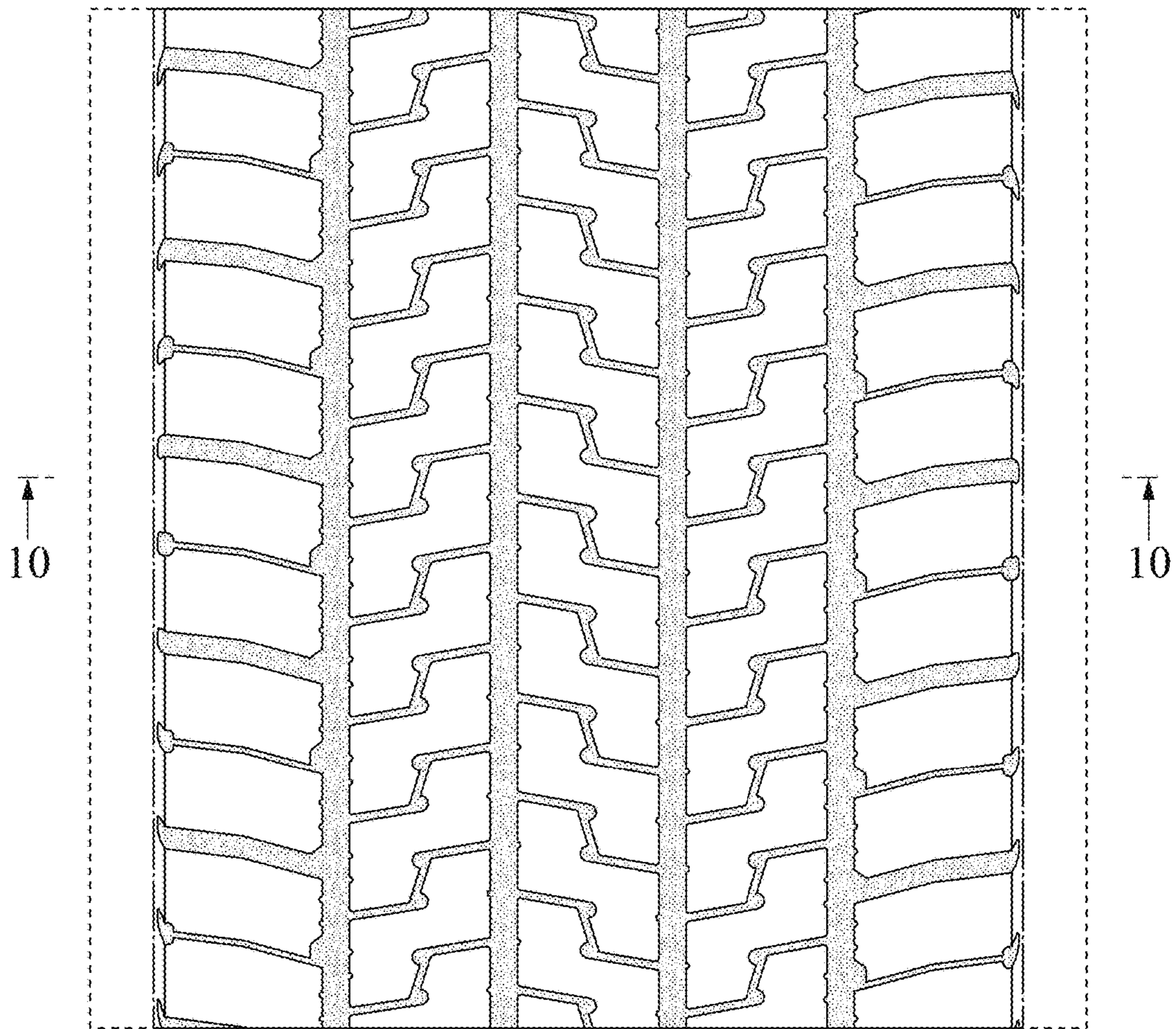


FIG. 9



**FIG. 10**

