



US00D865651S

(12) **United States Design Patent**
Yamazoe

(10) **Patent No.:** **US D865,651 S**

(45) **Date of Patent:** **** Nov. 5, 2019**

- (54) **TIRE FOR MOTORCYCLE**
- (71) Applicant: **SUMITOMO RUBBER INDUSTRIES, LTD.**, Kobe-shi, Hyogo (JP)
- (72) Inventor: **Shohei Yamazoe**, Kobe (JP)
- (73) Assignee: **SUMITOMO RUBBER INDUSTRIES, LTD.**, Kobe-Shi, Hyogo (JP)

(**) Term: **15 Years**

(21) Appl. No.: **29/656,991**

(22) Filed: **Jul. 18, 2018**

(51) **LOC (12) Cl.** **12-15**

(52) **U.S. Cl.**
USPC **D12/536**

(58) **Field of Classification Search**
USPC D12/533-567, 604
CPC Y10T 152/10027; B60C 1/0016; B60C 11/0306; B60C 11/0302; B60C 3/06; B60C 9/17
See application file for complete search history.

(56) **References Cited**

U.S. PATENT DOCUMENTS

- D391,532 S * 3/1998 Lo D12/536
- D583,303 S * 12/2008 Sueishi D12/536

- D595,637 S * 7/2009 Sueishi D12/536
- D597,927 S * 8/2009 Sueishi D12/536
- D626,498 S * 11/2010 Rossignaud D12/536
- D670,233 S * 11/2012 Hikita D12/536
- D678,180 S * 3/2013 Hikita D12/536
- D685,317 S * 7/2013 Lo D12/536
- D686,564 S * 7/2013 Hikita D12/571
- D746,762 S * 1/2016 Sueishi D12/536
- D747,679 S * 1/2016 Miwa D12/536
- D777,647 S * 1/2017 Oba D12/536
- D832,775 S * 11/2018 Shirakami D12/571

* cited by examiner

Primary Examiner — Lakiya G Rogers

Assistant Examiner — John A Voytek

(74) *Attorney, Agent, or Firm* — Birch, Stewart, Kolasch & Birch, LLP

(57) **CLAIM**

The ornamental design for a tire for motorcycle, as shown and described.

DESCRIPTION

FIG. 1 is a front perspective view of a tire for motorcycle showing my new design;
FIG. 2 is a front view thereof;
FIG. 3 is a left side view thereof;
FIG. 4 is a rear view thereof;
FIG. 5 is a right side view thereof;
FIG. 6 is a bottom view thereof;
FIG. 7 is a top view thereof; and,
FIG. 8 is a partial enlarged view of FIG. 2

1 Claim, 8 Drawing Sheets

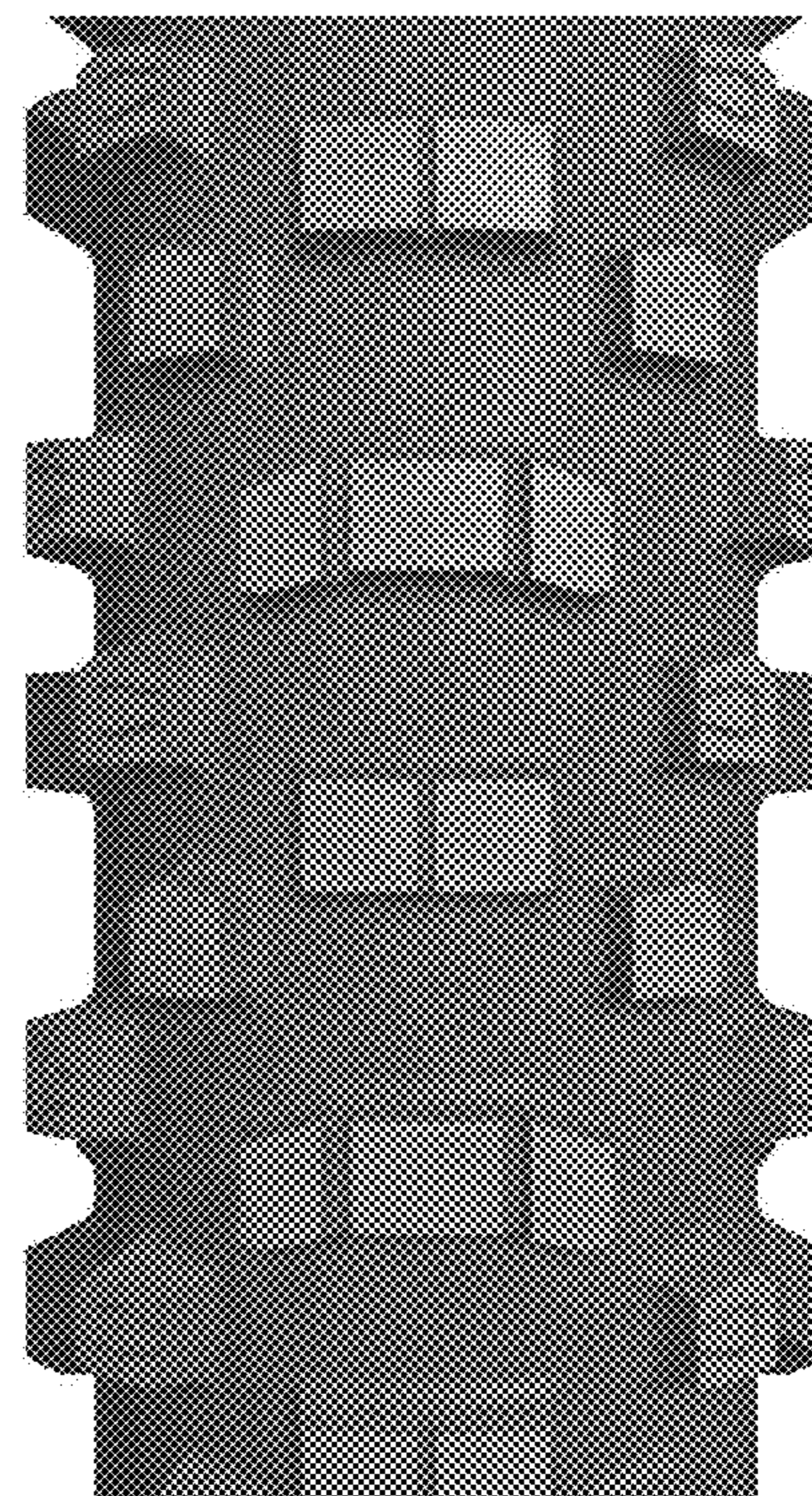




FIG. 1

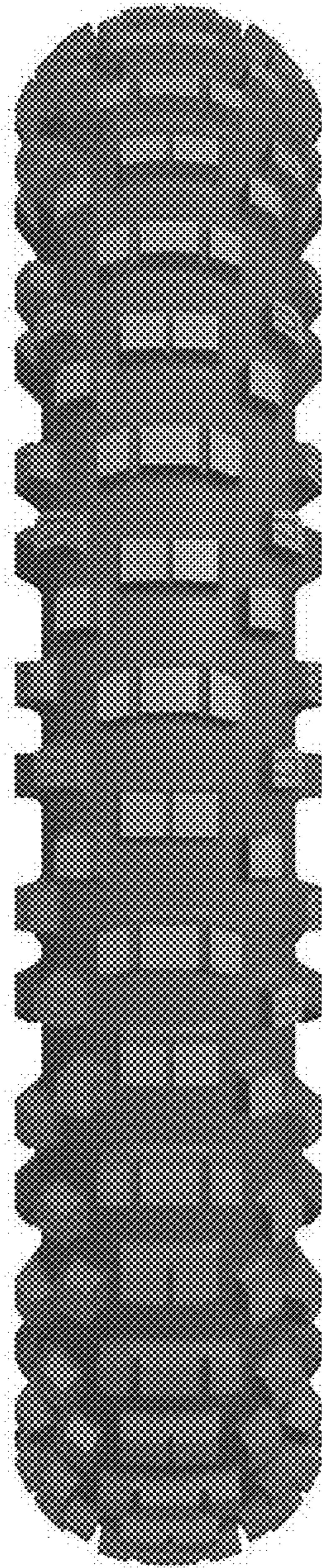


FIG. 2



FIG. 3

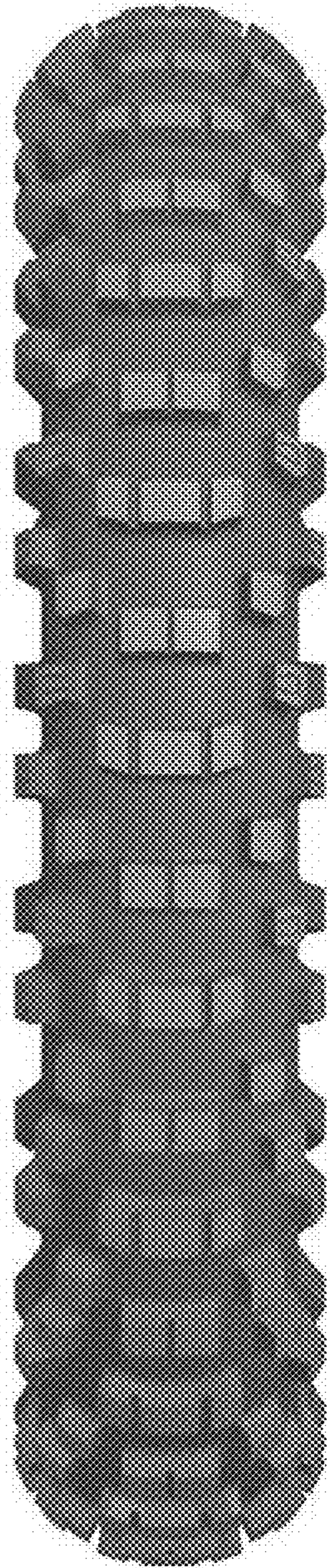


FIG. 4



FIG. 5

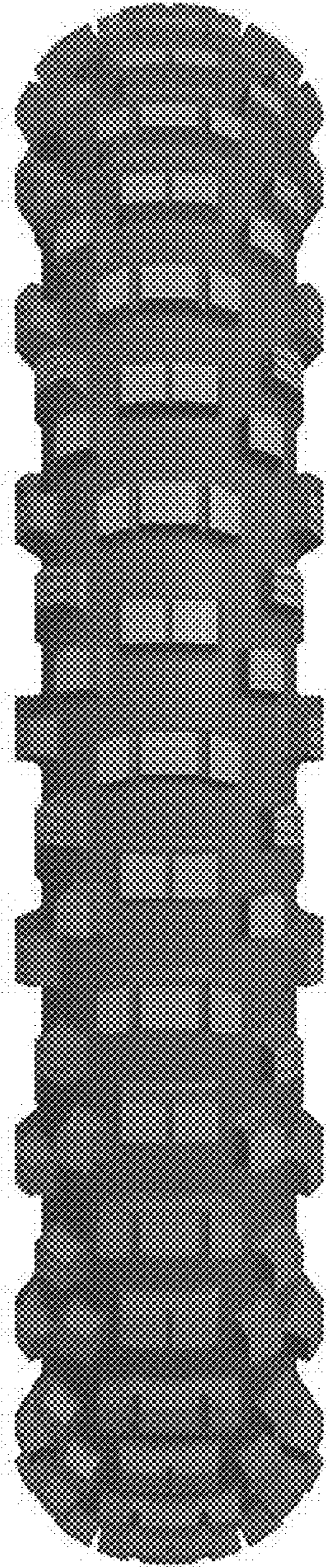


FIG. 6

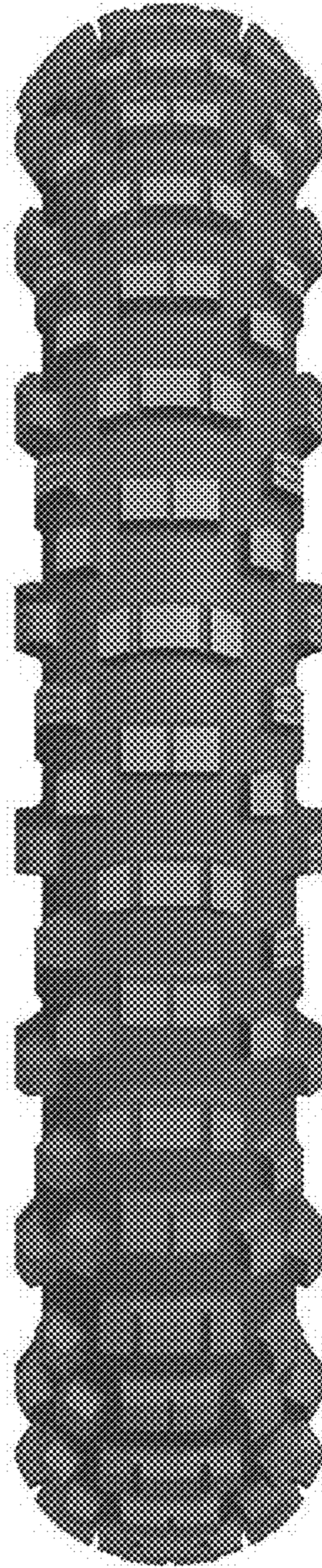


FIG. 7

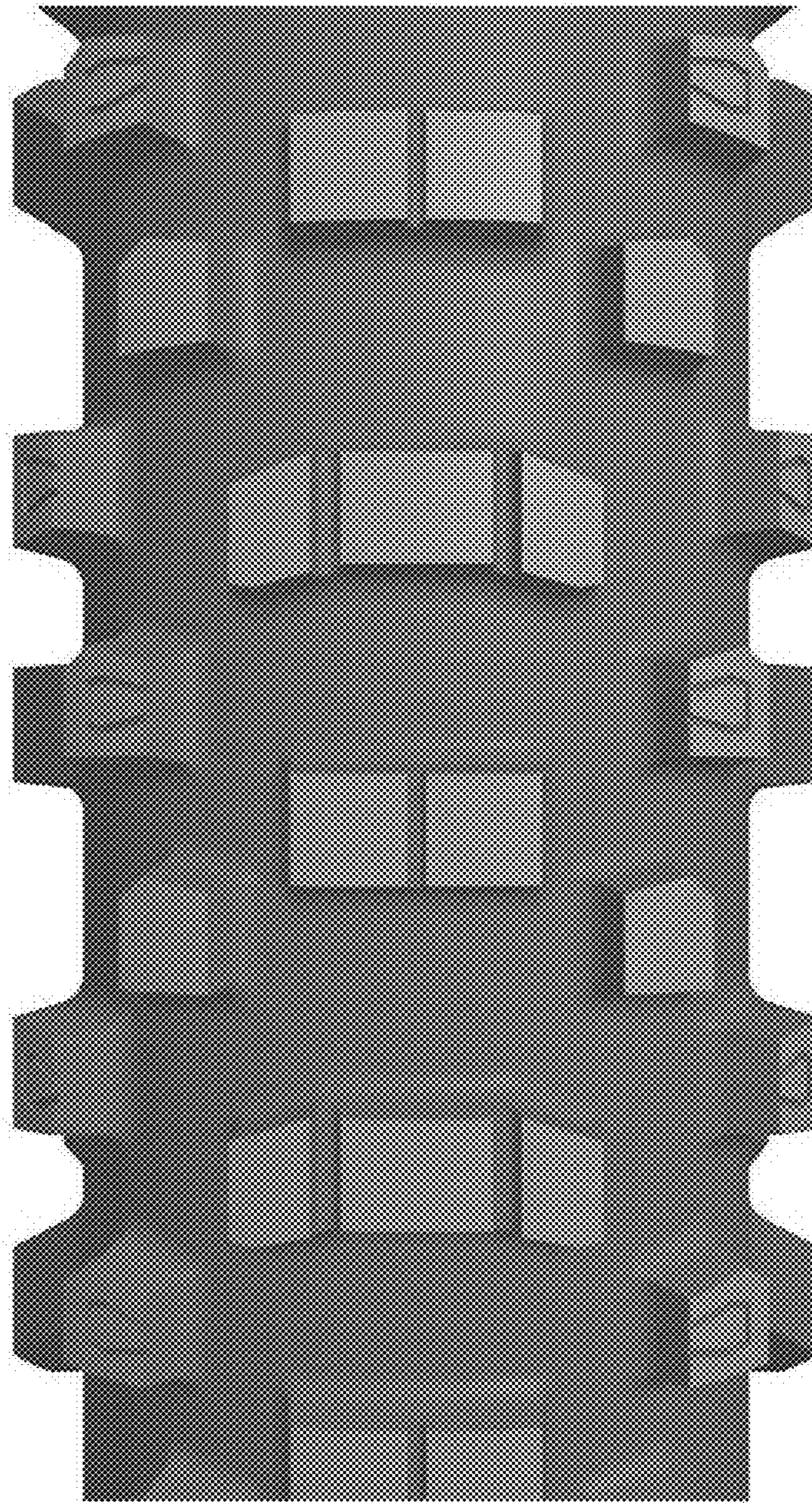


FIG. 8