



US00D865647S

(12) **United States Design Patent** (10) **Patent No.:** **US D865,647 S**  
**Goh** (45) **Date of Patent:** **\*\* Nov. 5, 2019**

(54) **HOLDER FOR VEHICLES**

(71) Applicant: **Seng-Kiat Goh**, Changhua (TW)

(72) Inventor: **Seng-Kiat Goh**, Changhua (TW)

(\*\*) Term: **15 Years**

(21) Appl. No.: **29/655,482**

(22) Filed: **Jul. 3, 2018**

(51) **LOC (12) Cl.** ..... **12-16**

(52) **U.S. Cl.**  
USPC ..... **D12/422**

(58) **Field of Classification Search**  
USPC ..... D12/415-426, 400, 195, 96, 345;  
220/737; 297/188.14, 188.18, 411.26,  
297/411.23; 248/223.31, 311.2; D7/620,  
D7/619.1, 625, 701; 296/37.1, 37.8,  
296/37.13, 37.16  
CPC .. B60R 7/08; B60R 7/00; B60R 7/043; B60R  
11/00; A47G 23/00; A47G 23/03; A47G  
23/0266; B60N 2/44; F16M 11/12; F16M  
11/10

See application file for complete search history.

(56) **References Cited**

**U.S. PATENT DOCUMENTS**

D318,949 S \* 8/1991 Mawhinney ..... D12/422  
D322,498 S \* 12/1991 McClees ..... D12/422

D344,180 S \* 2/1994 Garcia ..... D12/416  
D724,004 S \* 3/2015 McFarlin ..... D12/419  
D804,394 S \* 12/2017 Bergin ..... D12/419

\* cited by examiner

*Primary Examiner* — Abraham Bahta  
(74) *Attorney, Agent, or Firm* — Che-Yang Chen; Law  
Offices of Scott Warmuth

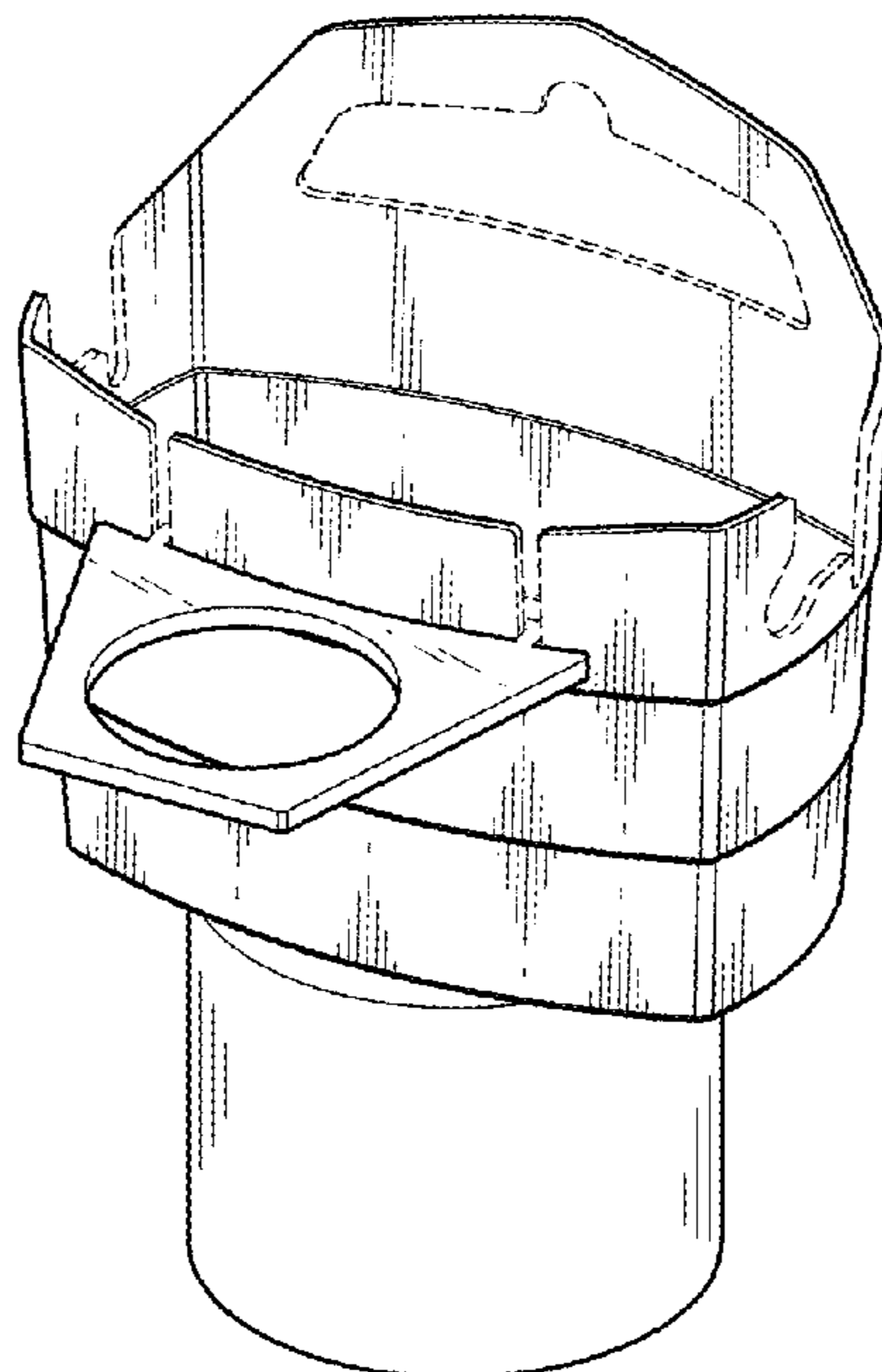
(57) **CLAIM**

The ornamental design for a holder for vehicles, as shown and described.

**DESCRIPTION**

FIG. 1 is a perspective view of a holder for vehicles showing my new design;  
FIG. 2 is a front elevational view thereof;  
FIG. 3 is a rear elevational view thereof;  
FIG. 4 is a left side elevational view thereof;  
FIG. 5 is a right side elevational view thereof;  
FIG. 6 is a top plan view thereof; and,  
FIG. 7 is a bottom plan view thereof.  
The broken line showing of portions of the holder for vehicles is included for the purpose of illustrating environmental structure and forms no part of the claimed design.

**1 Claim, 4 Drawing Sheets**



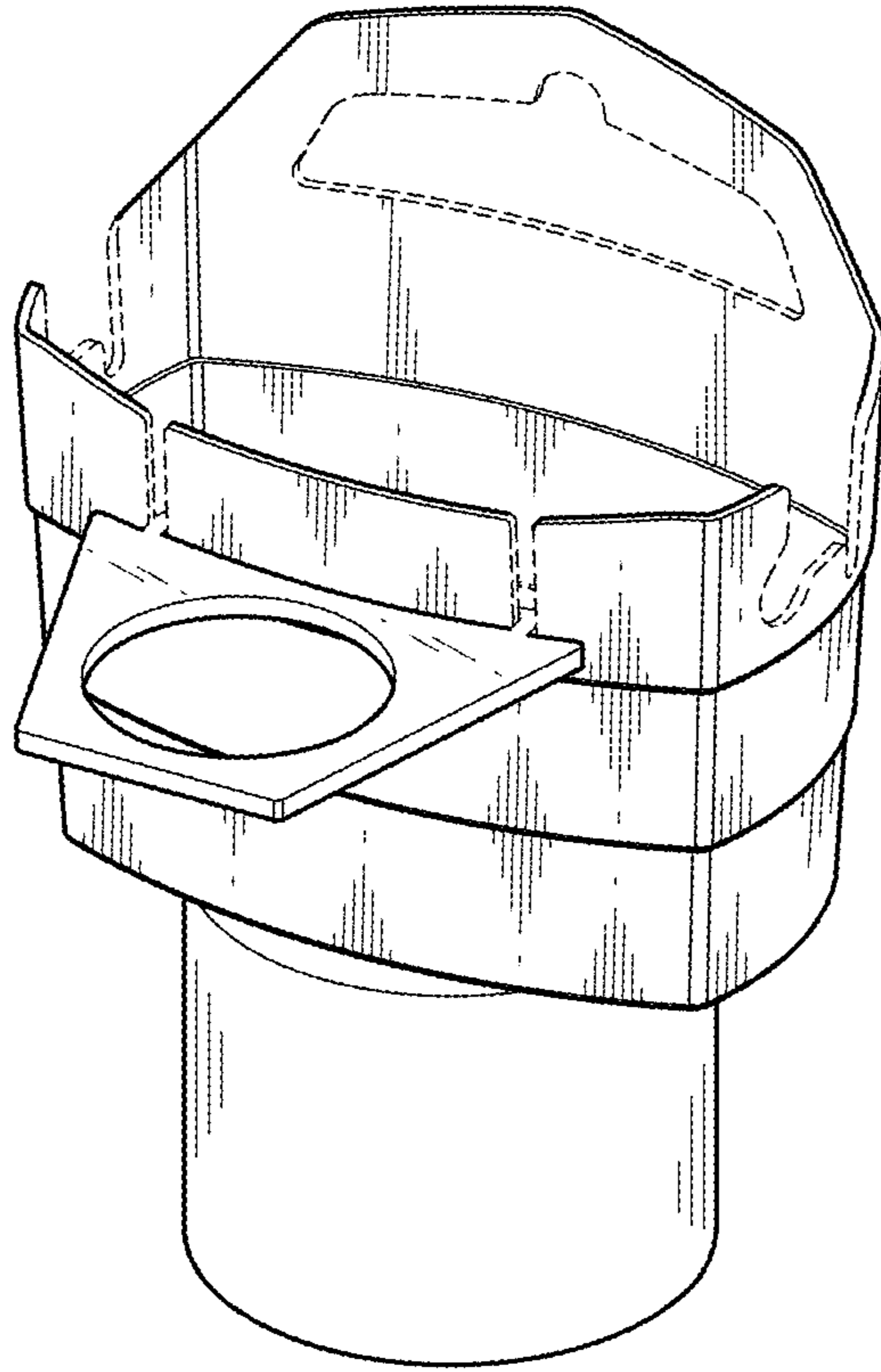


FIG. 1

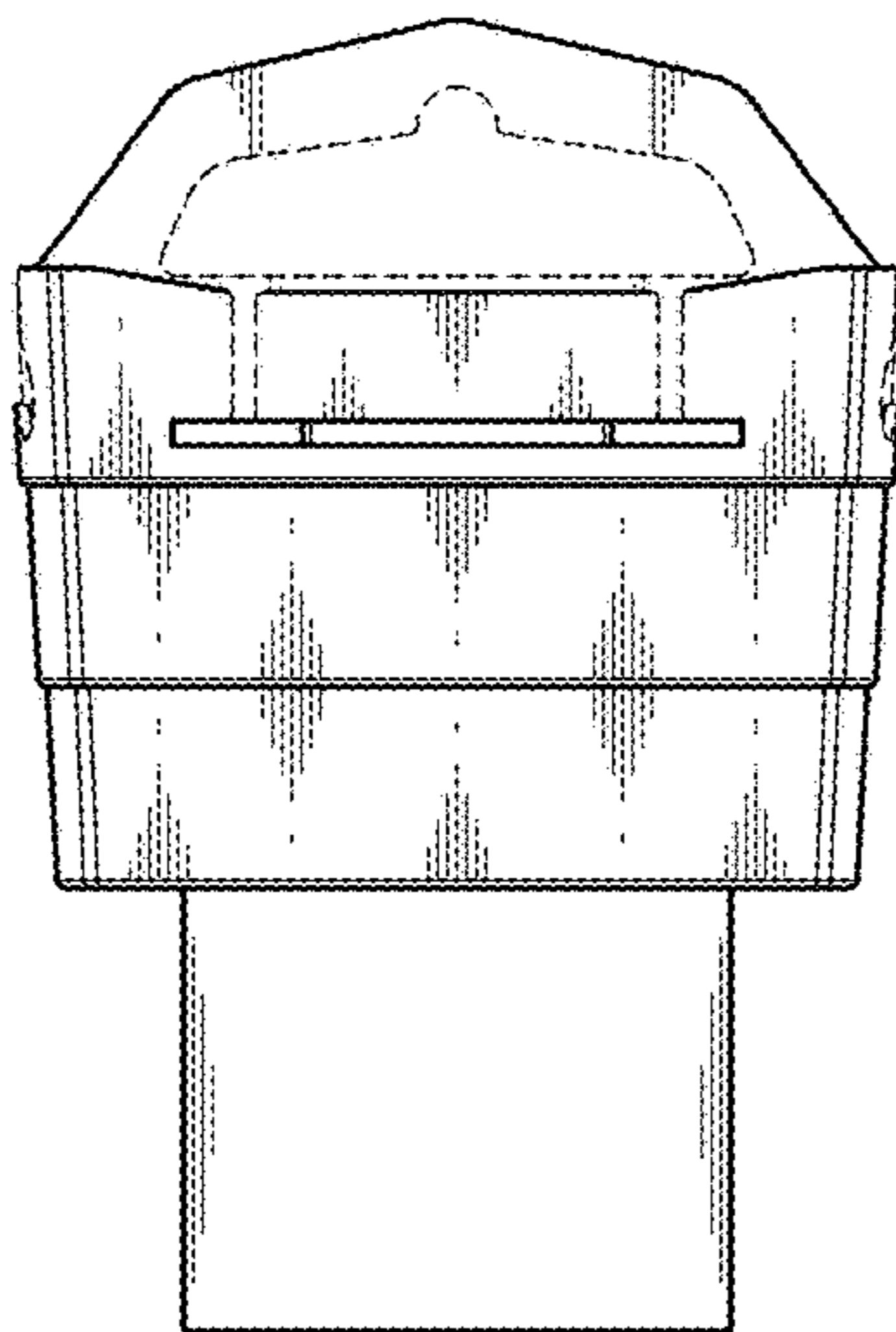


FIG. 2

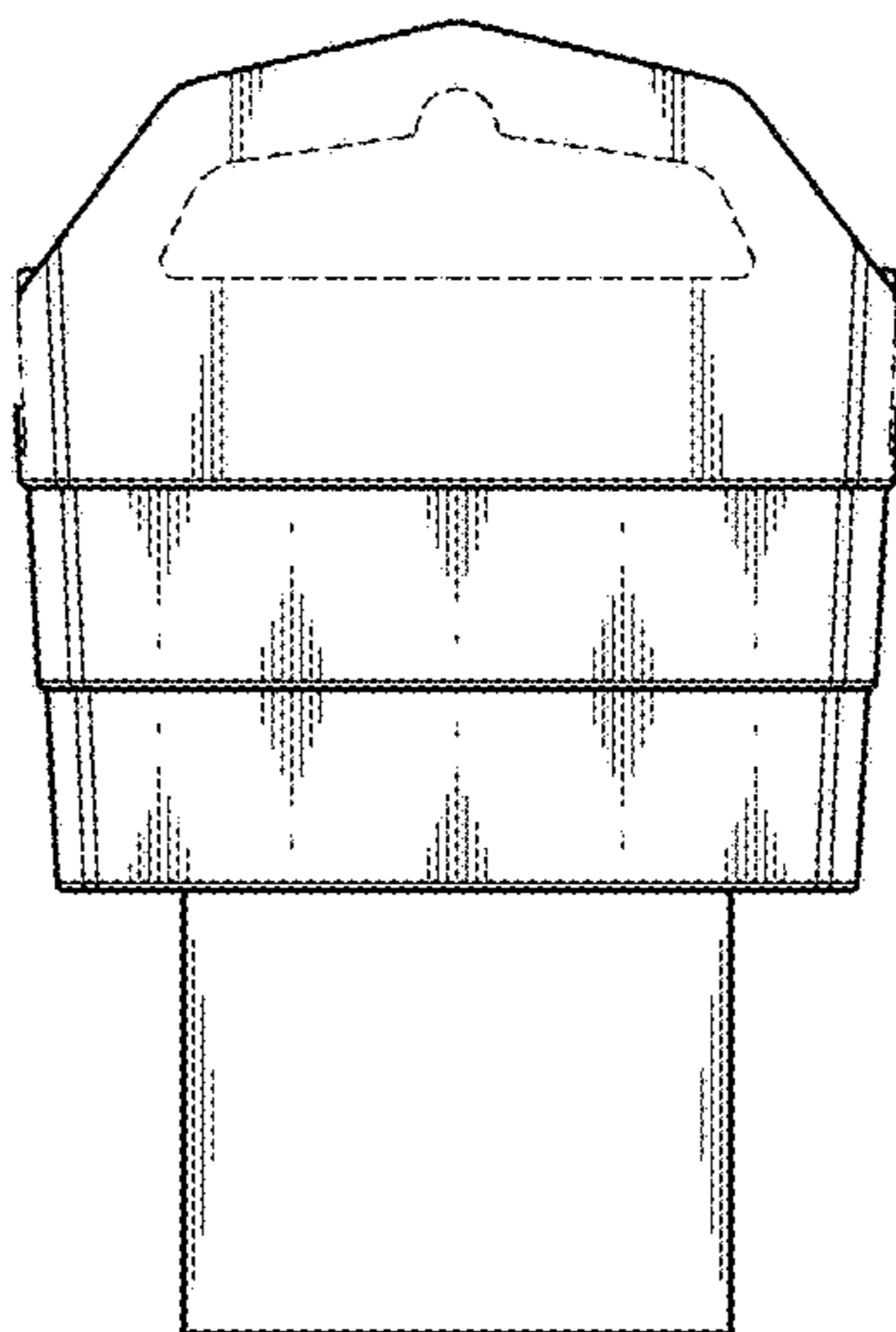


FIG. 3

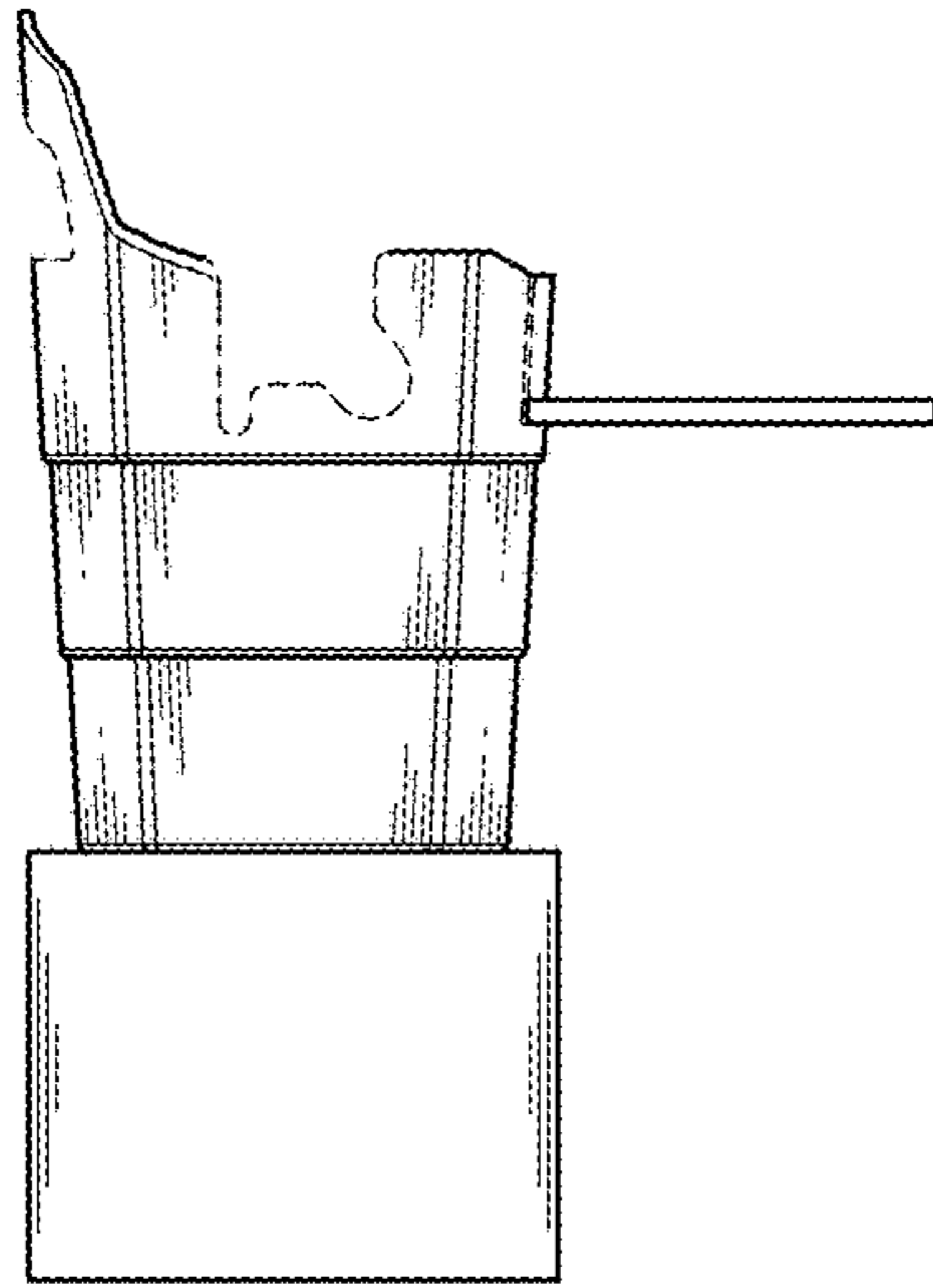


FIG. 4

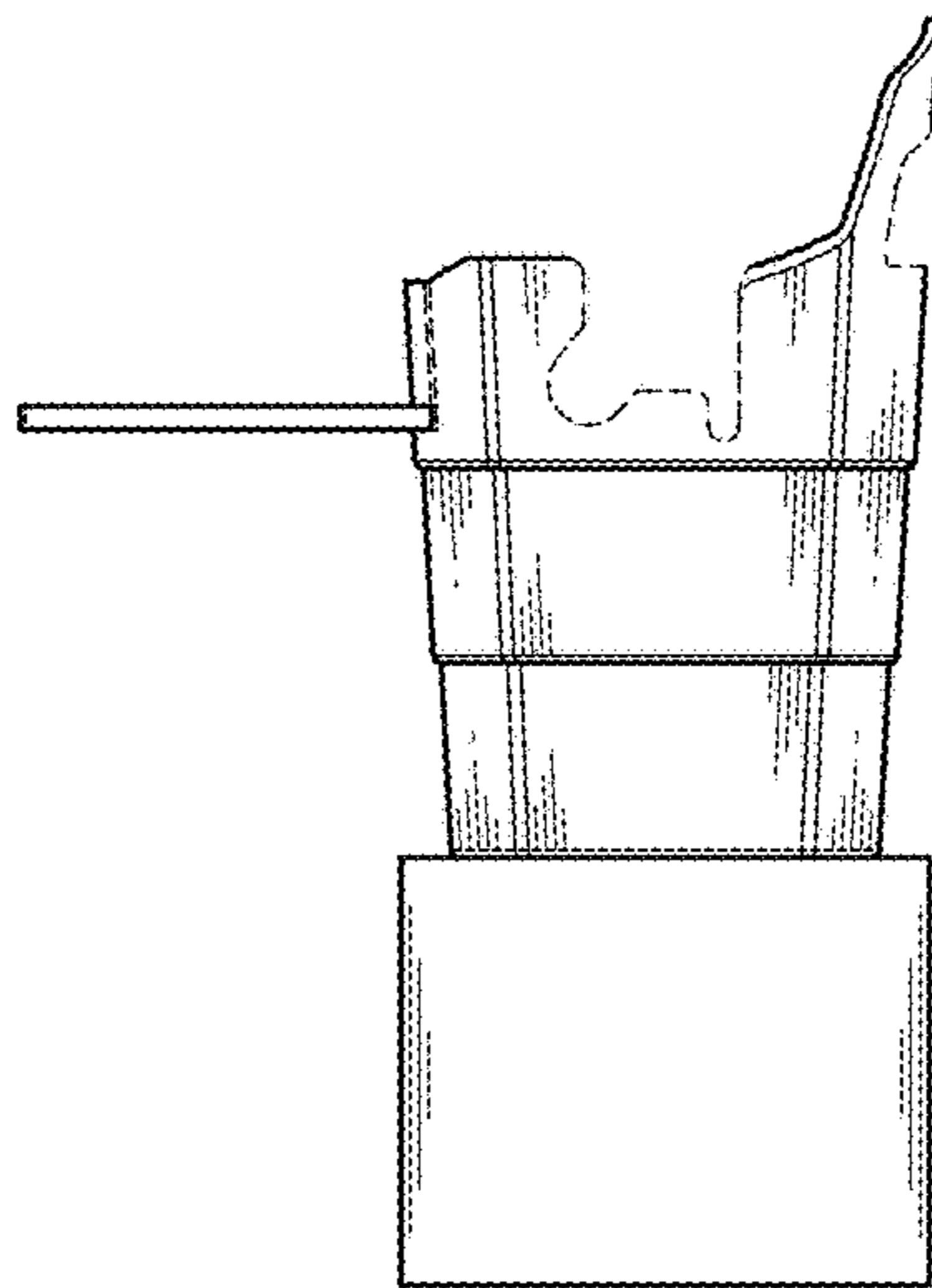


FIG. 5

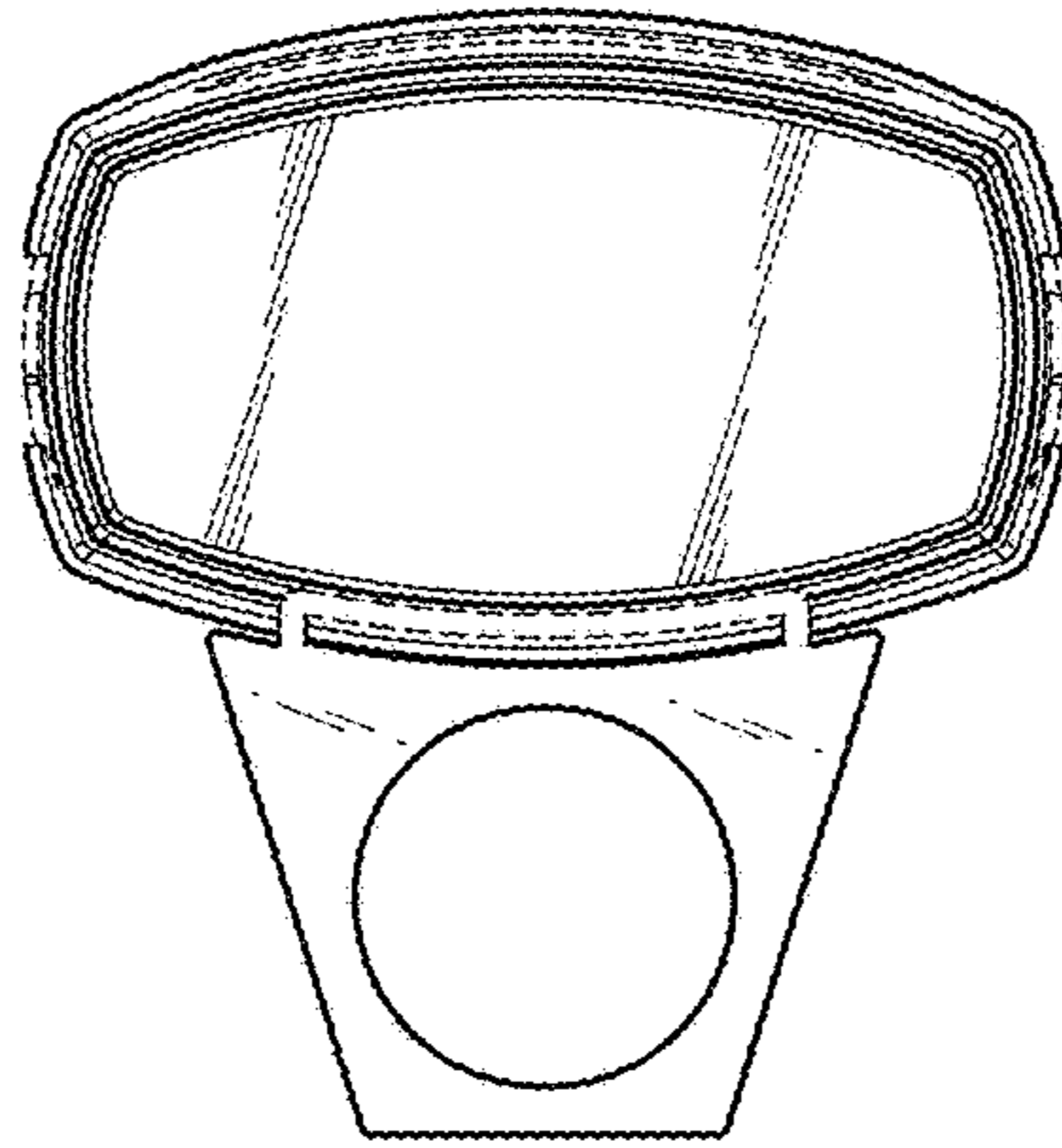


FIG. 6

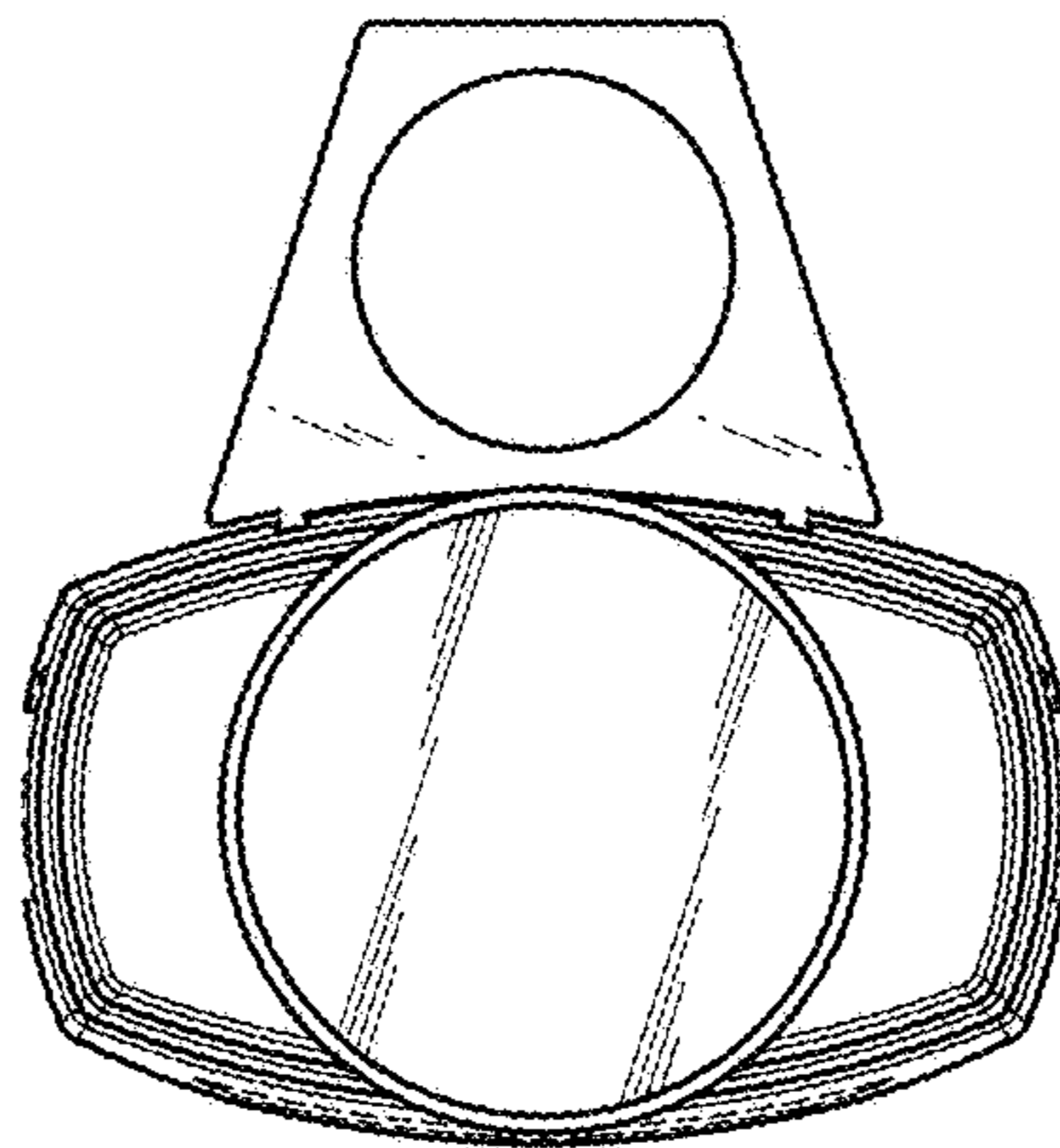


FIG. 7